



US00D586413S

(12) **United States Design Patent**
D'Eath

(10) **Patent No.:** **US D586,413 S**

(45) **Date of Patent:** **** Feb. 10, 2009**

(54) **GOLF PUTTER**

(76) **Inventor:** **Roger A D'Eath**, 120 Grand Oak Cir.,
Venice, FL (US) 34292

(**) **Term:** **14 Years**

(21) **Appl. No.:** **29/297,799**

(22) **Filed:** **Nov. 19, 2007**

(51) **LOC (9) Cl.** **21-02**

(52) **U.S. Cl.** **D21/735; D21/736**

(58) **Field of Classification Search** **D21/735-746;**
473/324-331, 340-341, 251-256

See application file for complete search history.

(56) **References Cited**

U.S. PATENT DOCUMENTS

D323,867 S *	2/1992	Rizzotto	D21/740
D457,210 S *	5/2002	Noda	D21/736
D488,526 S *	4/2004	Souza et al.	D21/738
D505,702 S *	5/2005	Wood	D21/736
D507,612 S *	7/2005	Souza et al.	D21/738
D517,143 S *	3/2006	Petsel et al.	D21/742
D536,758 S *	2/2007	Blankenship	D21/736
D537,134 S *	2/2007	Imamoto	D21/736

D538,364 S *	3/2007	Frame et al.	D21/736
D539,370 S *	3/2007	Imamoto	D21/736
D541,894 S *	5/2007	Imamoto	D21/736
D564,053 S *	3/2008	Blankenship	D21/736

* cited by examiner

Primary Examiner—Mitchell I Siegel

(57) **CLAIM**

The ornamental design for a golf putter, as shown and described.

DESCRIPTION

FIG. 1 is a perspective view of a golf putter, showing my new design;

FIG. 2 is a front elevational view of the invention;

FIG. 3 is a rear elevational view of the invention;

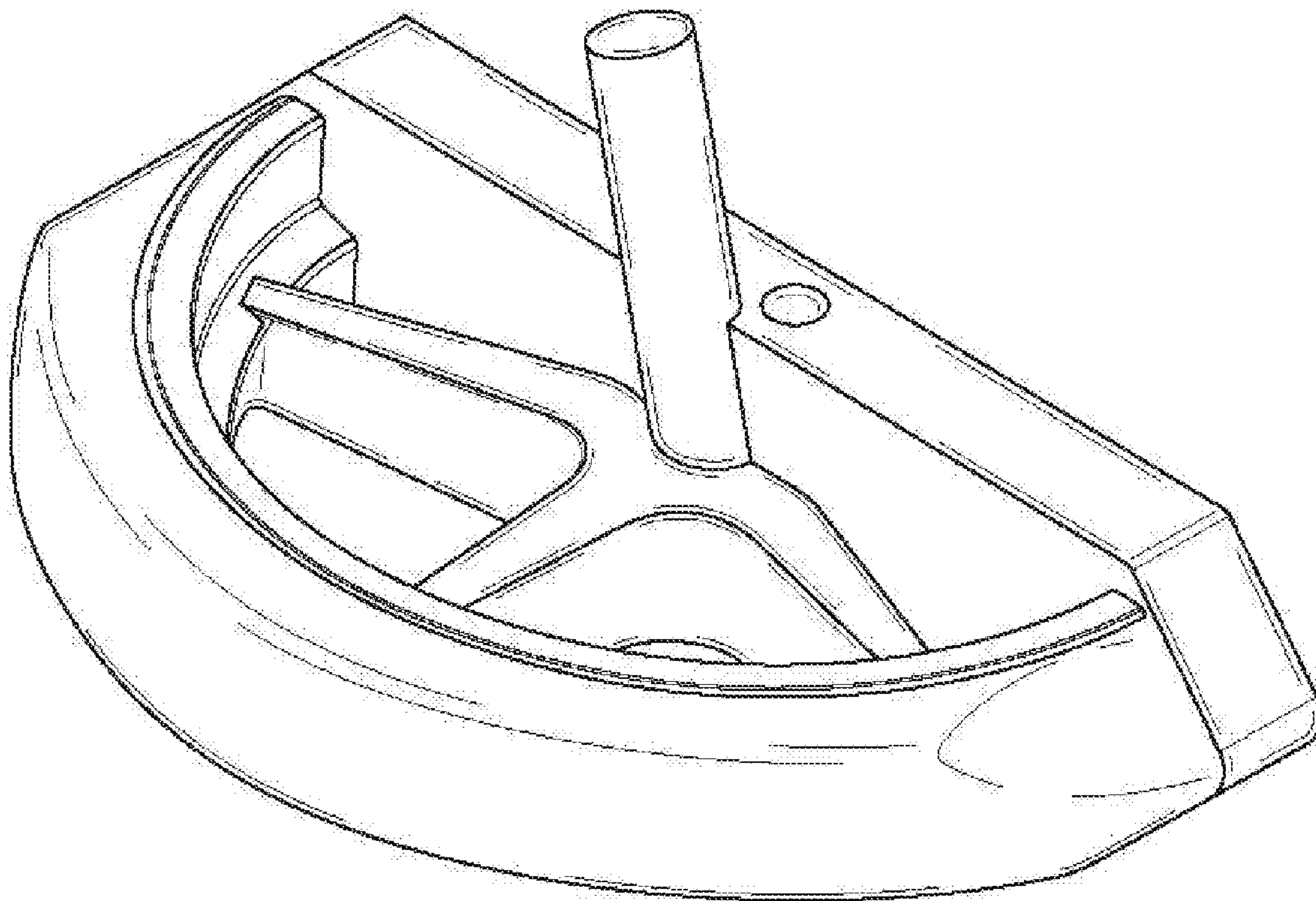
FIG. 4 is a left-side elevational view of the invention;

FIG. 5 is a right-side elevational view of the invention;

FIG. 6 is a top plan view of the invention; and,

FIG. 7 is a bottom plan view of the invention.

1 Claim, 2 Drawing Sheets



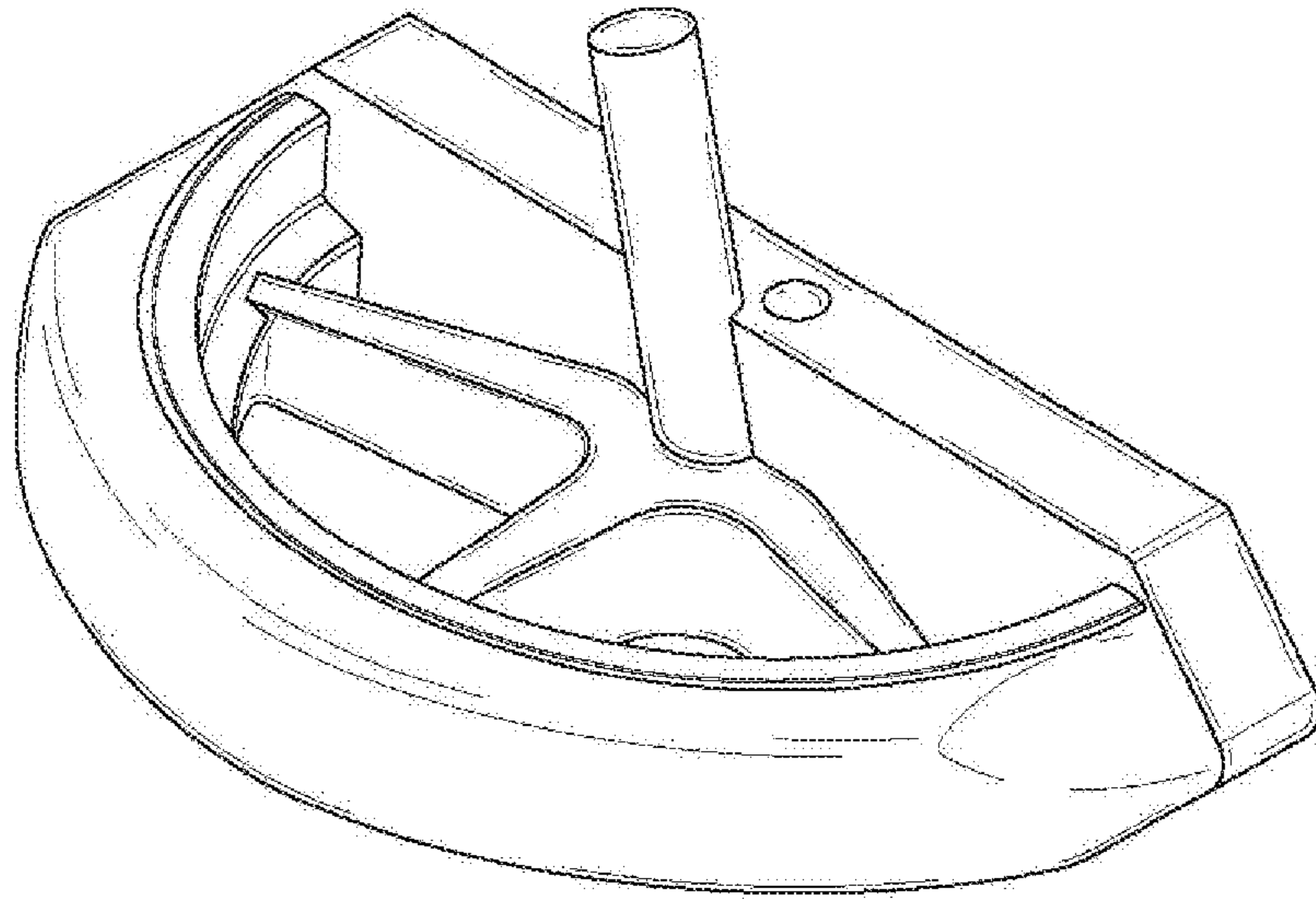


FIG. 1

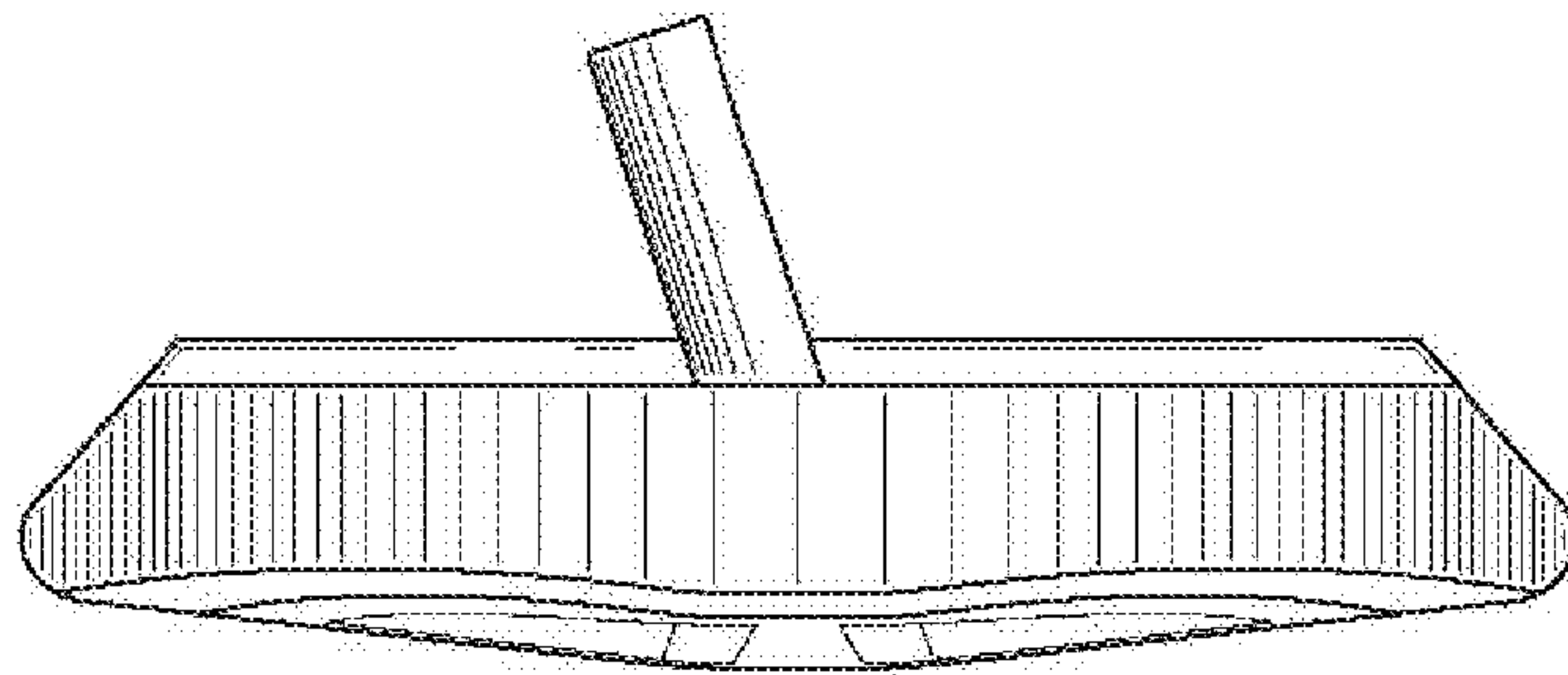


FIG. 2

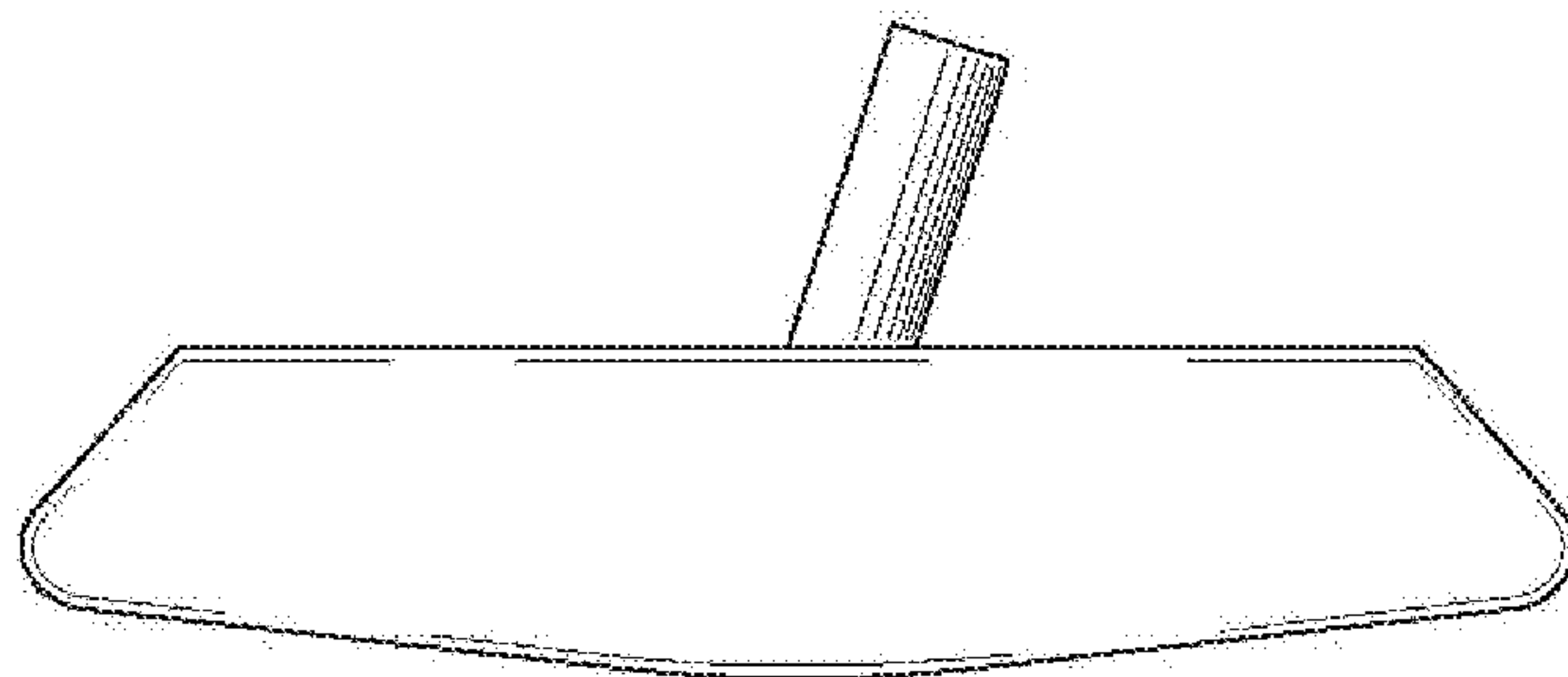


FIG. 3

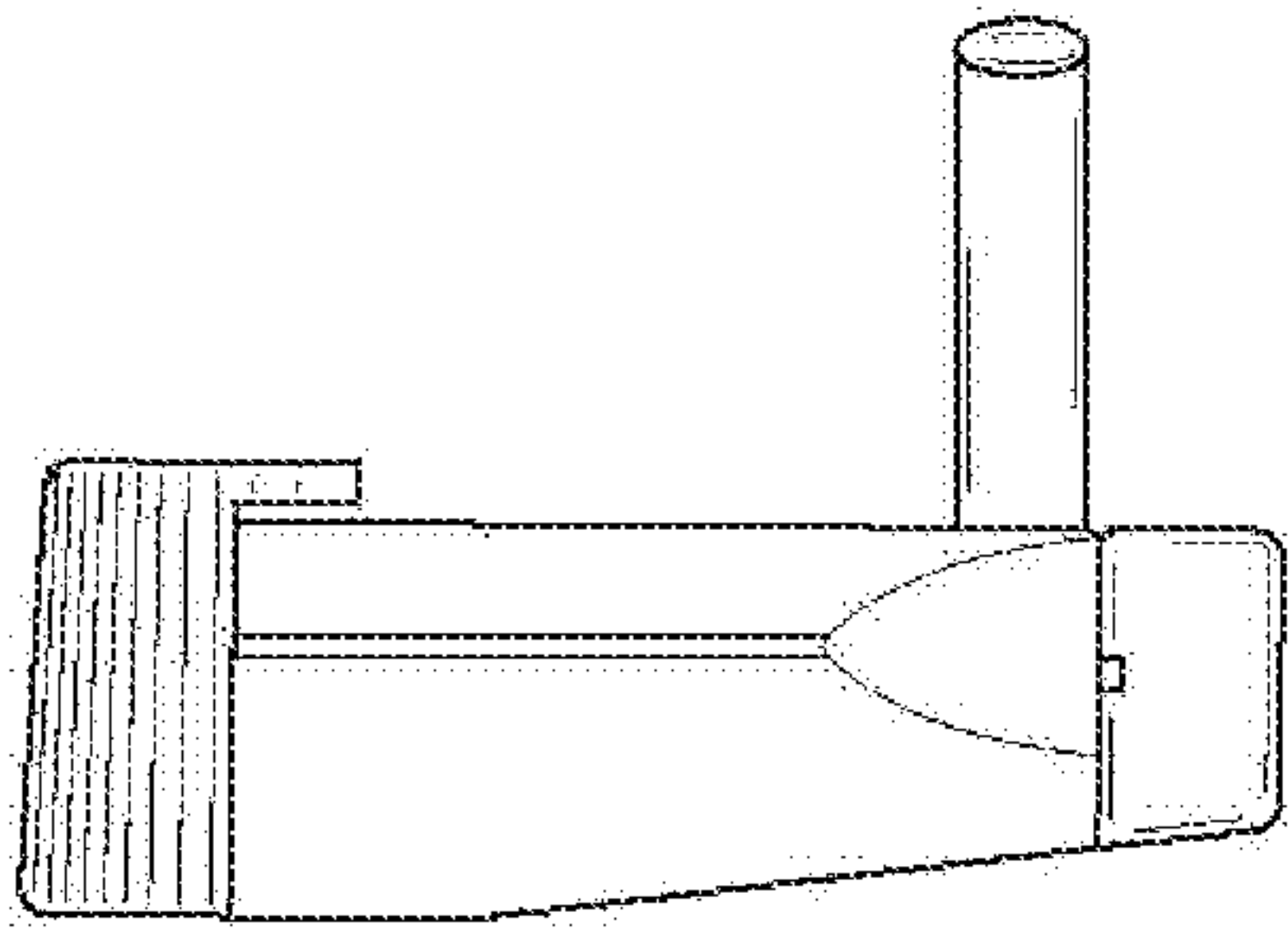


FIG. 4

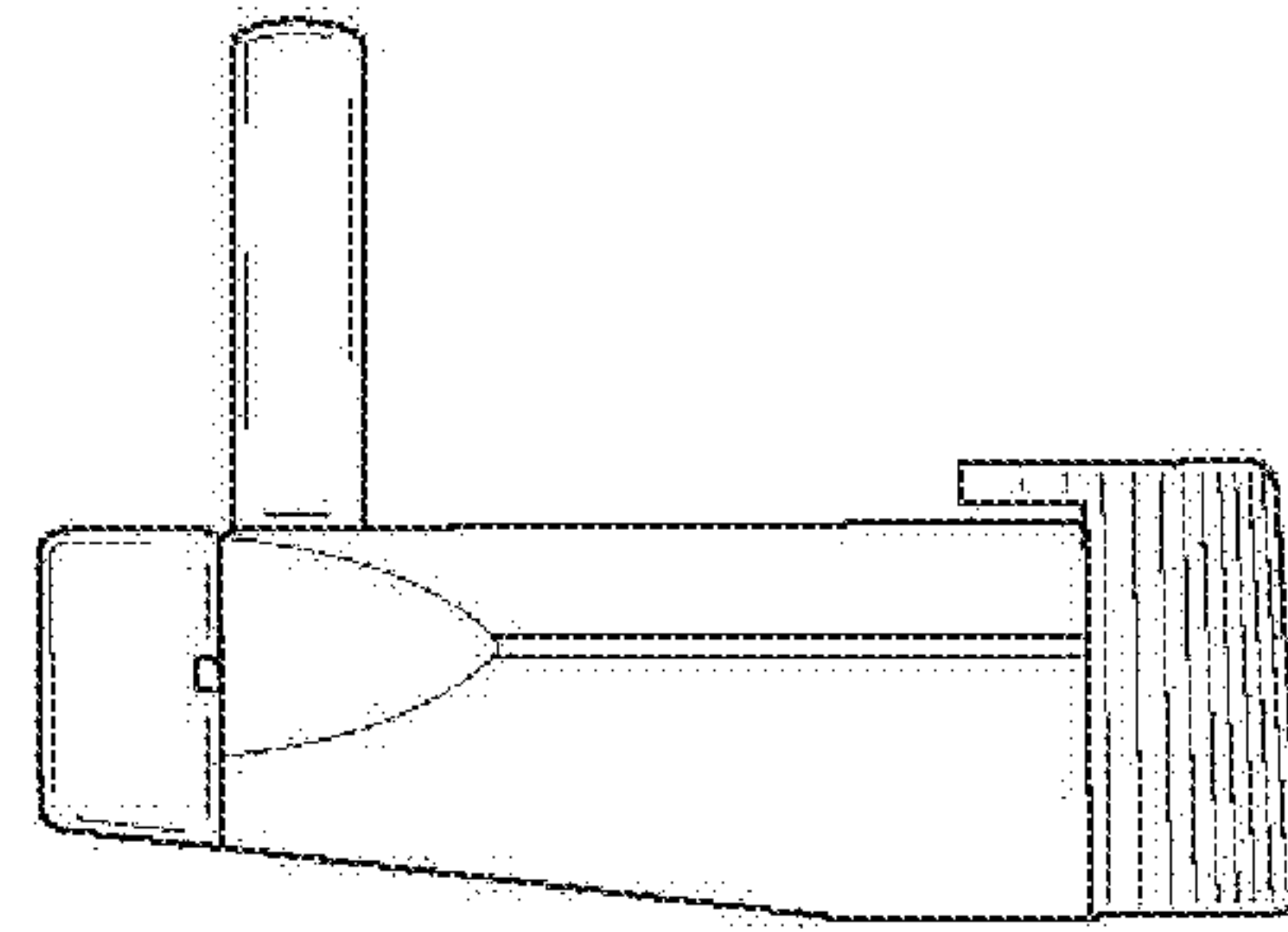


FIG. 5

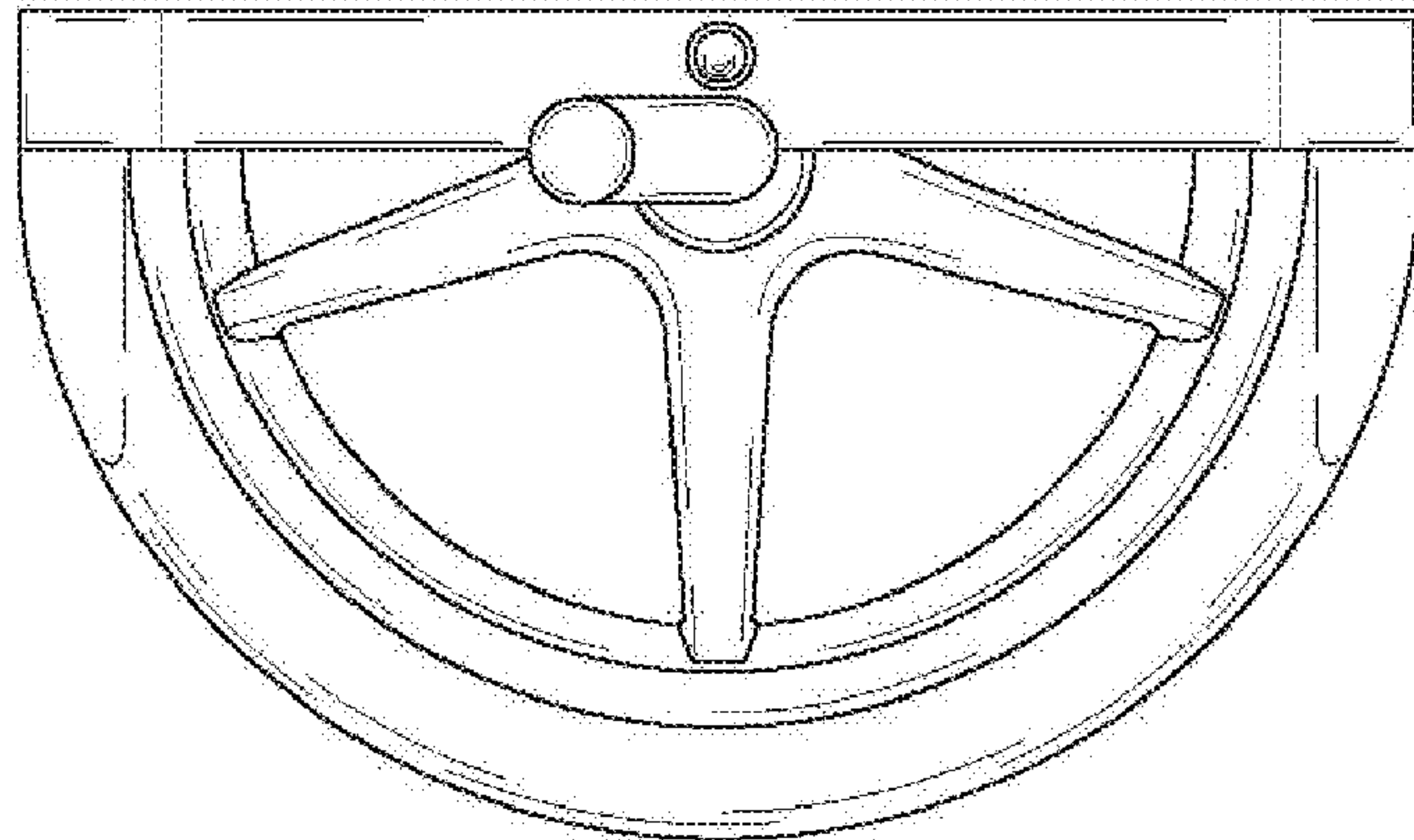


FIG. 6

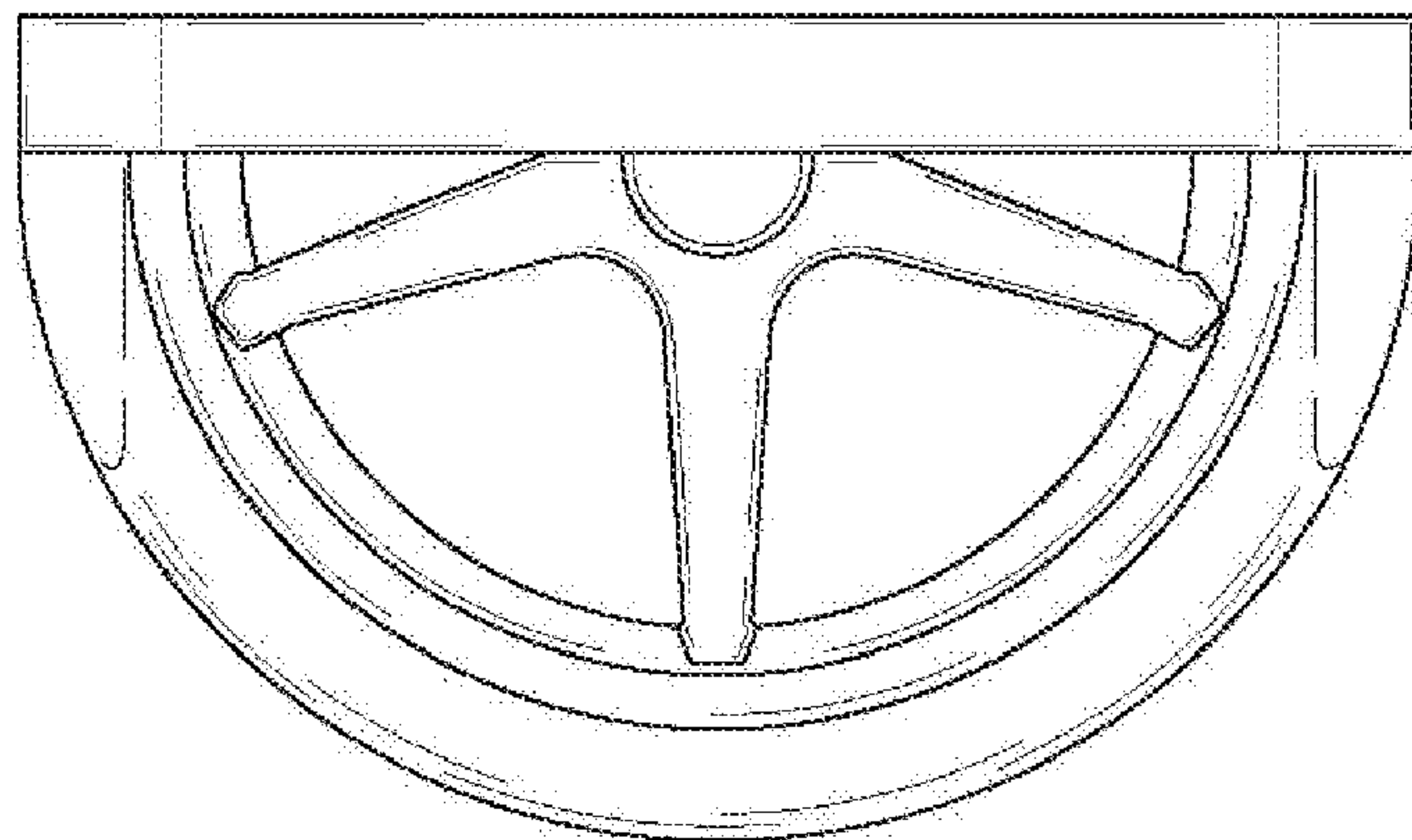


FIG. 7