



US00D586409S

(12) **United States Design Patent**
Keiser

(10) **Patent No.:** **US D586,409 S**
(45) **Date of Patent:** **** Feb. 10, 2009**

(54) **EXERCISE BIKE**

(75) Inventor: **Dennis L. Keiser**, Sanger, CA (US)

(73) Assignee: **Keiser Corporation**, Fresno, CA (US)

(**) Term: **14 Years**

(21) Appl. No.: **29/280,842**

(22) Filed: **Jun. 8, 2007**

(51) **LOC (9) Cl.** **21-02**

(52) **U.S. Cl.** **D21/667**

(58) **Field of Classification Search** D21/662,
D21/663, 664, 665, 666, 667, 668, 669, 694,
D21/697; 482/51, 57, 64, 65

See application file for complete search history.

(56) **References Cited**

U.S. PATENT DOCUMENTS

D280,226 S *	8/1985	Kasuba et al.	D21/667
D281,711 S	12/1985	Hiivola		
D291,462 S	8/1987	Aalto		
D296,457 S *	6/1988	Anitua	D21/667
D299,732 S *	2/1989	Gustafsson	D21/667
D372,284 S *	7/1996	Wang et al.	D21/667
D380,796 S *	7/1997	Wang et al.	D21/667
D382,925 S *	8/1997	Wu	D21/667
5,961,424 A *	10/1999	Warner et al.	482/63
D430,240 S	8/2000	Chang		
D460,794 S	7/2002	Baker		
D473,602 S *	4/2003	Baudhuin et al.	D21/697

6,612,970 B2 *	9/2003	Forcillo	482/57
6,669,603 B1	12/2003	Forcillo		
7,172,532 B2 *	2/2007	Baker	482/57
7,175,570 B2 *	2/2007	Lull et al.	482/57

* cited by examiner

Primary Examiner—Philip S Hyder

(74) *Attorney, Agent, or Firm*—Knobbe Martens Olson & Bear LLP

(57) **CLAIM**

The ornamental designs for an exercise bike, as shown and described herein.

DESCRIPTION

FIG. 1 is a perspective view of an exercise bike configured in accordance with a preferred embodiment of the present invention;

FIG. 2 is a right side elevational view thereof;

FIG. 3 is a left side elevational view thereof;

FIG. 4 is a front elevational view thereof;

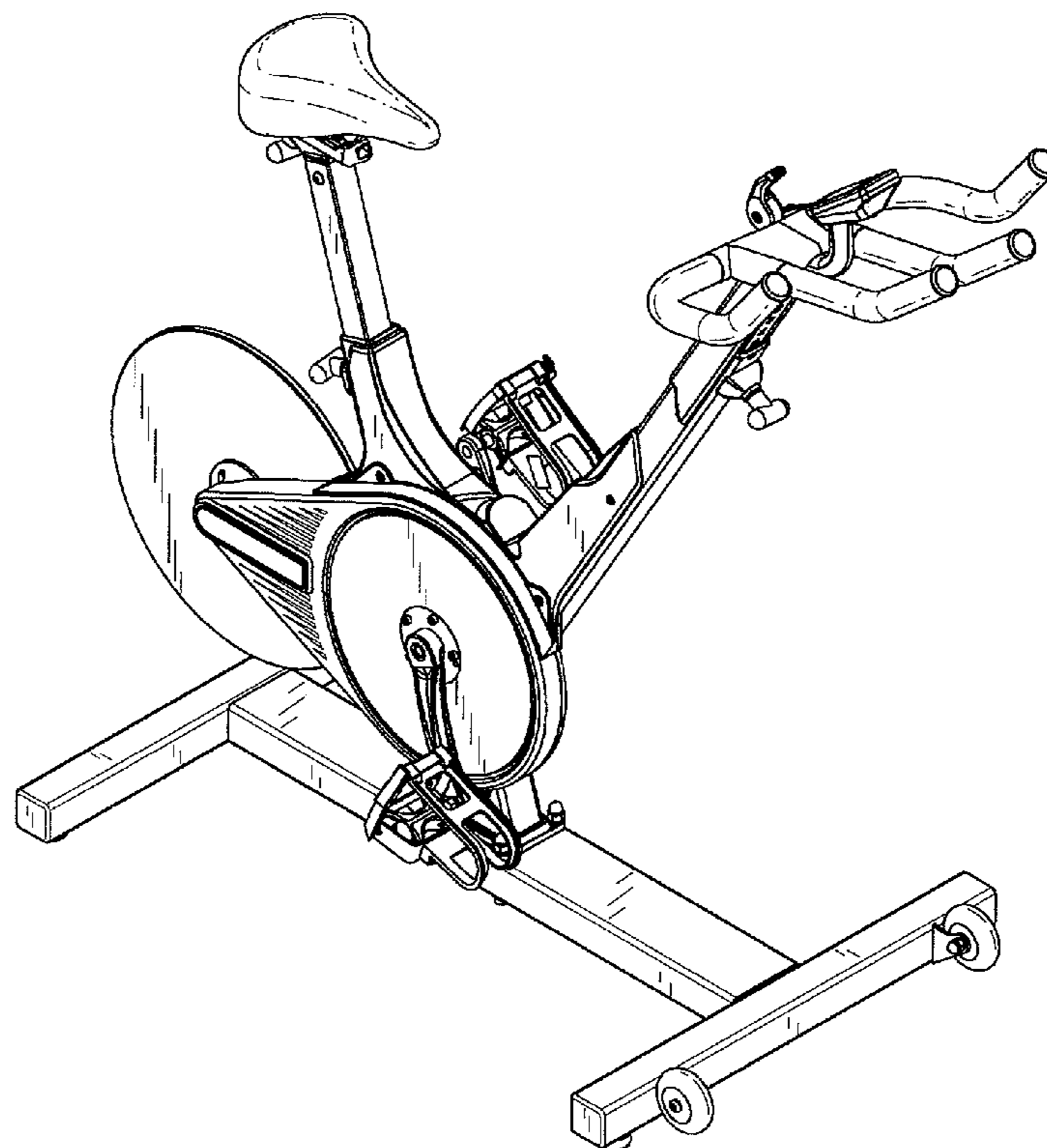
FIG. 5 is a rear view thereof;

FIG. 6 is a top elevational view thereof; and,

FIG. 7 is a bottom elevational view thereof.

Broken lines, where utilized, are for illustrative purposes only and are not intended to limit the claimed design to the features shown in broken lines.

1 Claim, 4 Drawing Sheets



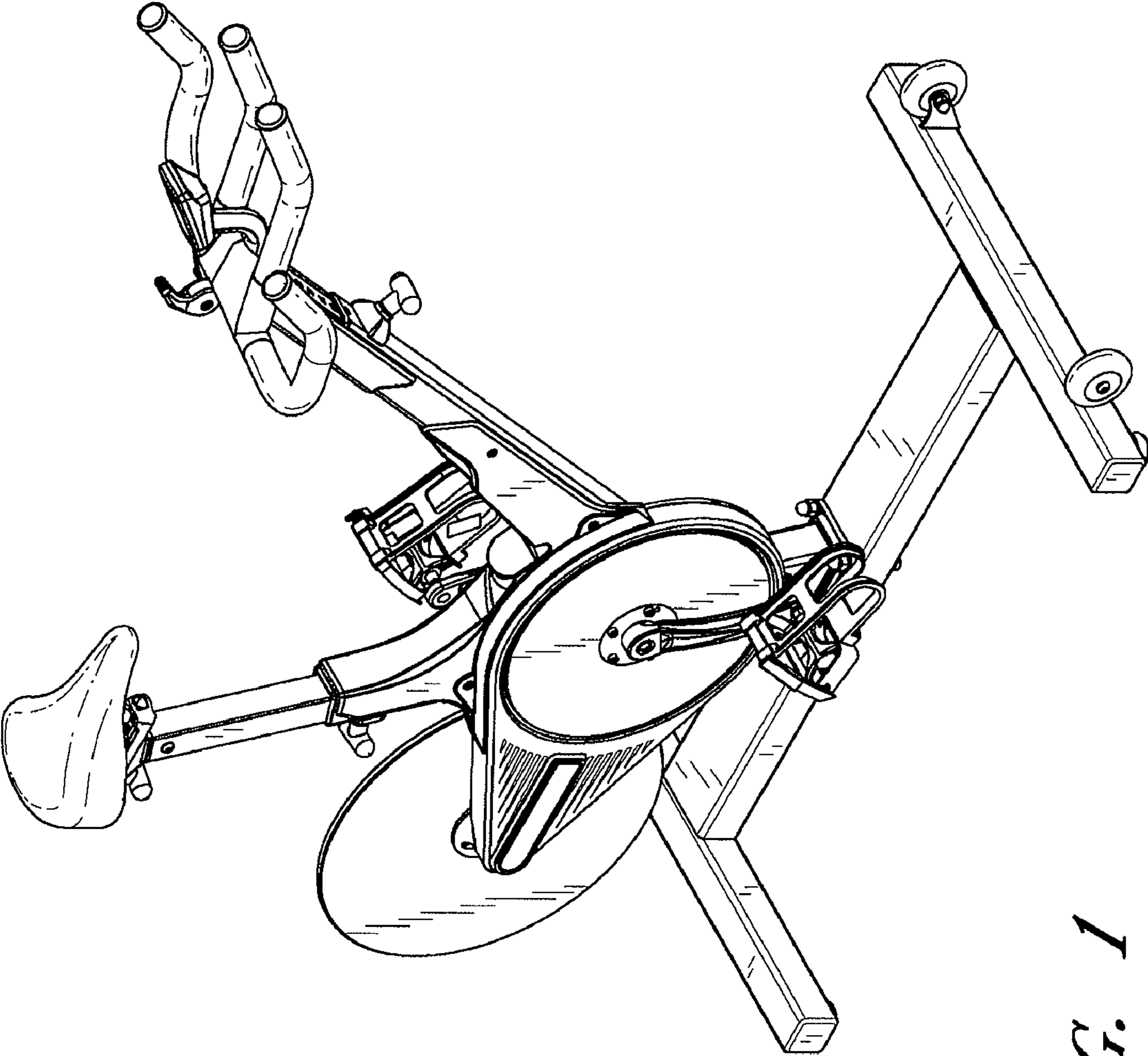


FIG. 1

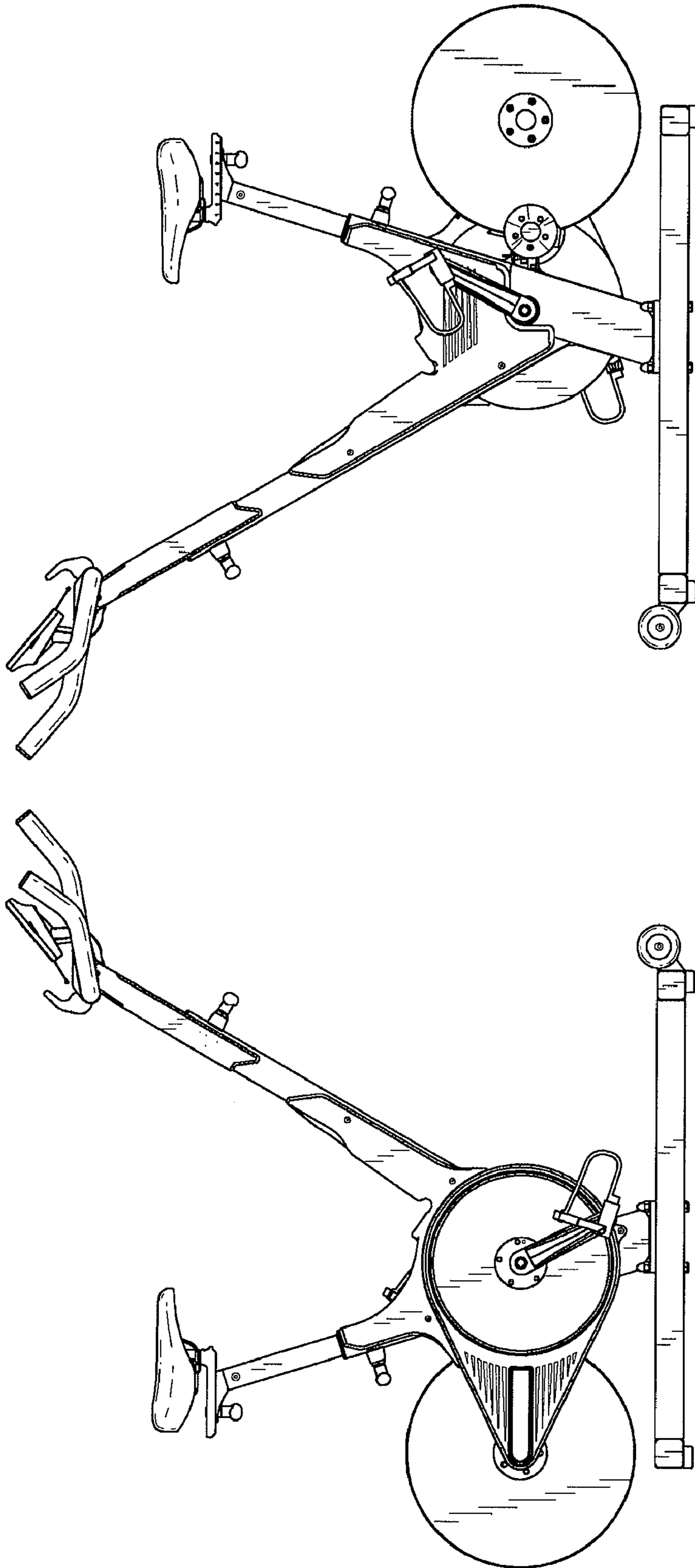


FIG. 3

FIG. 2

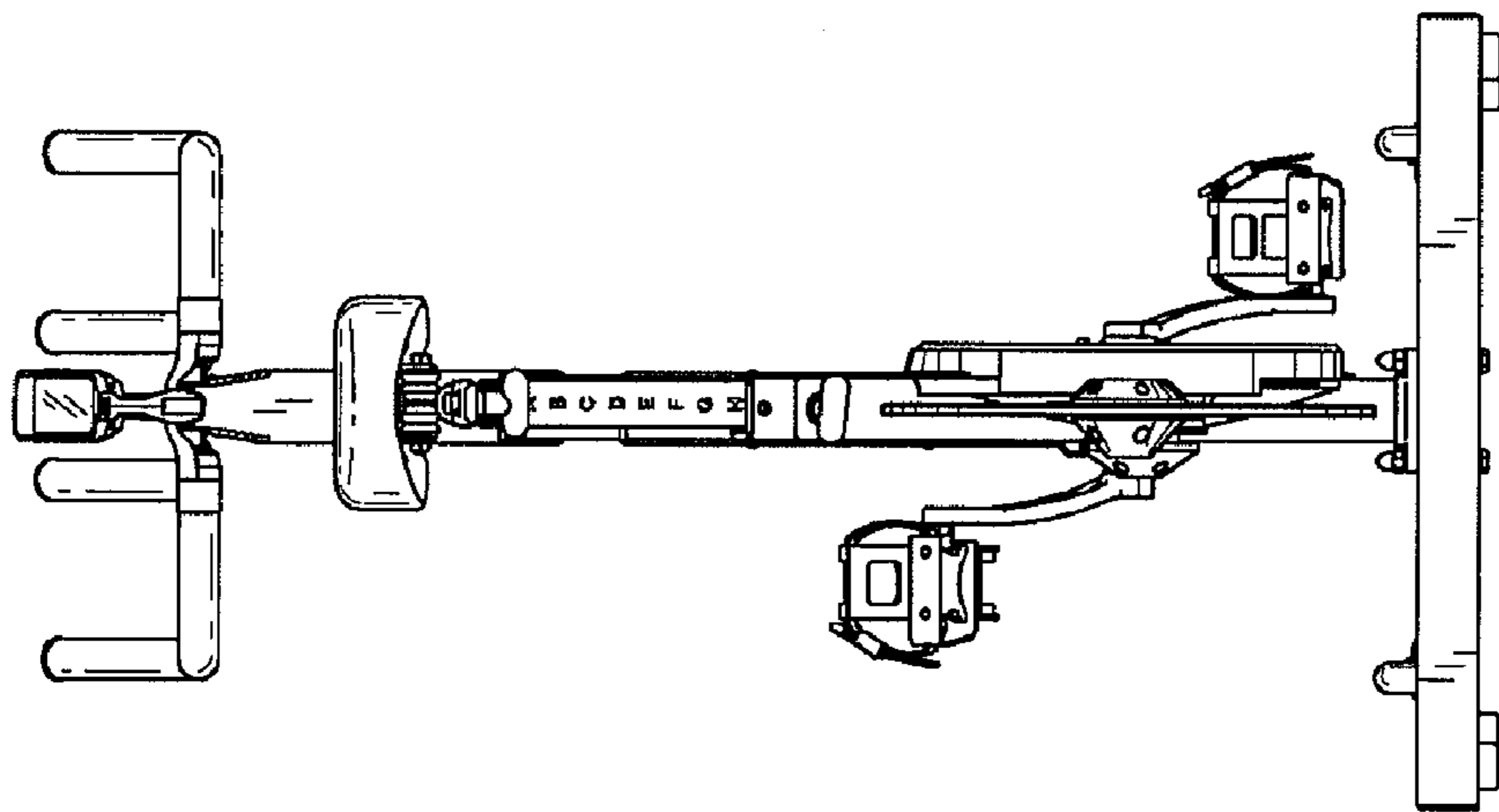


FIG. 4

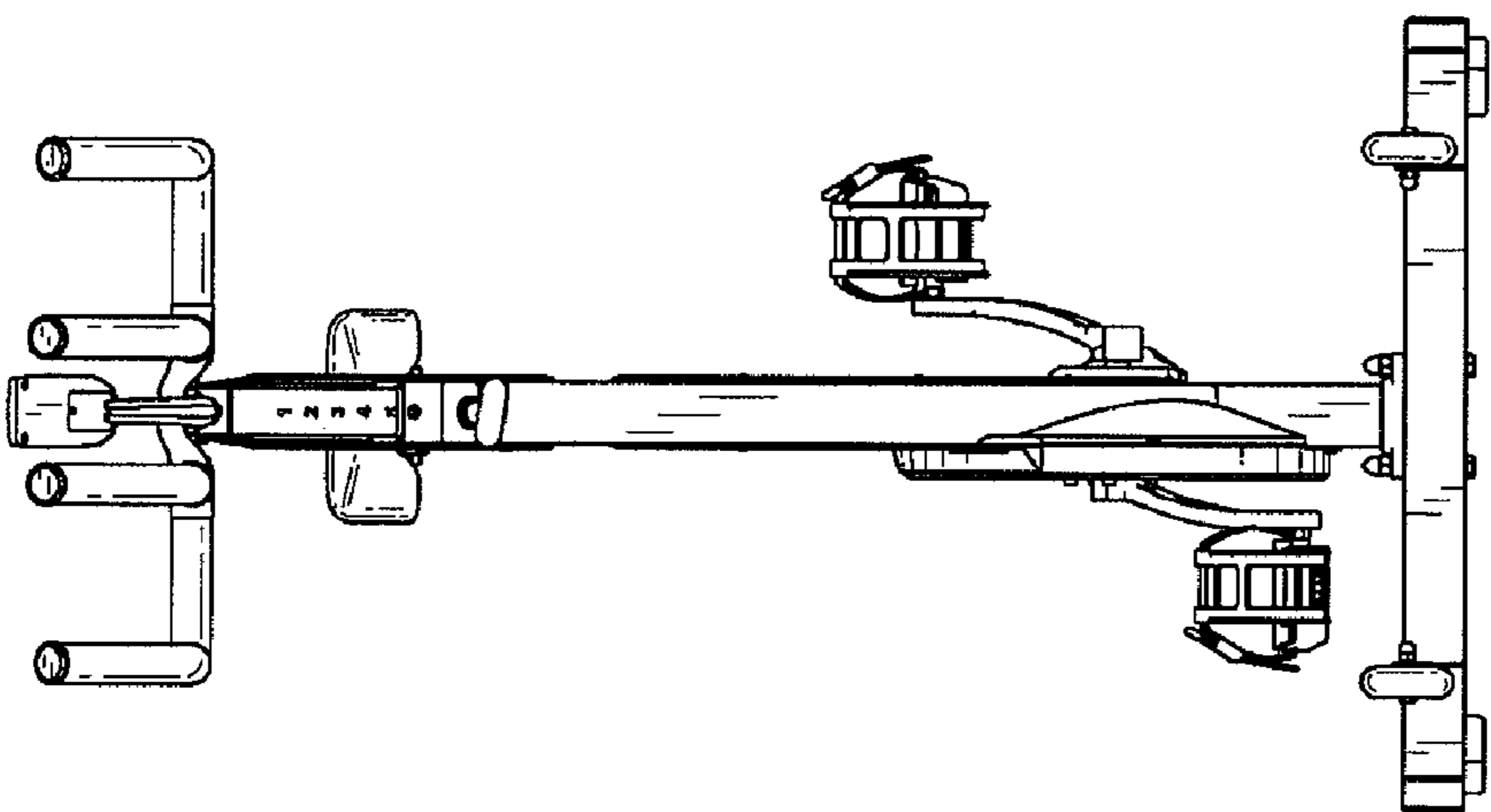


FIG. 5

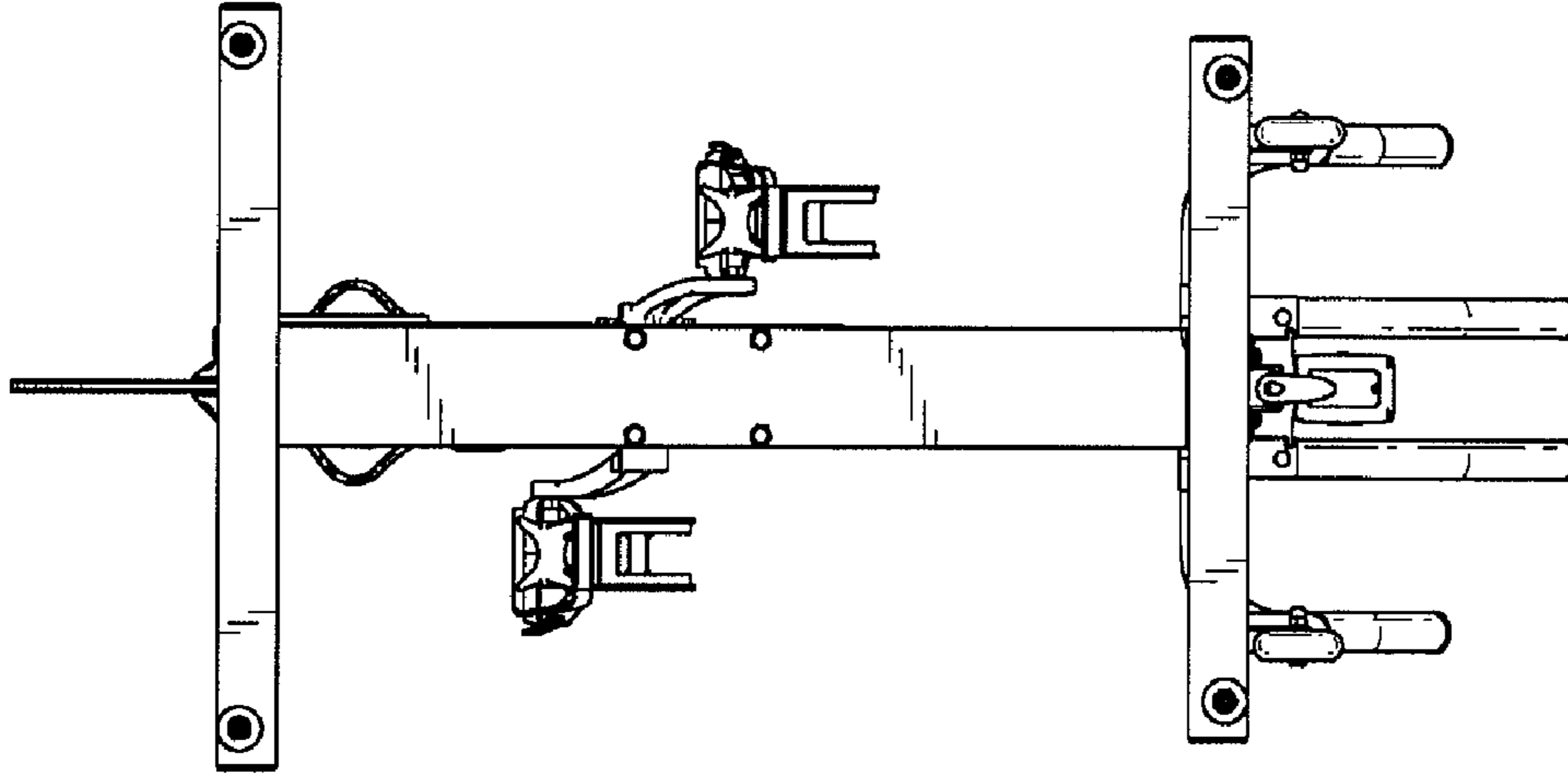


FIG. 6

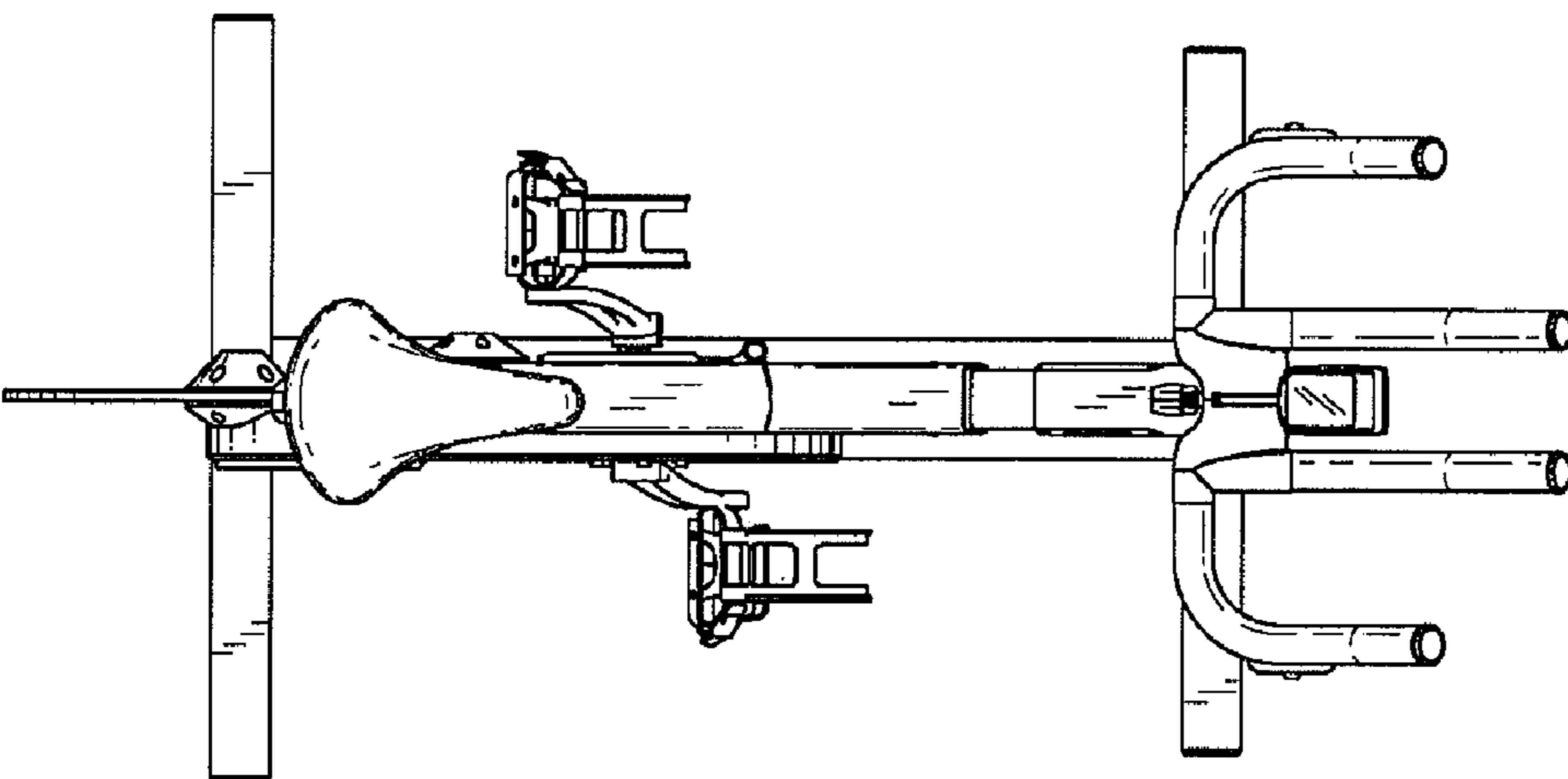


FIG. 7