



US00D586390S

(12) **United States Design Patent**
Stockstill et al.

(10) **Patent No.:** **US D586,390 S**
(45) **Date of Patent:** **** Feb. 10, 2009**

(54) **DEVICE FOR STORING PAPERS OR THE LIKE**

D319,659 S * 9/1991 Moor D19/27
D435,591 S * 12/2000 Wyant D19/27
6,412,819 B1 * 7/2002 Paine et al. 281/29
D504,463 S * 4/2005 Wehmeyer D19/26

(75) Inventors: **Mark Richards Stockstill**, Dayton, OH (US); **Dan Edward Mueller**, Kettering, OH (US); **Greg Wyatt Simmons**, Springboro, OH (US)

(73) Assignee: **MeadWestvaco Corporation**, Glen Allen, VA (US)

* cited by examiner

Primary Examiner—Elizabeth A. Albert
Assistant Examiner—Kelley A Donnelly

(**) Term: **14 Years**

(21) Appl. No.: **29/298,867**

(57) **CLAIM**

(22) Filed: **Dec. 14, 2007**

The ornamental design for a device for storing papers or the like, as shown and described.

Related U.S. Application Data

(62) Division of application No. 29/258,399, filed on Apr. 20, 2006.

DESCRIPTION

(51) **LOC (9) Cl.** **19-04**

(52) **U.S. Cl.** **D19/26**

(58) **Field of Classification Search** D19/26–27, D19/33; D3/247, 294, 299, 303; 40/530, 40/536–537; 206/472, 556; 281/15.1, 29, 281/19.1, 31; 283/63.1, 64

See application file for complete search history.

FIG. 1 is a perspective view of a device for storing papers or the like.

FIG. 2 is a front view of the device of FIG. 1.

FIG. 3 is a left side view of the device of FIG. 1.

FIG. 4 is a right side view of the device of FIG. 1; and,

FIG. 5 is a top view of the device of FIG. 1.

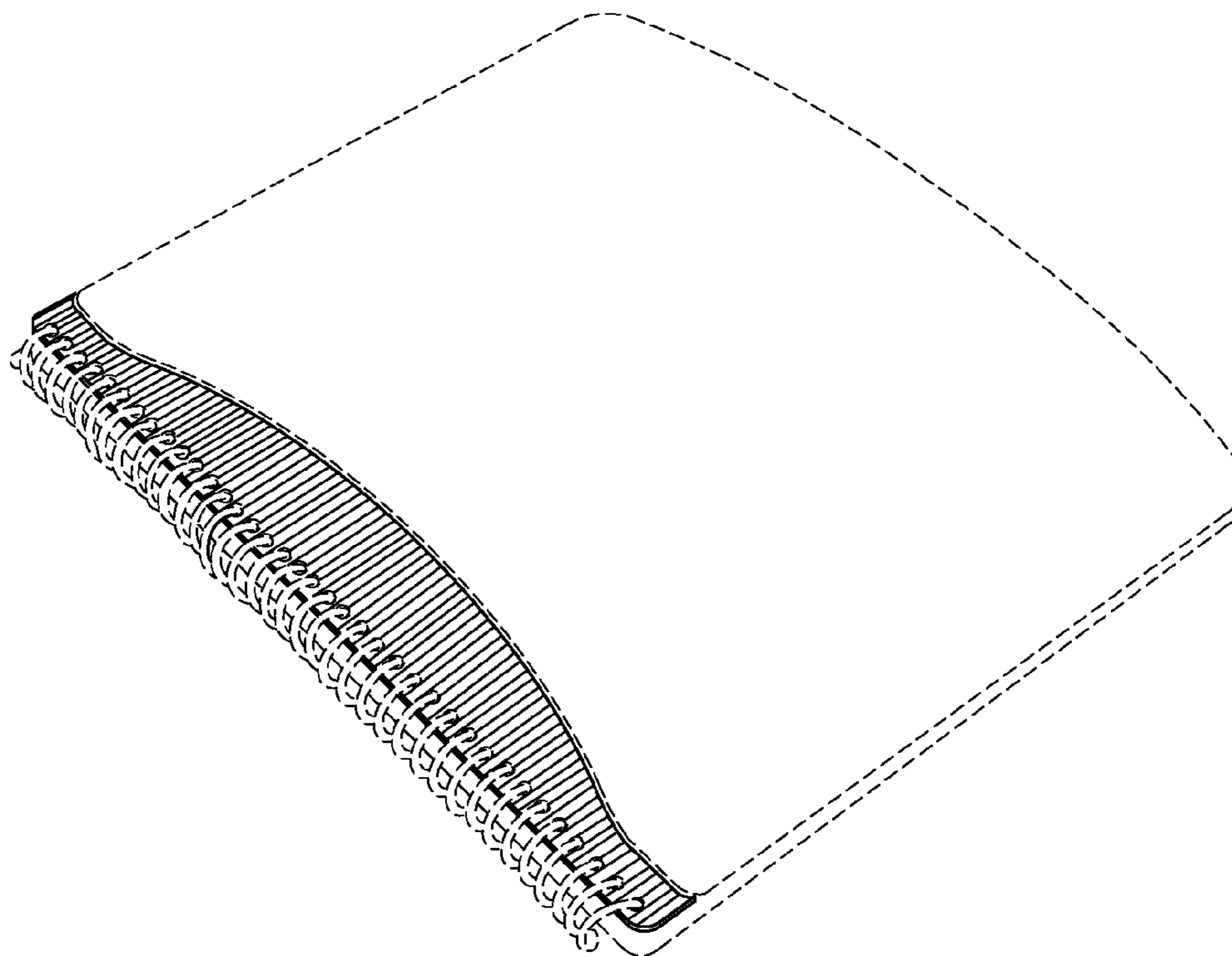
The broken lines are for environmental purposes only and form no part of the claimed design.

(56) **References Cited**

U.S. PATENT DOCUMENTS

D313,619 S * 1/1991 Moor D19/27
5,015,011 A * 5/1991 York 281/18

1 Claim, 3 Drawing Sheets



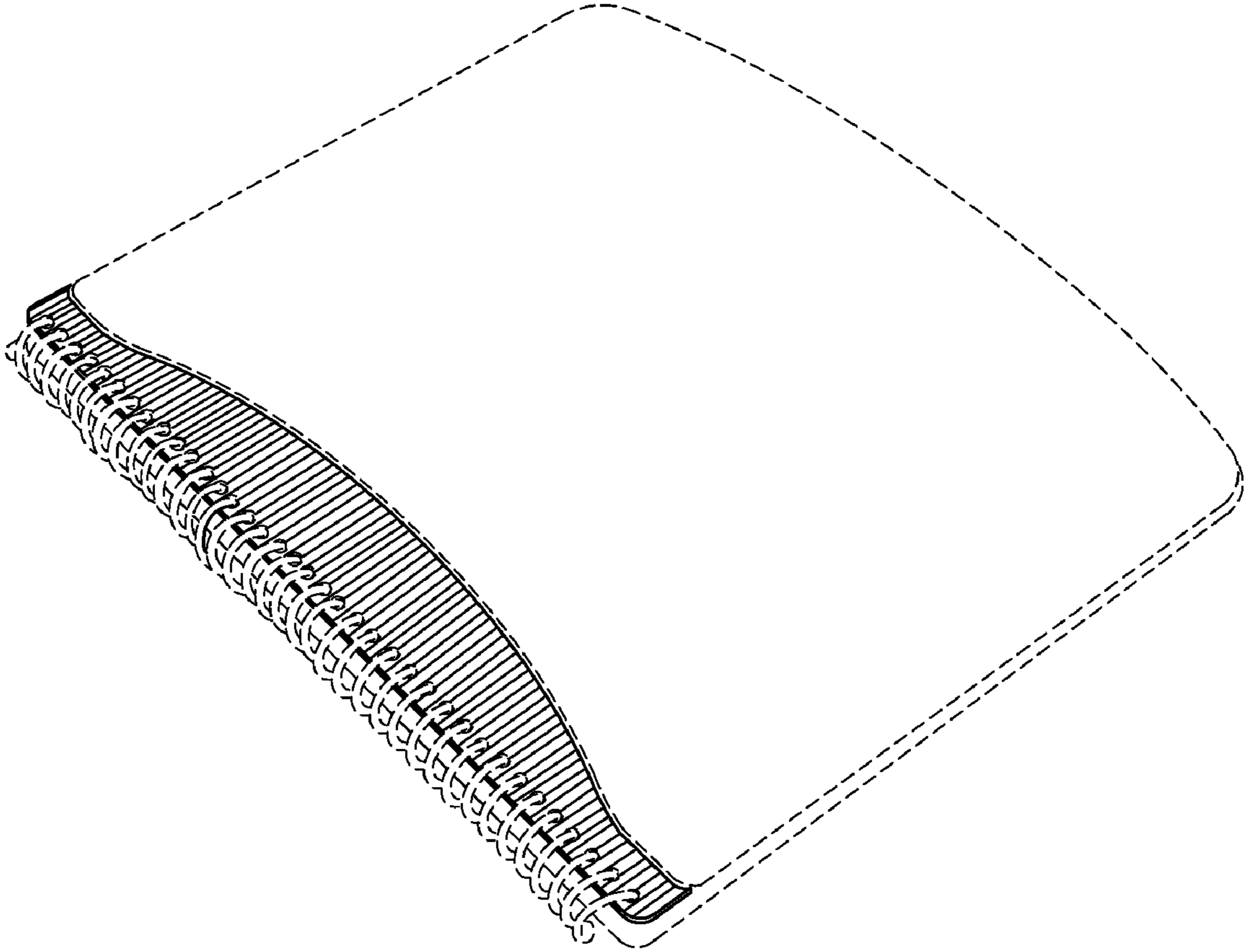


FIG. 1

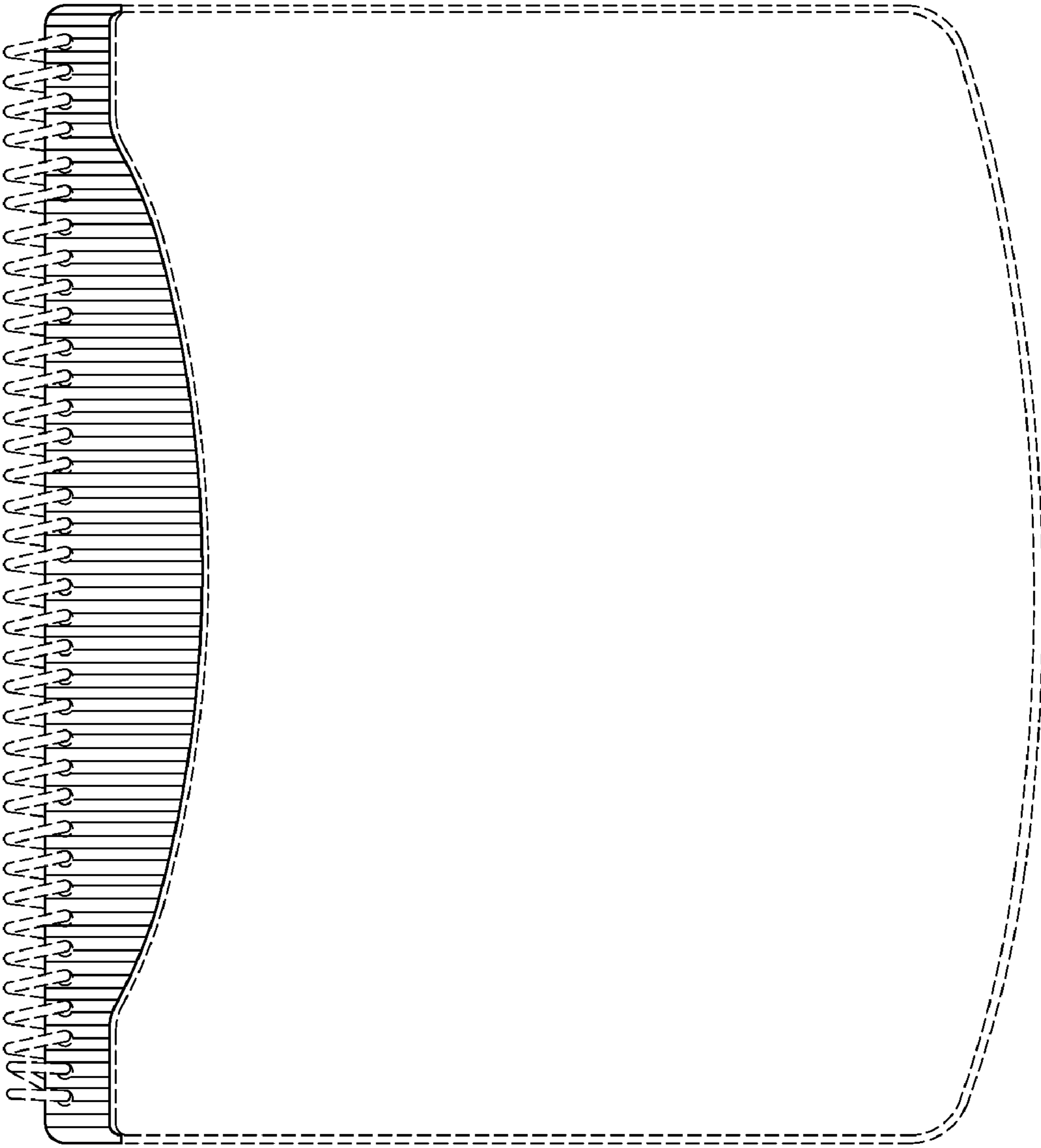


FIG. 2

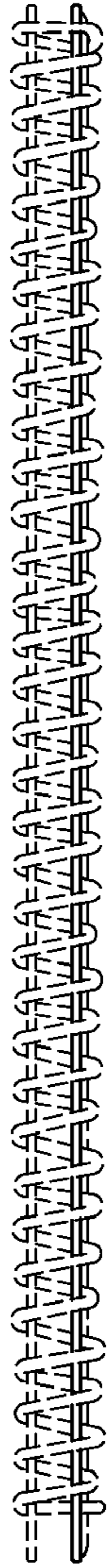


FIG. 3

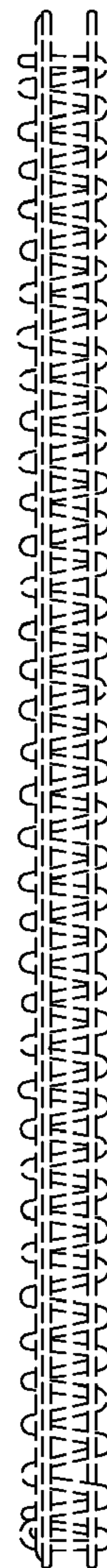


FIG. 4

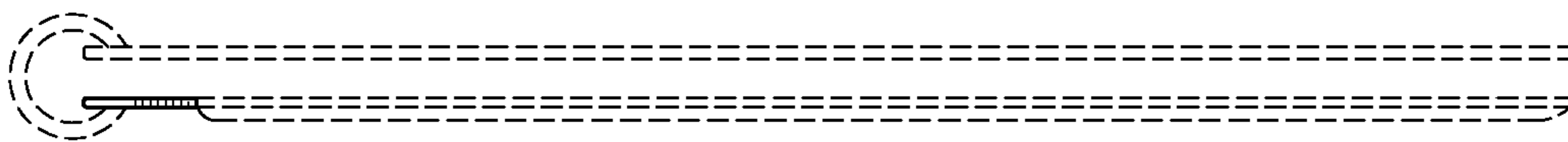


FIG. 5