



US00D586388S

(12) **United States Design Patent**  
**Pomfret**

(10) **Patent No.:** **US D586,388 S**  
(45) **Date of Patent:** **\*\* Feb. 10, 2009**

(54) **POSTAL METER INK-JET CARTRIDGE**

D575,331 S \* 8/2008 Yuen ..... D18/56  
2004/0218022 A1 \* 11/2004 Silverbrook ..... 347/86

(75) Inventor: **John A. Pomfret**, East Lyme, CT (US)

**FOREIGN PATENT DOCUMENTS**

(73) Assignee: **Dataprint Technology, Inc.**, Woodside, NY (US)

DE	3405164	5/1985
JP	2514	1/1990
JP	4288238	10/1992
JP	58387	1/1993
JP	5162326	6/1993
JP	5254111	10/1993
JP	6115093	4/1994

(\*\*) Term: **14 Years**

(21) Appl. No.: **29/307,157**

\* cited by examiner

(22) Filed: **Apr. 3, 2008**

(51) **LOC (9) Cl.** ..... **18-02**

*Primary Examiner*—Cathy Anne MacCormac

(52) **U.S. Cl.** ..... **D18/56**

(74) *Attorney, Agent, or Firm*—Ira S. Dorman

(58) **Field of Classification Search** ..... D18/40,  
D18/43, 51, 56; 347/86-87

(57) **CLAIM**

See application file for complete search history.

The ornamental design for a postal meter ink-jet cartridge, as shown and described.

(56) **References Cited**

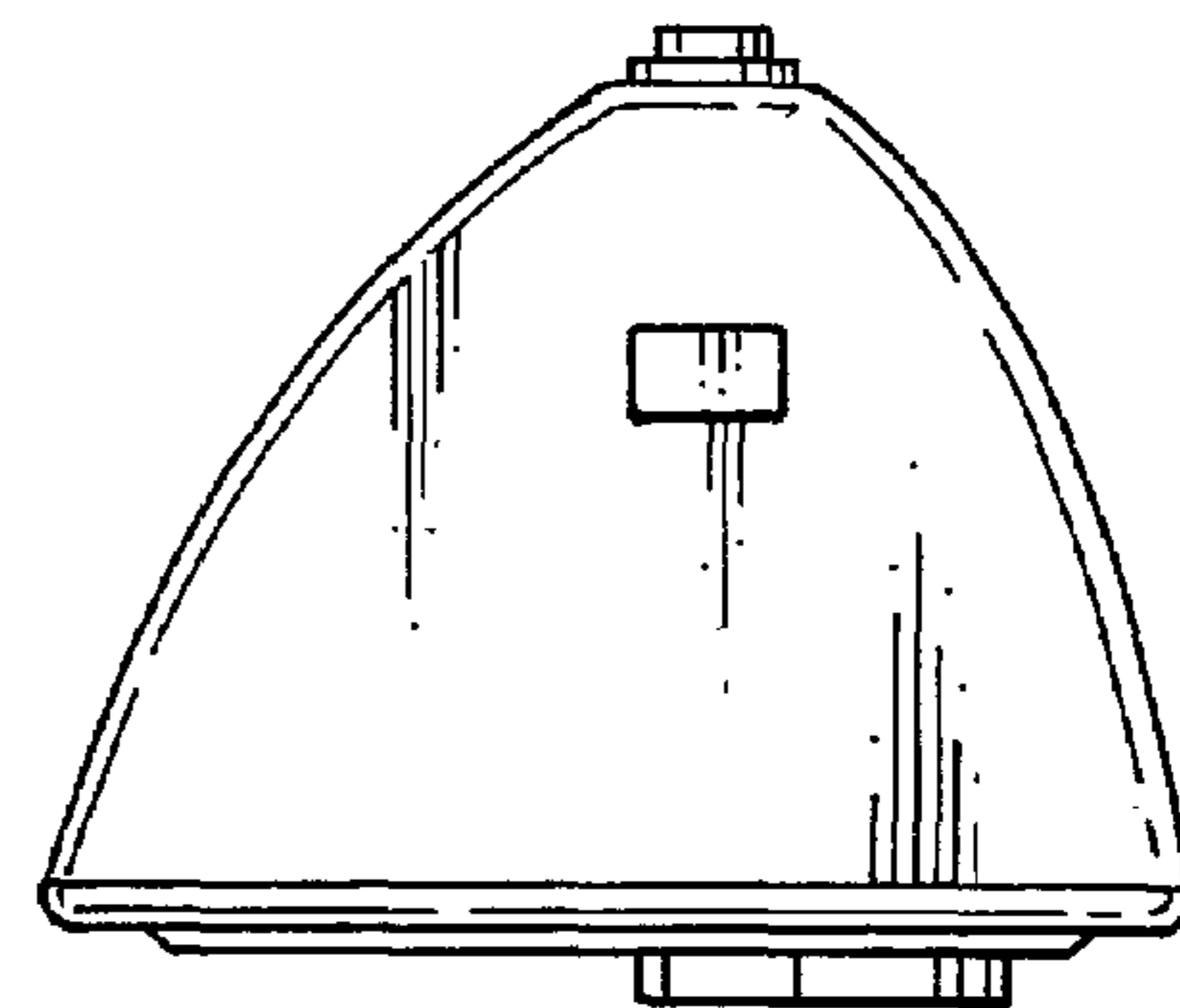
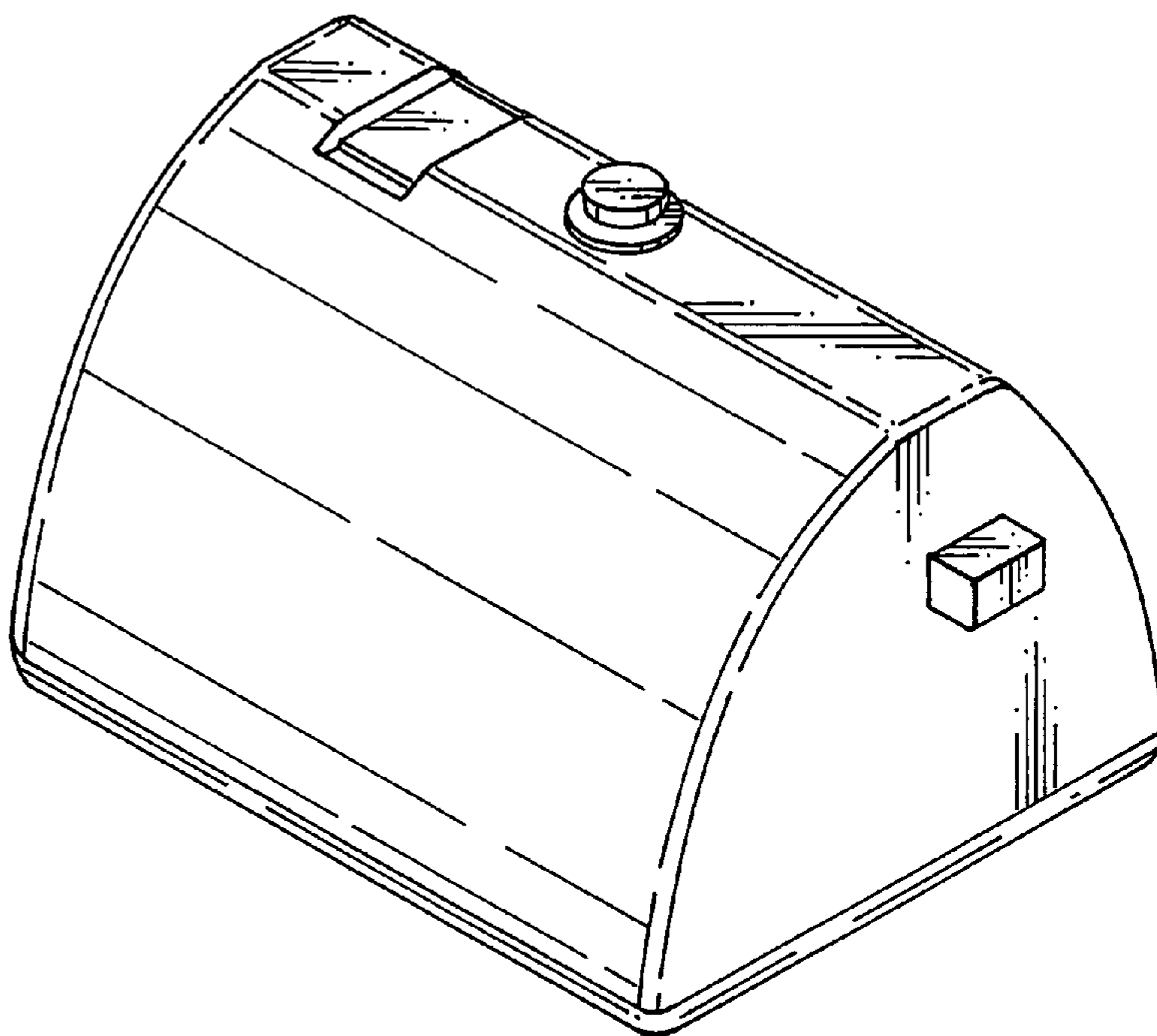
**DESCRIPTION**

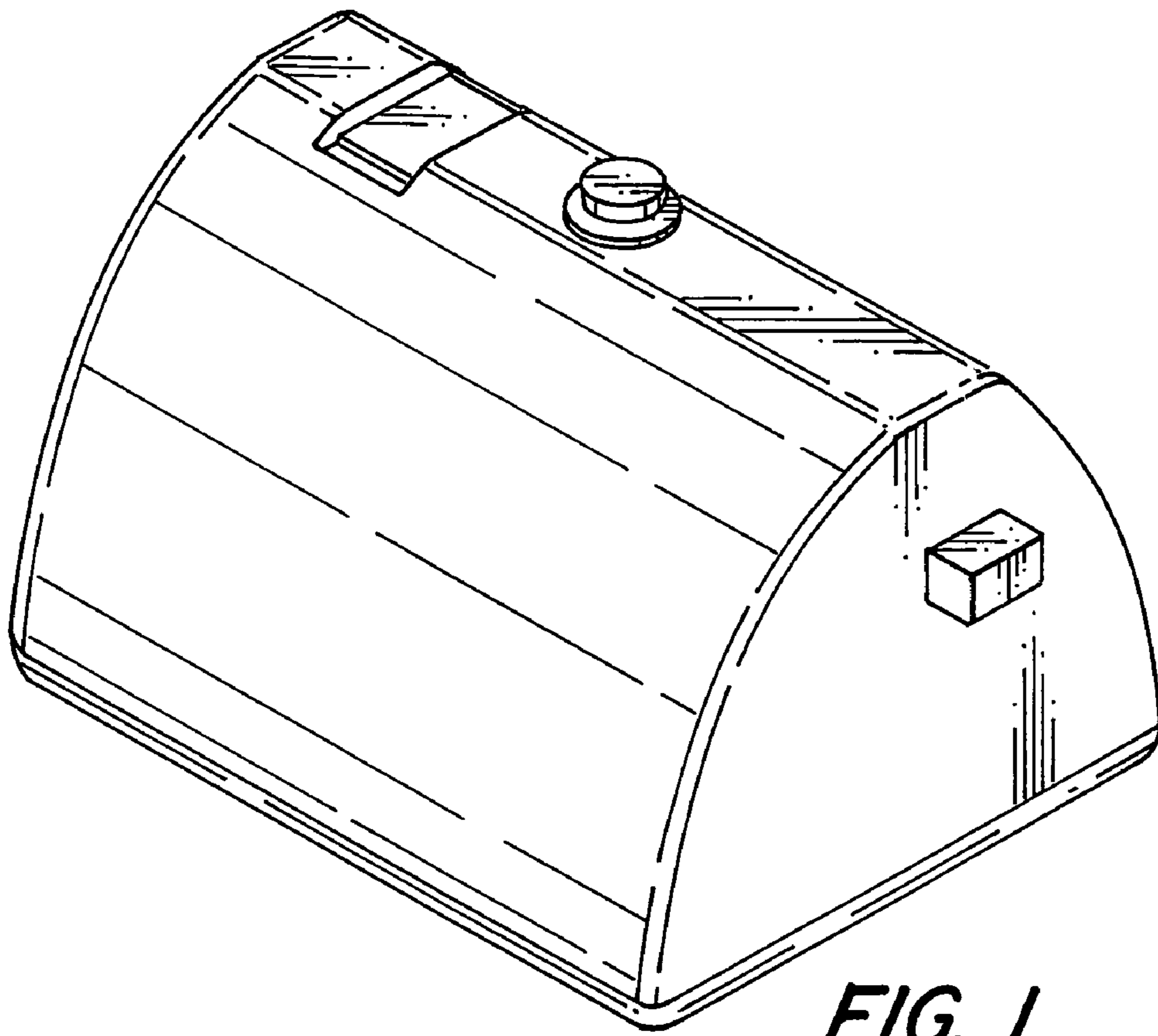
**U.S. PATENT DOCUMENTS**

4,074,284	A	2/1978	Dexter et al.	
4,530,611	A	7/1985	Borcenk et al.	
4,593,294	A	6/1986	Parisi	
D289,300	S *	4/1987	Saito	D18/43
4,791,439	A	12/1988	Guiles	
5,170,187	A	12/1992	Oikawa	
5,371,527	A *	12/1994	Miller et al.	D18/56
5,477,963	A	12/1995	Mochizuki et al.	
5,552,816	A	9/1996	Oda et al.	
D391,293	S *	2/1998	Hino et al.	D18/56
D422,623	S *	4/2000	Fukuoka	D18/56
D455,778	S *	4/2002	Katsuyama	D18/43

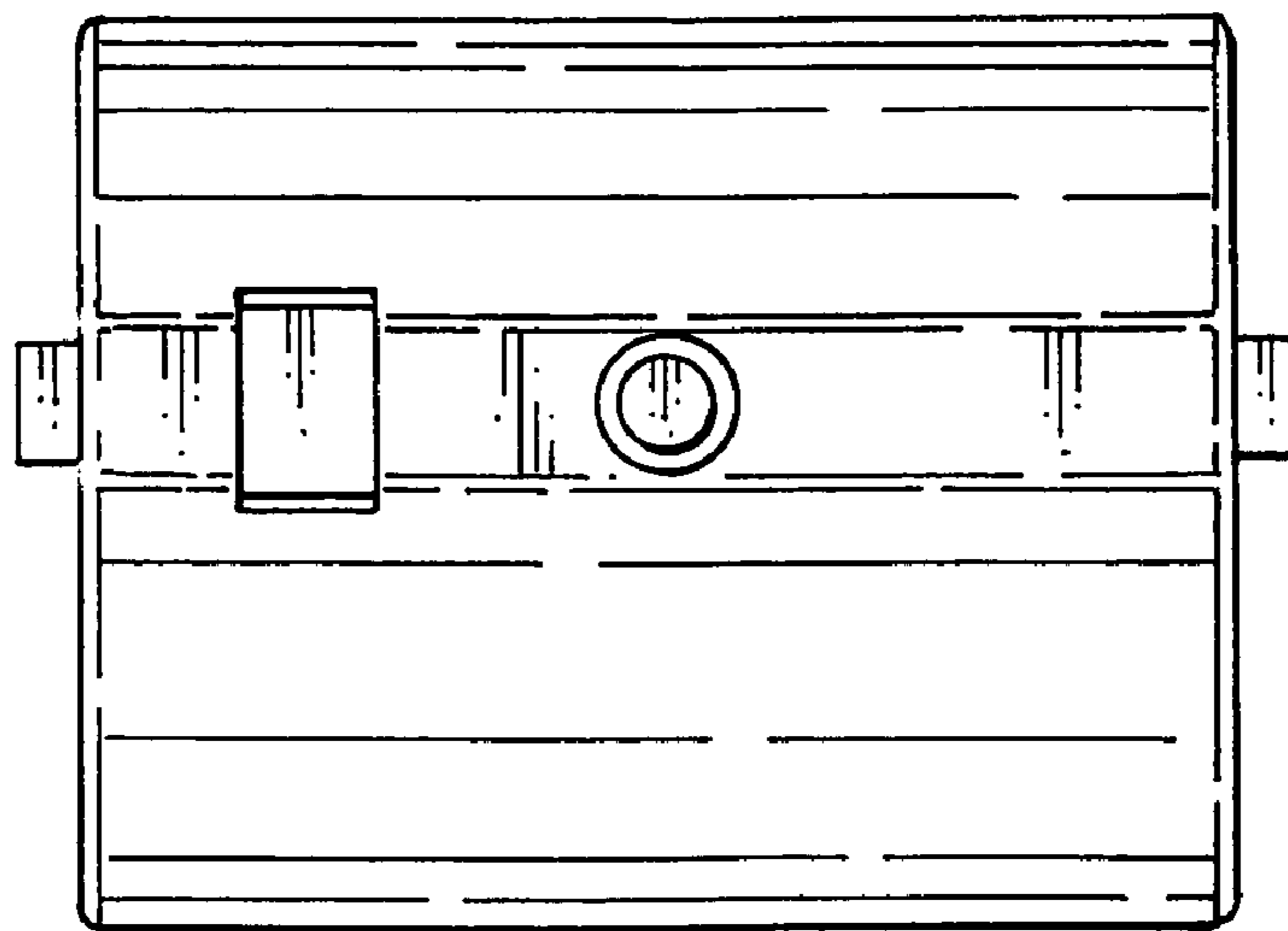
FIG. 1 is perspective view of a postal meter ink-jet cartridge embodying the present invention;  
FIG. 2 is a top plan view thereof;  
FIG. 3 is a front elevational view thereof;  
FIG. 4 is a rear elevational view thereof;  
FIG. 5 is a right end elevational view thereof, the left end elevational view being a mirror image thereof; and,  
FIG. 6 is a bottom plan view thereof.

**1 Claim, 2 Drawing Sheets**

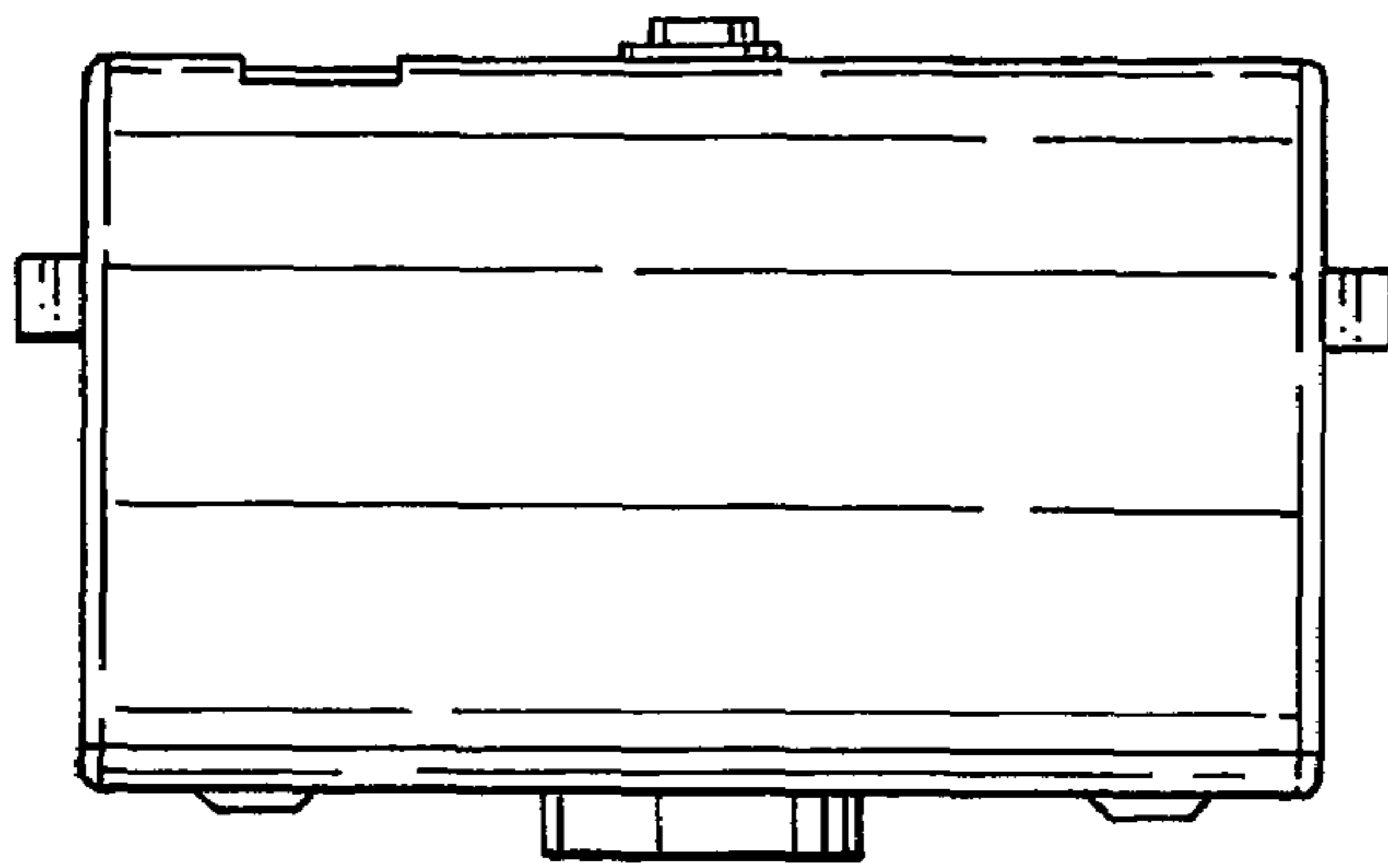




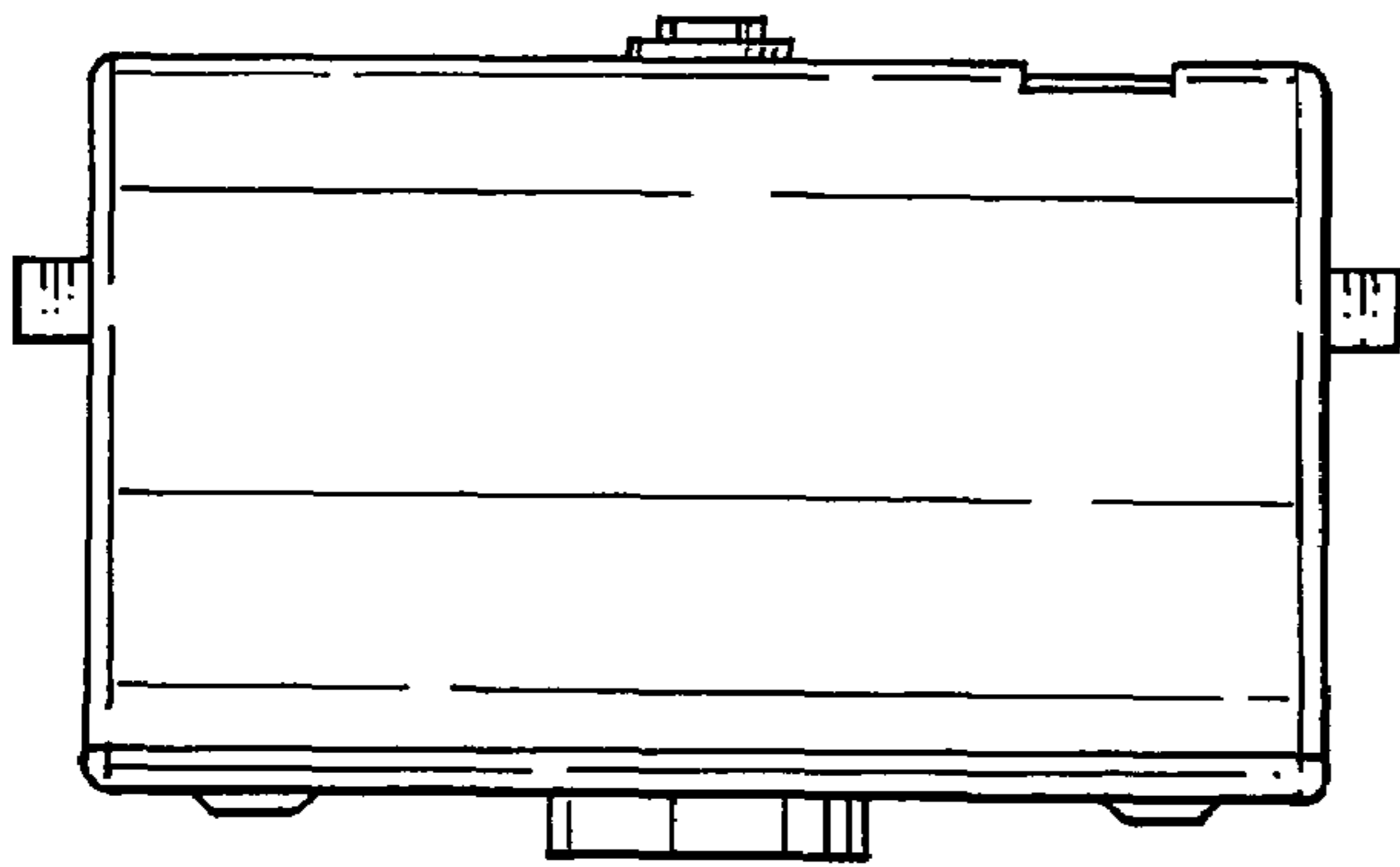
*FIG. 1*



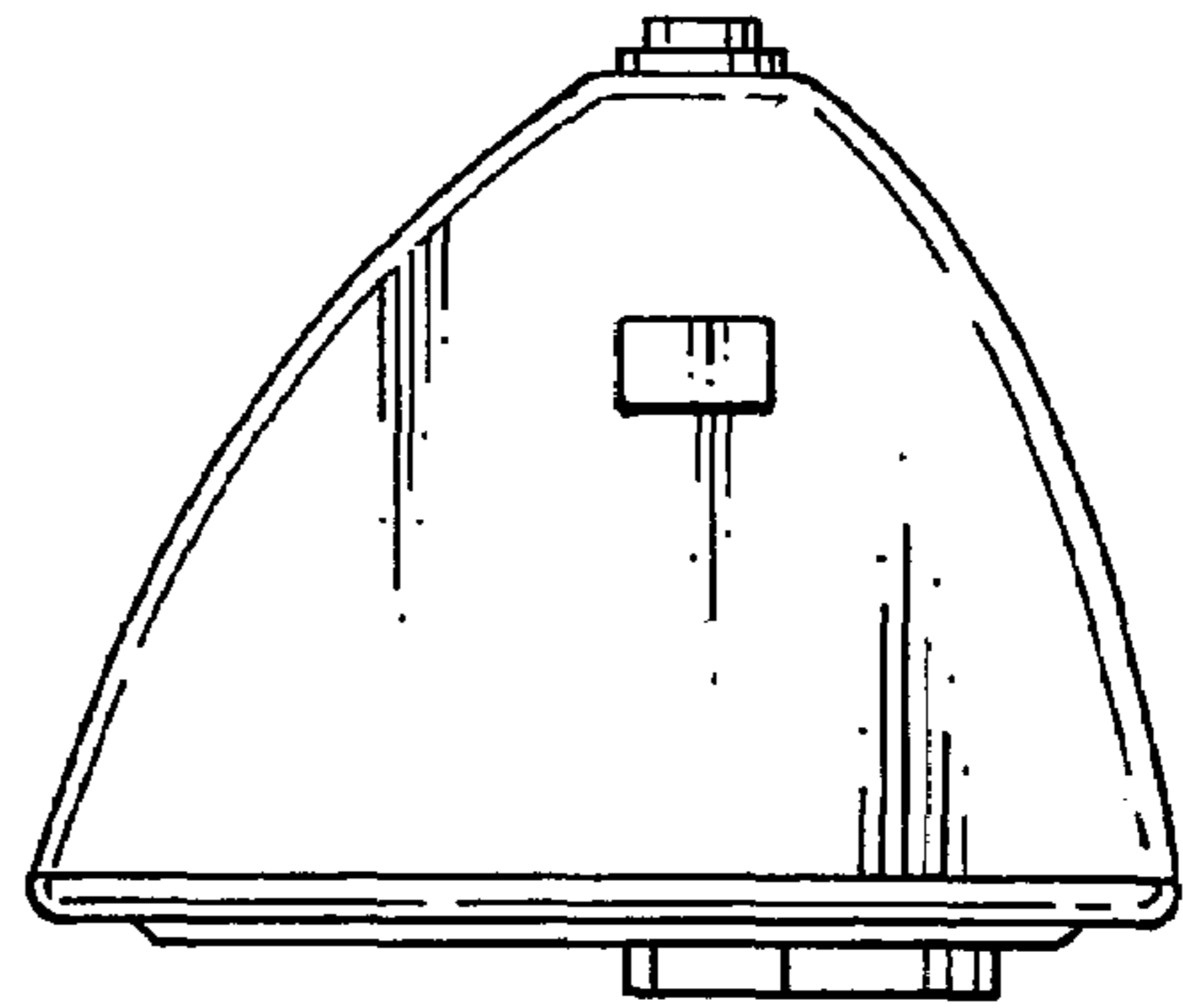
*FIG. 2*



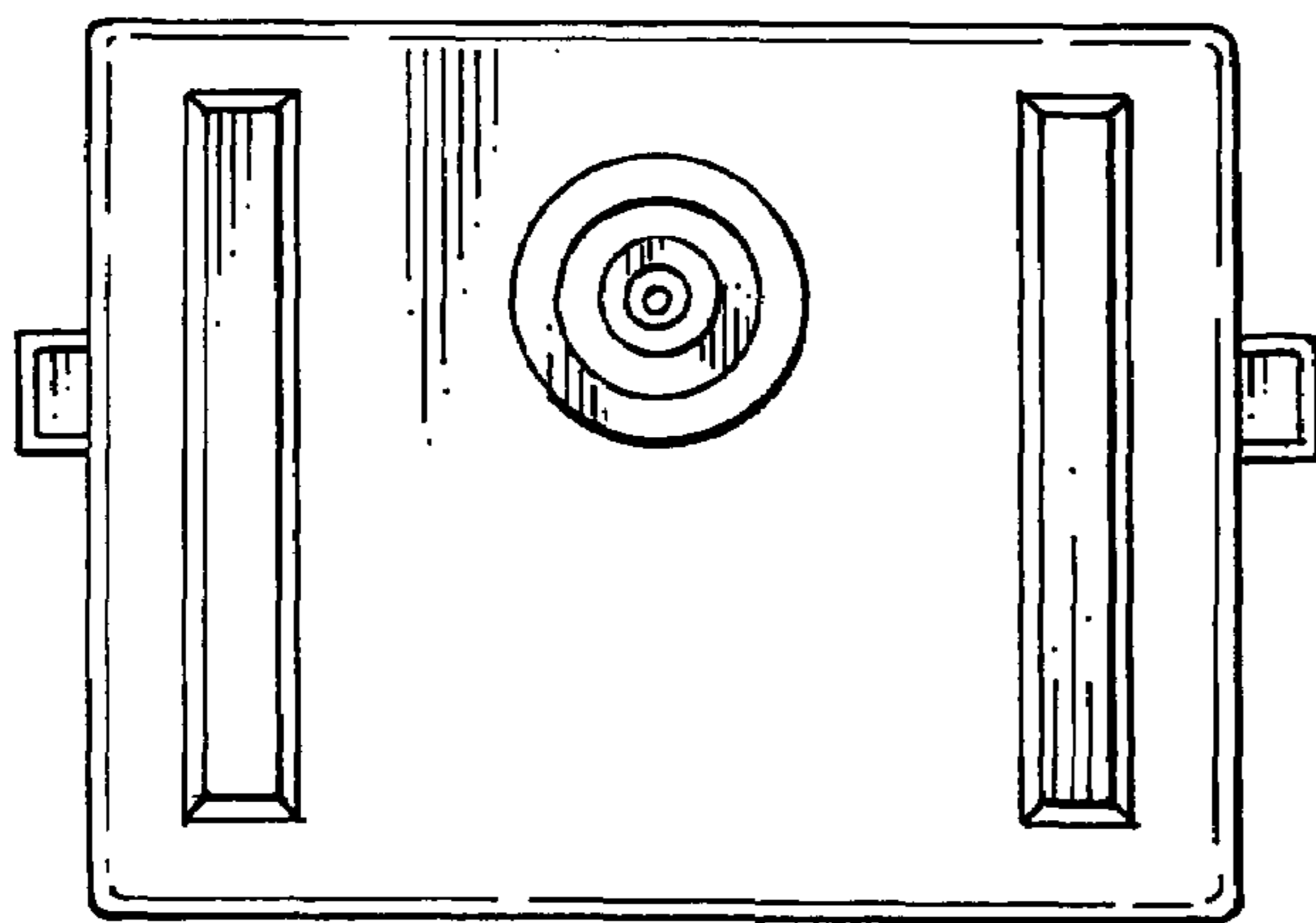
*FIG. 3*



*FIG. 4*



*FIG. 5*



*FIG. 6*