



US00D586386S

(12) **United States Design Patent**
Aznoe et al.

(10) **Patent No.:** **US D586,386 S**
(45) **Date of Patent:** **** *Feb. 10, 2009**

(54) **INK STICK FOR A PHASE CHANGE INK JET PRINTER**

(75) Inventors: **Brian Walter Aznoe**, Sherwood, OR (US); **Brent Rodney Jones**, Sherwood, OR (US)

(73) Assignee: **Xerox Corporation**, Norwalk, CT (US)

(*) Notice: This patent is subject to a terminal disclaimer.

(**) Term: **14 Years**

(21) Appl. No.: **29/282,378**

(22) Filed: **Jul. 18, 2007**

(51) **LOC (9) Cl.** **18-02**

(52) **U.S. Cl.** **D18/56; 347/88**

(58) **Field of Classification Search** D18/56;
347/88, 99; 106/31.29, 31.61

See application file for complete search history.

(56) **References Cited**

U.S. PATENT DOCUMENTS

D412,527	S	*	8/1999	Ellers et al.	D18/56
D412,528	S	*	8/1999	Ellers et al.	D18/56
6,722,764	B2	*	4/2004	Jones et al.	347/88
D500,516	S	*	1/2005	Jones et al.	D18/56
D500,785	S	*	1/2005	Jones et al.	D18/56
6,893,121	B2	*	5/2005	Jones	347/88
6,986,570	B2	*	1/2006	Jones et al.	347/88
D518,097	S	*	3/2006	Jones	D18/56
D520,559	S	*	5/2006	Jones	D18/56
D521,064	S	*	5/2006	Jones et al.	D18/56
D521,065	S	*	5/2006	Jones et al.	D18/56

D524,854	S	*	7/2006	Jones et al.	D18/56
D526,011	S	*	8/2006	Jones et al.	D18/56
D528,159	S	*	9/2006	Jones	D18/56
D537,116	S	*	2/2007	Jones et al.	D18/56
D566,171	S	*	4/2008	Korn et al.	D18/56
D569,419	S	*	5/2008	Korn et al.	D18/56
D570,406	S	*	6/2008	Korn et al.	D18/56
D570,407	S	*	6/2008	Korn et al.	D18/56
2003/0202071	A1	*	10/2003	Jones et al.	347/88
2004/0179074	A1	*	9/2004	Jones et al.	347/99
2004/0201657	A1	*	10/2004	Jones et al.	347/99
2006/0279617	A1	*	12/2006	Korn et al.	347/88

* cited by examiner

Primary Examiner—Cathy Anne MacCormac
(74) *Attorney, Agent, or Firm*—Tallam I. Nguti

(57) **CLAIM**

The ornamental design for an ink stick for a phase change ink jet printer, as shown.

DESCRIPTION

FIG. 1 is a perspective view of an ink stick for a phase change ink jet printer illustrating the new design;

FIG. 2 is a front elevational view thereof;

FIG. 3 is a right side elevational view thereof;

FIG. 4 is a rear elevational view thereof;

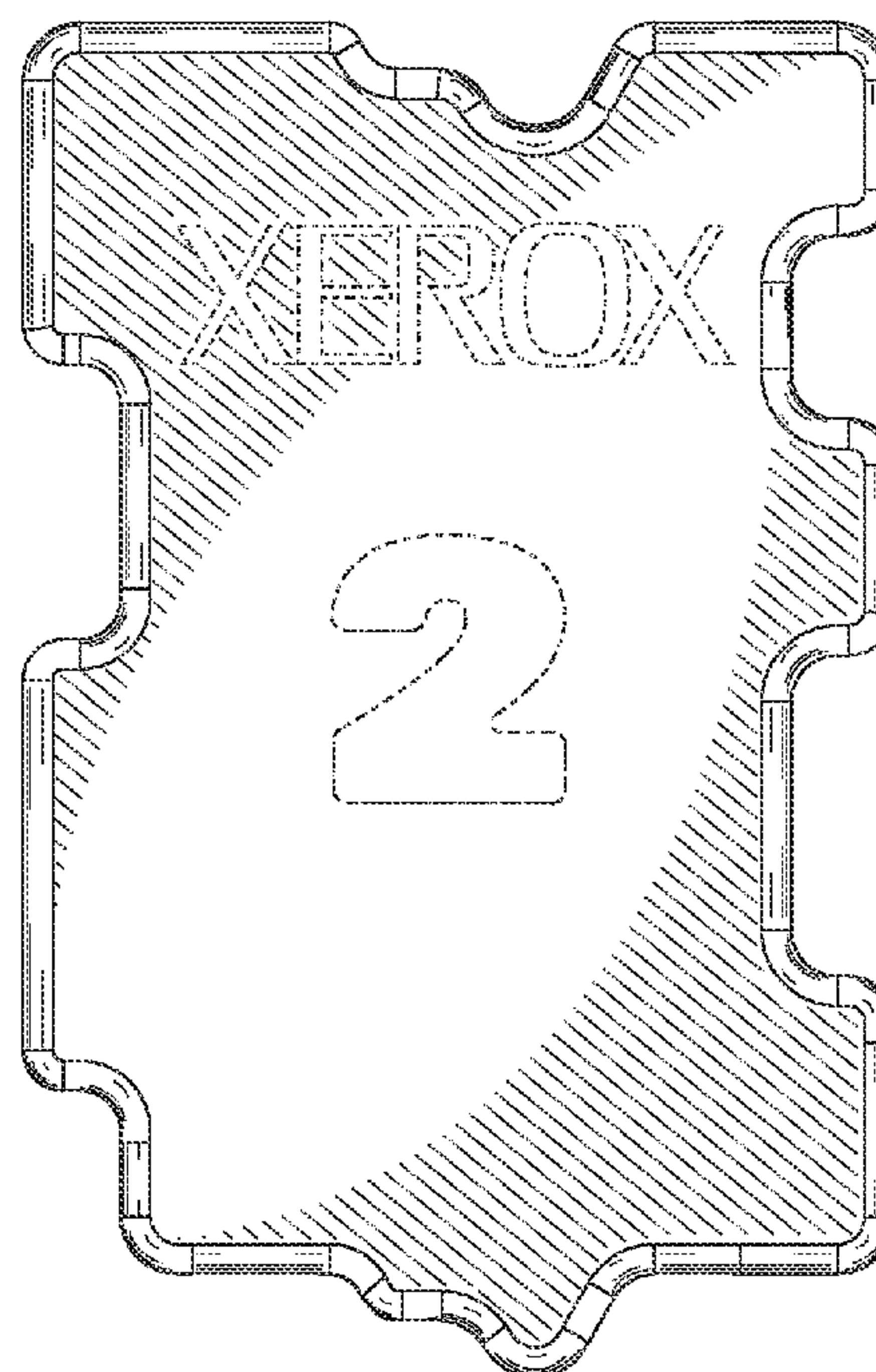
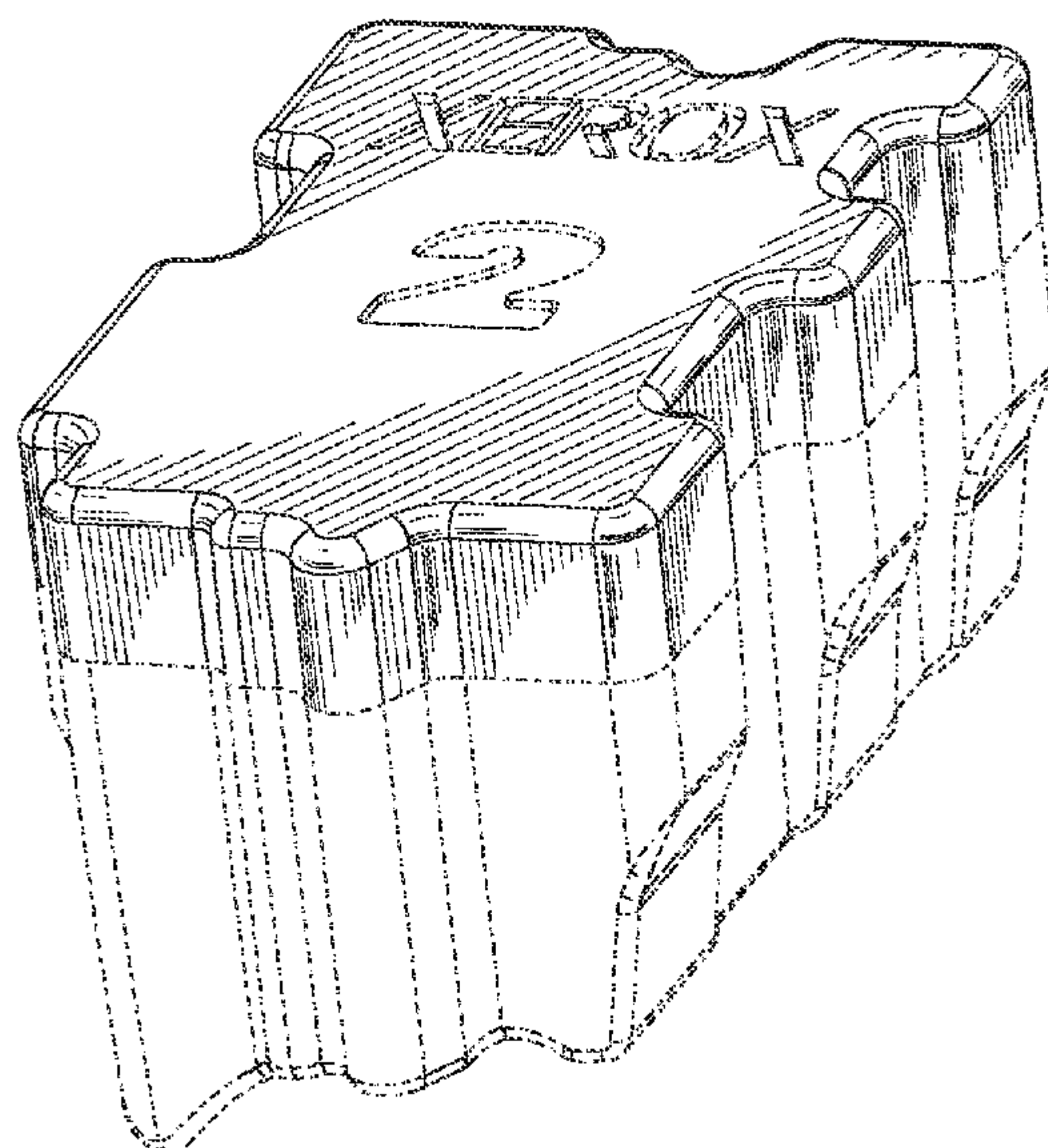
FIG. 5 is a left side elevational view thereof;

FIG. 6 is a top plan view thereof; and,

FIG. 7 is a bottom plan view thereof.

The broken lines are for the purposes of illustration only and form no part of the claimed design.

1 Claim, 5 Drawing Sheets



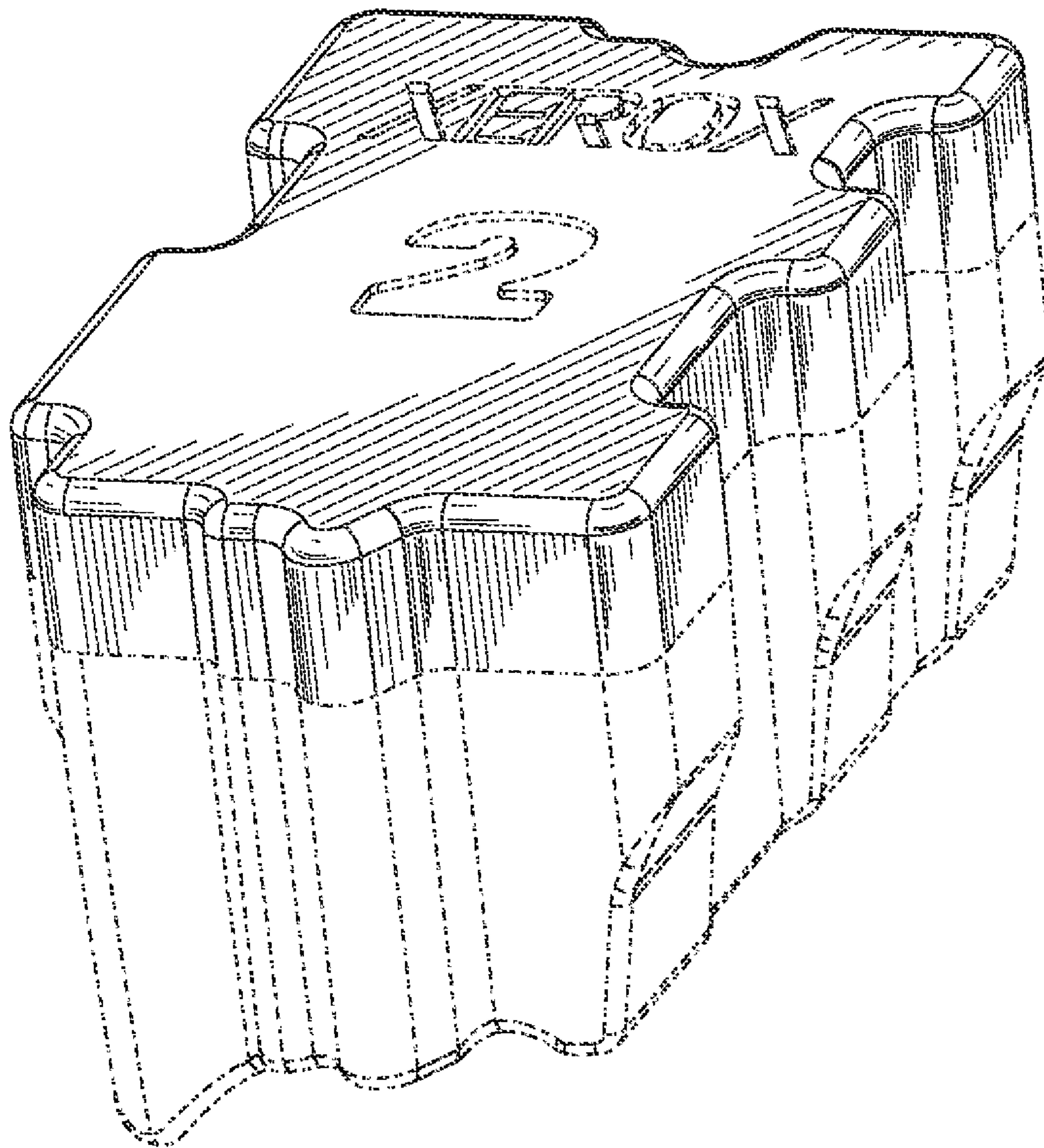


FIG. 1

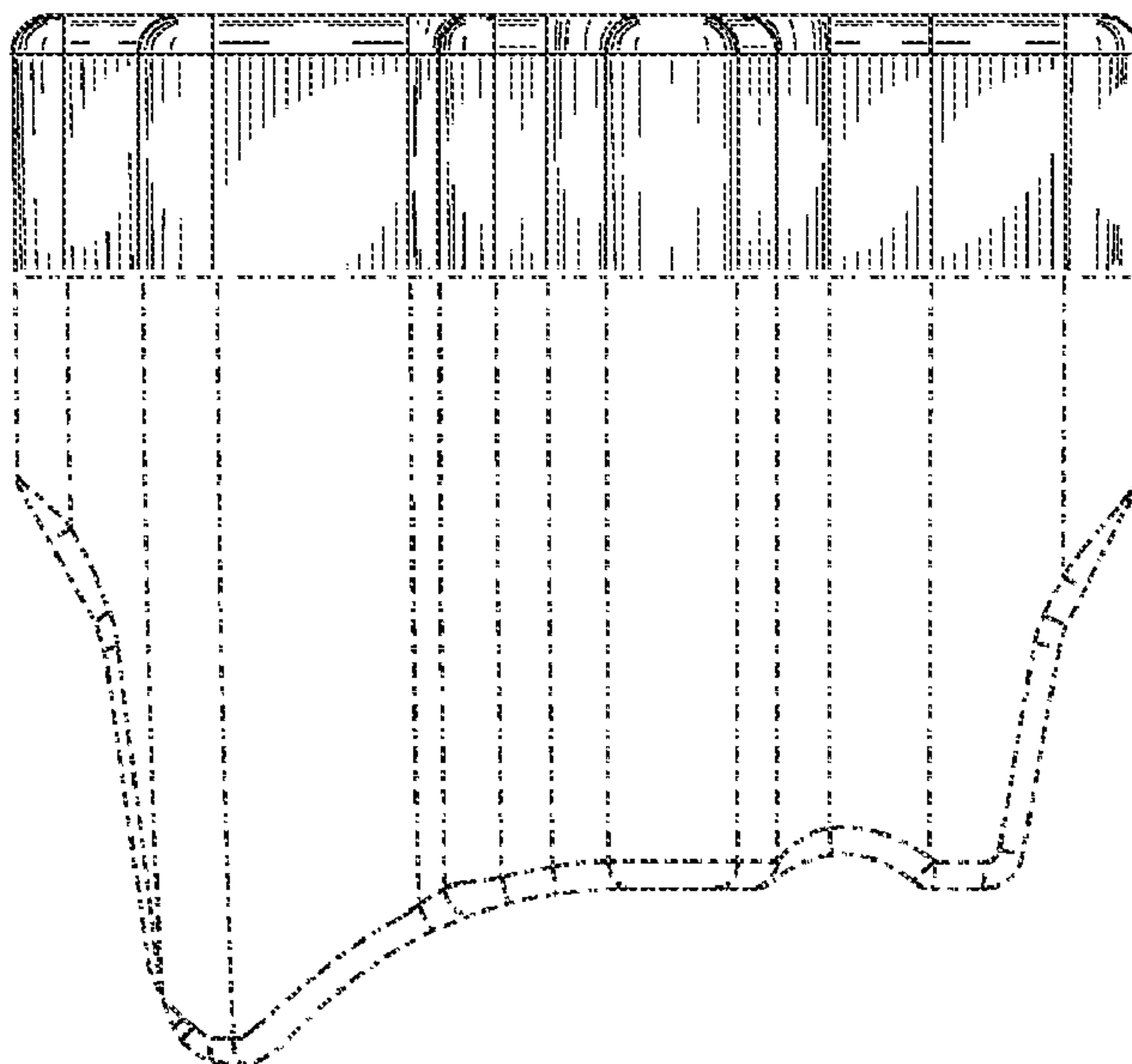


FIG. 2

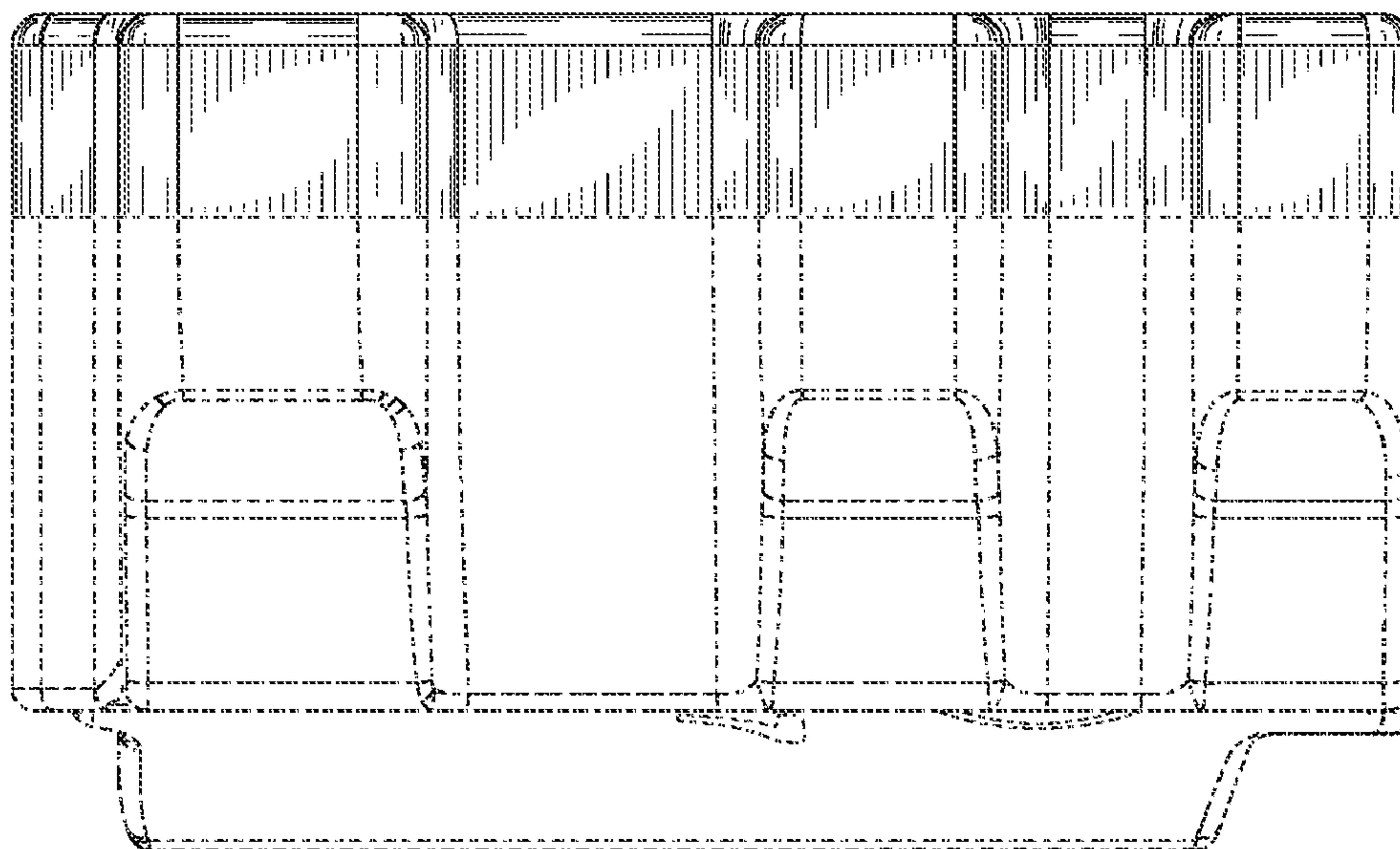


FIG. 3

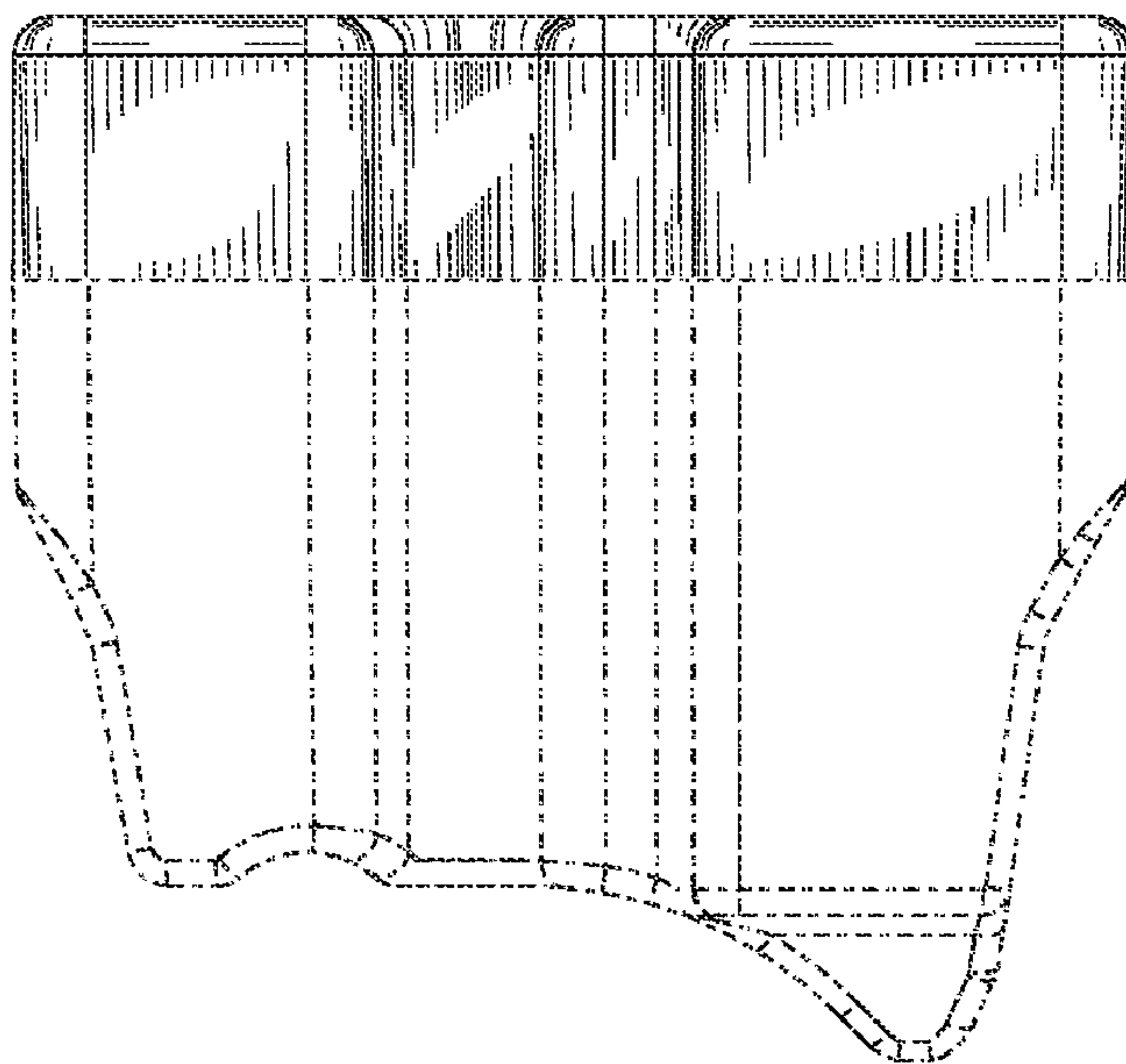


FIG. 4

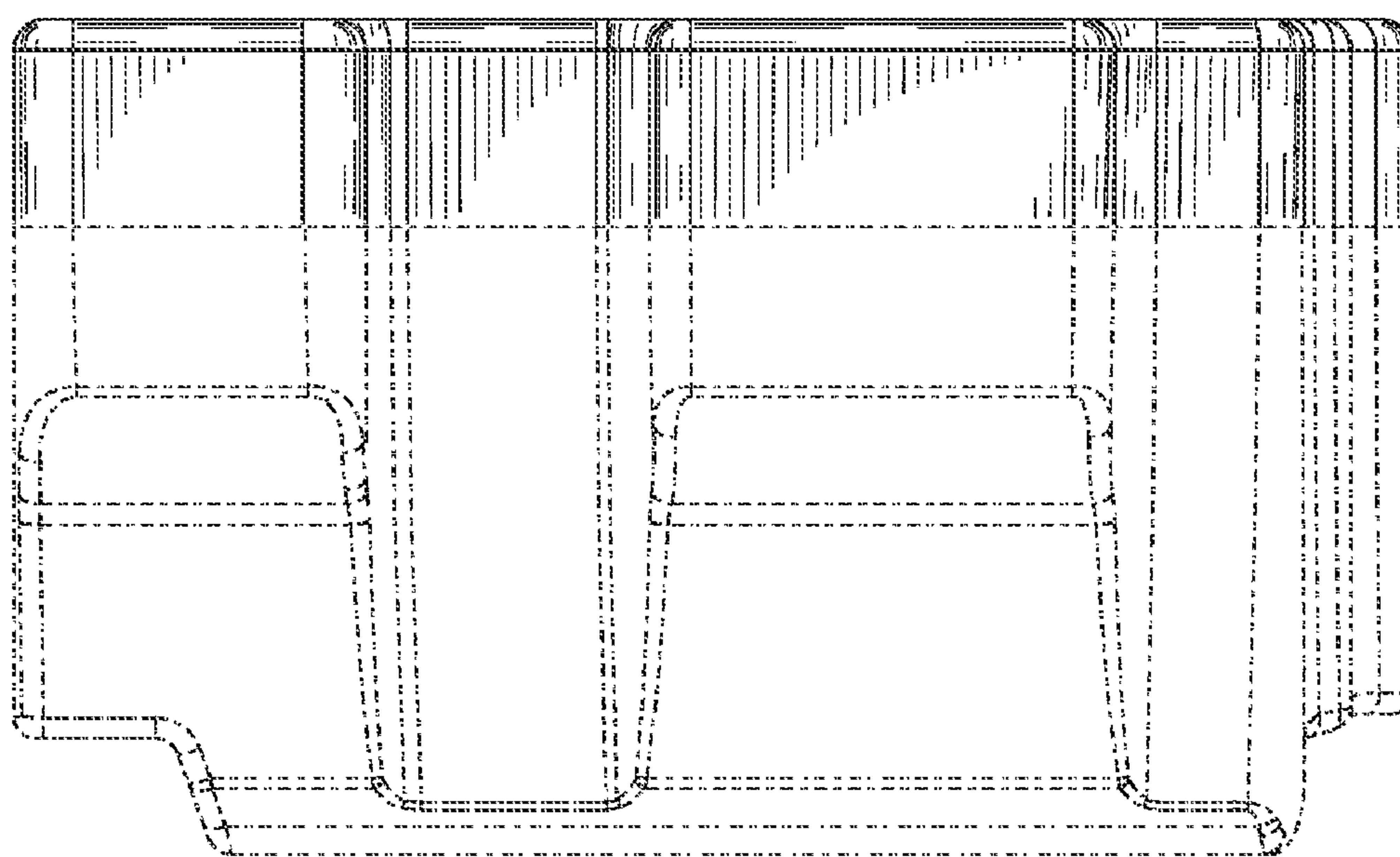


FIG. 5

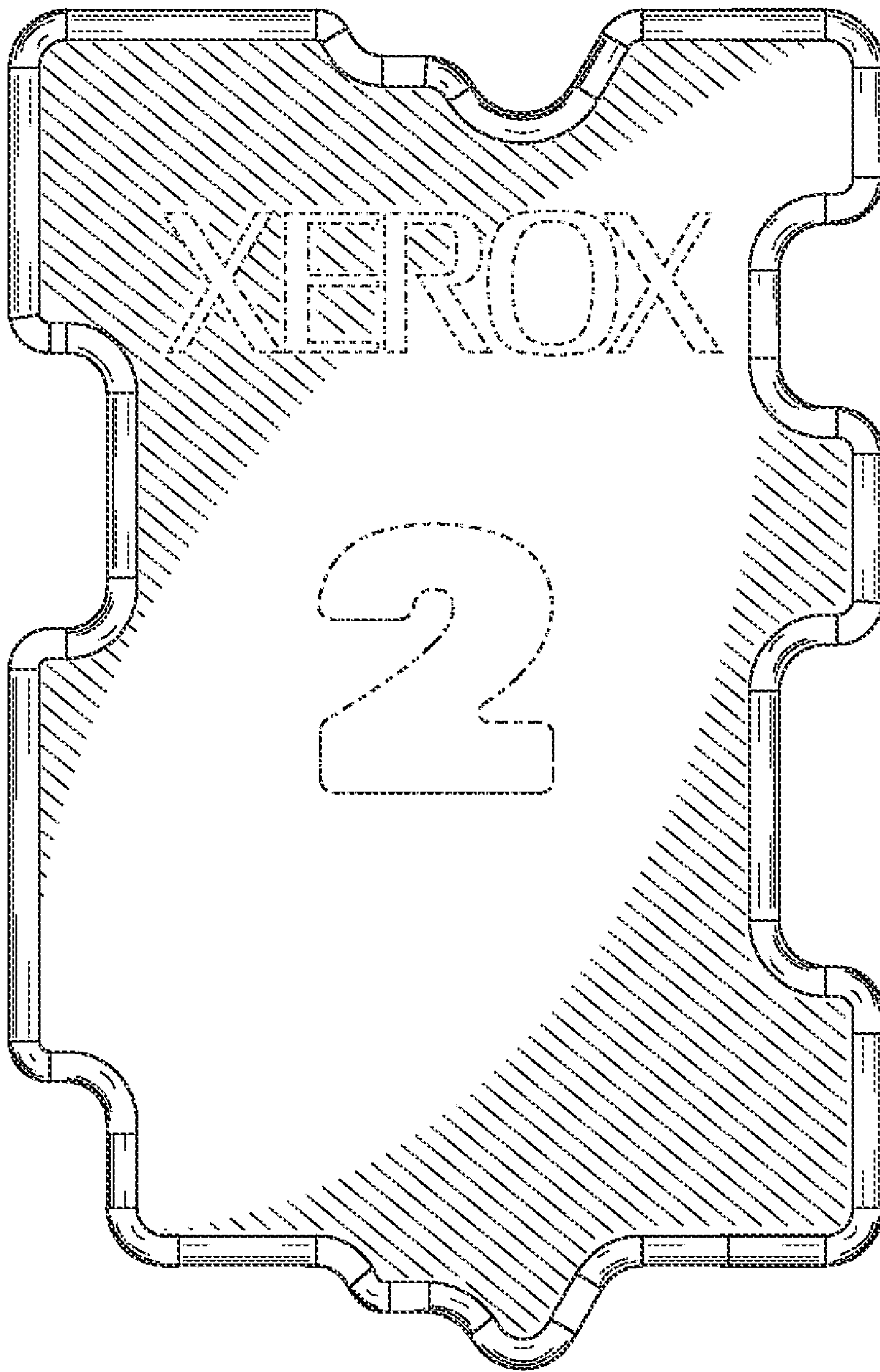


FIG. 6

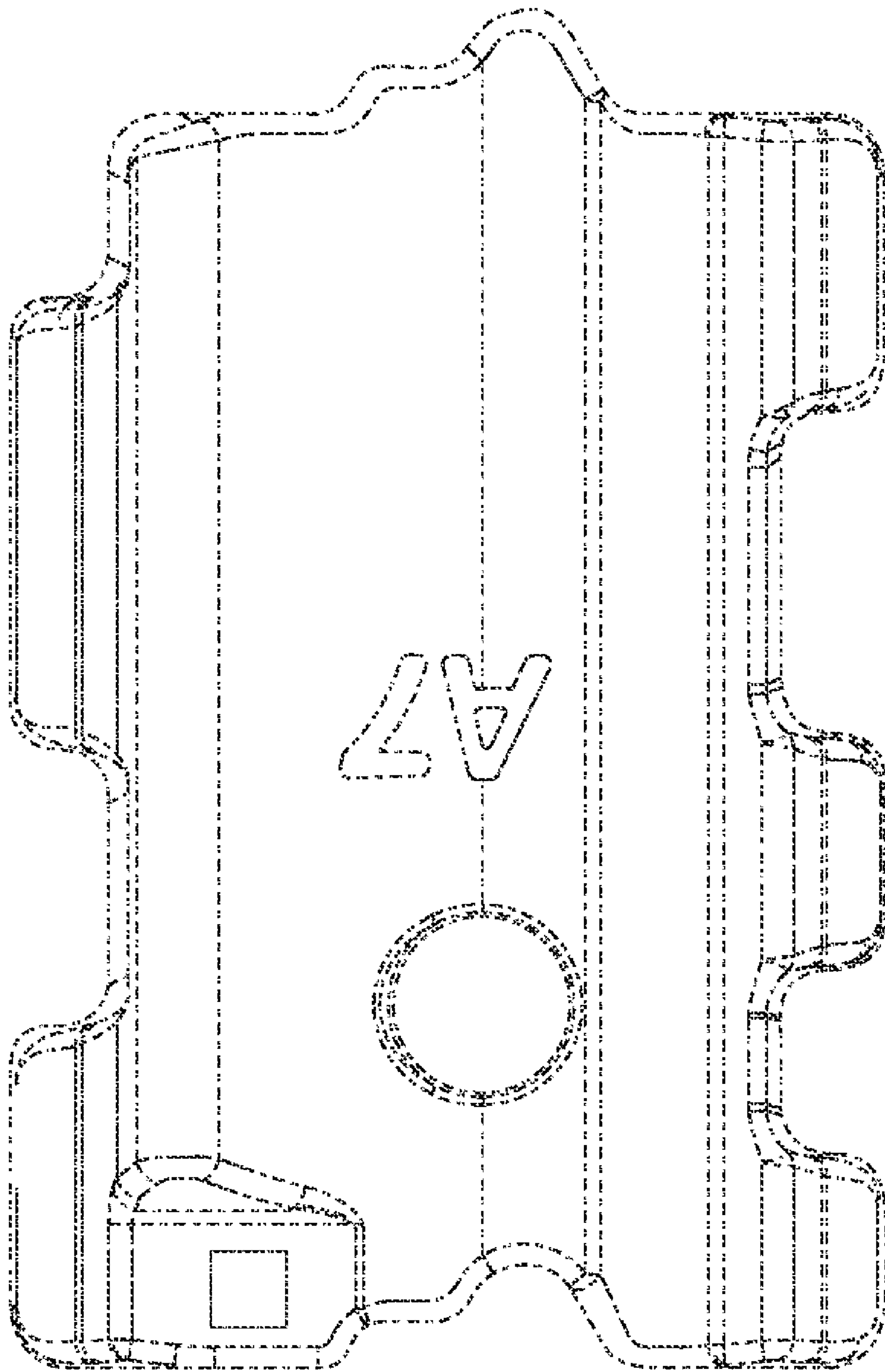


FIG. 7