



US00D586385S

(12) **United States Design Patent**
Kim et al.

(10) **Patent No.:** **US D586,385 S**
(45) **Date of Patent:** **** Feb. 10, 2009**

(54) **LASER PRINTER**

(75) Inventors: **Hee-Yul Kim**, Kyunggi-do (KR);
Kwang-Soo Ha, Seoul (KR);
Min-Hyong Boo, Seoul (KR); **Yun-Gi Hong**, Kyunggi-do (KR)

(73) Assignee: **Samsung Electronics Co., Ltd.**,
Kyunggi-do (KR)

(**) Term: **14 Years**

(21) Appl. No.: **29/294,092**

(22) Filed: **Dec. 21, 2007**

(51) **LOC (9) Cl.** **14-02**

(52) **U.S. Cl.** **D18/55**

(58) **Field of Classification Search** D18/36–39,
D18/50, 54, 54.1, 55; D14/420–425, 462–470;
400/613, 613.1–613.4, 690.1–690.4, 691–694
See application file for complete search history.

(56) **References Cited**

U.S. PATENT DOCUMENTS

- D326,867 S 6/1992 Kwak
- D359,506 S 6/1995 Lee
- D378,218 S 2/1997 Hong et al.
- D456,834 S * 5/2002 Fetherolf et al. D18/36
- D527,045 S 8/2006 Lim et al.
- D530,737 S 10/2006 Lim et al.
- D532,043 S 11/2006 Park et al.
- D534,578 S * 1/2007 Katayama et al. D18/55
- D536,372 S 2/2007 Lim et al.
- D539,283 S * 3/2007 McIntyre D14/425
- D545,357 S * 6/2007 Hattori et al. D18/55
- D551,700 S 9/2007 Park et al.
- D552,170 S 10/2007 Kim et al.
- D555,195 S 11/2007 Park et al.
- D555,722 S 11/2007 Bae et al.
- D561,248 S 2/2008 Lee et al.
- D561,251 S * 2/2008 Tjin Wong Joe et al. D18/55
- D573,178 S 7/2008 Lee et al.

- D573,179 S 7/2008 Bae et al.
- D574,886 S * 8/2008 Mase et al. D18/55
- D575,330 S * 8/2008 Egami et al. D18/55

OTHER PUBLICATIONS

- U.S. Appl. No. 29/291,996, Applicant: Gyeong-Sun Park, et al., filed Sep. 25, 2007 entitled Color Laser Complex.
- U.S. Appl. No. 29/291,995, Applicant: Gyeong-Sun Park, et al., filed Sep. 25, 2007 entitled Copy Machine Attached by Function of Scanner and Printer.
- U.S. Appl. No. 29/294,093, Applicant: Hee-Yul Kim, et al., filed Dec. 21, 2007 entitled Laser Printer.
- U.S. Appl. No. 29/294,097, Applicant: Hee-Yul Kim, et al., filed Dec. 21, 2007 entitled Laser Printer.
- U.S. Appl. No. 29/293,252, Applicant: Ji-Sang Park, et al., filed Nov. 13, 2007 entitled Color Laser Printer.
- U.S. Appl. No. 29/293,253, Applicant: Min-Hyong Boo, et al., filed Nov. 13, 2007 entitled Color Laser Printer.
- U.S. Appl. No. 29/293,228, Applicant: Son-Young Lee, et al., filed Nov. 9, 2007, entitled Copy Machine.

* cited by examiner

Primary Examiner—Cathy Anne MacCormac
(74) *Attorney, Agent, or Firm*—Flynn, Thiel, Boutell & Tanis, P.C.

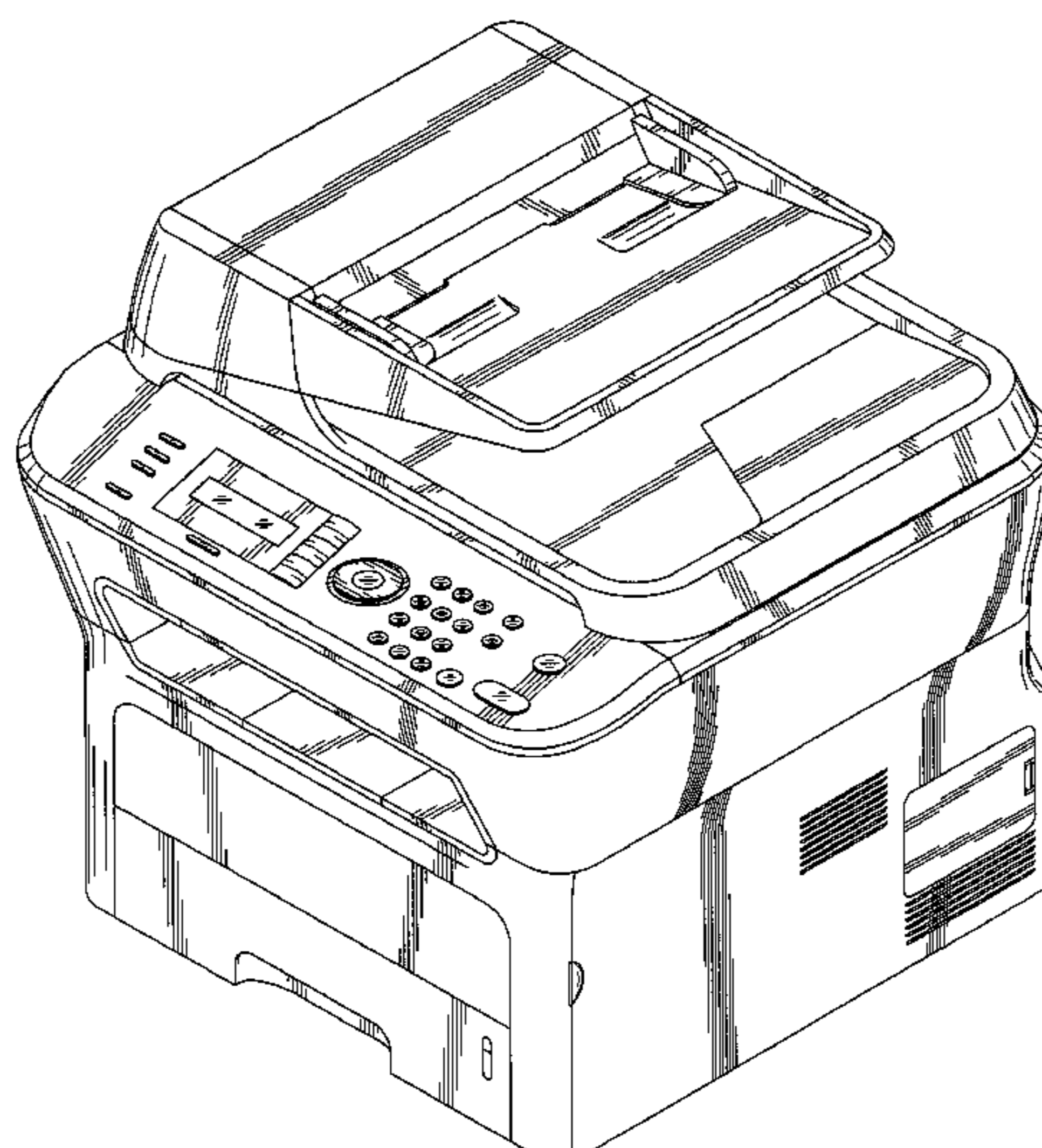
(57) **CLAIM**

The ornamental design for a laser printer, as shown and described.

DESCRIPTION

- FIG. 1 is a top front perspective view of a laser printer showing our new design;
- FIG. 2 is a front elevational view thereof;
- FIG. 3 is a rear elevational view thereof;
- FIG. 4 is a left side elevational view thereof;
- FIG. 5 is a right side elevational view thereof;
- FIG. 6 is a top plan view thereof; and,
- FIG. 7 is a bottom plan view thereof.

1 Claim, 7 Drawing Sheets



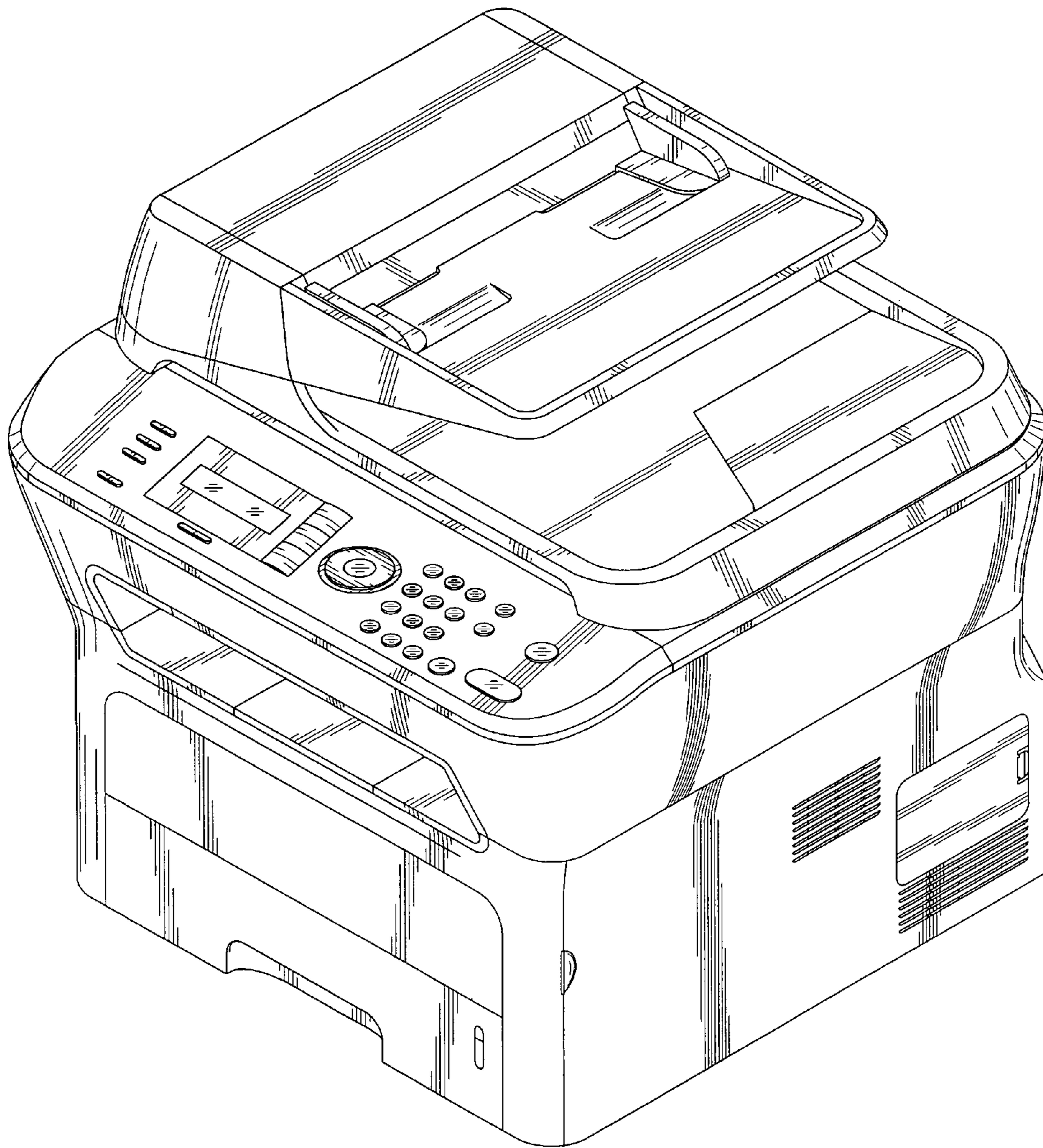


FIG. 1

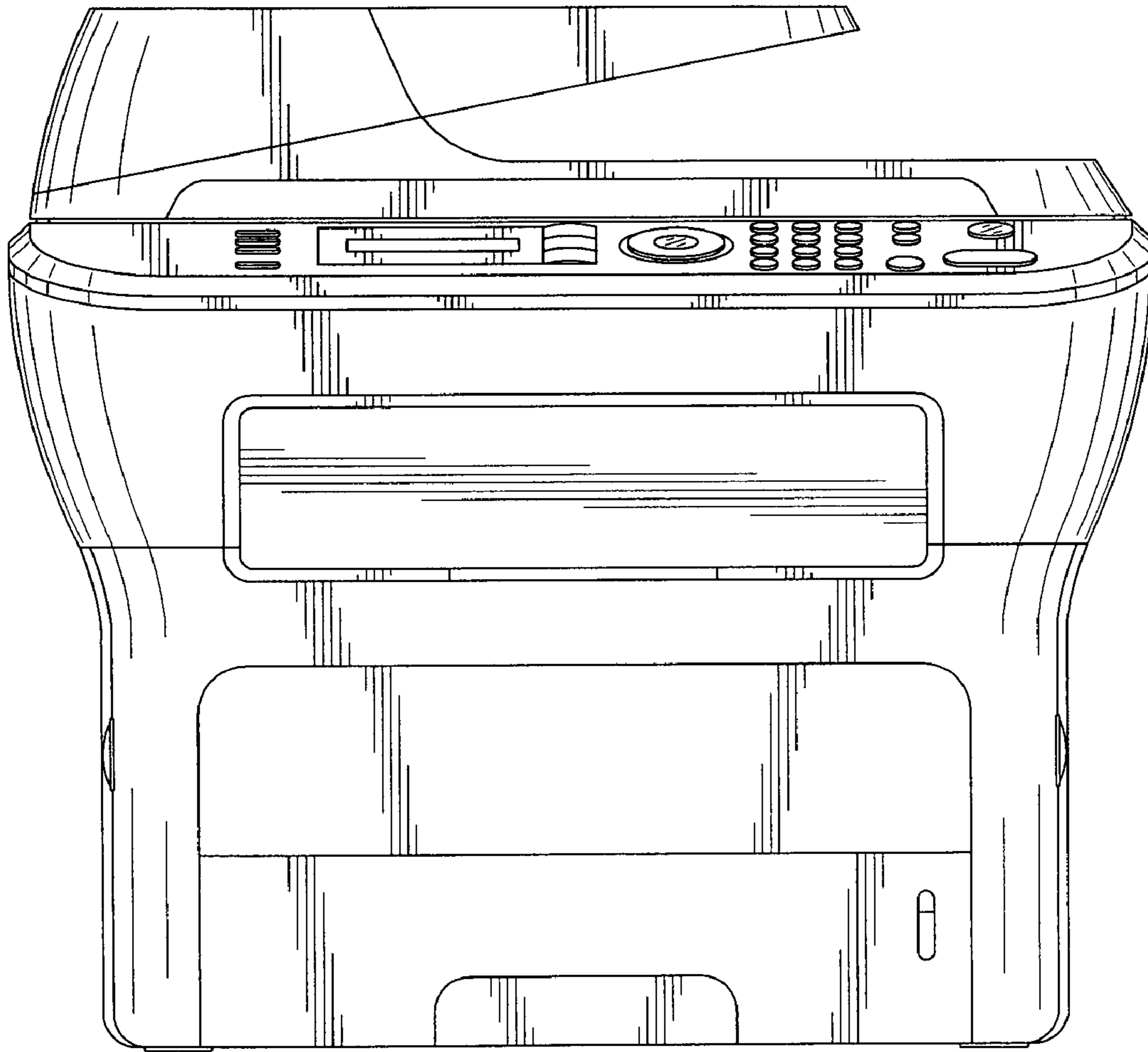


FIG. 2

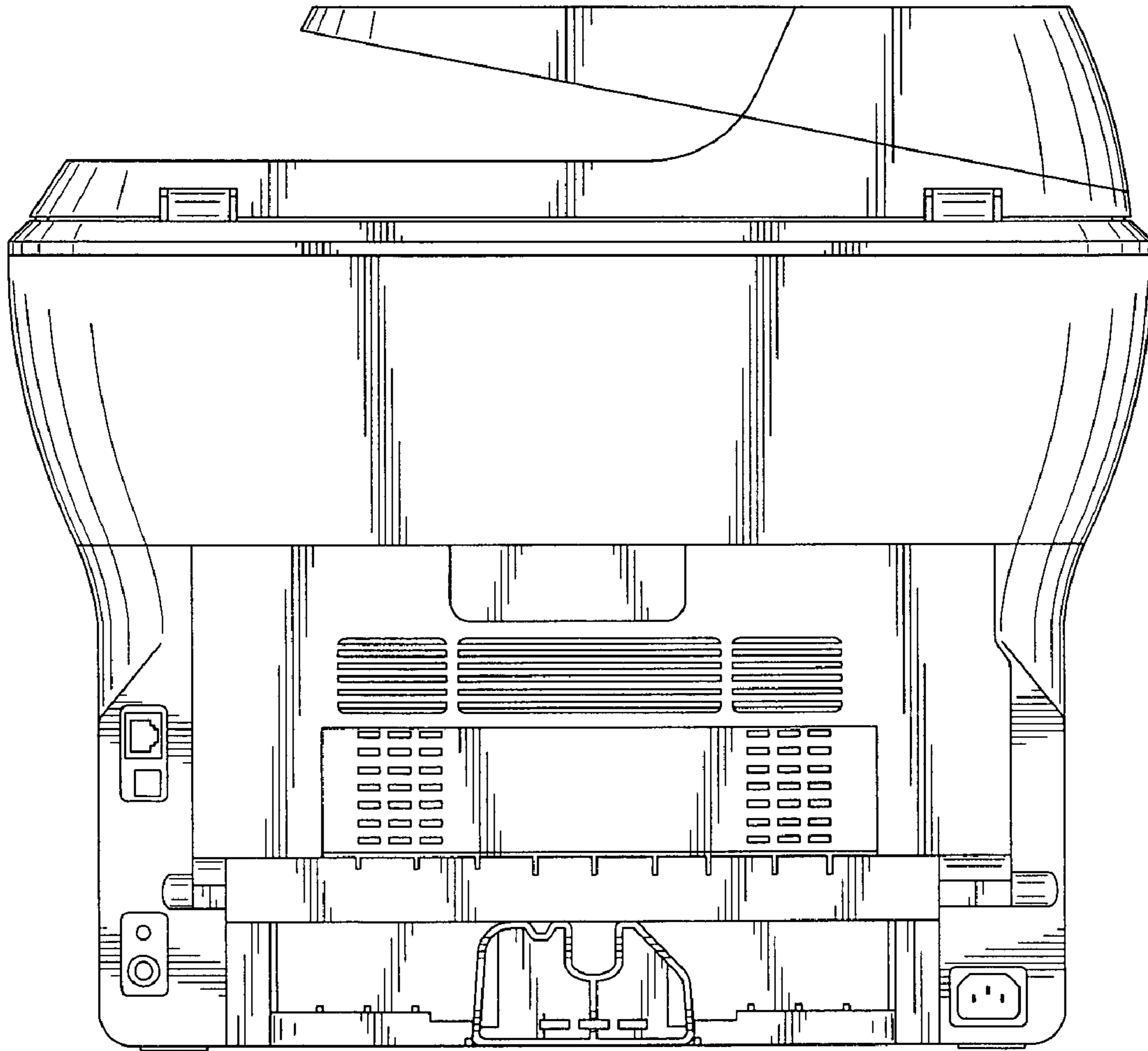


FIG. 3

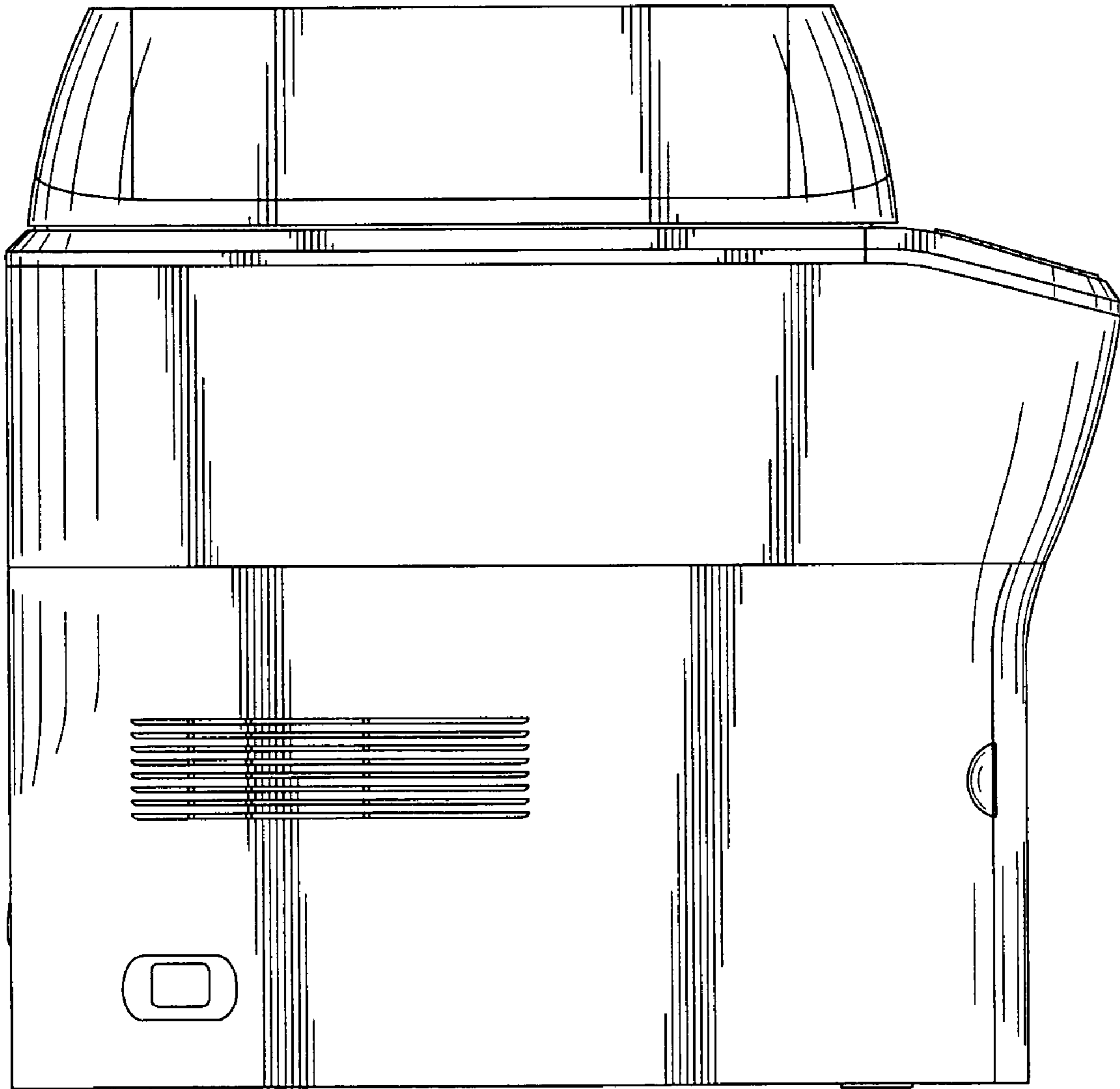


FIG. 4

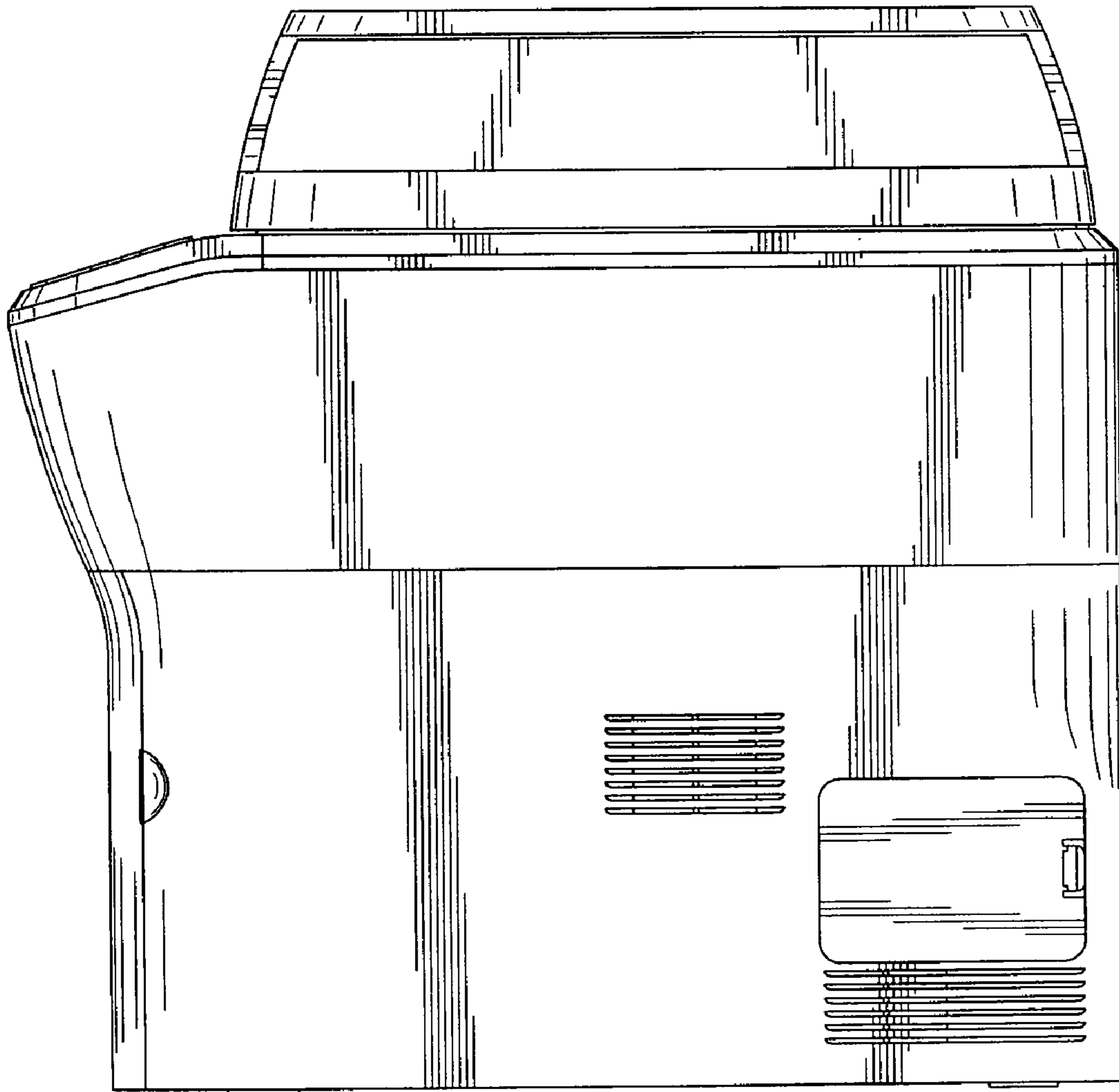


FIG. 5

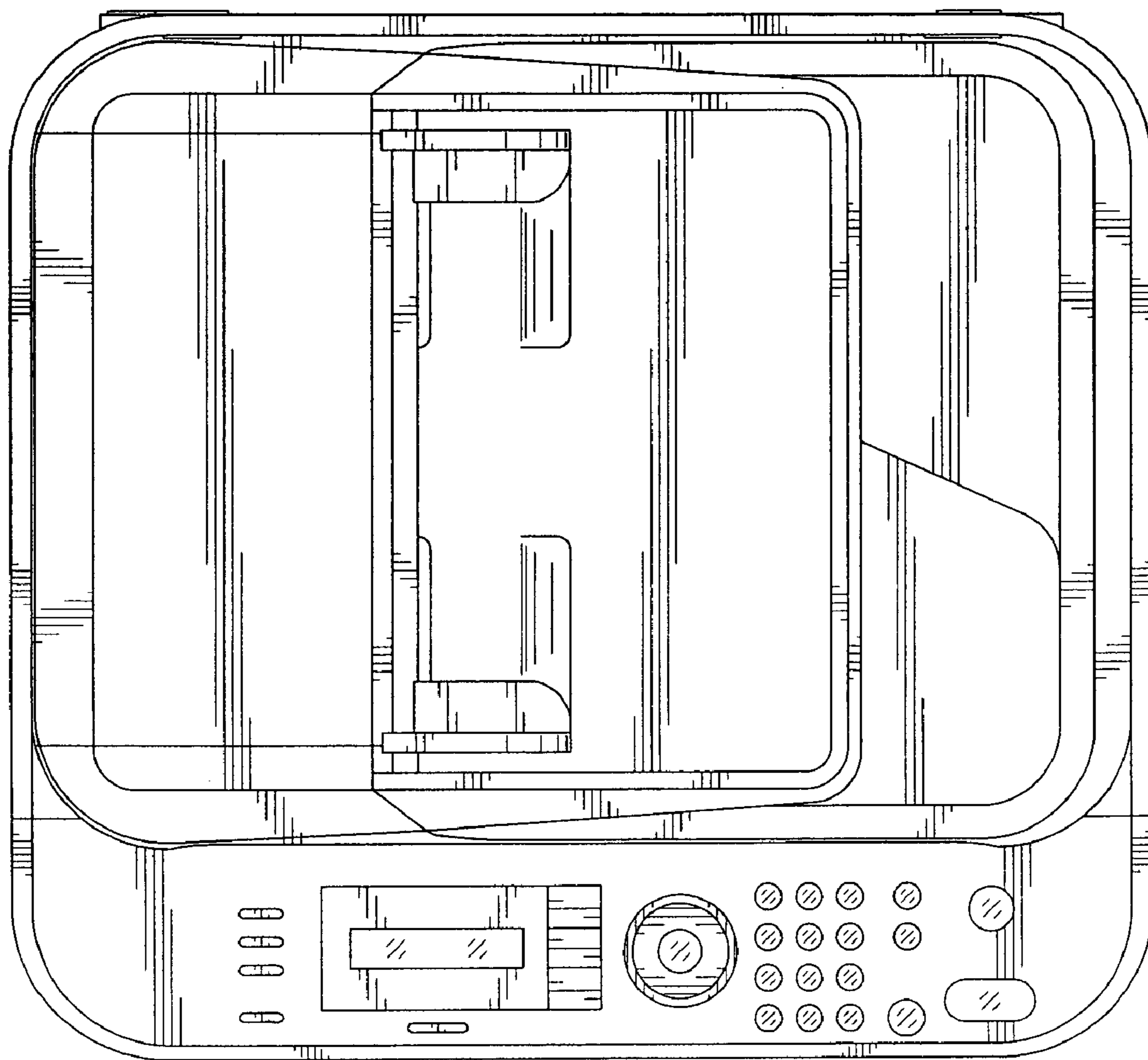


FIG. 6

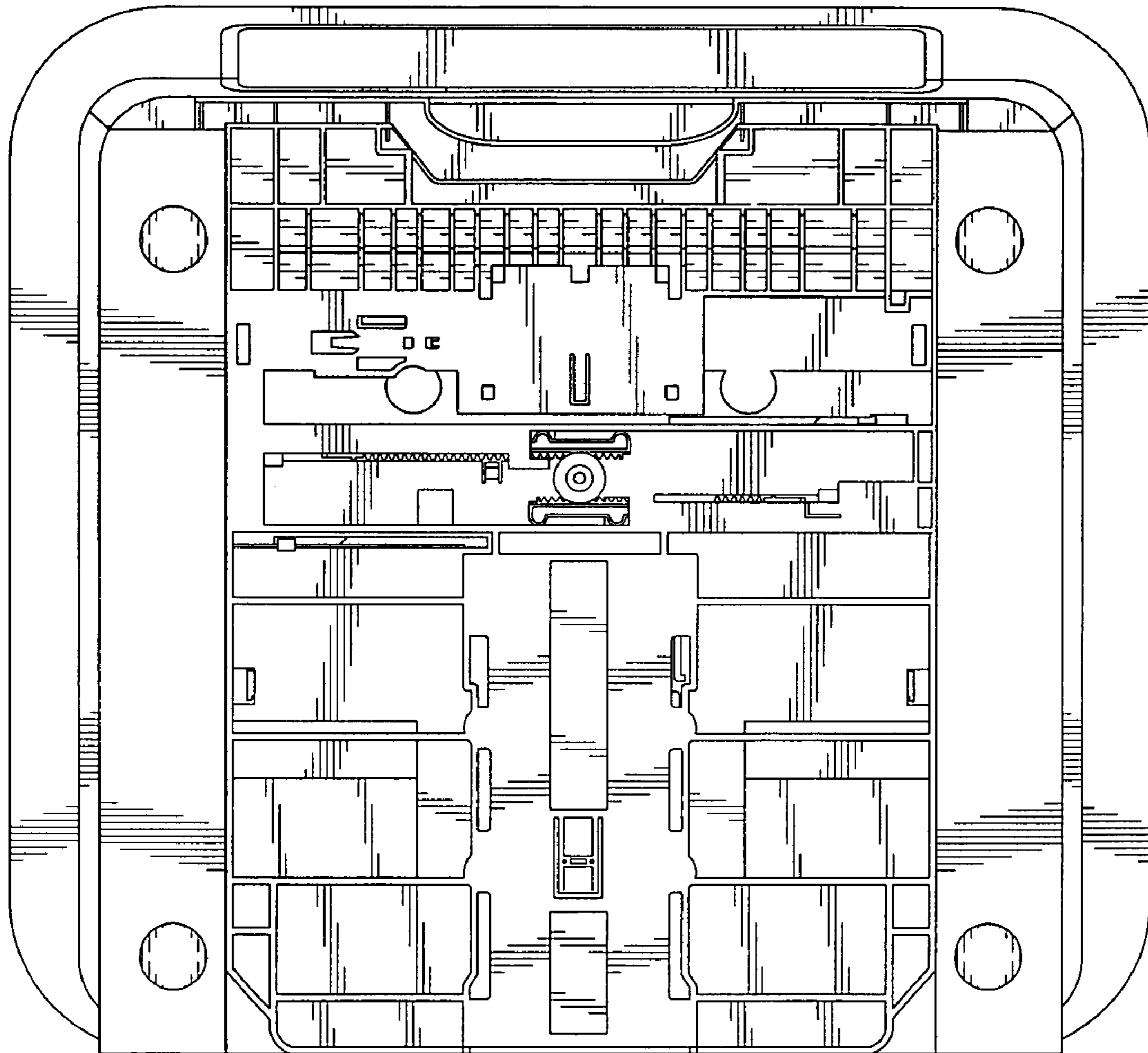


FIG. 7