



US00D586384S

(12) **United States Design Patent**  
**Yamaguchi et al.**

(10) **Patent No.:** **US D586,384 S**  
(45) **Date of Patent:** **\*\* Feb. 10, 2009**

(54) **PRINTER**

(75) Inventors: **Yasutake Yamaguchi**, Chiryu (JP);  
**Nobuyuki Iwai**, Chita-gun (JP)

(73) Assignee: **Brother Industries, Ltd.**, Nagoya (JP)

(\*\*) Term: **14 Years**

(21) Appl. No.: **29/290,612**

(22) Filed: **Dec. 26, 2007**

(30) **Foreign Application Priority Data**

Jul. 3, 2007 (JP) ..... 2007-018019

(51) **LOC (9) Cl.** ..... **14-02**

(52) **U.S. Cl.** ..... **D18/55**

(58) **Field of Classification Search** ..... D18/36-39,  
D18/50, 54, 54.1, 55; D14/420-425, 462-470;  
400/613, 613.1-613.4, 690.1-690.4, 691-694  
See application file for complete search history.

(56) **References Cited**

**U.S. PATENT DOCUMENTS**

D518,514 S \* 4/2006 Hoshiya et al. .... D18/55  
D528,154 S \* 9/2006 Hattori ..... D18/54  
D528,155 S \* 9/2006 Katayama ..... D18/55  
D528,596 S \* 9/2006 Hattori ..... D18/54

D534,578 S \* 1/2007 Katayama et al. .... D18/55  
D545,357 S \* 6/2007 Hattori et al. .... D18/55  
D556,256 S \* 11/2007 Matsumoto ..... D18/55  
D556,257 S \* 11/2007 Yamaguchi ..... D18/55  
D557,737 S \* 12/2007 Falk et al. .... D18/53  
D561,250 S \* 2/2008 Smith et al. .... D18/55  
D575,330 S \* 8/2008 Egami et al. .... D18/55

\* cited by examiner

*Primary Examiner*—Cathy Anne MacCormac

(74) *Attorney, Agent, or Firm*—Oliff & Berridge, PLC

(57) **CLAIM**

The ornamental design for a printer, as shown and described.

**DESCRIPTION**

FIG. 1 is a perspective view of a printer;

FIG. 2 is a front view thereof;

FIG. 3 is a top view thereof;

FIG. 4 is a right-side view thereof;

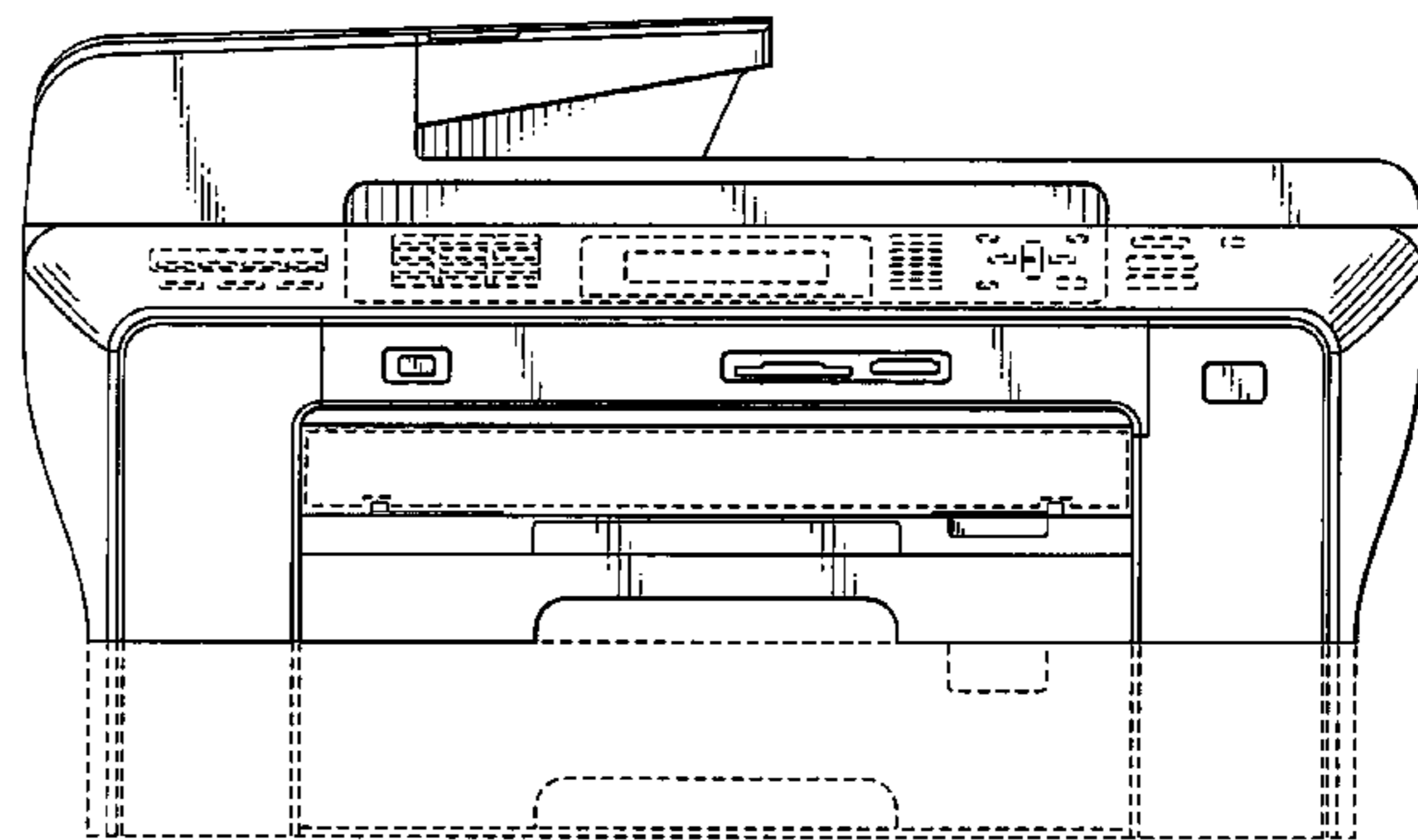
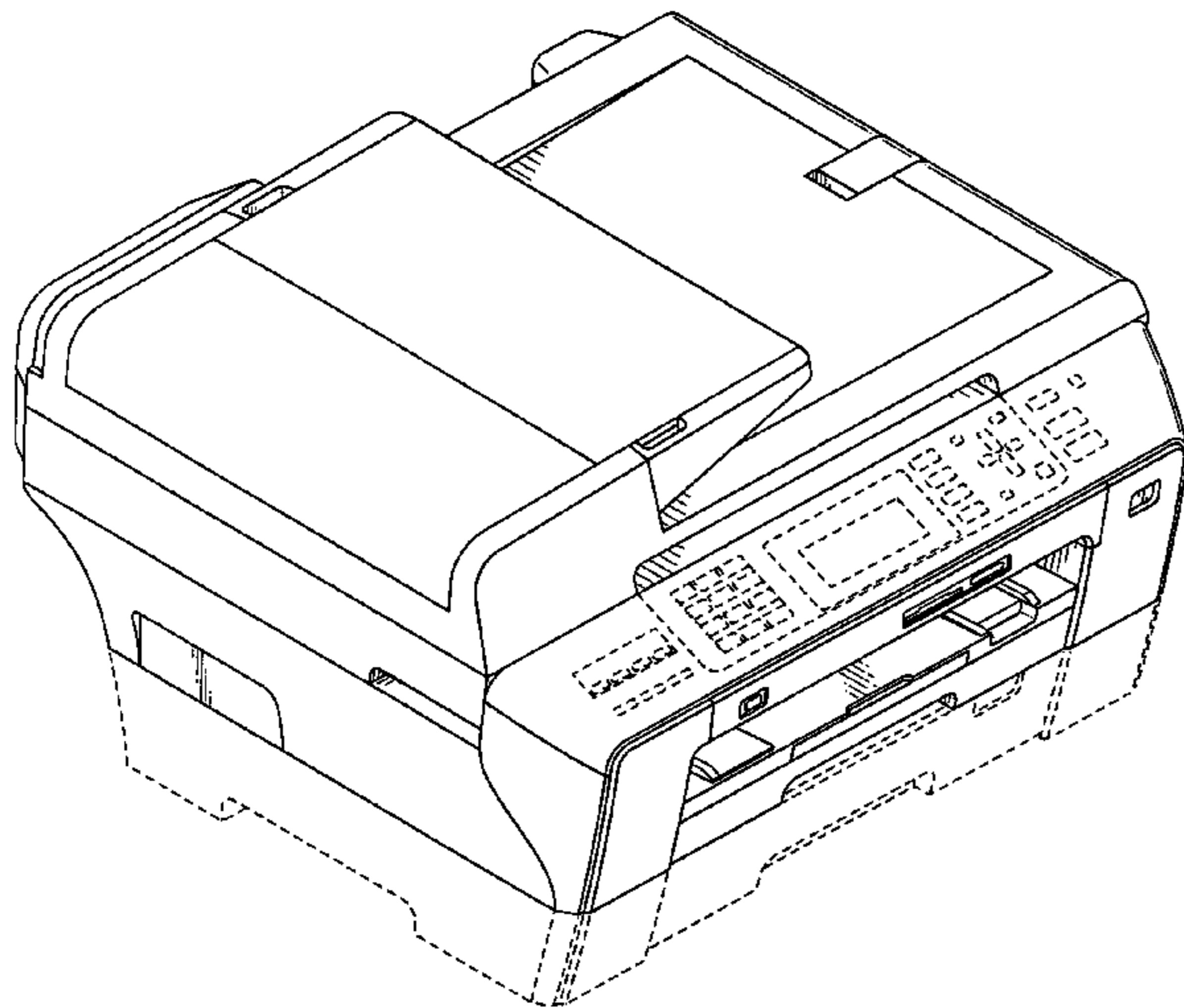
FIG. 5 is a left-side view thereof;

FIG. 6 is a rear view thereof; and,

FIG. 7 is a bottom view thereof.

The broken lines depict environmental subject matter only and form no part of the claimed design.

**1 Claim, 7 Drawing Sheets**



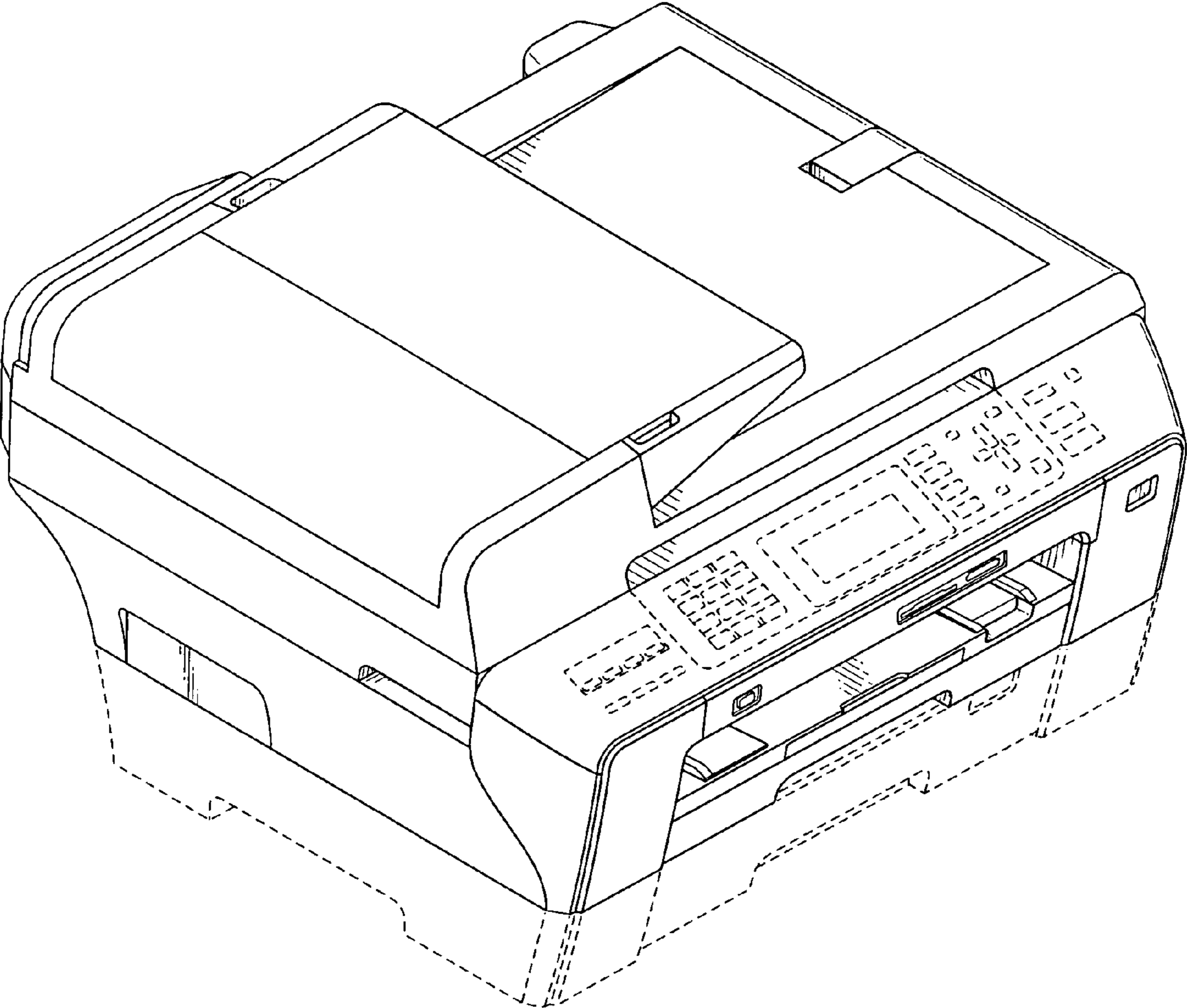


FIG. 1

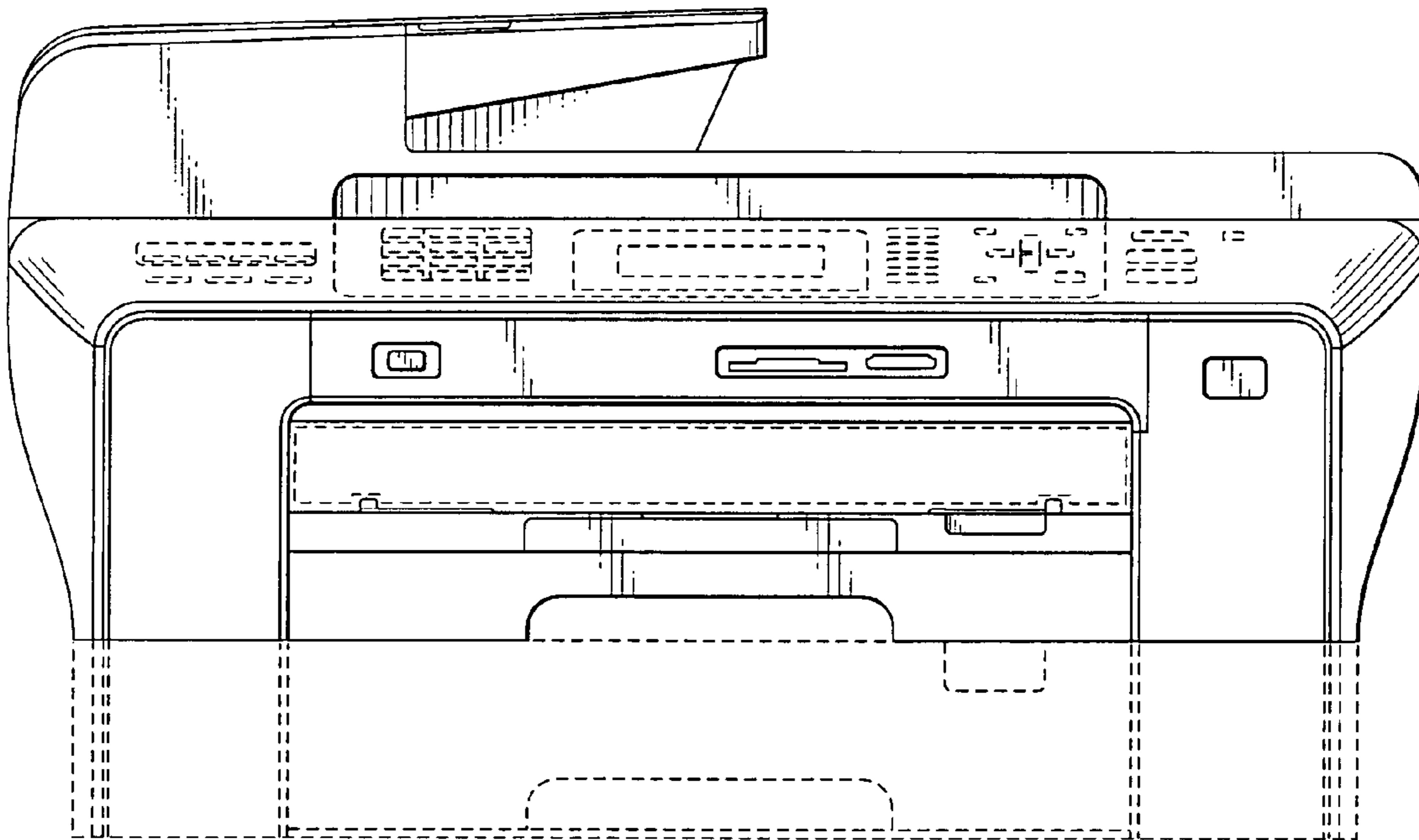


FIG. 2

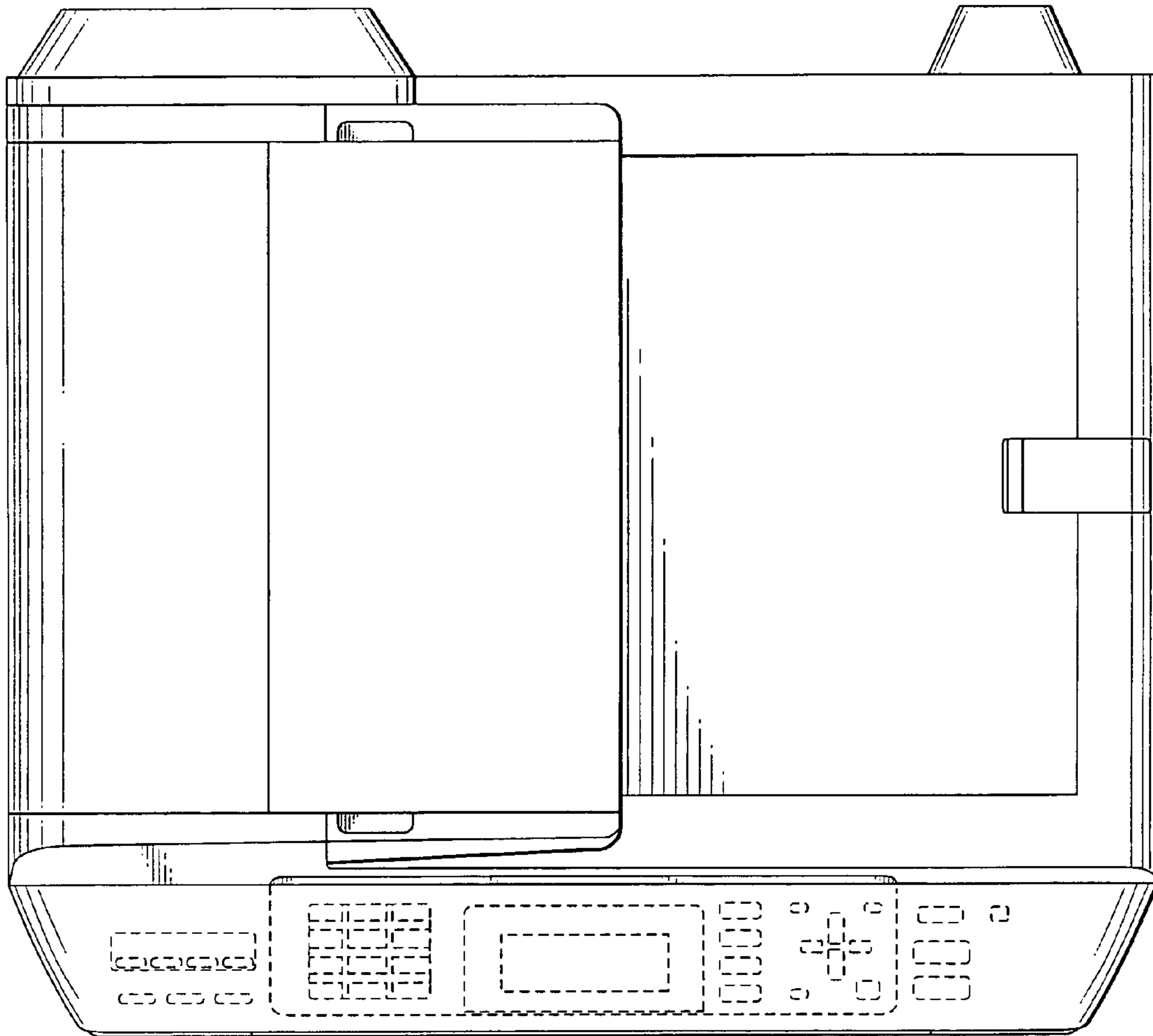


FIG. 3

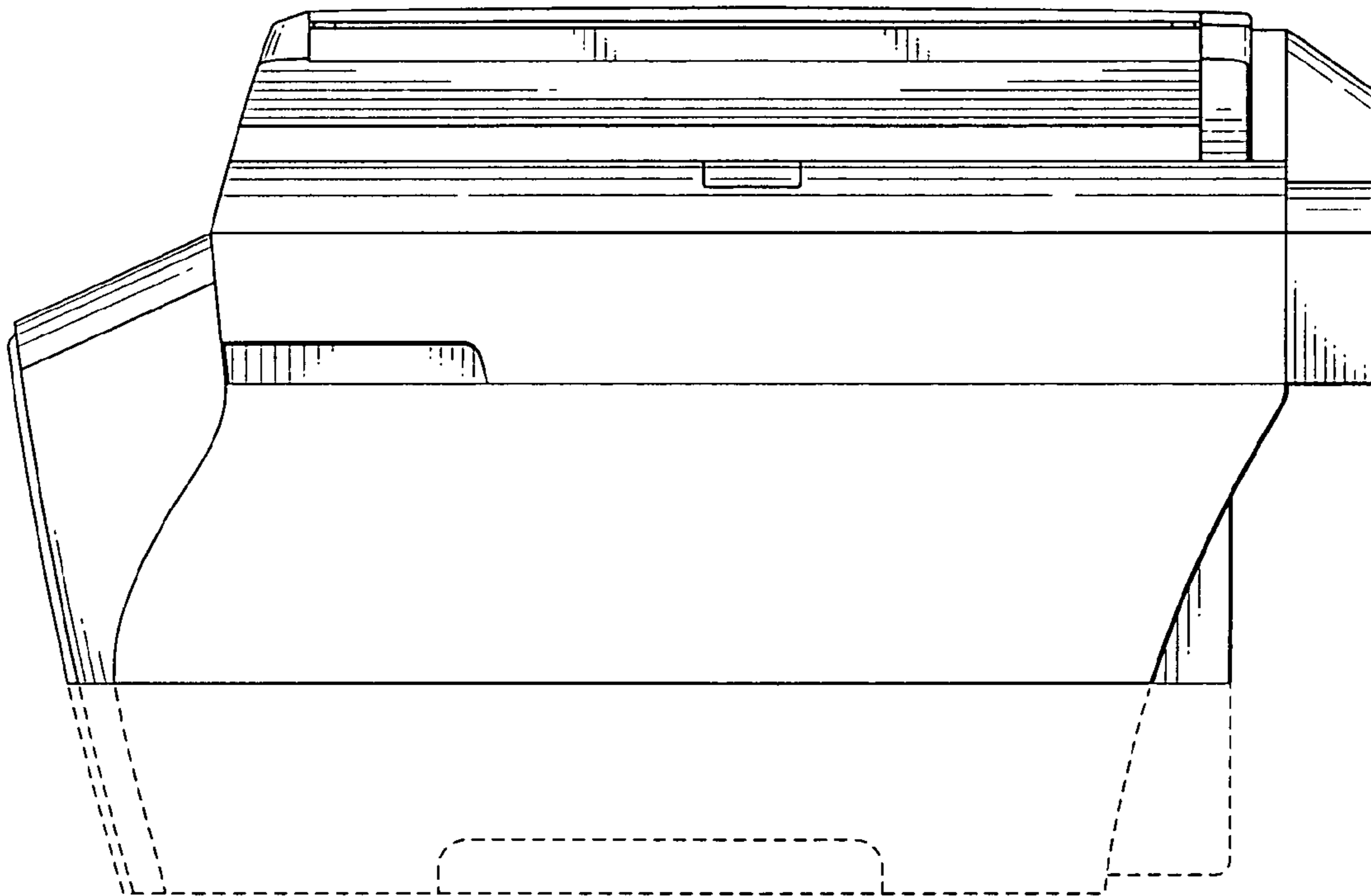


FIG. 4

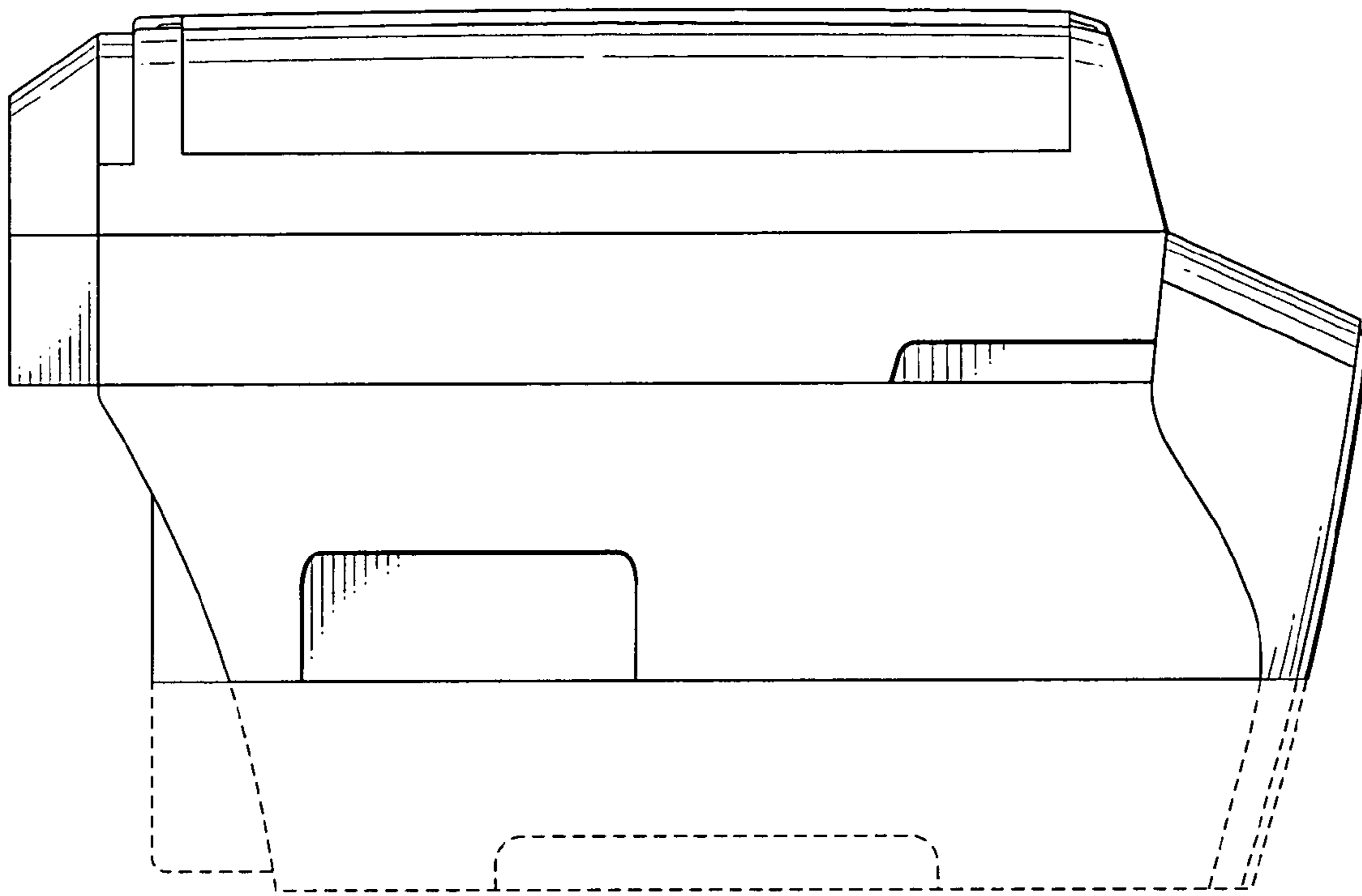


FIG. 5

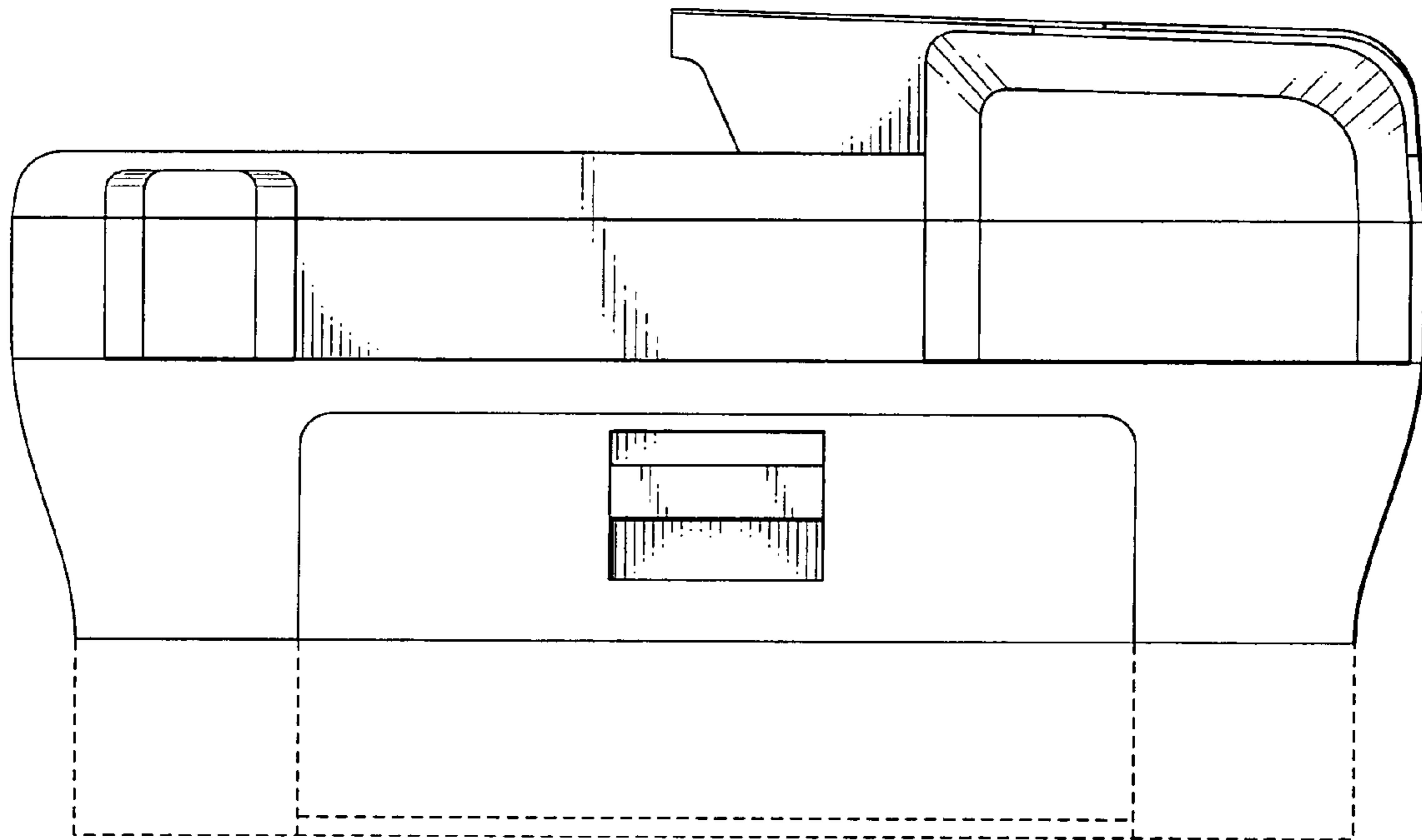


FIG. 6

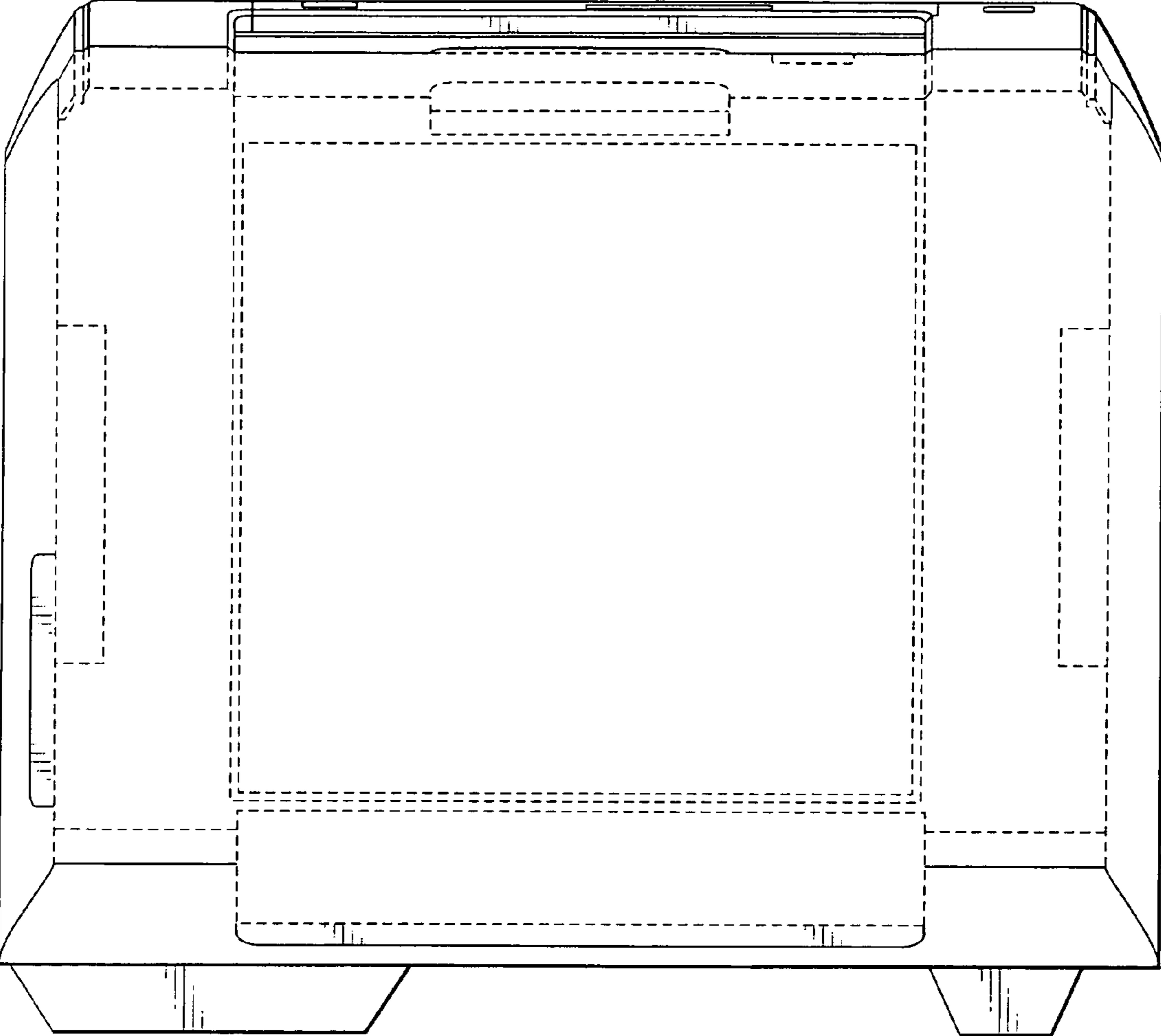


FIG. 7