



US00D586381S

(12) **United States Design Patent**  
**Yee**

(10) **Patent No.:** **US D586,381 S**  
(45) **Date of Patent:** **\*\* Feb. 10, 2009**

(54) **EYEGLASS**

(75) Inventor: **Peter Yee**, Irvine, CA (US)

(73) Assignee: **Oakley, Inc.**, Foothill Ranch, CA (US)

(\*\*) Term: **14 Years**

(21) Appl. No.: **29/310,295**

(22) Filed: **Aug. 6, 2008**

(51) **LOC (9) Cl.** ..... **16-06**

(52) **U.S. Cl.** ..... **D16/326; D16/335**

(58) **Field of Classification Search** ..... D16/101,  
D16/300-342; D29/109-110; D24/110.2;  
351/41, 44, 51-52, 62, 158, 92, 103-123,  
351/140, 153; 2/426-432, 447-449, 441,  
2/434-437; D21/483, 659-661

See application file for complete search history.

(56) **References Cited**

**U.S. PATENT DOCUMENTS**

D193,028 S 2/1962 Petitto  
D257,854 S \* 1/1981 Beane ..... D16/326  
D417,686 S \* 12/1999 Hartman ..... D16/321  
D545,872 S \* 7/2007 Yee et al. .... D16/335

D553,368 S 10/2007 Yee et al.  
D555,187 S 11/2007 Yee  
D561,814 S \* 2/2008 Thixton et al. .... D16/326  
D565,090 S \* 3/2008 Yee ..... D16/326

\* cited by examiner

*Primary Examiner*—Raphael Barkai

(74) *Attorney, Agent, or Firm*—Gregory K. Nelson

(57) **CLAIM**

The ornamental design for an eyeglass, as shown and described.

**DESCRIPTION**

FIG. 1 is a front perspective view of the eyeglass of the present invention;

FIG. 2 is a front elevational view thereof;

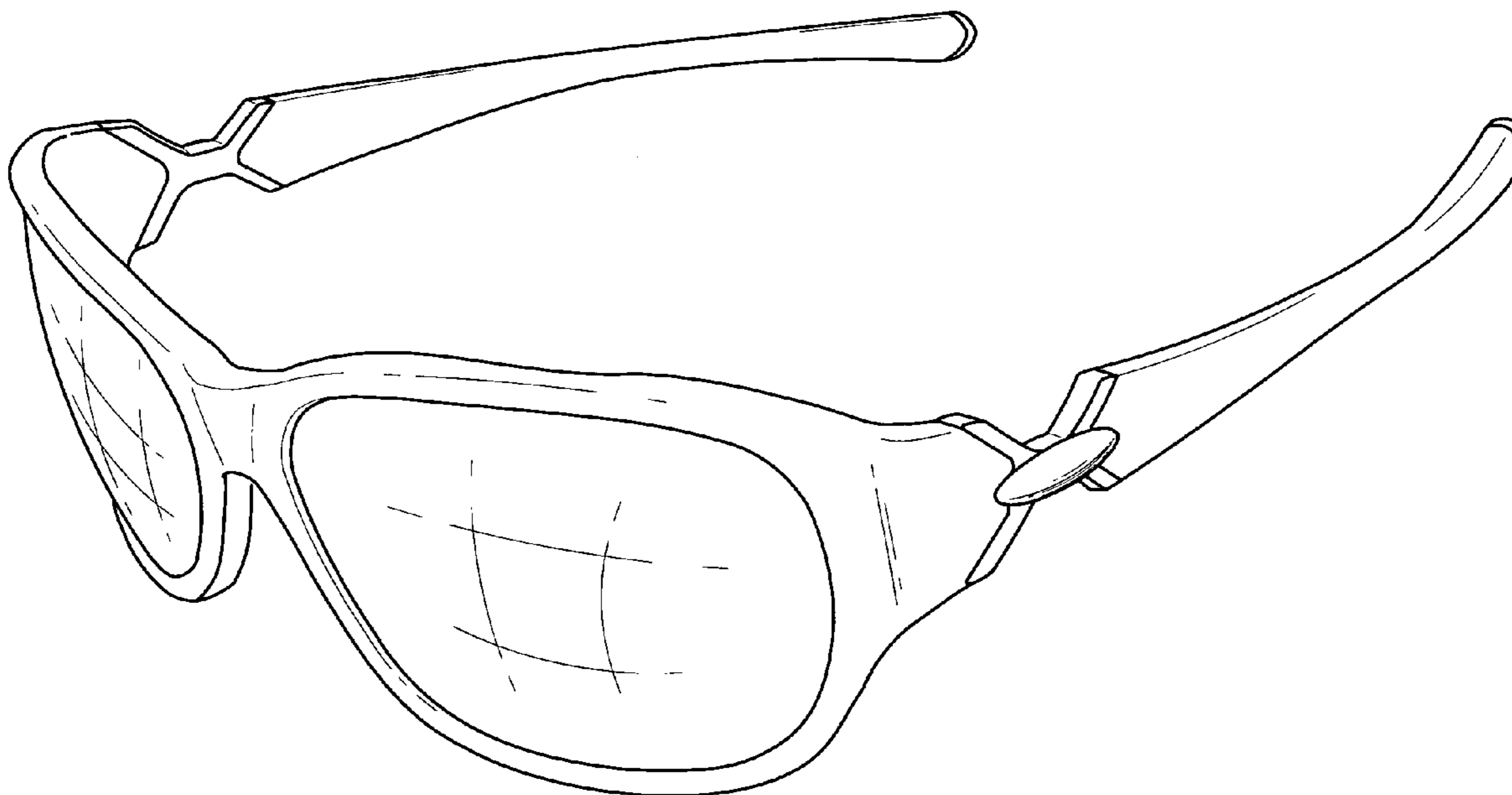
FIG. 3 is a rear elevational view thereof;

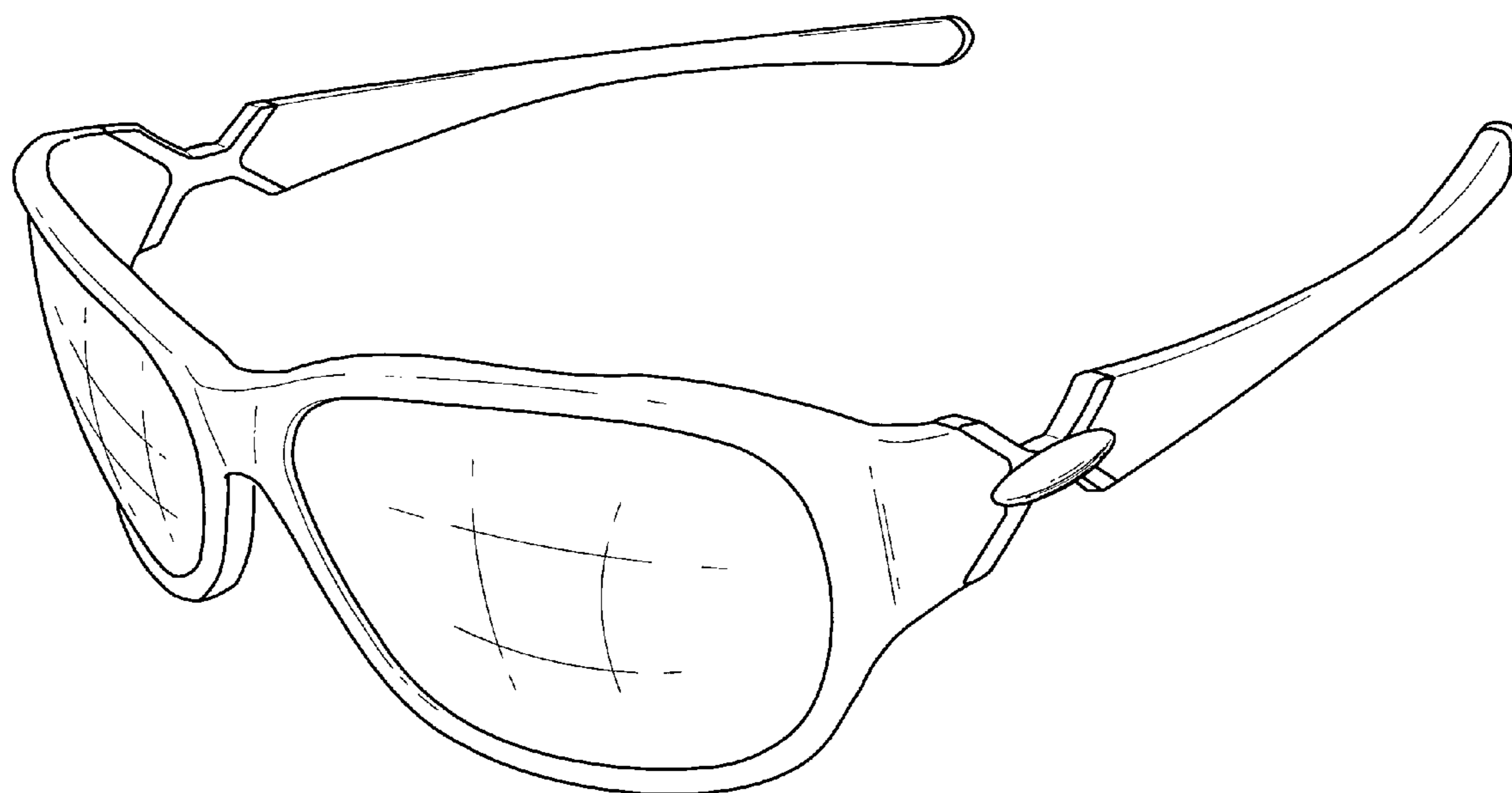
FIG. 4 is a left-side elevational view thereof, the right-side elevational view being a mirror image thereof;

FIG. 5 is a top plan view thereof; and,

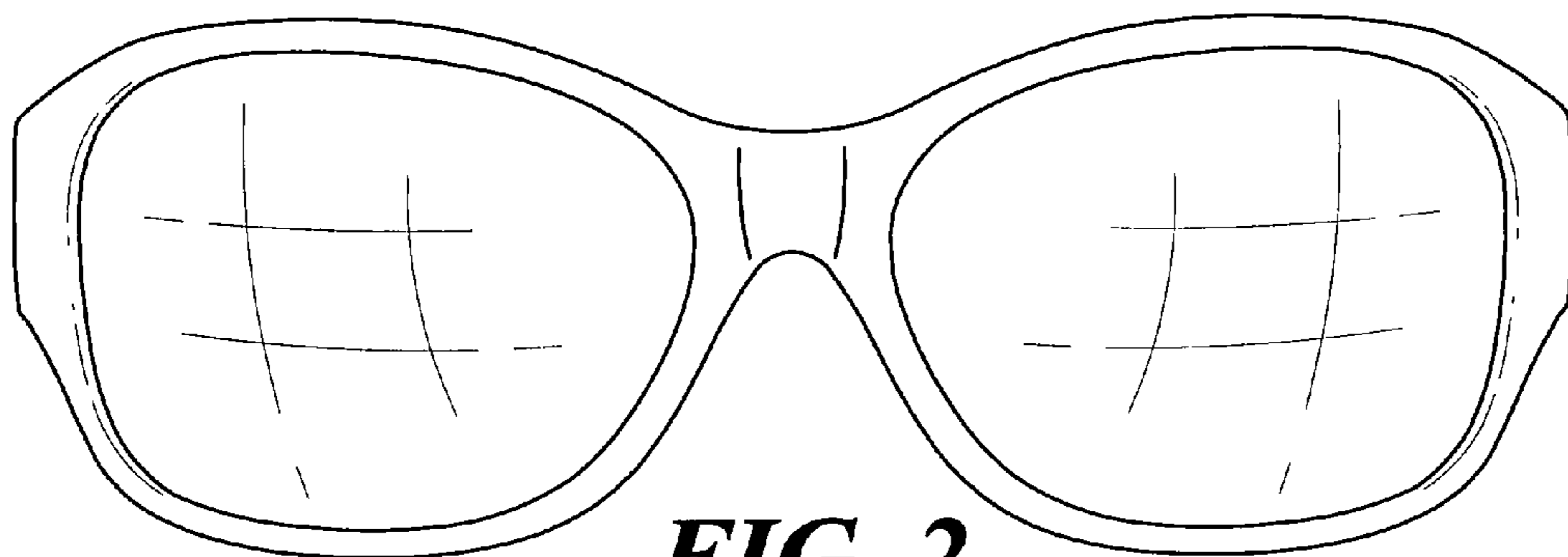
FIG. 6 is a bottom plan view thereof.

**1 Claim, 4 Drawing Sheets**

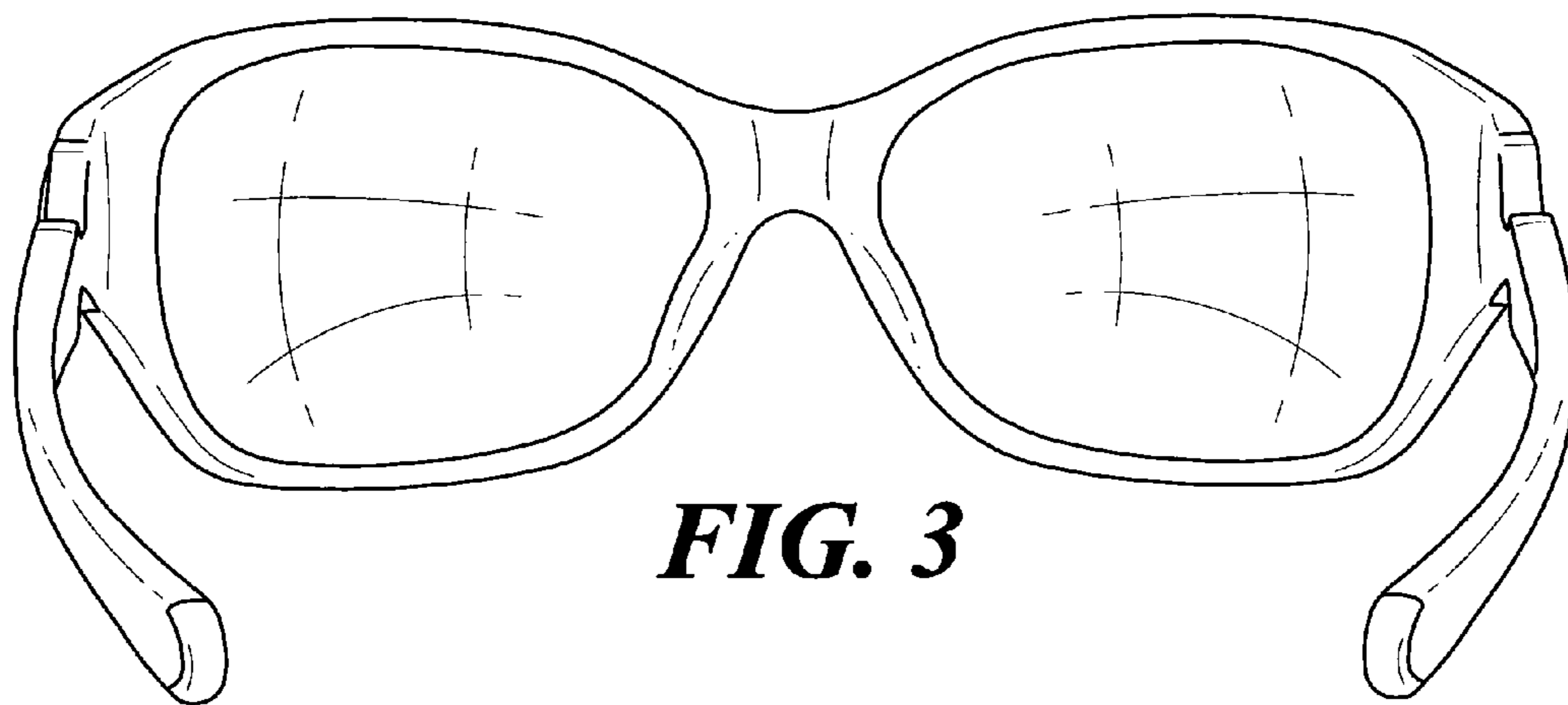




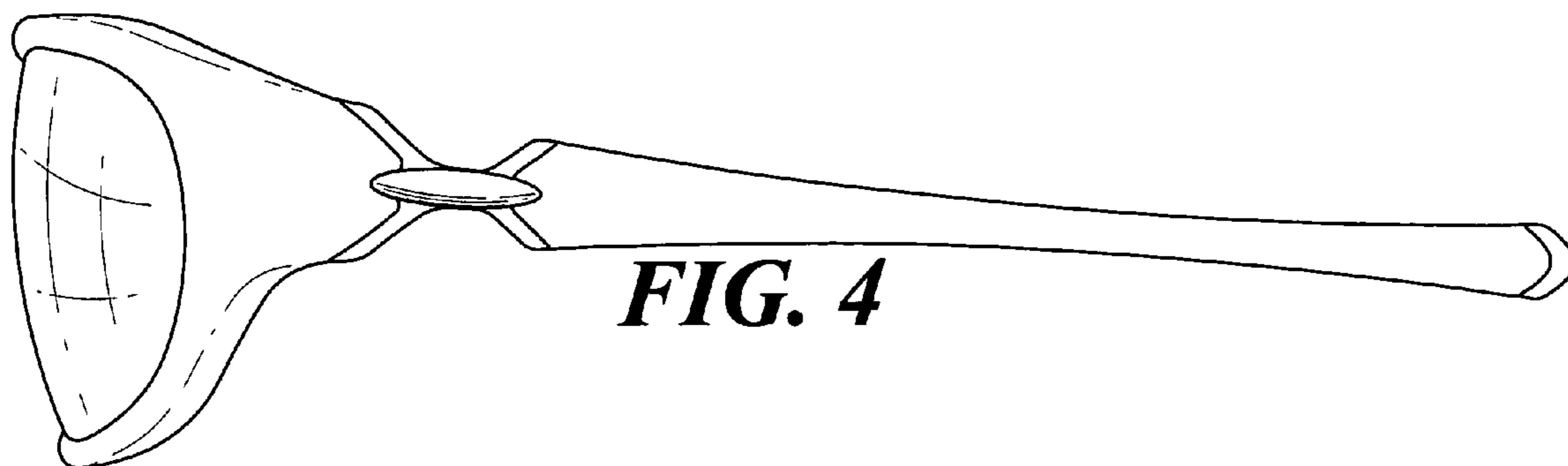
***FIG. 1***



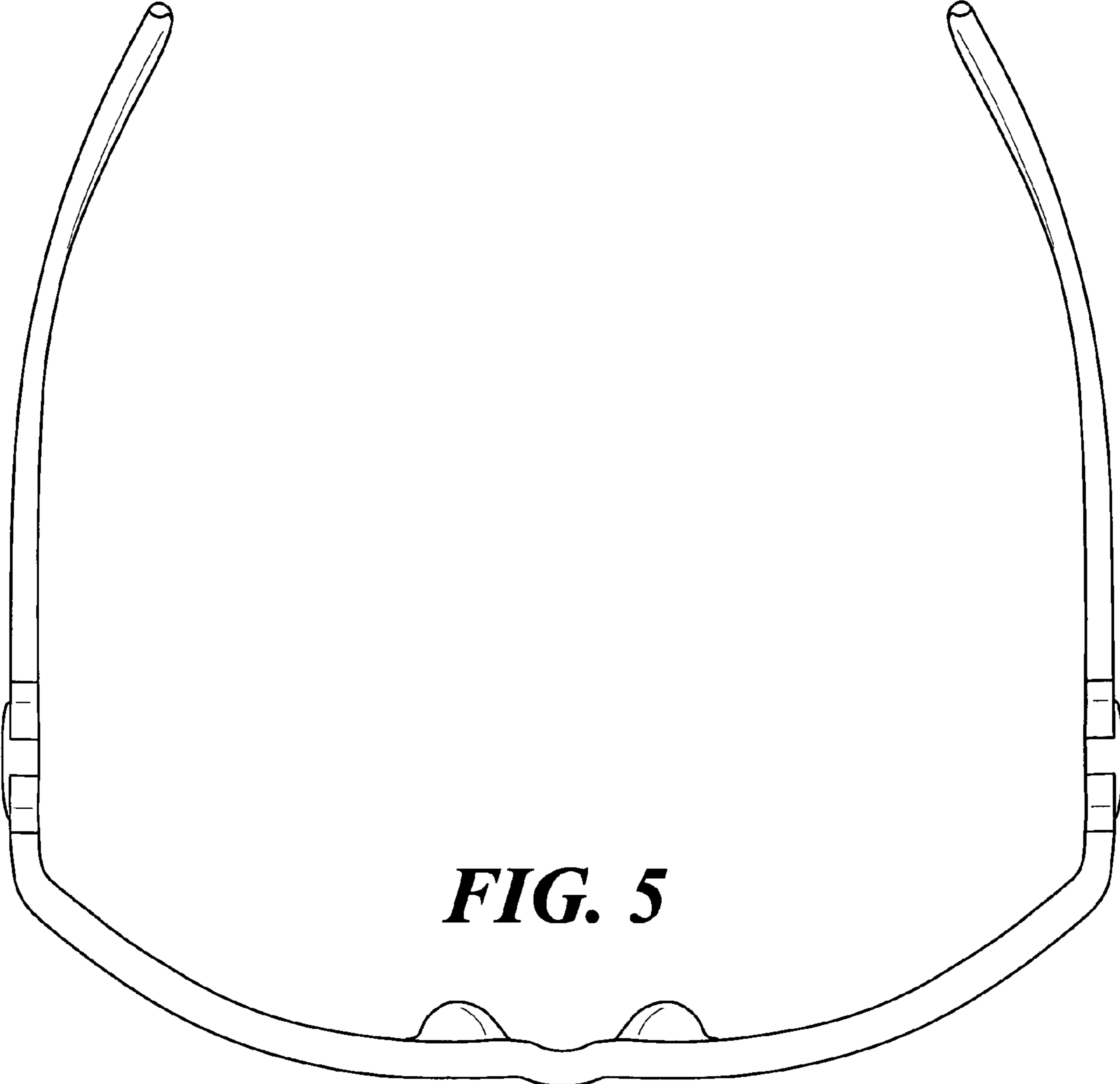
**FIG. 2**



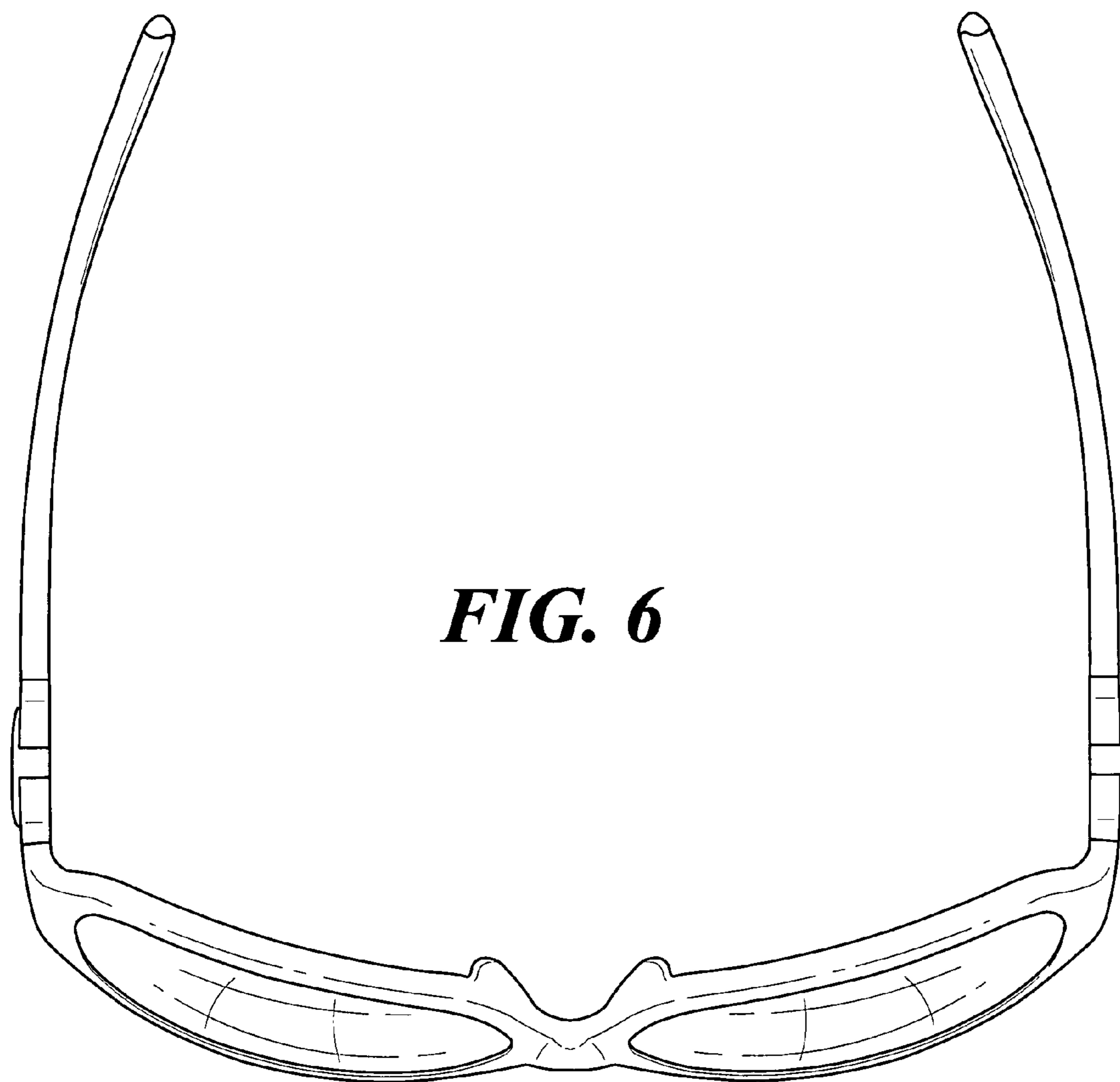
**FIG. 3**



**FIG. 4**



**FIG. 5**



***FIG. 6***