



US00D586377S

(12) **United States Design Patent**  
**Robles**

(10) **Patent No.:** **US D586,377 S**

(45) **Date of Patent:** **\*\* Feb. 10, 2009**

(54) **EYEGLOSS LENS BOOK MARKER**

(76) Inventor: **Synthia A. Robles**, 16432 SE. 263rd St.,  
Covington, WA (US) 98042

(\*\*) Term: **14 Years**

(21) Appl. No.: **29/319,174**

(22) Filed: **Jun. 5, 2008**

(51) **LOC (9) Cl.** ..... **16-06**

(52) **U.S. Cl.** ..... **D16/309; D16/306; D16/325;**  
D19/34

(58) **Field of Classification Search** ..... D16/101,  
D16/300-342, 135; D29/109-110; D24/110.2;  
351/41, 44, 51-52, 62, 158, 92, 103-123,  
351/140, 153; 2/426-432, 447-449, 441-436,  
2/434-437; D21/483, 659-661; D19/35

See application file for complete search history.

(56) **References Cited**

**U.S. PATENT DOCUMENTS**

1,886,747	A	11/1932	Schroder	
2,323,518	A *	7/1943	Cochran	351/63
4,508,526	A *	4/1985	Dutcher	351/47
4,805,680	A	2/1989	Ueno	
5,101,300	A	3/1992	Hicks	
D327,082	S *	6/1992	MacWilliamson	D16/314
5,120,119	A *	6/1992	Mats	351/158

D336,307	S *	6/1993	Jones et al.	D16/325
D354,298	S *	1/1995	Keong	D16/306
D365,363	S	12/1995	Terino	
5,559,632	A *	9/1996	Lawrence et al.	351/44
5,886,771	A *	3/1999	Osgood	352/43
5,938,014	A *	8/1999	Wilkinson	206/216
5,999,336	A	12/1999	Yang, Jr.	
D431,042	S *	9/2000	Lin	D16/304
6,982,840	B1	1/2006	Schlieff	

\* cited by examiner

*Primary Examiner*—Raphael Barkai

(74) *Attorney, Agent, or Firm*—Kyle Fletcher

(57) **CLAIM**

The ornamental design for the eyeglass lens book marker, as shown and described.

**DESCRIPTION**

FIG. 1 is a front view of the device.

FIG. 2 is a rear view of the device.

FIG. 3 is a right view of the device.

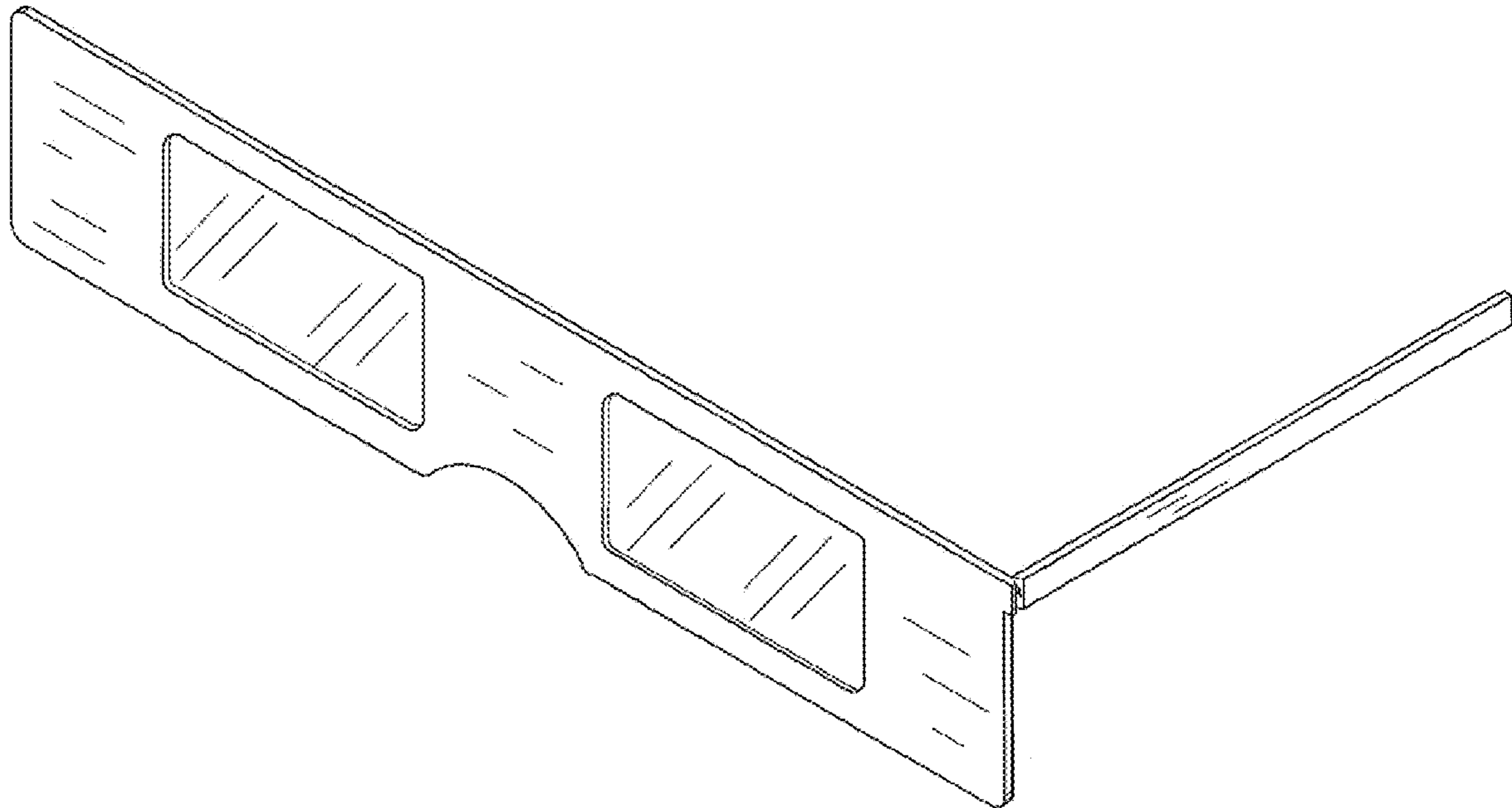
FIG. 4 is a left view of the device.

FIG. 5 is a top view of the device.

FIG. 6 is a bottom view of the device; and,

FIG. 7 is an isometric view of the device.

**1 Claim, 3 Drawing Sheets**



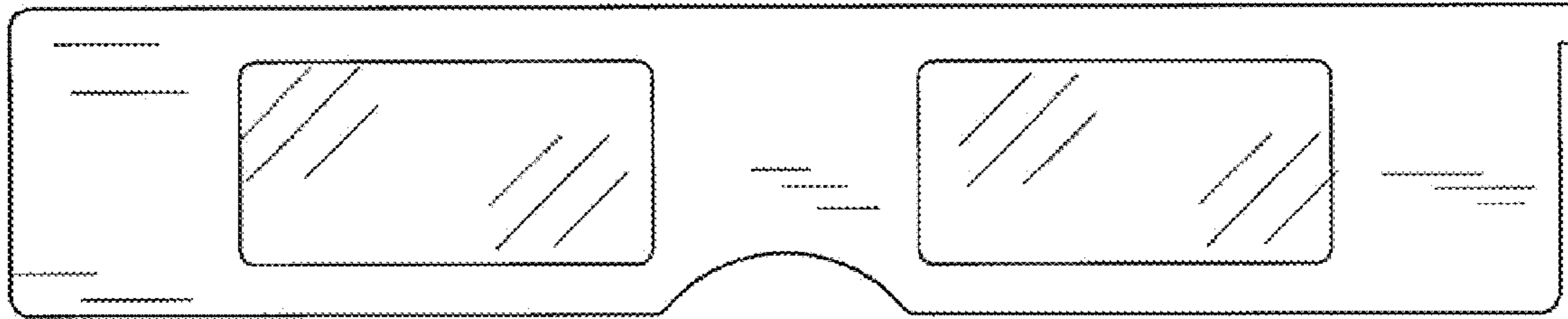


FIG. 1

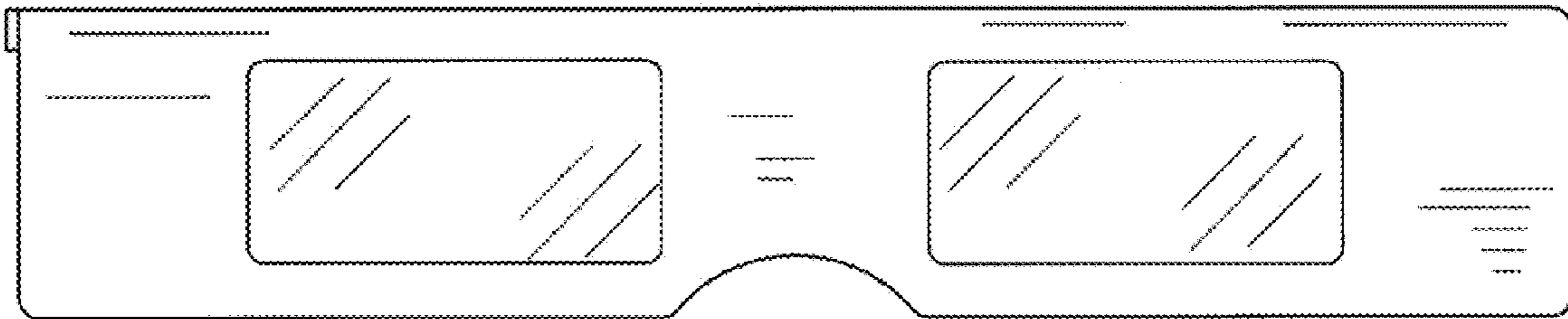


FIG. 2



FIG. 3

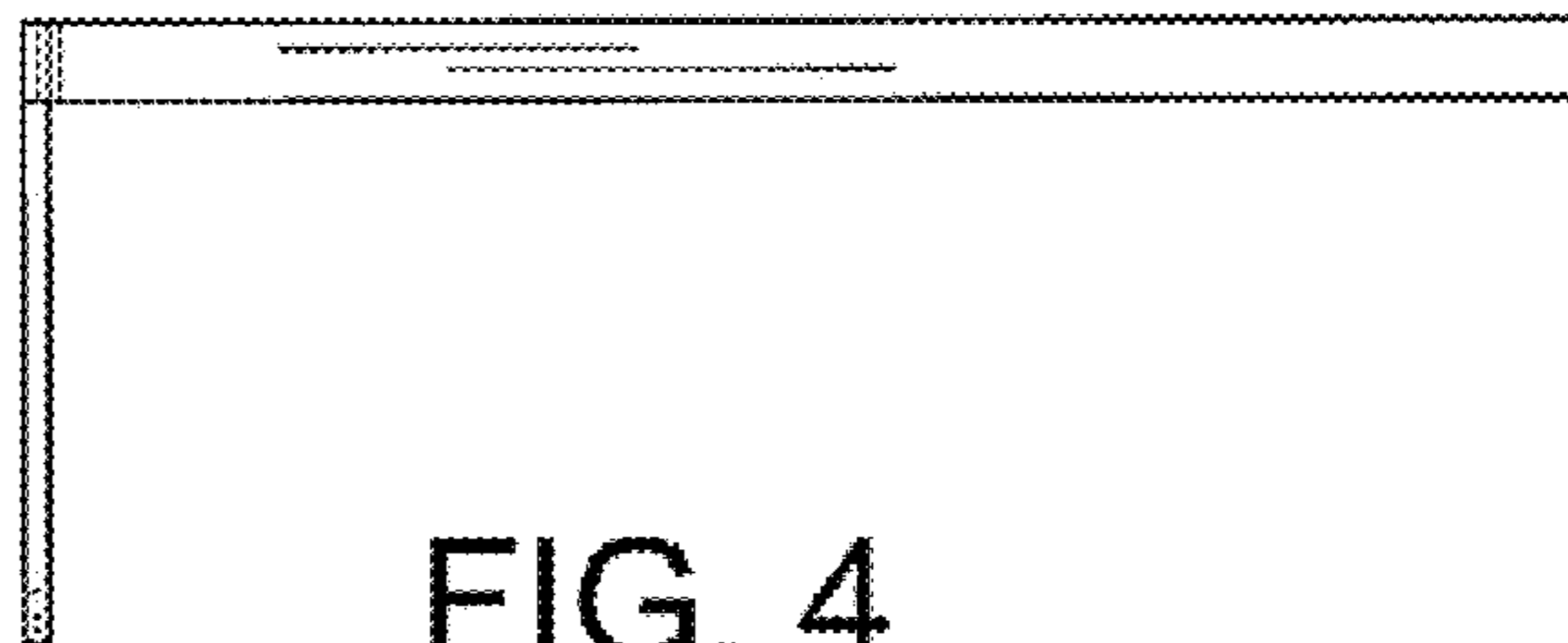


FIG. 4

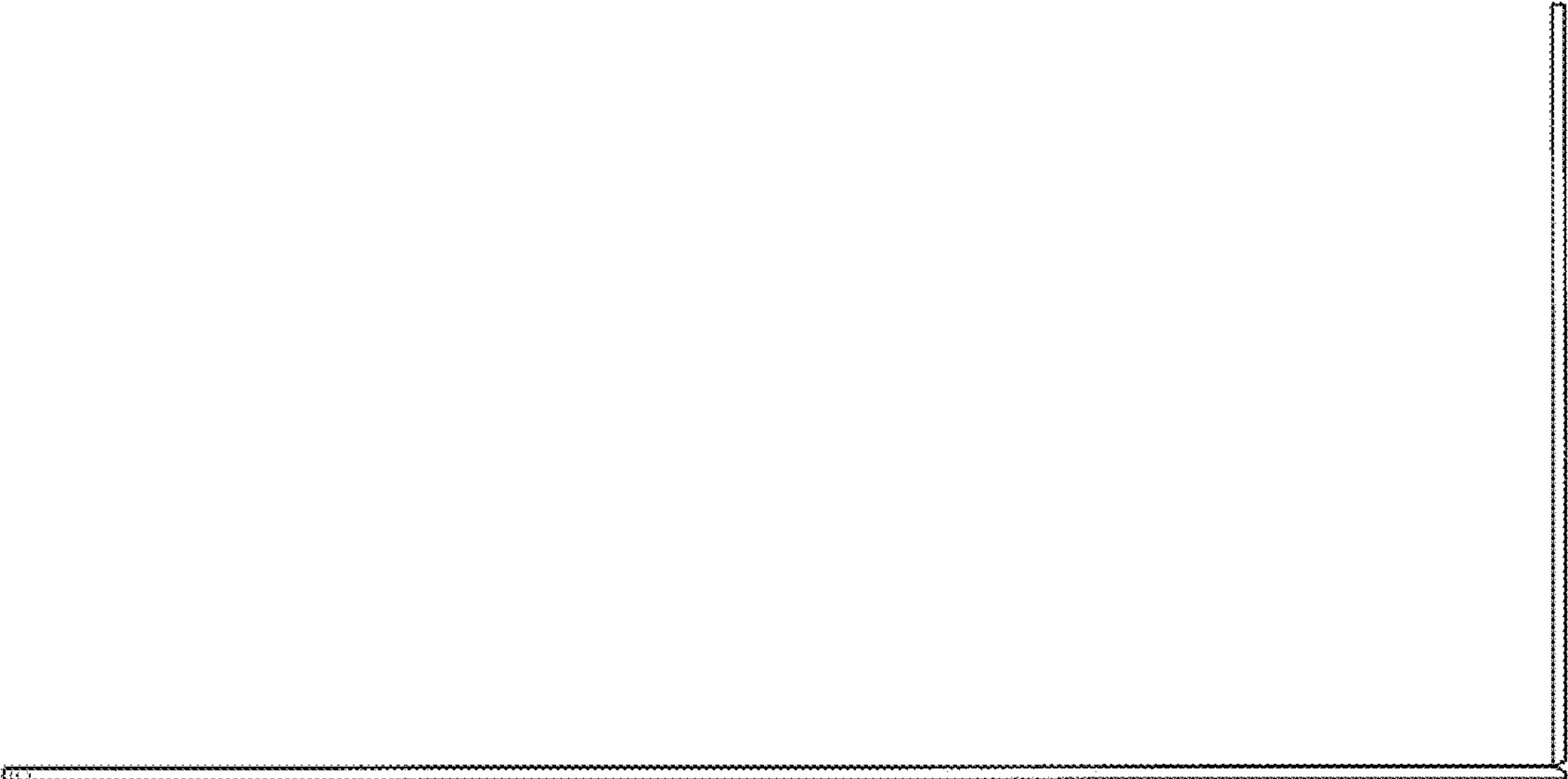


FIG. 5

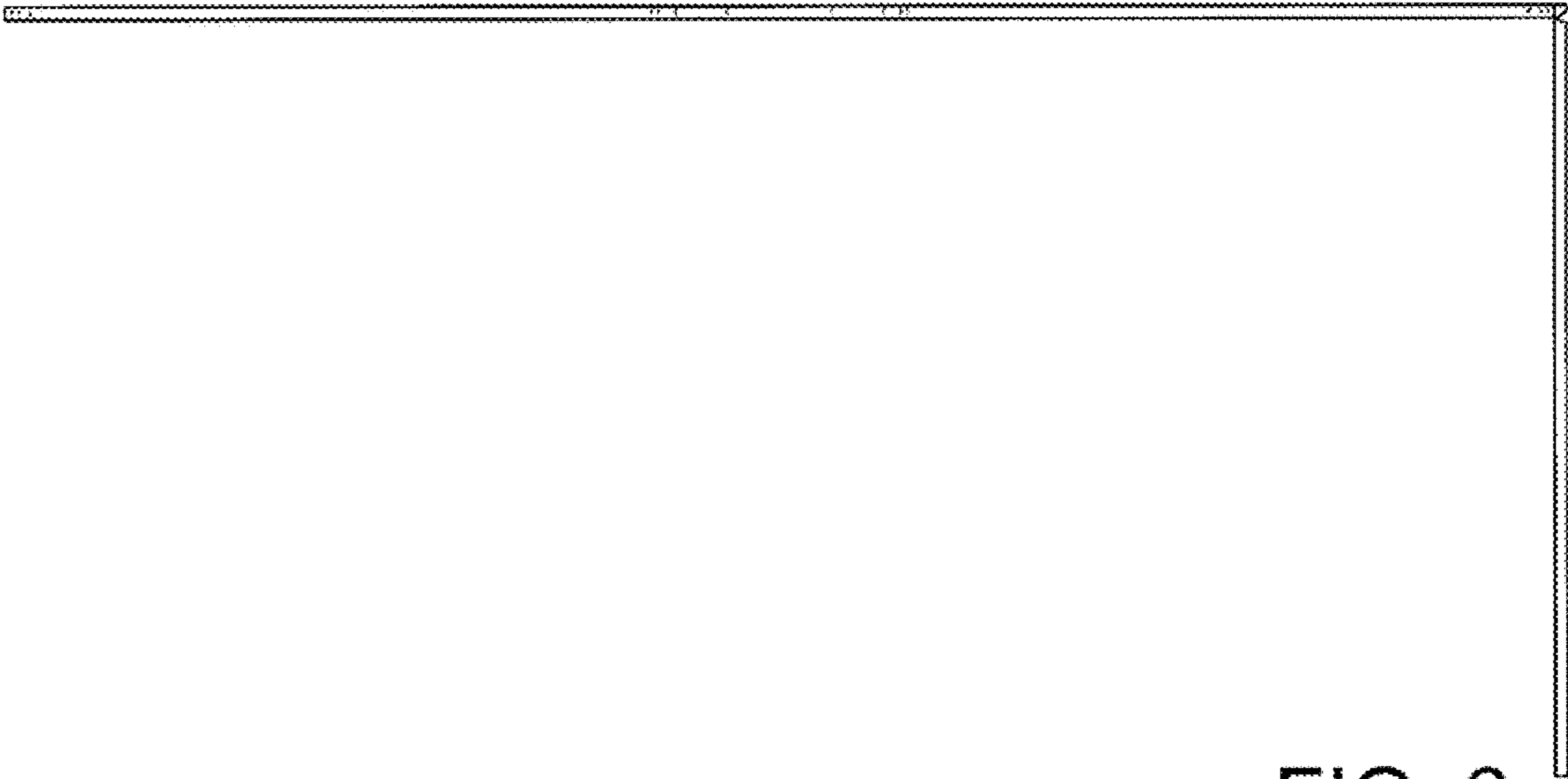


FIG. 6

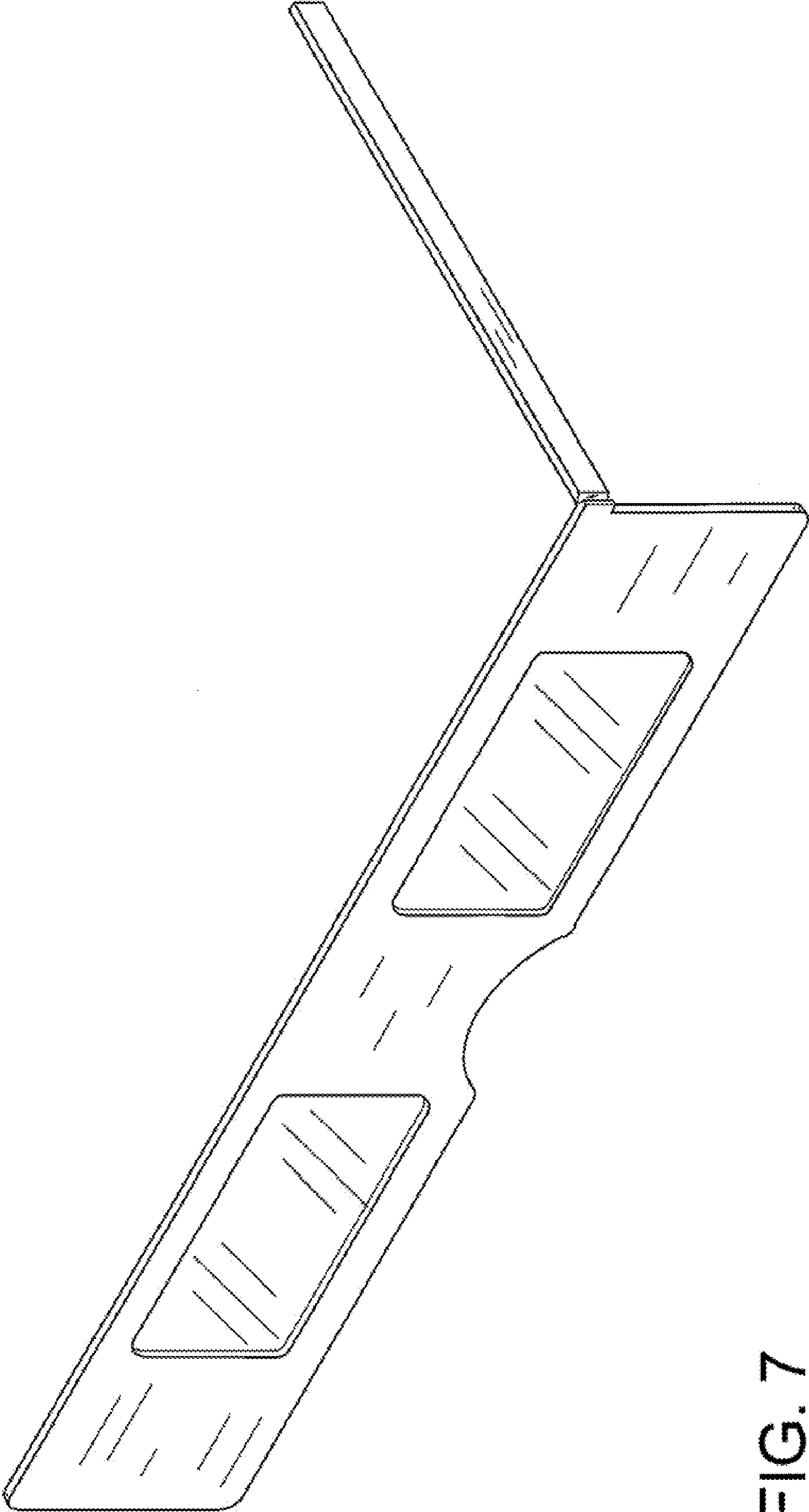


FIG. 7