



US00D586375S

(12) **United States Design Patent**
Hayashi

(10) **Patent No.:** **US D586,375 S**
(45) **Date of Patent:** **** Feb. 10, 2009**

(54) **DIGITAL CAMERA**

(75) Inventor: **Tatsuyuki Hayashi**, Tokyo (JP)

(73) Assignee: **Pentax Corporation**, Tokyo (JP)

(**) Term: **14 Years**

(21) Appl. No.: **29/299,151**

(22) Filed: **Dec. 20, 2007**

(30) **Foreign Application Priority Data**

Jul. 11, 2007 (JP) 2007-018806

(51) **LOC (9) Cl.** **16-01**

(52) **U.S. Cl.** **D16/202**

(58) **Field of Classification Search** D16/200–204,
D16/208, 218, 219; 348/373–376; 358/909.1;
396/535–541

See application file for complete search history.

(56) **References Cited**

U.S. PATENT DOCUMENTS

D516,599 S *	3/2006	Nakamura	D16/218
D533,574 S *	12/2006	Hamamura	D16/202
D546,854 S *	7/2007	Hayashi	D16/202
D548,257 S *	8/2007	Onuma et al.	D16/202
D558,246 S *	12/2007	Hayamizu	D16/202
D562,373 S *	2/2008	Nakamura	D16/202
D565,619 S *	4/2008	Nasu	D16/202
D568,357 S *	5/2008	Shimobayashi	D16/202
2005/0057685 A1 *	3/2005	Yamaguchi	348/375

OTHER PUBLICATIONS

Panasonic, DMC-FX30-K, <http://prodb.matsushita.co.jp/product/image.do?pg=10&vhb=DMC-FX30-K&ghj=1>, Feb. 7, 2008.

Panasonic, DMC-FX8-K, <http://prodb.matsushita.co.jp/product/image.do?pg=10&vhb=DMC-FX8-K&ghj=1>, Feb. 7, 2008.

Panasonic, DMC-FX01-K, <http://prodb.matsushita.co.jp/product/image.do?pg=10&vhb=DMC-FX01-K&ghj=1>, Feb. 7, 2008.

Weekly magazine “Askii” No. 545, Jul. 5, 2005, Design of digital camera.

Japanese Office Action dated Mar. 6, 2008.

* cited by examiner

Primary Examiner—Adir Aronovich

(74) *Attorney, Agent, or Firm*—Sughrue Mion, PLLC

(57) **CLAIM**

The ornamental design for a digital camera, as shown.

DESCRIPTION

FIG. 1 is a perspective view of the top, front and right side of a digital camera showing my new design

FIG. 2 is a perspective view of the bottom, rear and left side thereof;

FIG. 3 is a front elevational view thereof;

FIG. 4 is a rear elevational view thereof;

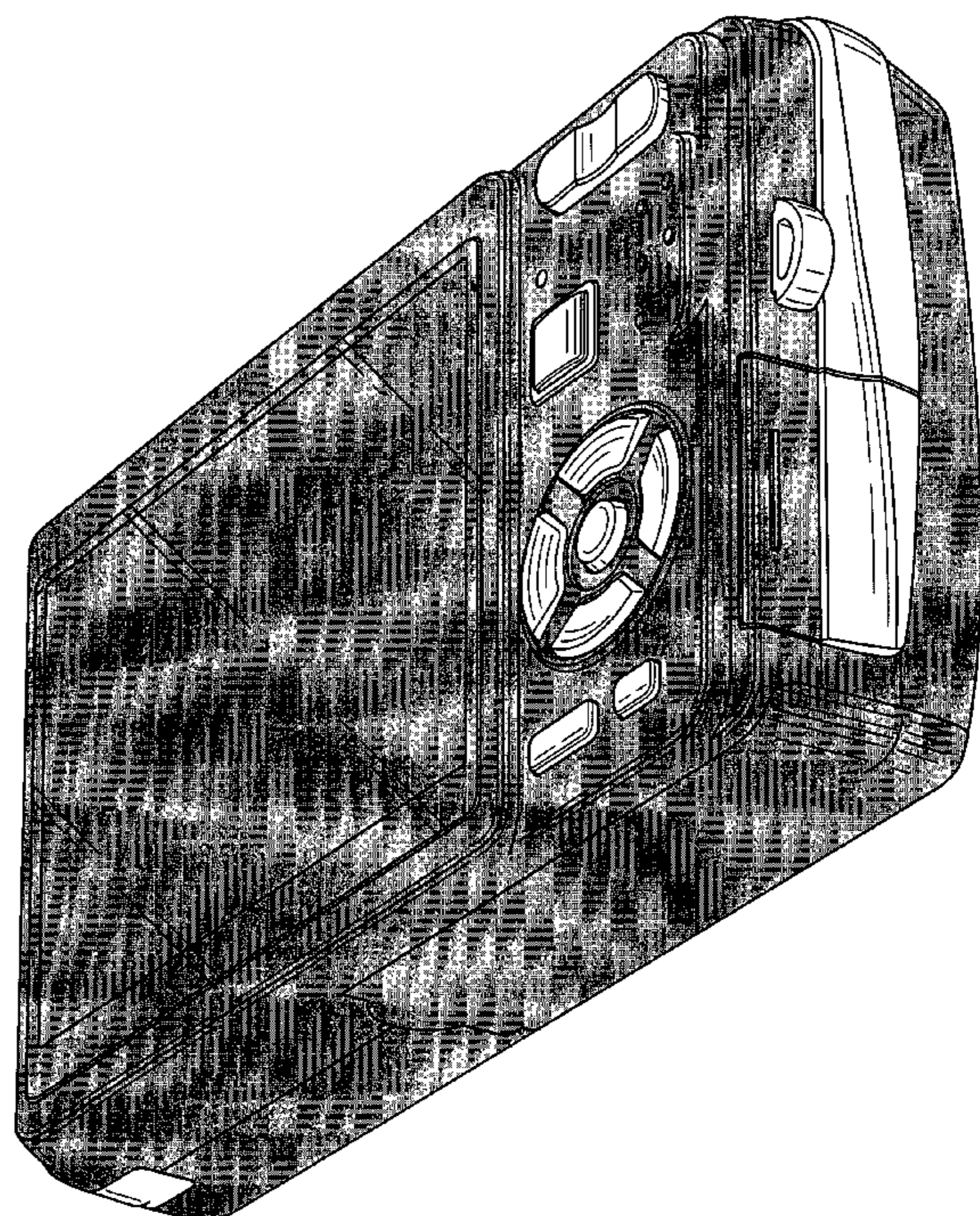
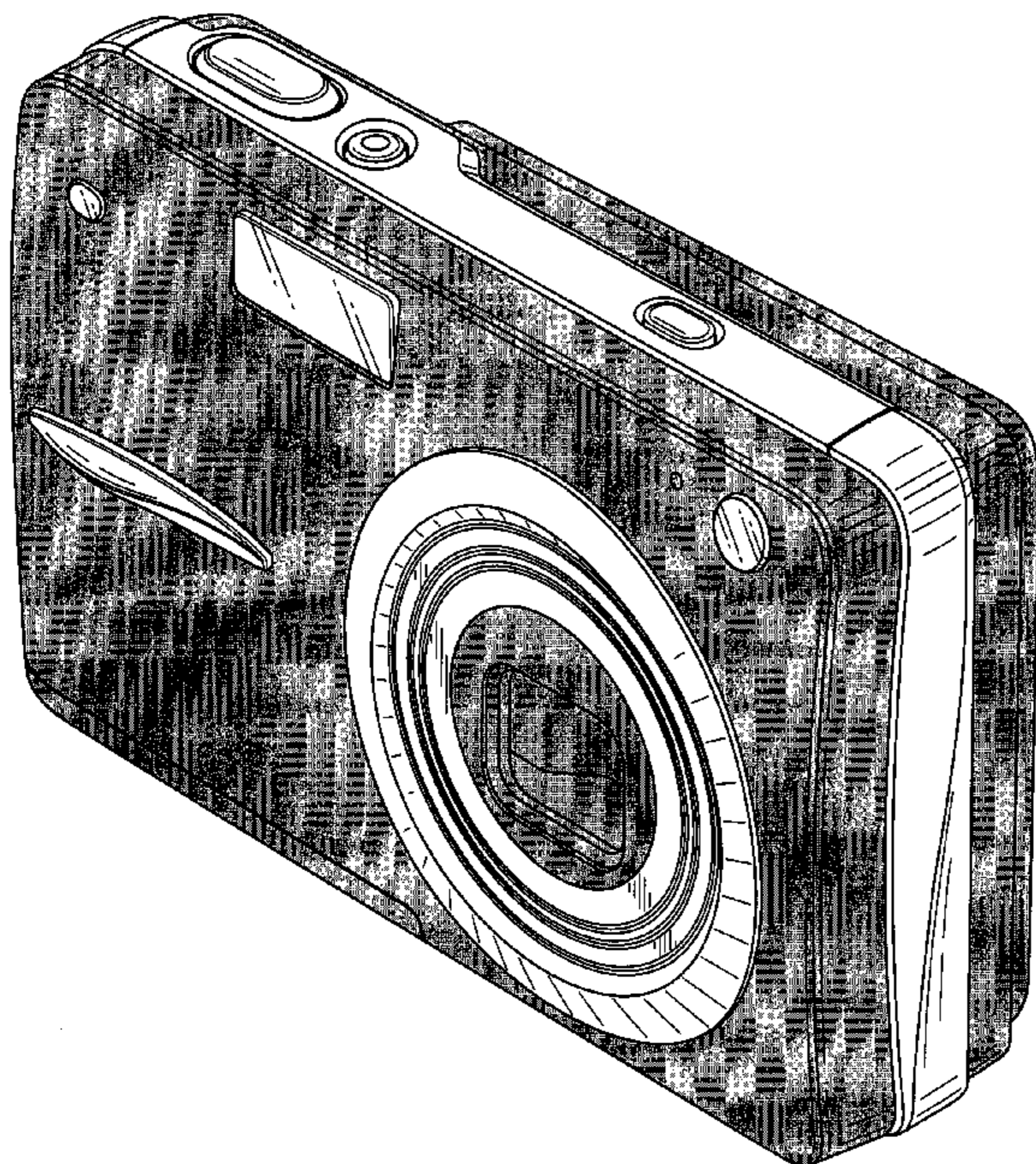
FIG. 5 is a left side elevational view thereof;

FIG. 6 is a right side elevational view thereof;

FIG. 7 is a top plan view thereof; and,

FIG. 8 is a bottom plan view thereof.

1 Claim, 6 Drawing Sheets



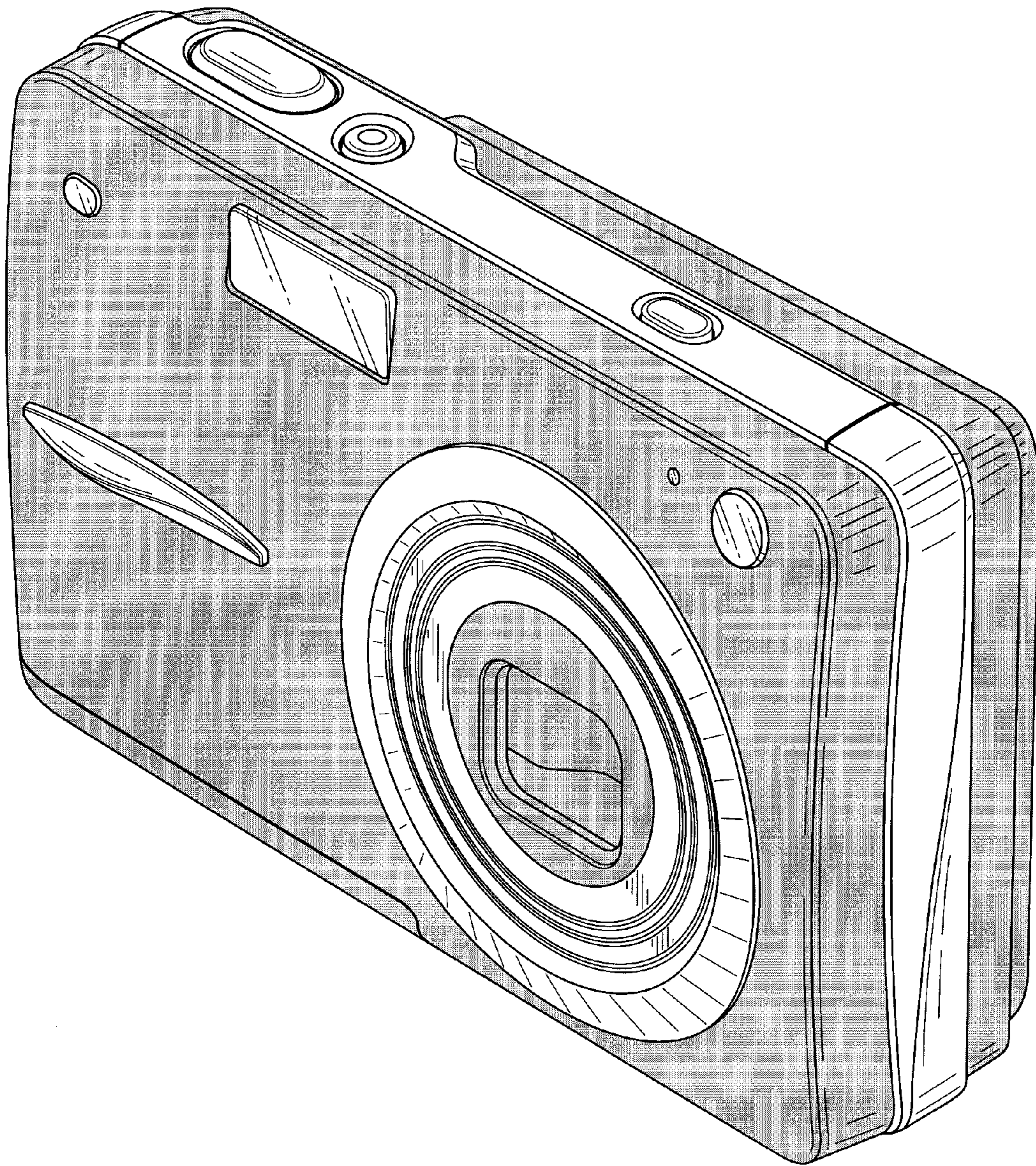


FIG. 1

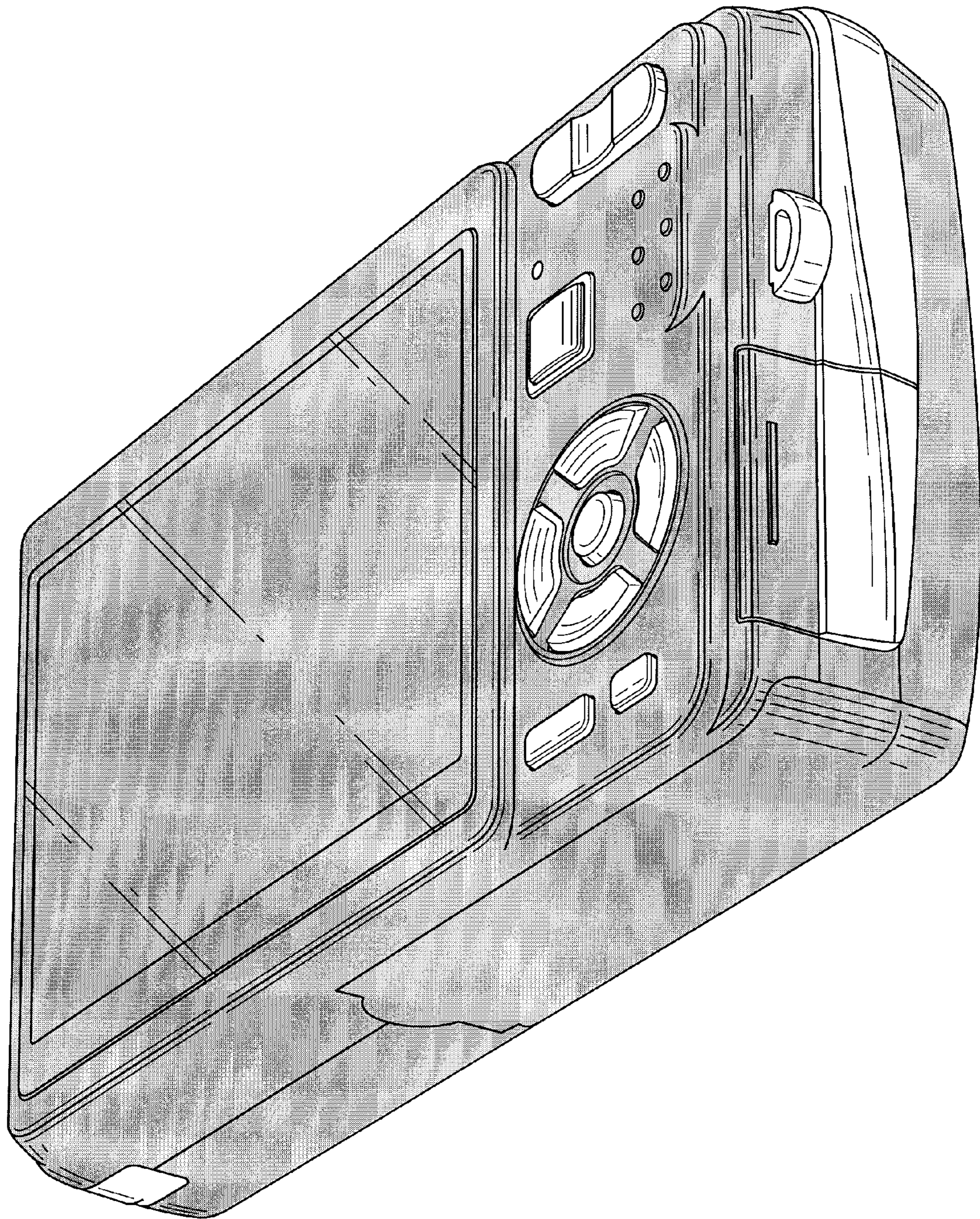


FIG. 2

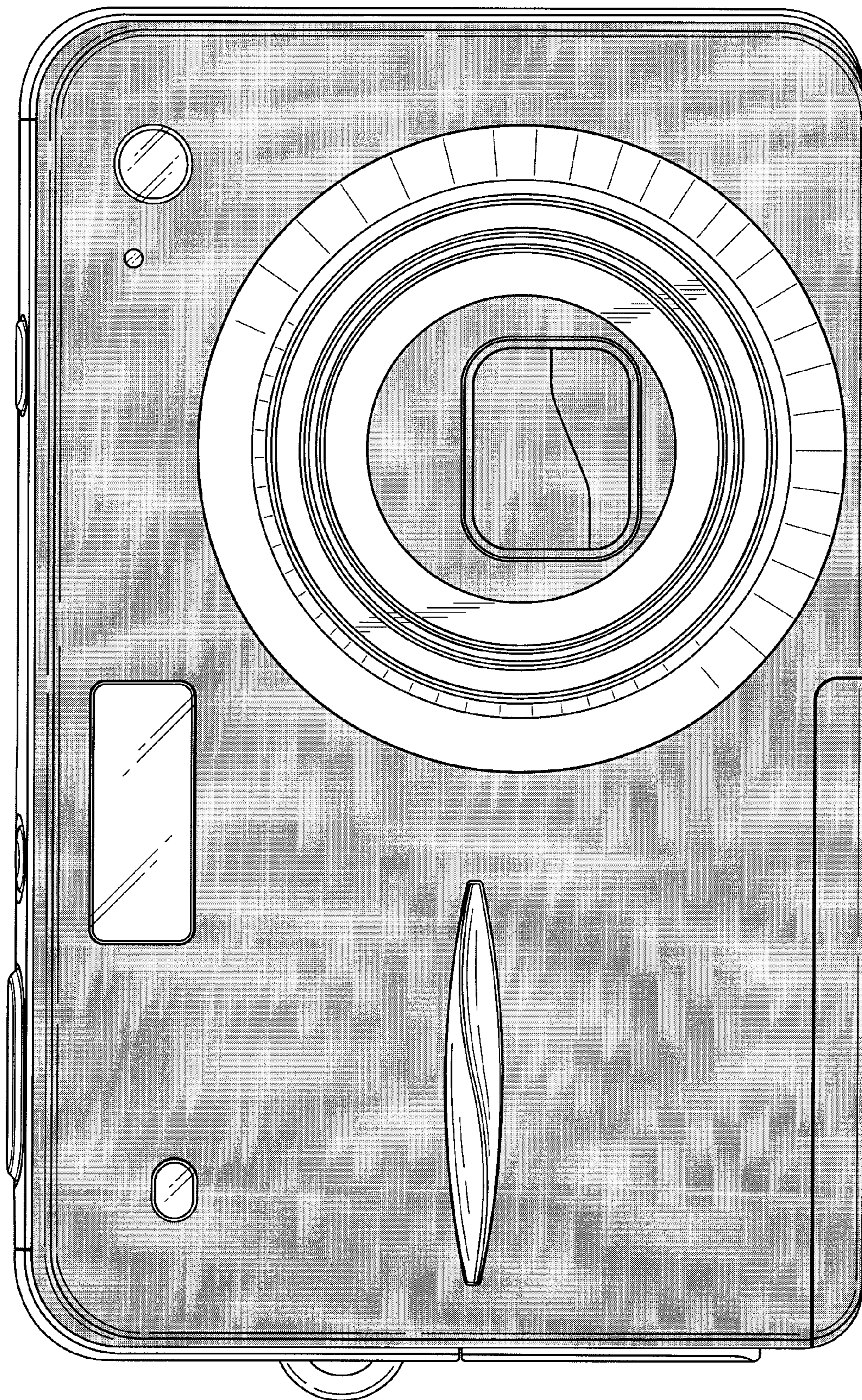


FIG. 3

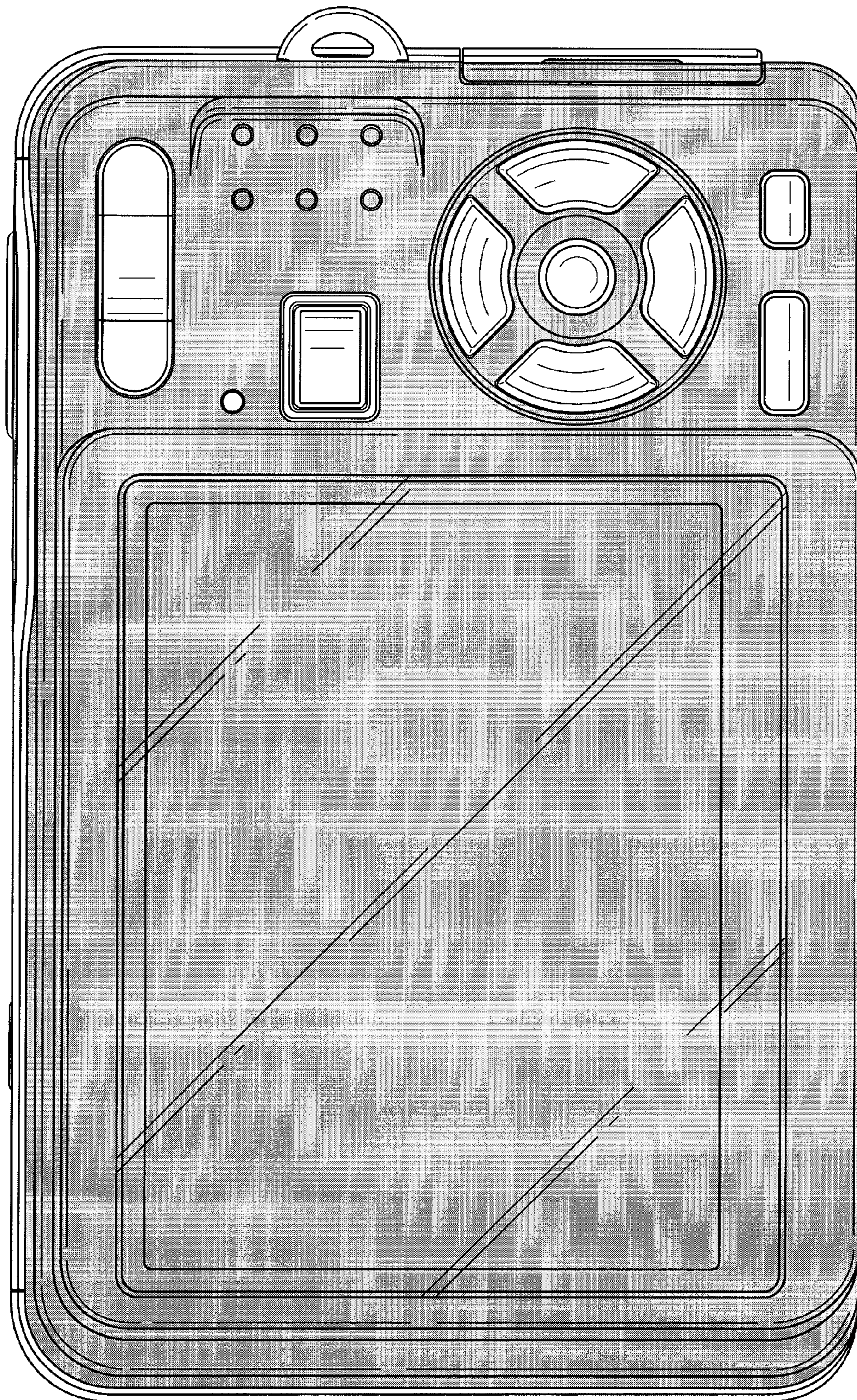


FIG. 4

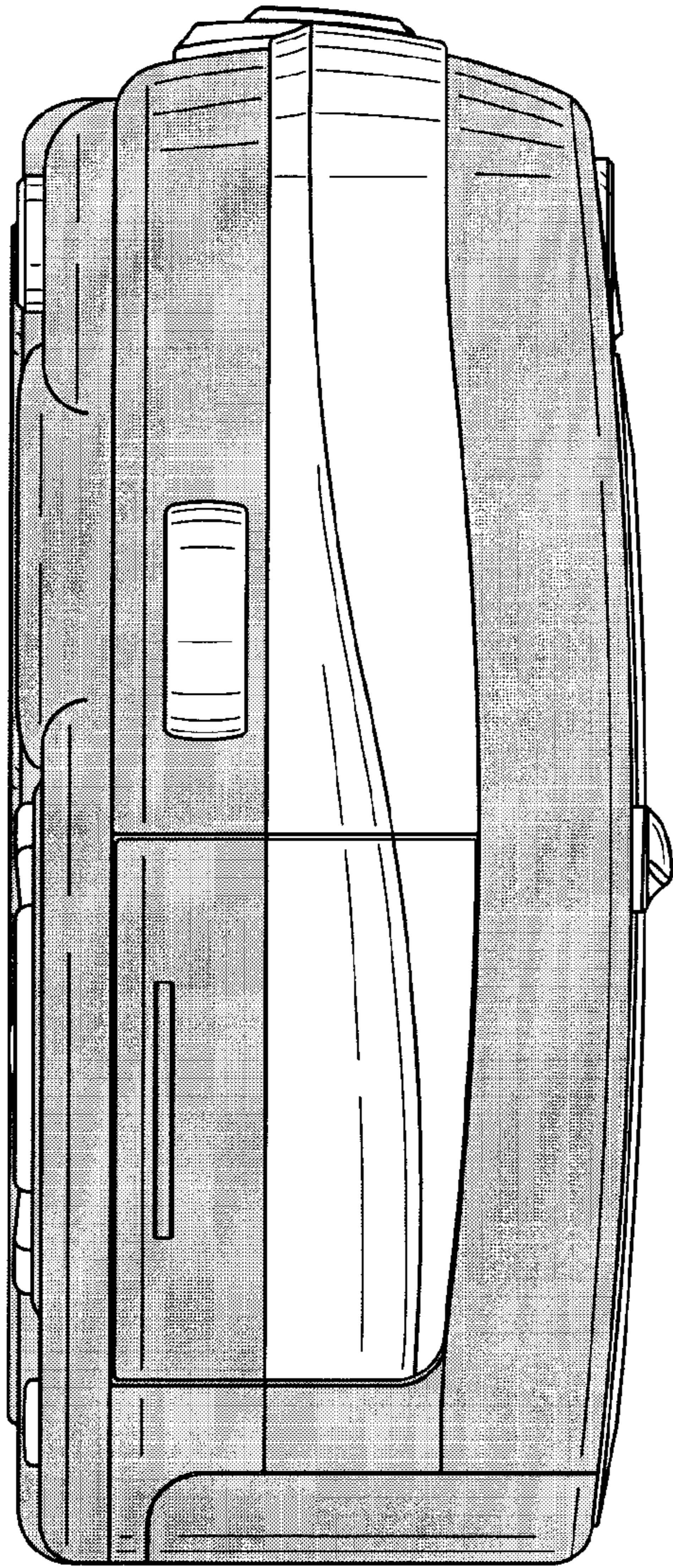


FIG. 5

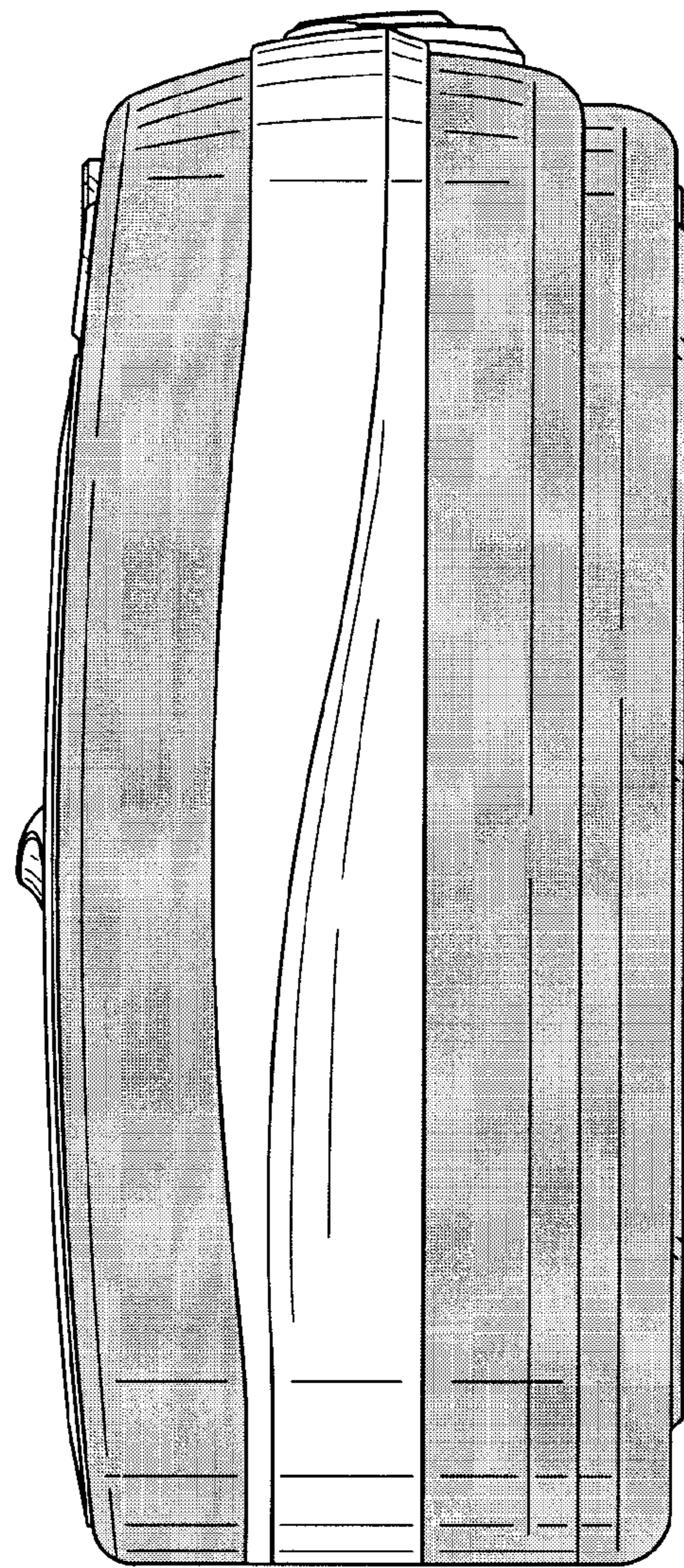


FIG. 6

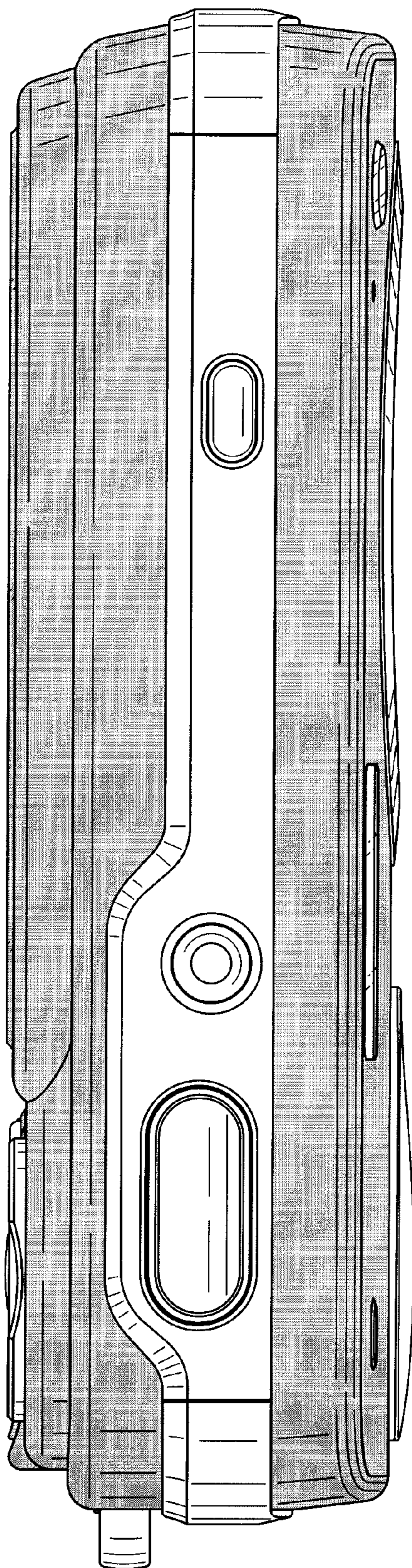


FIG. 7

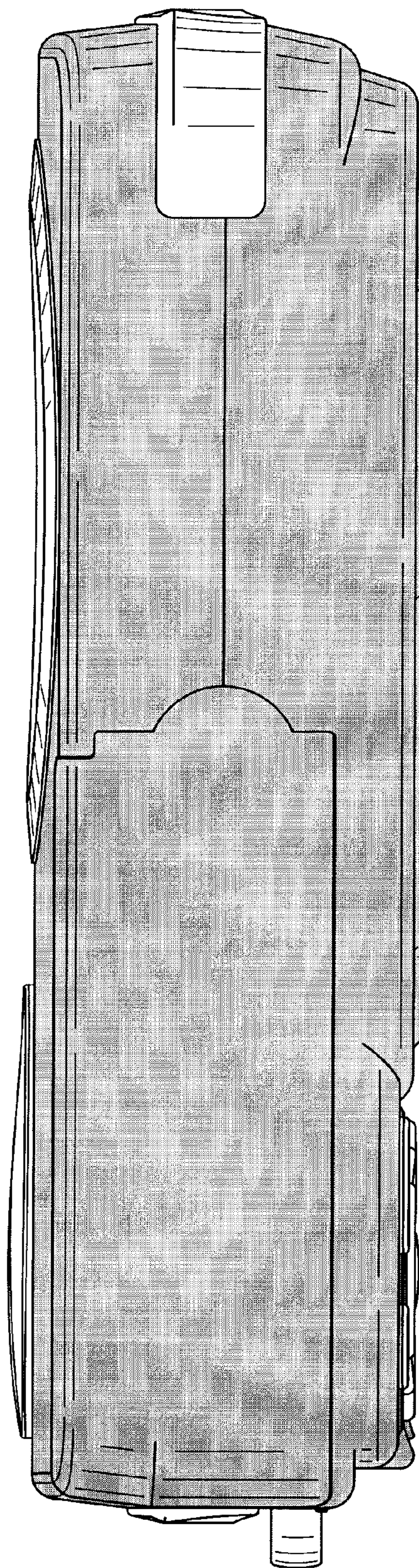


FIG. 8