



US00D586373S

(12) **United States Design Patent**  
**Schueren et al.**

(10) **Patent No.:** **US D586,373 S**

(45) **Date of Patent:** **\*\* Feb. 10, 2009**

(54) **SERVO DRIVE**

(75) Inventors: **Volker Schueren**, Marktheidenfeld (DE); **Alexander Seufert**, Unterpleichfeld (DE)

(73) Assignee: **Bosch Rexroth AG**, Stuttgart (DE)

(\*\*) Term: **14 Years**

(21) Appl. No.: **29/283,190**

(22) Filed: **Aug. 8, 2007**

**Related U.S. Application Data**

(62) Division of application No. 29/250,510, filed on Nov. 17, 2006, now Pat. No. Des. 569,404.

(51) **LOC (9) Cl.** ..... **15-09**

(52) **U.S. Cl.** ..... **D15/148**

(58) **Field of Classification Search** ..... D13/101, D13/112, 184, 199; D15/1, 5, 143, 148, D15/149; 74/89.15; 251/129.01, 129.12; 310/40 R, 42, 58, 89, 91; 475/4, 7, 149, 475/175, 178, 661, 655 C

See application file for complete search history.

(56) **References Cited**

**U.S. PATENT DOCUMENTS**

4,484,496 A \* 11/1984 Weis ..... 475/4  
4,598,598 A \* 7/1986 Kring et al. .... 74/89.28  
4,916,375 A \* 4/1990 Kurakake et al. .... 318/630

D542,682 S \* 5/2007 Waki ..... D15/143  
D543,565 S \* 5/2007 Kopecki ..... D15/149  
D552,031 S \* 10/2007 Kono et al. .... D13/112  
2005/0104458 A1 \* 5/2005 Then et al. .... 310/58  
2006/0105877 A1 \* 5/2006 Bornchen et al. .... 475/149  
2007/0210661 A1 \* 9/2007 Schmidt et al. .... 310/90

\* cited by examiner

*Primary Examiner*—Sandra Snapp

*Assistant Examiner*—Patricia Palasik

(74) *Attorney, Agent, or Firm*—Michael J. Striker

(57) **CLAIM**

The ornamental design for a servo drive, as shown and described.

**DESCRIPTION**

FIG. 1 is a side view of a servo drive showing our new design;

FIG. 2 is an end view thereof;

FIG. 3 is the opposite side view of FIG. 1 thereof;

FIG. 4 is a bottom view thereof;

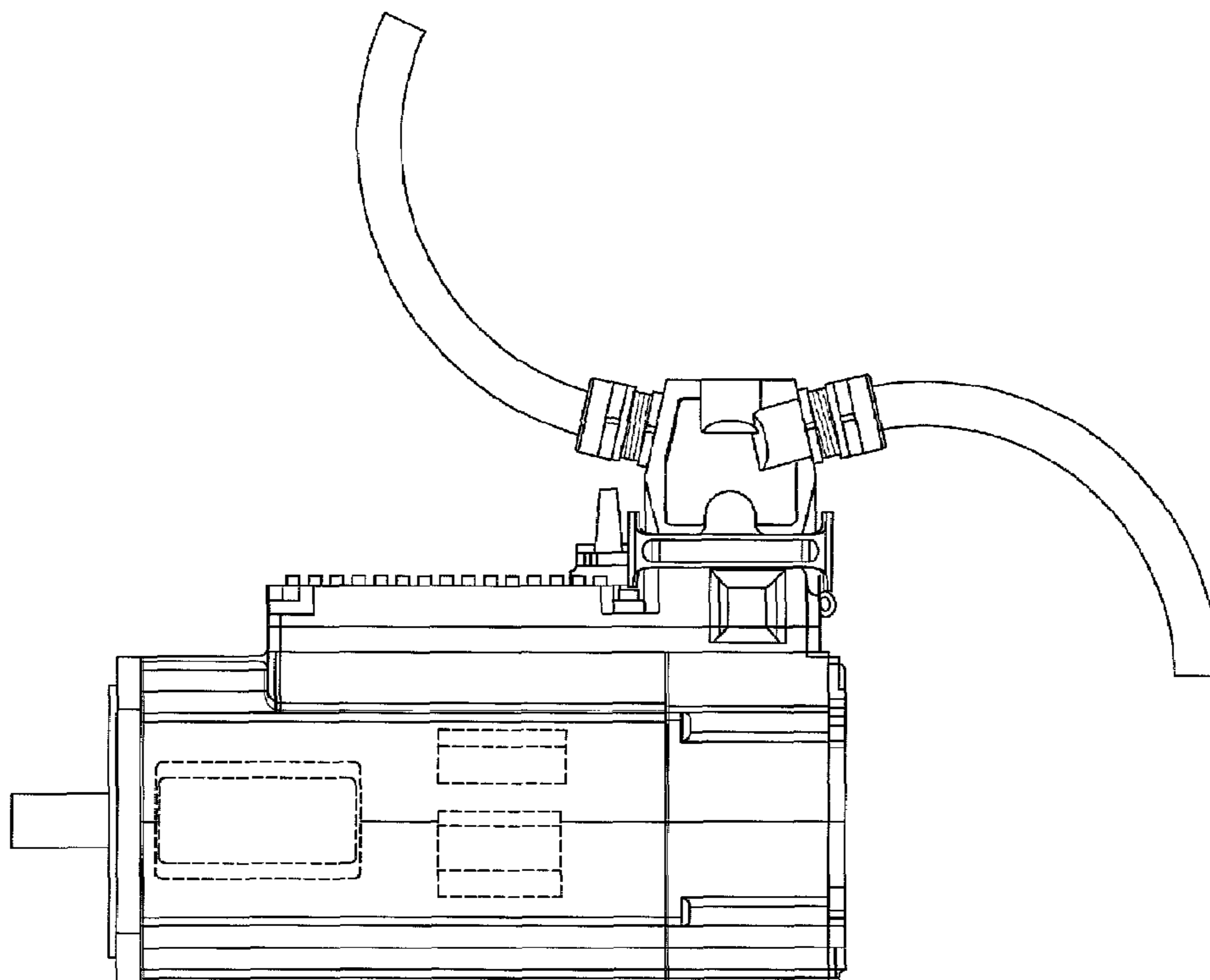
FIG. 5 is the opposite end view of FIG. 2 thereof;

FIG. 6 is a top view thereof; and,

FIG. 7 is a perspective view thereof.

Portions of the servo drive shown in broken lines in the figures are for illustrative purposes only and form no part of the claimed design.

**1 Claim, 5 Drawing Sheets**



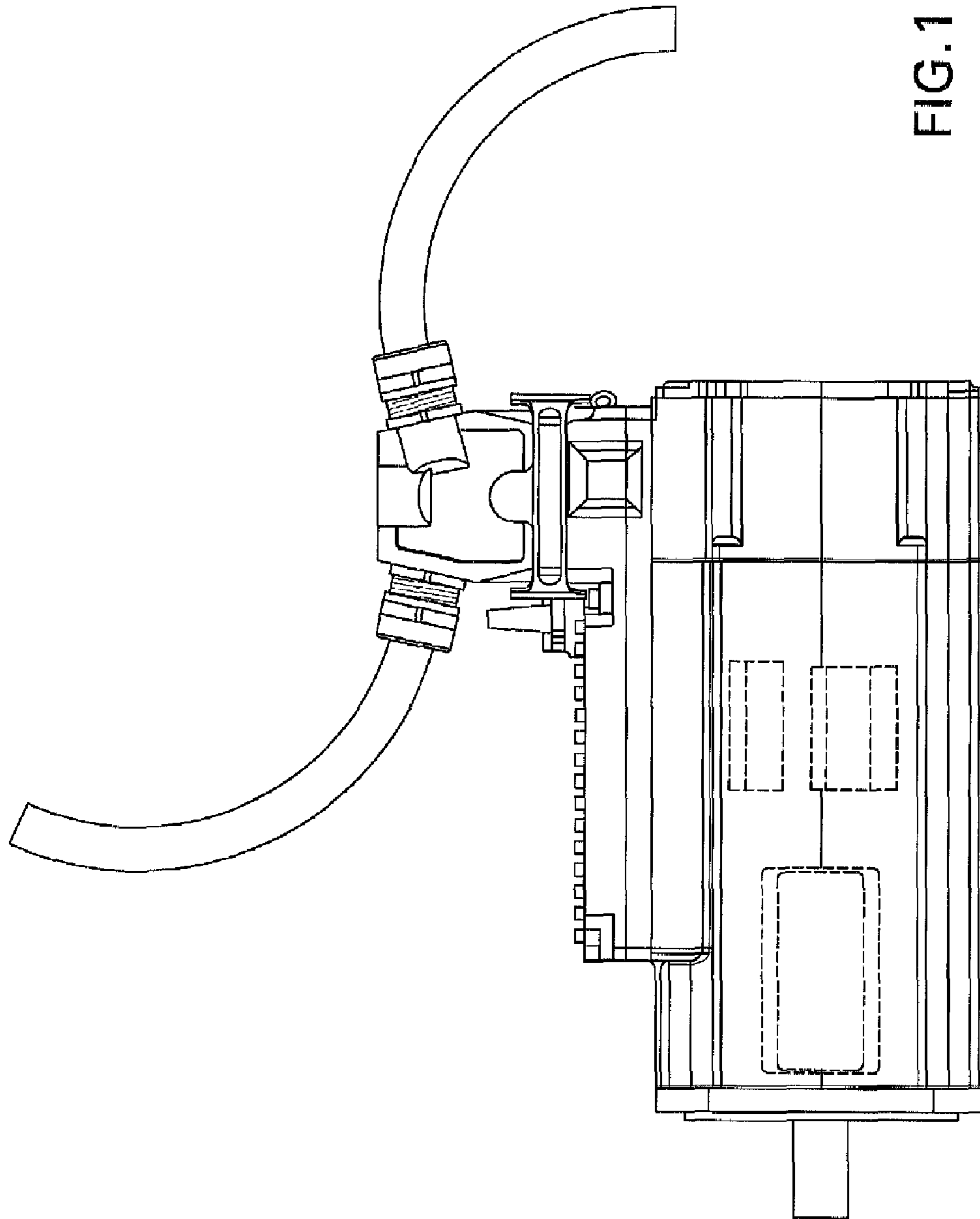


FIG. 1

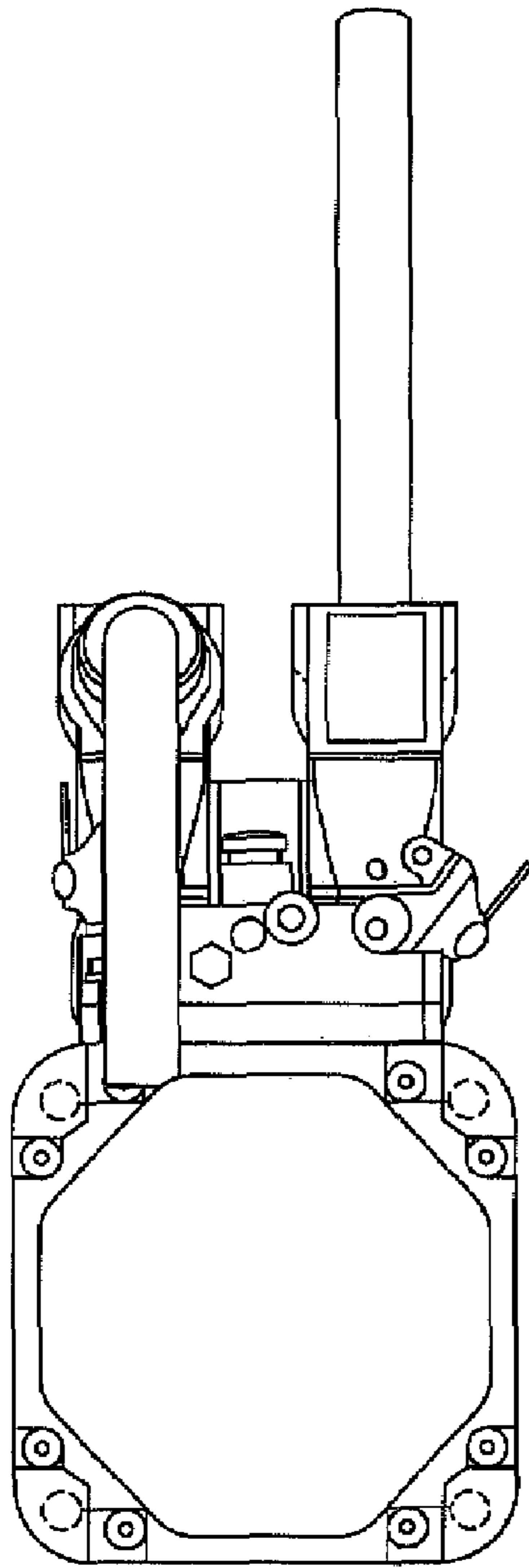


FIG. 5

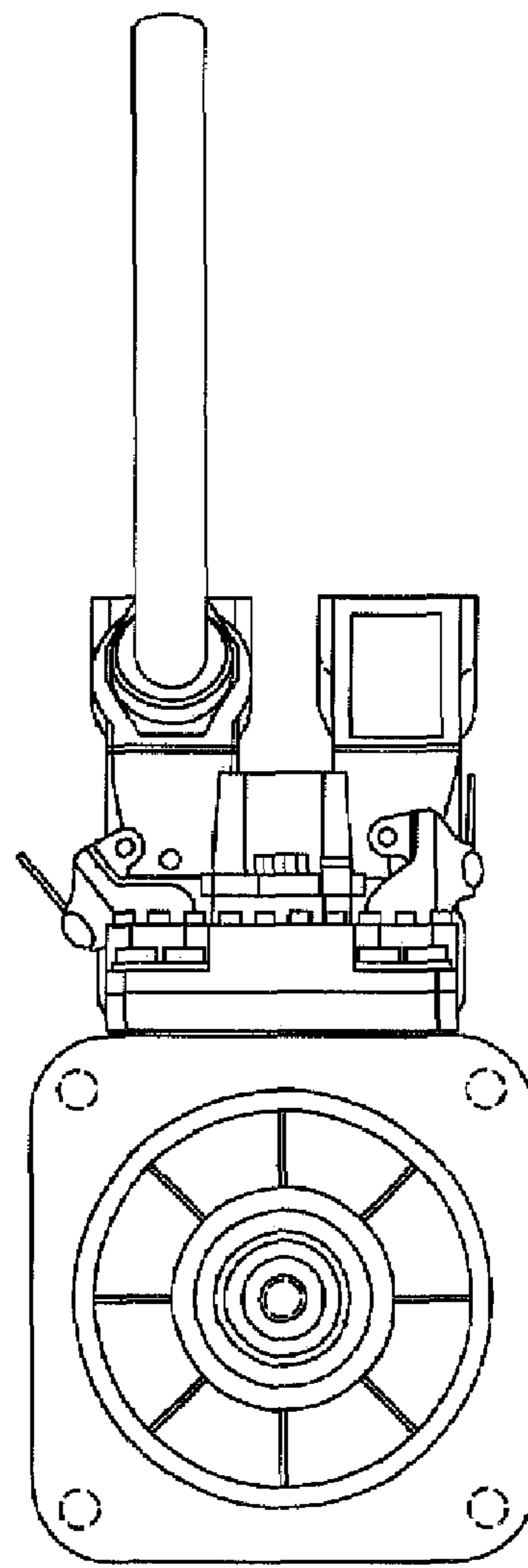
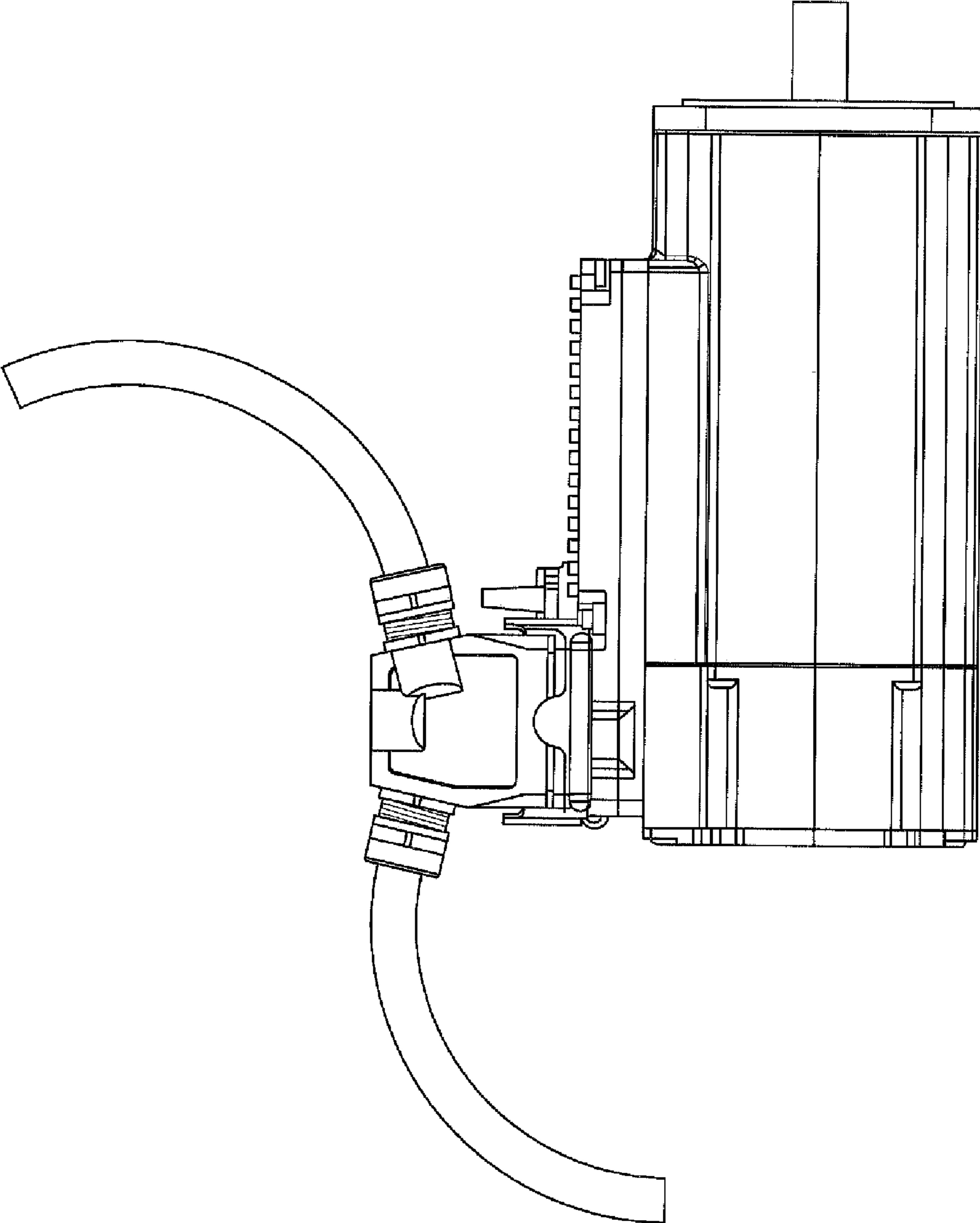


FIG. 2

FIG. 3



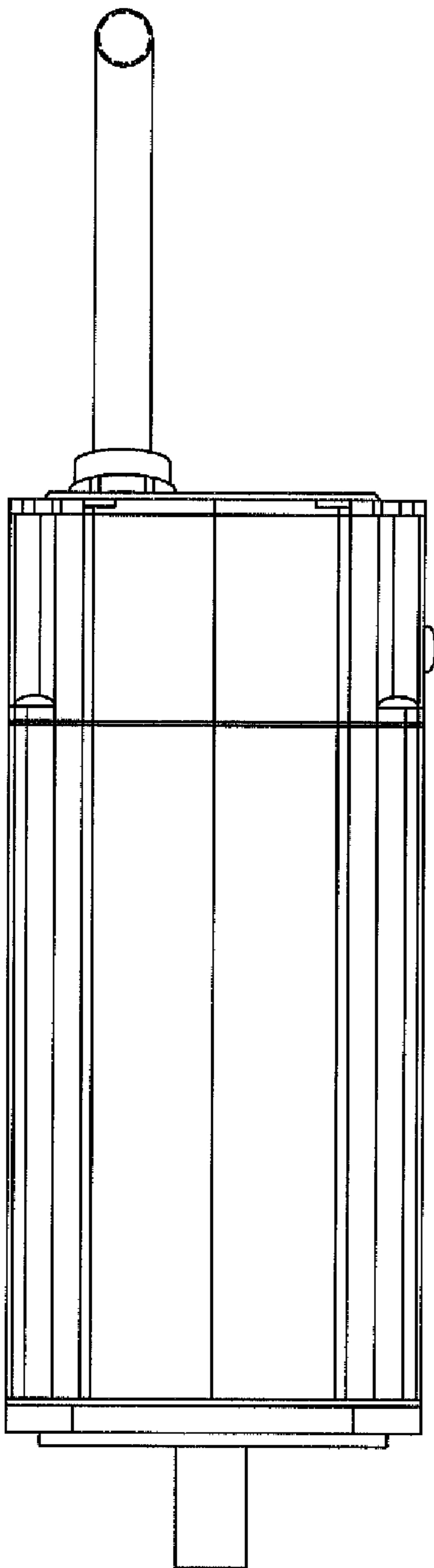


FIG. 4

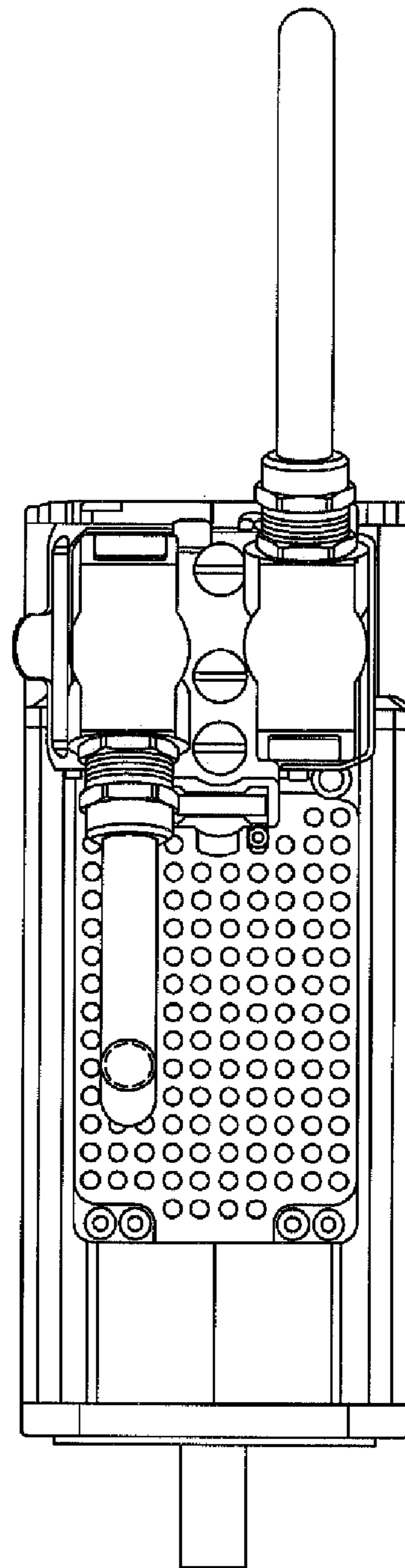


FIG. 6

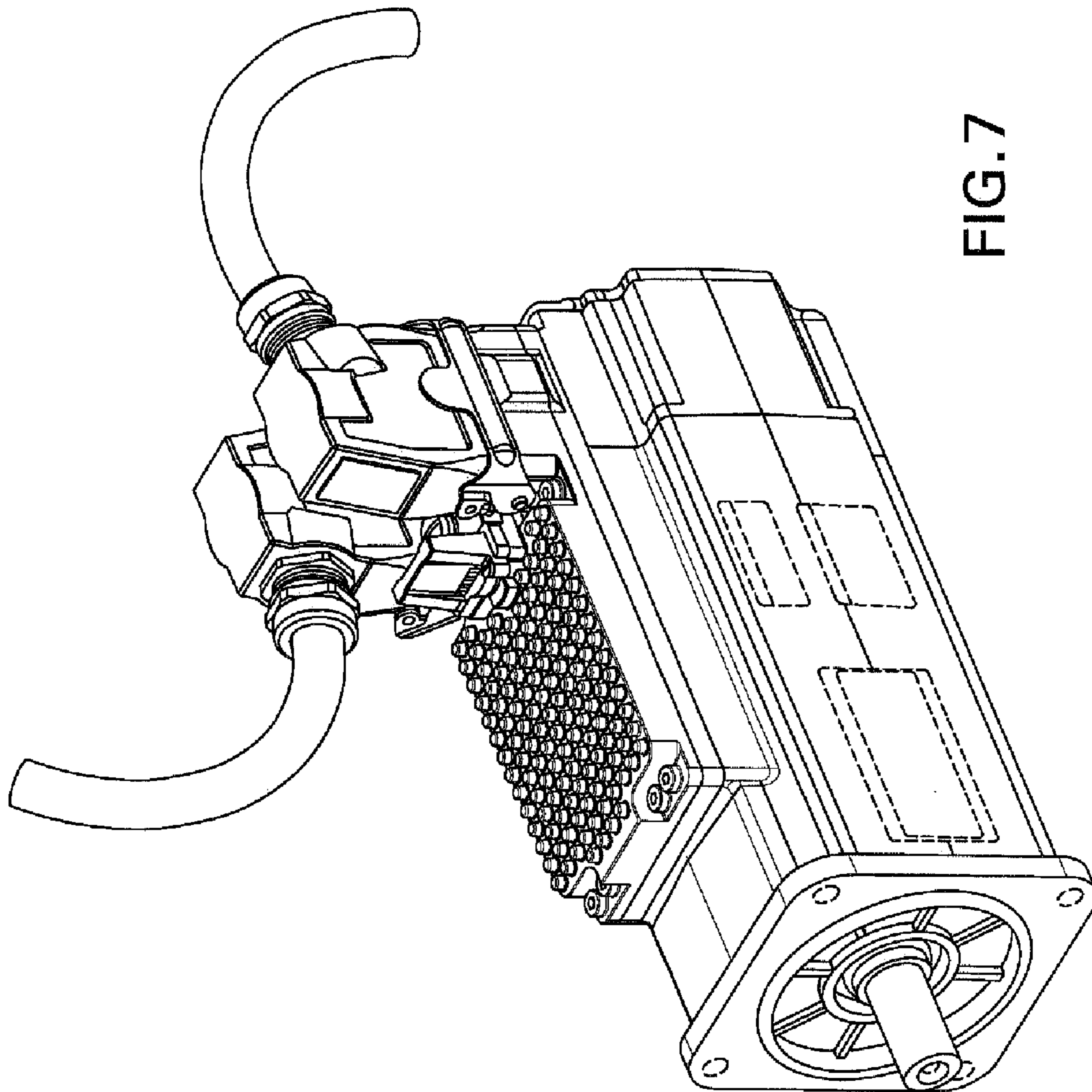


FIG. 7