



US00D586372S

(12) **United States Design Patent**
Schueren et al.

(10) **Patent No.:** **US D586,372 S**
(45) **Date of Patent:** **** Feb. 10, 2009**

(54) **SERVO DRIVE**
(75) Inventors: **Volker Schueren**, Marktheidenfeld (DE); **Alexander Seufert**, Unterpleichfeld (DE)

(73) Assignee: **Bosch Rexroth AG**, Stuttgart (DE)

(**) Term: **14 Years**

(21) Appl. No.: **29/283,189**

(22) Filed: **Aug. 8, 2007**

Related U.S. Application Data

(62) Division of application No. 29/250,510, filed on Nov. 17, 2006, now Pat. No. Des. 569,404.

(51) **LOC (9) Cl.** **15-09**

(52) **U.S. Cl.** **D15/148**

(58) **Field of Classification Search** D13/101, D13/112, 184, 199; D15/1, 5, 143, 148, D15/149; 74/89.15; 251/129.01, 129.12; 310/40 R, 42, 58, 89, 91; 475/4, 7, 149, 475/175, 178, 661, 655 C

See application file for complete search history.

(56) **References Cited**

U.S. PATENT DOCUMENTS

4,484,496 A * 11/1984 Weis 475/4
4,598,598 A * 7/1986 Kring et al. 74/89.28
4,916,375 A * 4/1990 Kurakake et al. 318/630

D542,682 S * 5/2007 Waki D15/143
D543,565 S * 5/2007 Kopecki D15/149
D552,031 S * 10/2007 Kono et al. D13/112
2005/0104458 A1 * 5/2005 Then et al. 310/58
2006/0105877 A1 * 5/2006 Bornchen et al. 475/149
2007/0210661 A1 * 9/2007 Schmidt et al. 310/90

* cited by examiner

Primary Examiner—Sandra Snapp

Assistant Examiner—Patricia Palasik

(74) *Attorney, Agent, or Firm*—Michael J. Striker

(57) **CLAIM**

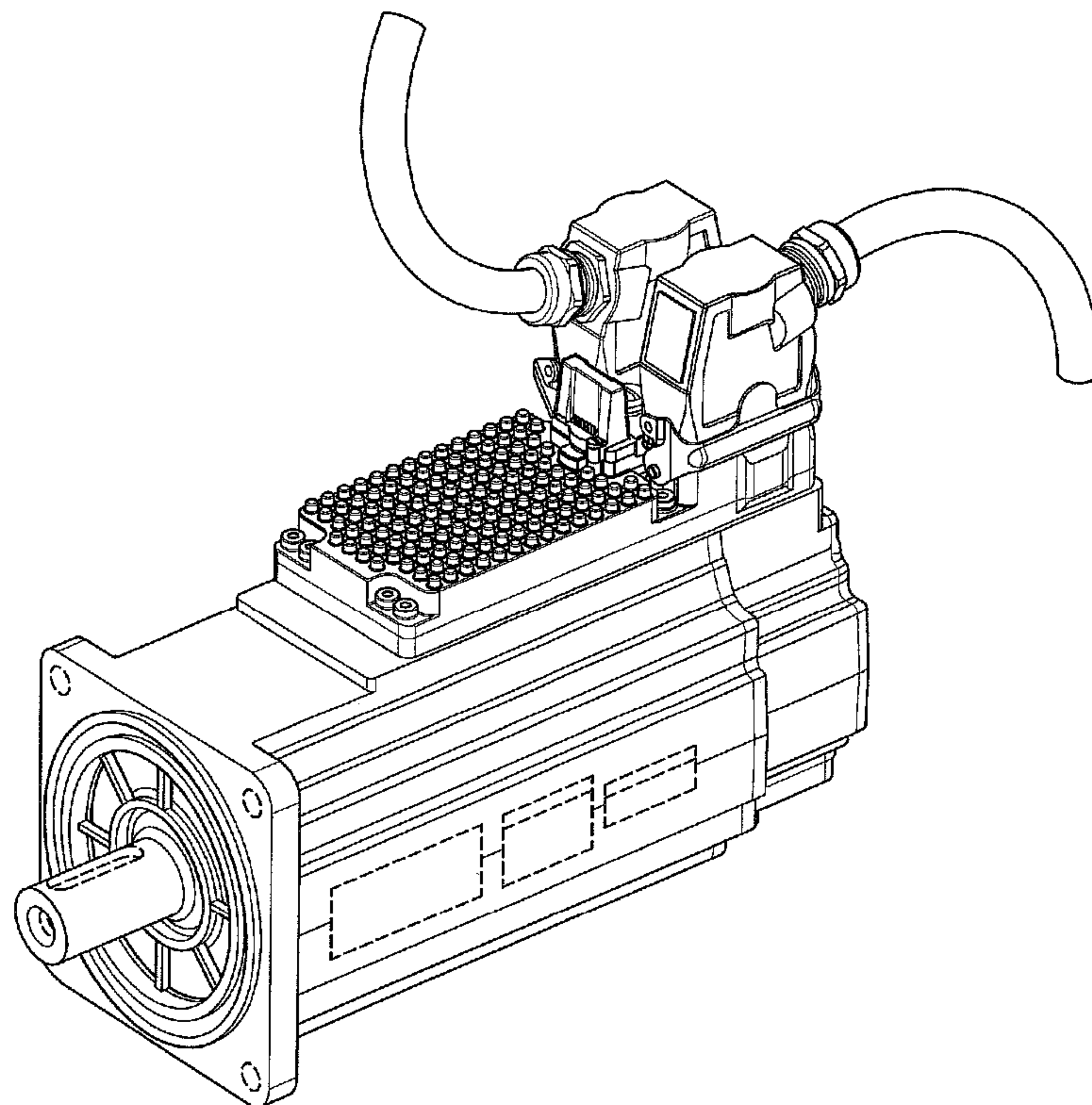
The ornamental design for a servo drive, as shown and described.

DESCRIPTION

FIG. 1 is a side view of a servo drive showing our new design; FIG. 2 is an end view thereof; FIG. 3 is the opposite side view of FIG. 1 thereof; FIG. 4 is a bottom view thereof; FIG. 5 is the opposite end view of FIG. 2 thereof; FIG. 6 is a top view thereof; and, FIG. 7 is a perspective view thereof.

Portions of the servo drive shown in broken lines in the figures are for illustrative purposes only and form no part of the claimed design.

1 Claim, 5 Drawing Sheets



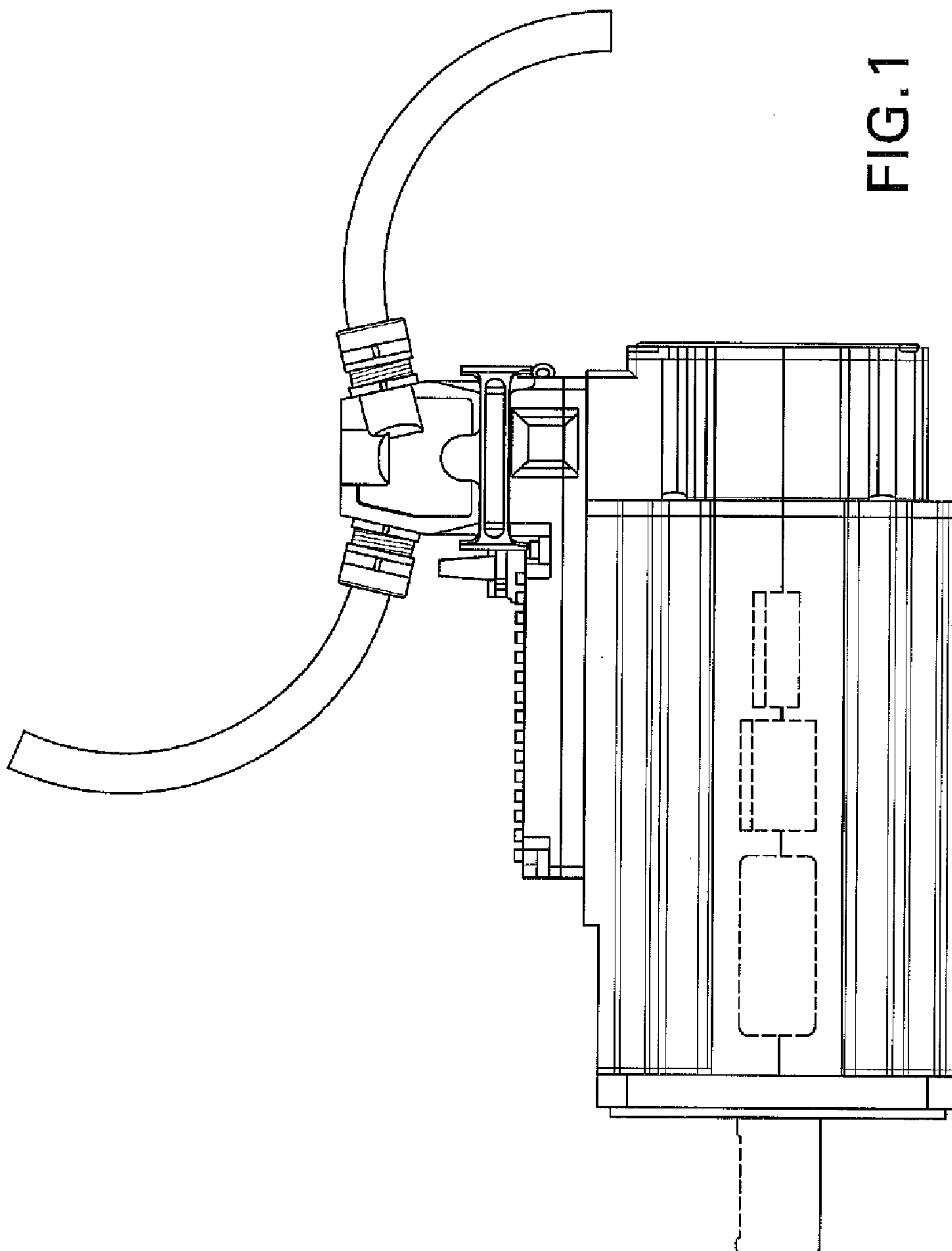


FIG. 1

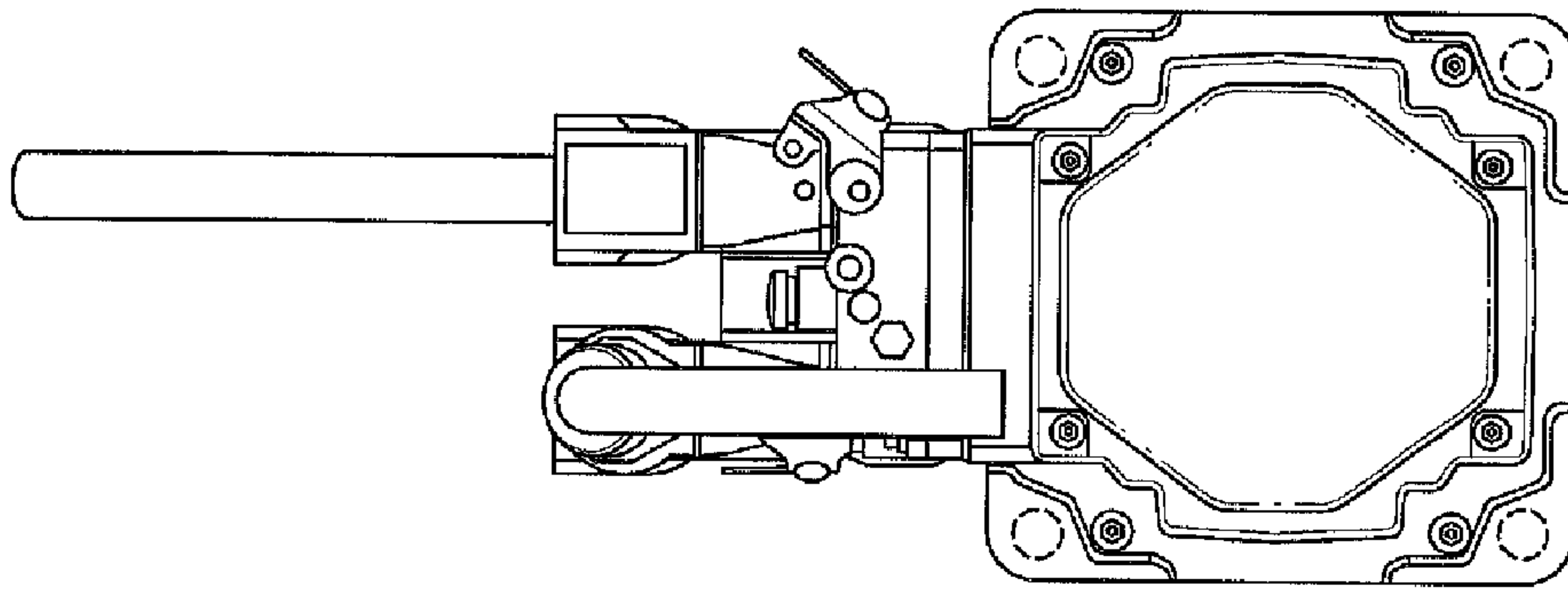


FIG. 5

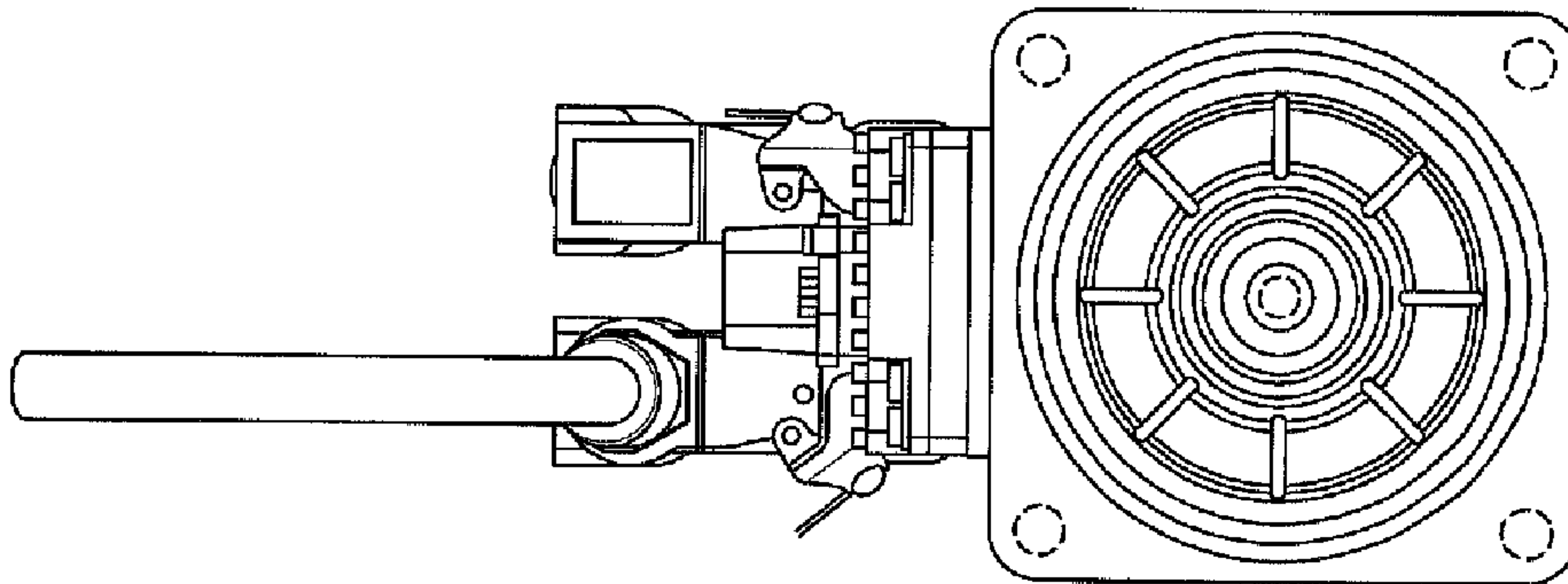


FIG. 2

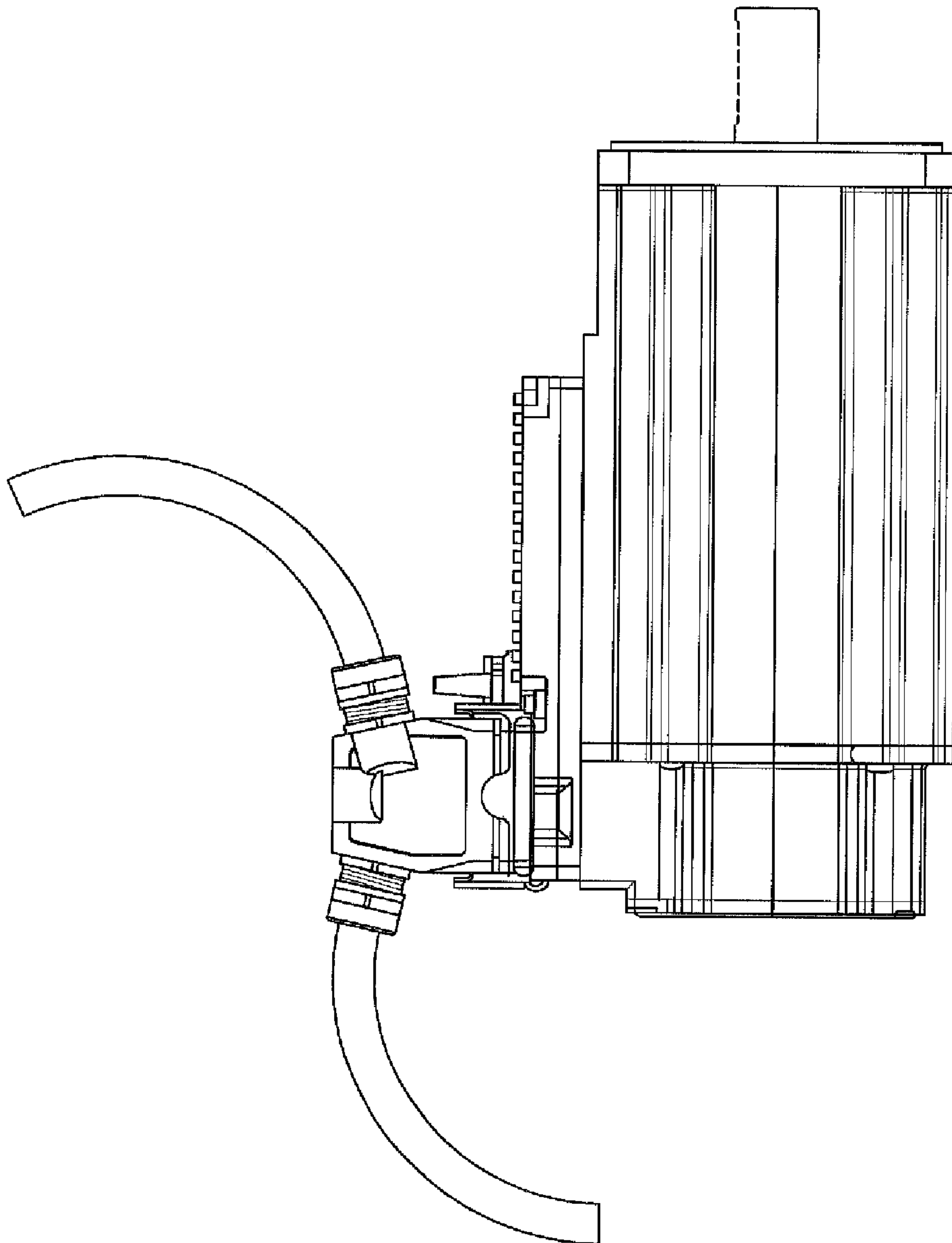


FIG.3

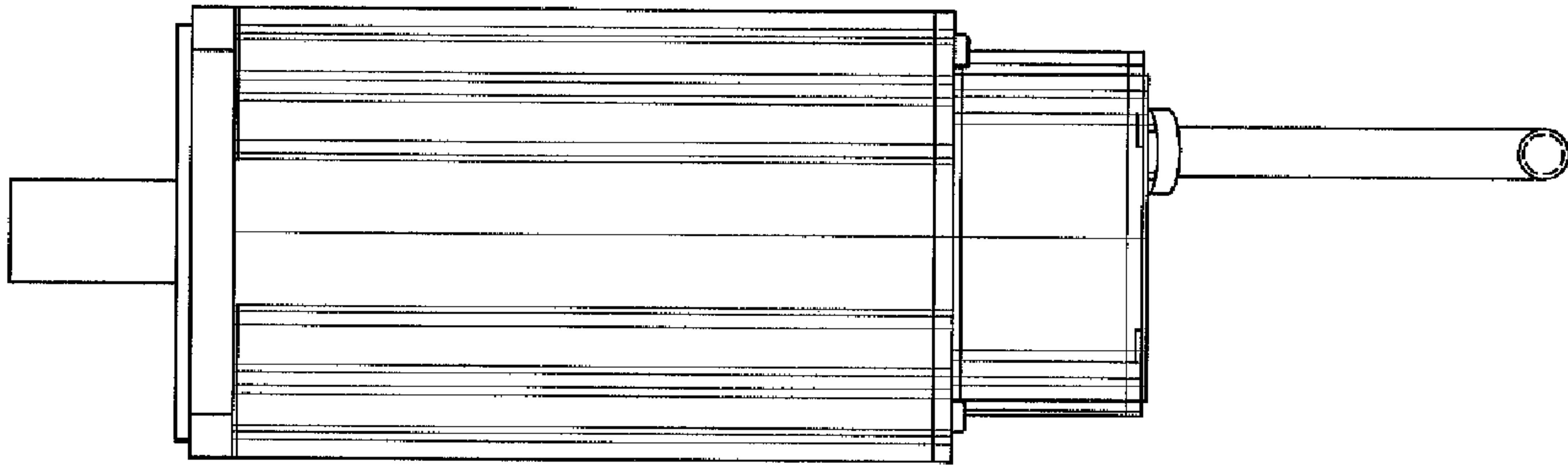


FIG. 4

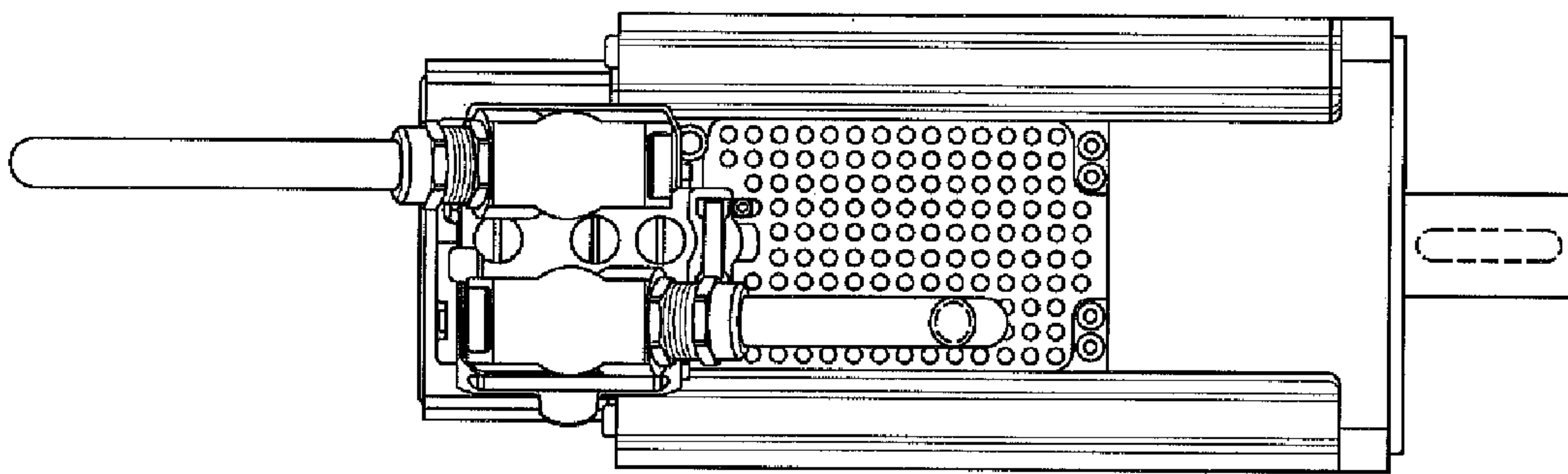


FIG. 6

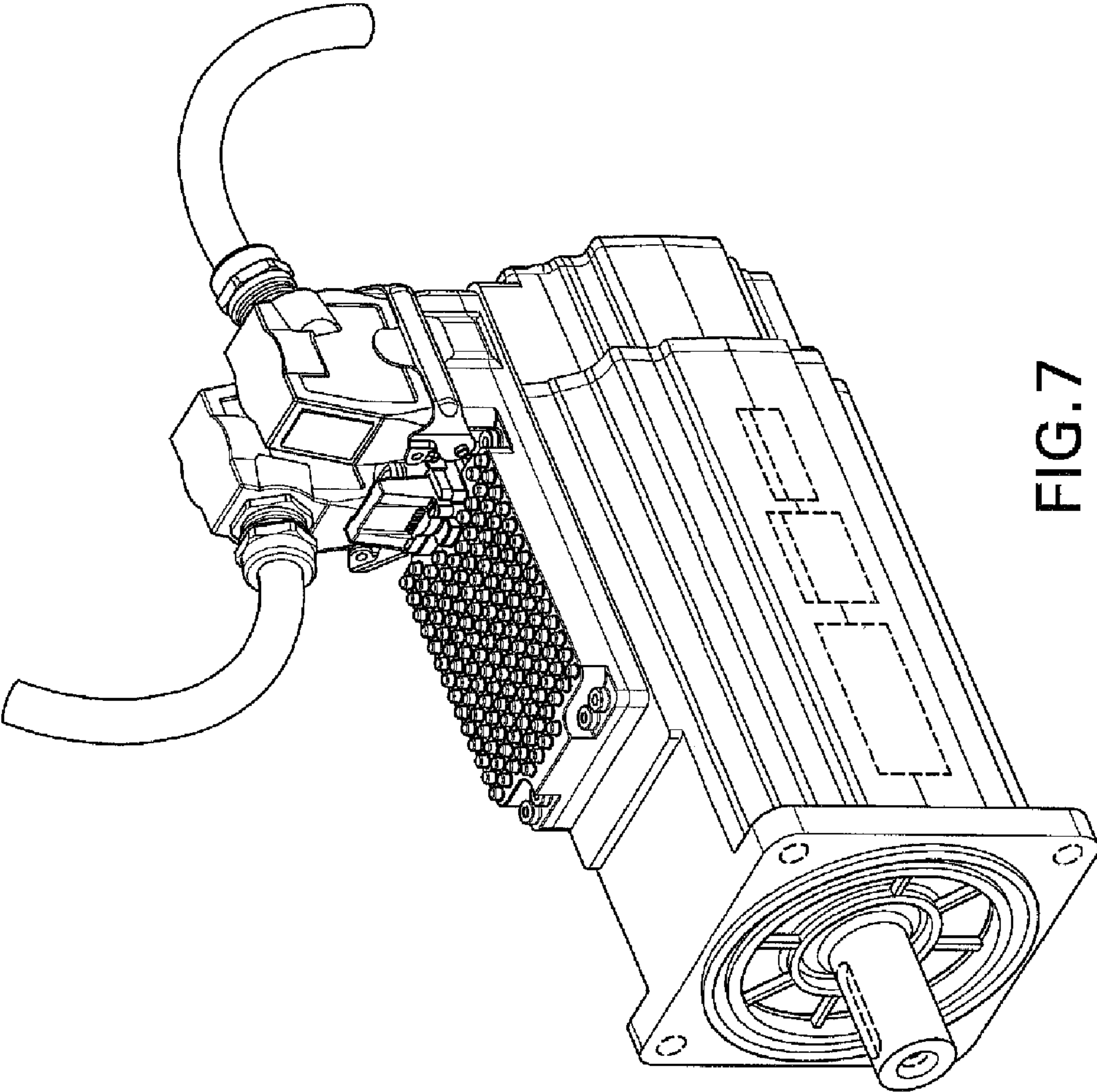


FIG. 7