



US00D586371S

(12) **United States Design Patent**
Leasure et al.

(10) **Patent No.:** **US D586,371 S**

(45) **Date of Patent:** **** Feb. 10, 2009**

(54) **TABLE SAW**

2007/0095185 A1* 5/2007 Chang 83/478
2008/0178722 A1* 7/2008 Gass et al. 83/478

(75) Inventors: **Jeremy D. Leasure**, Jackson, TN (US);
Jeffrey D. Weston, Jackson, TN (US);
Jeremy J. Burke, Jackson, TN (US)

* cited by examiner

Primary Examiner—Sandra Snapp
Assistant Examiner—Patricia Palasik
(74) *Attorney, Agent, or Firm*—Adan Ayala

(73) Assignee: **Black & Decker Inc.**, Newark, DE (US)

(**) Term: **14 Years**

(57) **CLAIM**

(21) Appl. No.: **29/282,336**

The ornamental design for a table saw, as shown and described.

(22) Filed: **Jul. 17, 2007**

(51) **LOC (9) Cl.** **15-09**

(52) **U.S. Cl.** **D15/133**

(58) **Field of Classification Search** D15/125,
D15/133; 83/432, 435, 438, 468, 468.3,
83/468.7, 471.2, 477, 477.2, 478; 144/253.1,
144/286.1, 286.5, 287

See application file for complete search history.

DESCRIPTION

FIG. 1 is a perspective view of a first embodiment of a table saw according to the invention.

FIG. 2 is a front view of the table saw of FIG. 1.

FIG. 3 is a rear view of the table saw of FIG. 1.

FIG. 4 is a left side view of the table saw of FIG. 1.

FIG. 5 is a right side view of the table saw of FIG. 1.

FIG. 6 is a top plan view of the table saw of FIG. 1.

FIG. 7 is a perspective view of a second embodiment of a table saw according to the invention.

FIG. 8 is a front view of the table saw of FIG. 1.

FIG. 9 is a rear view of the table saw of FIG. 1.

FIG. 10 is a left side view of the table saw of FIG. 1.

FIG. 11 is a right side view of the table saw of FIG. 1; and,

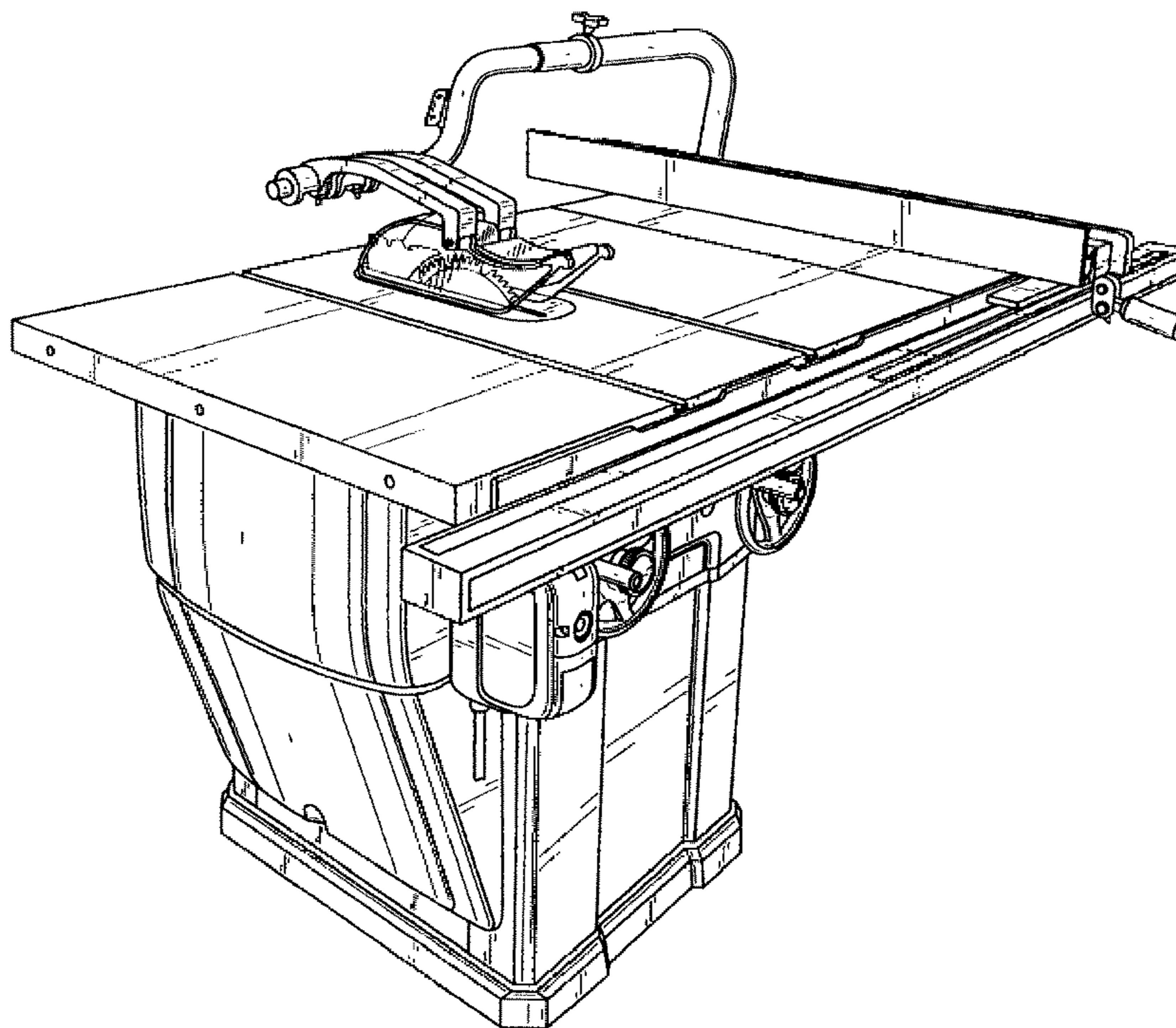
FIG. 12 is a top plan view of the table saw of FIG. 1.

(56) **References Cited**

U.S. PATENT DOCUMENTS

2,850,054	A *	9/1958	Eschenburg	83/473
5,148,933	A *	9/1992	Hewitt	220/4.31
D344,081	S *	2/1994	Hollinger et al.	D15/133
6,418,829	B1 *	7/2002	Pilchowski	93/397
D577,374	S *	9/2008	Leasure et al.	D15/133
2004/0118261	A1 *	6/2004	Garcia et al.	83/471.3
2004/0250902	A1 *	12/2004	Kimmel et al.	144/286.1
2005/0098006	A1 *	5/2005	Jorgensen	83/100
2005/0139057	A1 *	6/2005	Gass et al.	83/477.2
2006/0201302	A1 *	9/2006	Schwaiger et al.	83/477.2

1 Claim, 12 Drawing Sheets



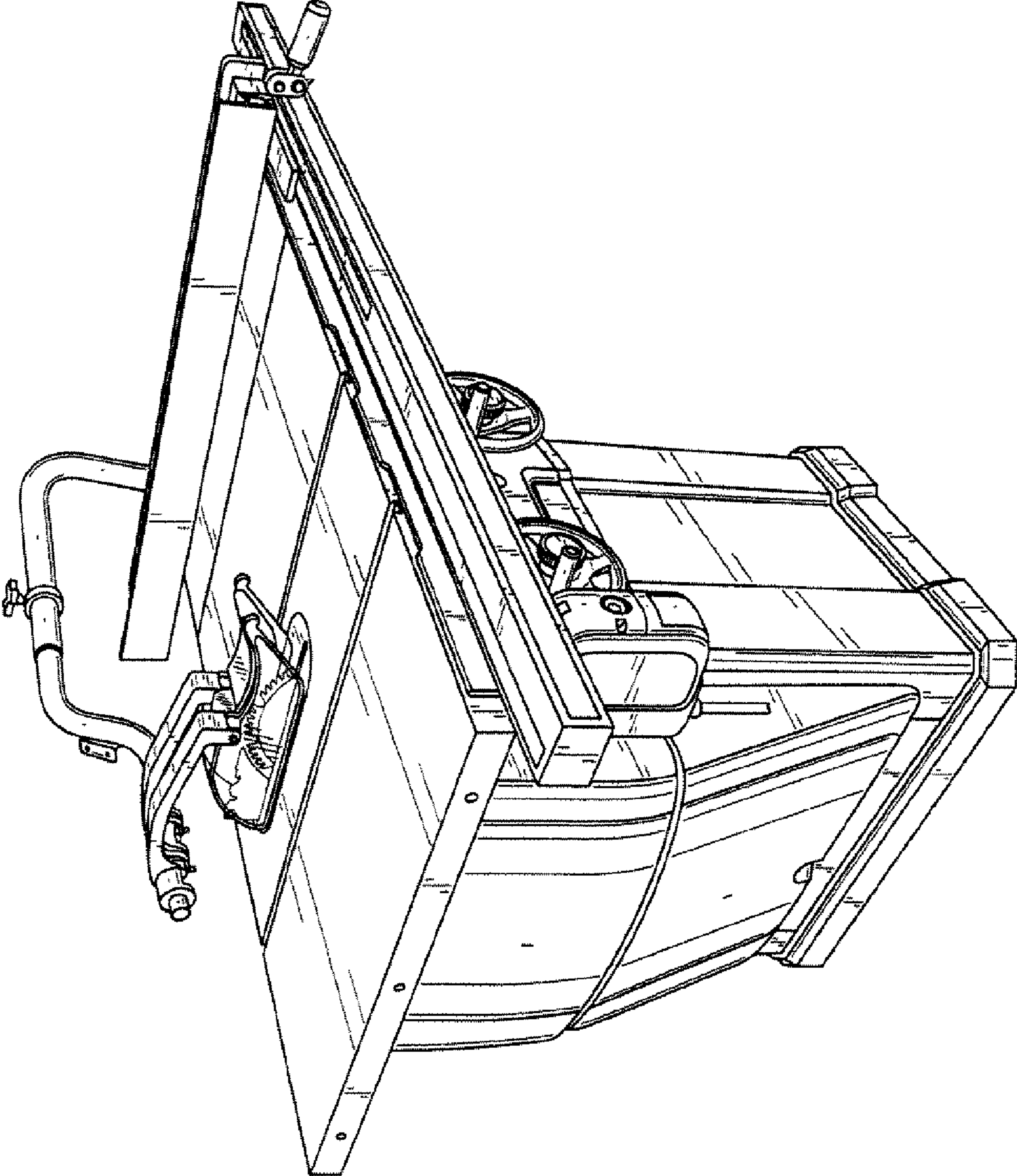


FIG. 1

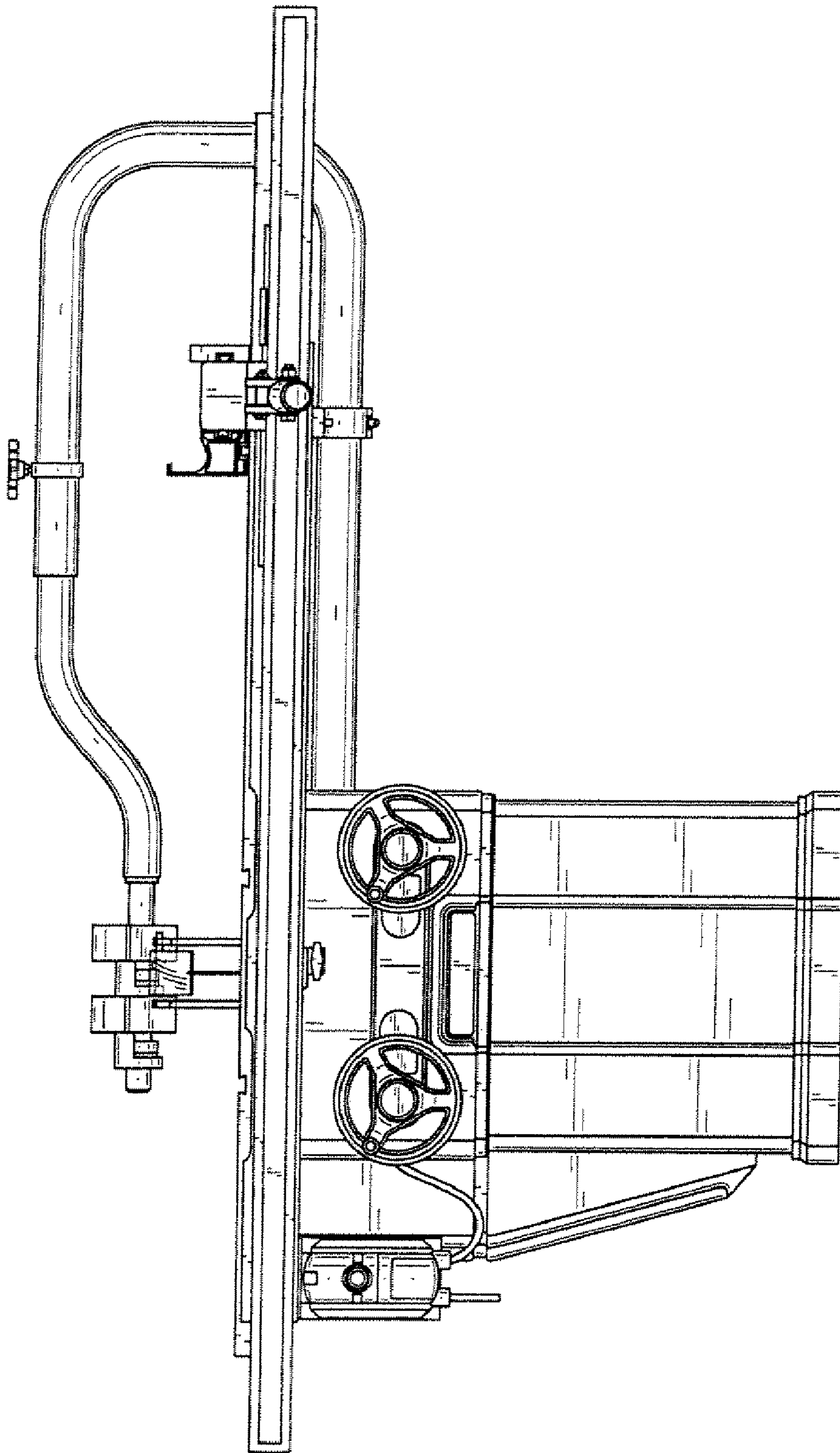


FIG. 2

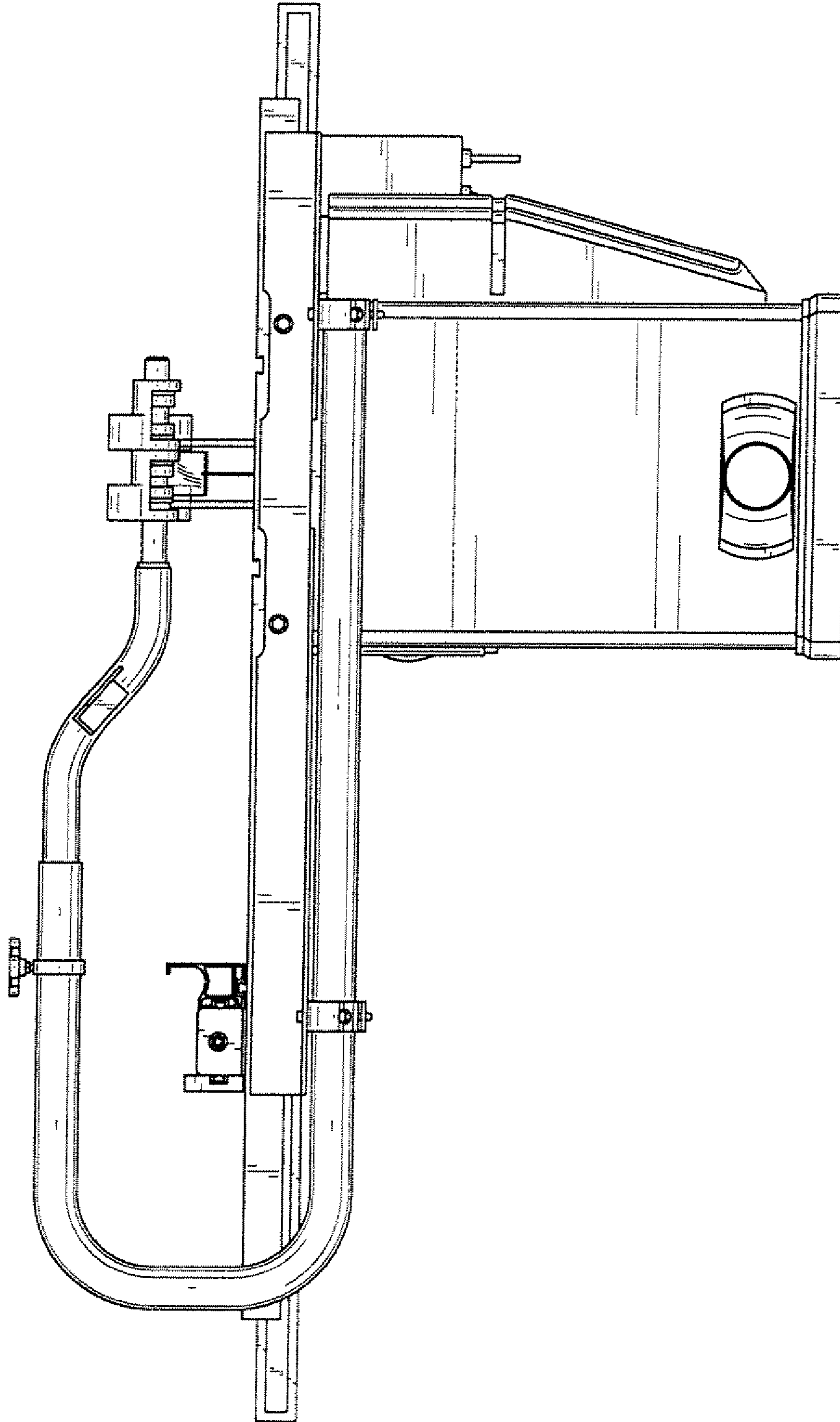


FIG. 3

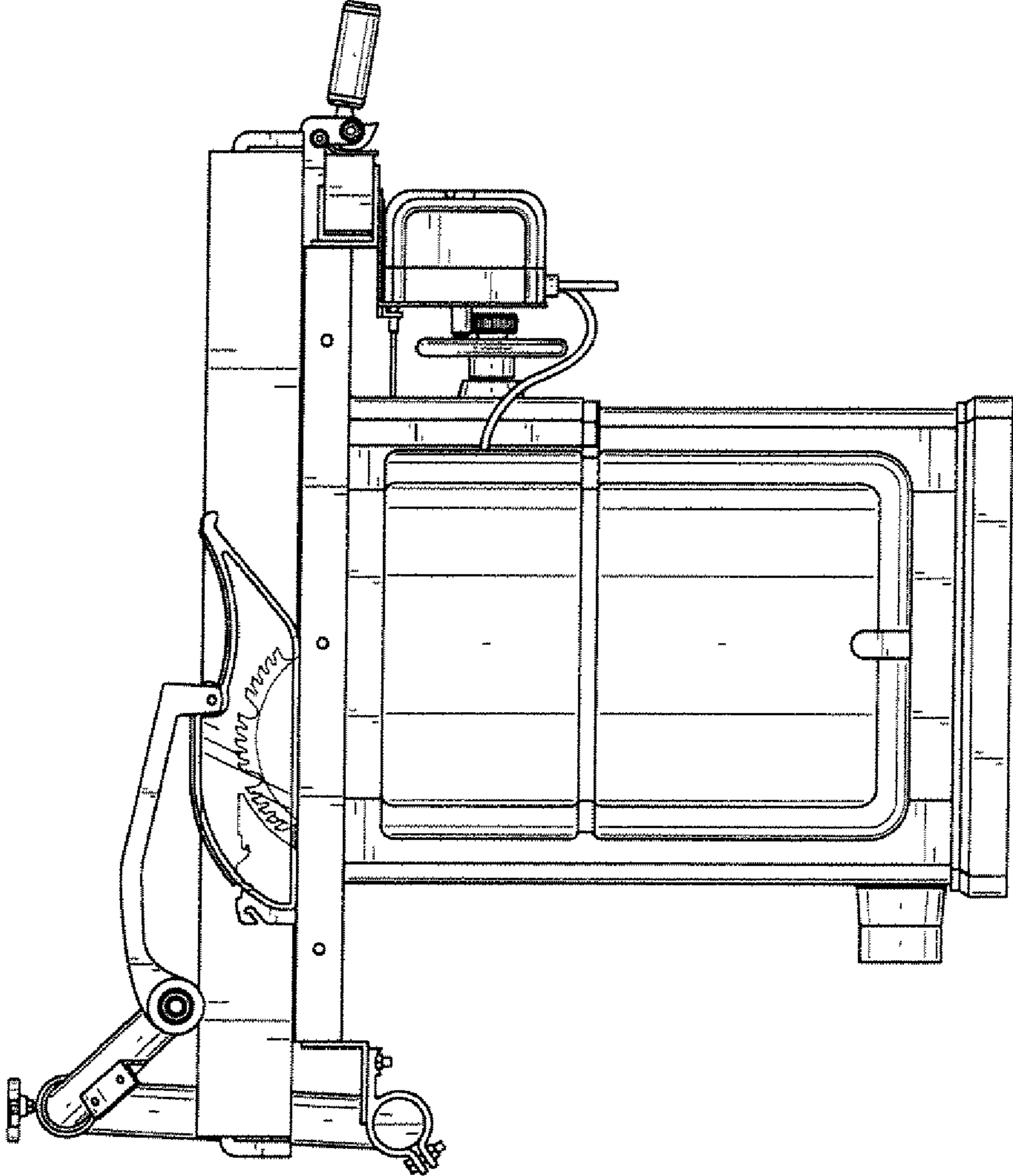


FIG. 4

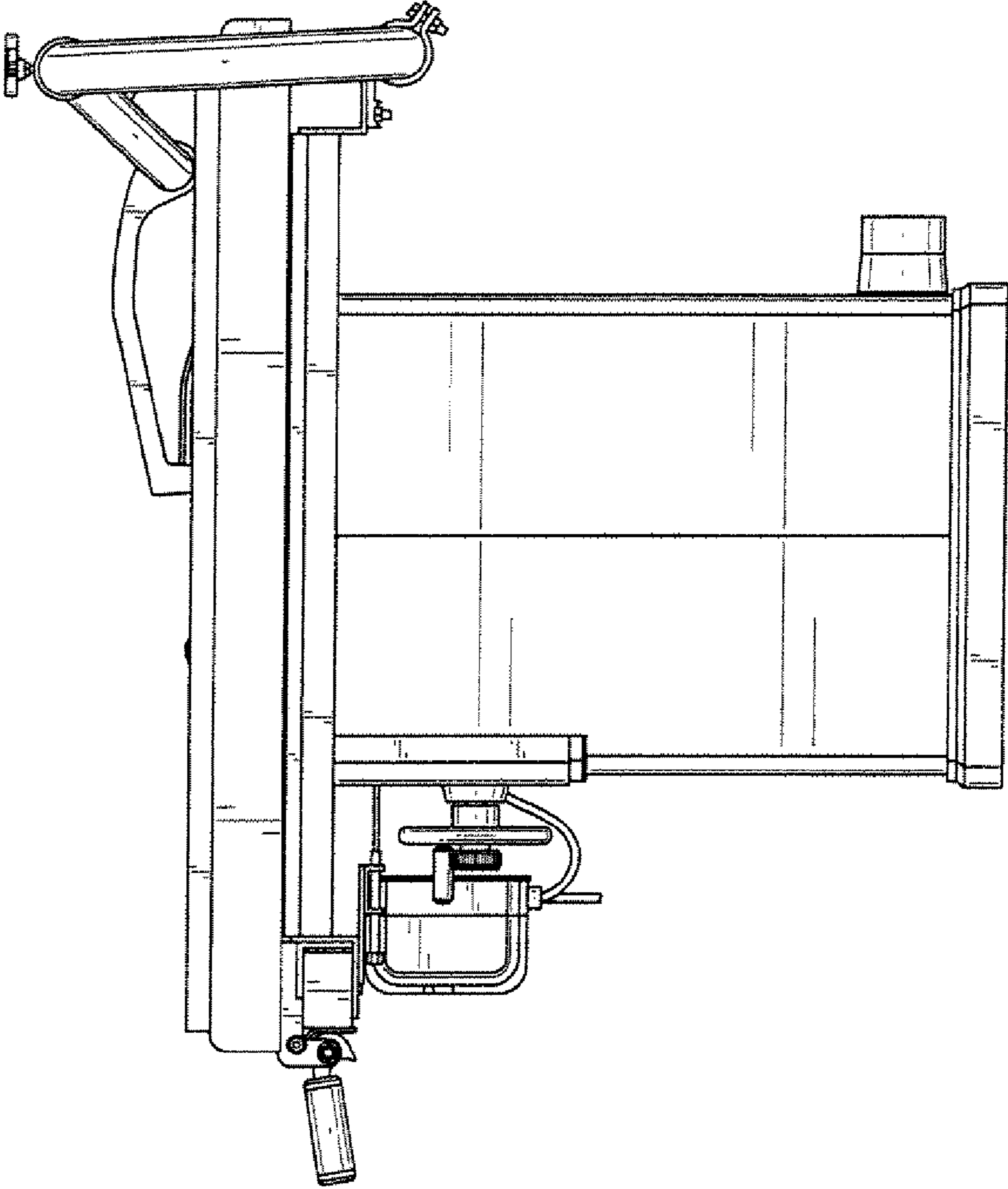


FIG. 5

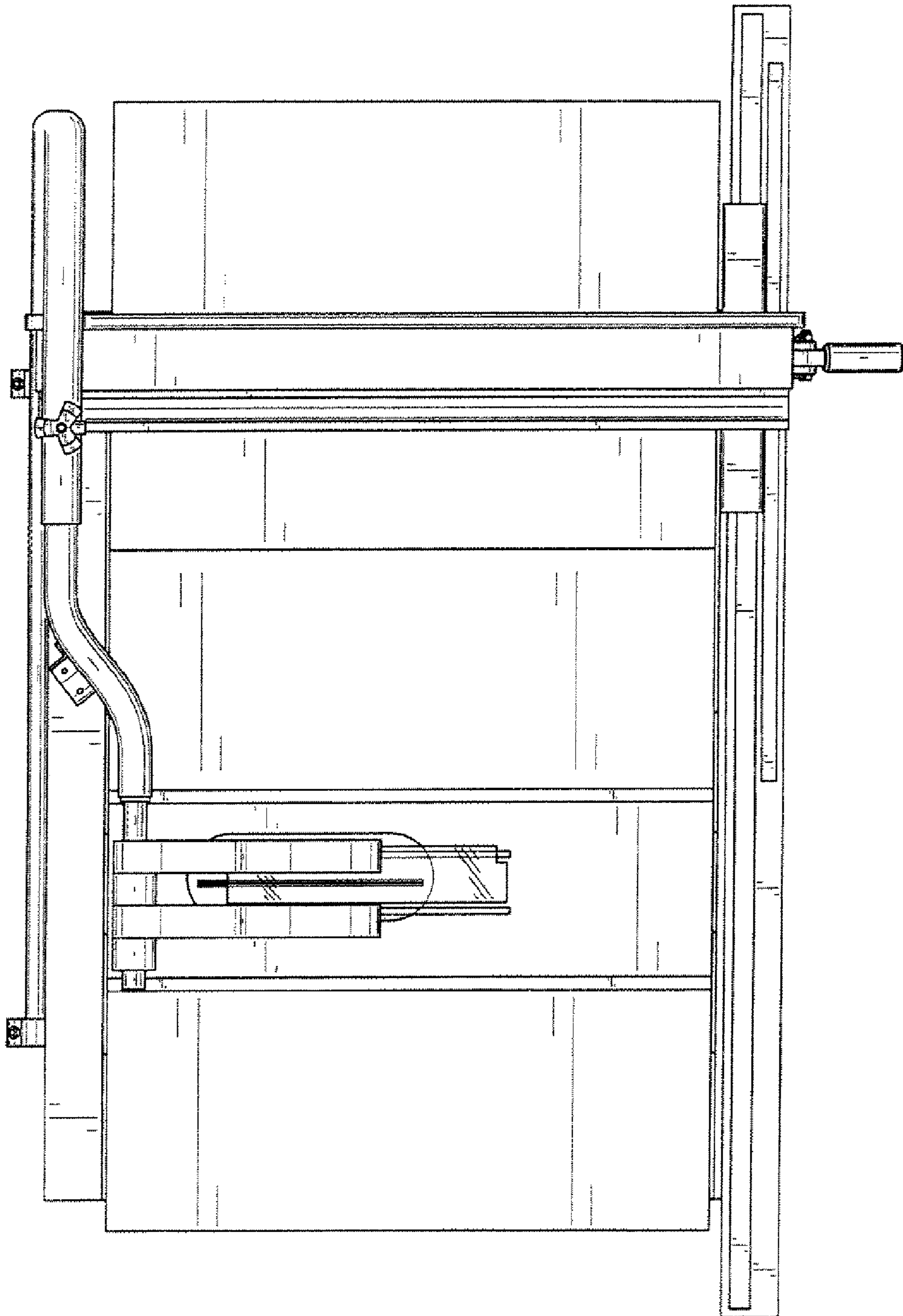


FIG. 6

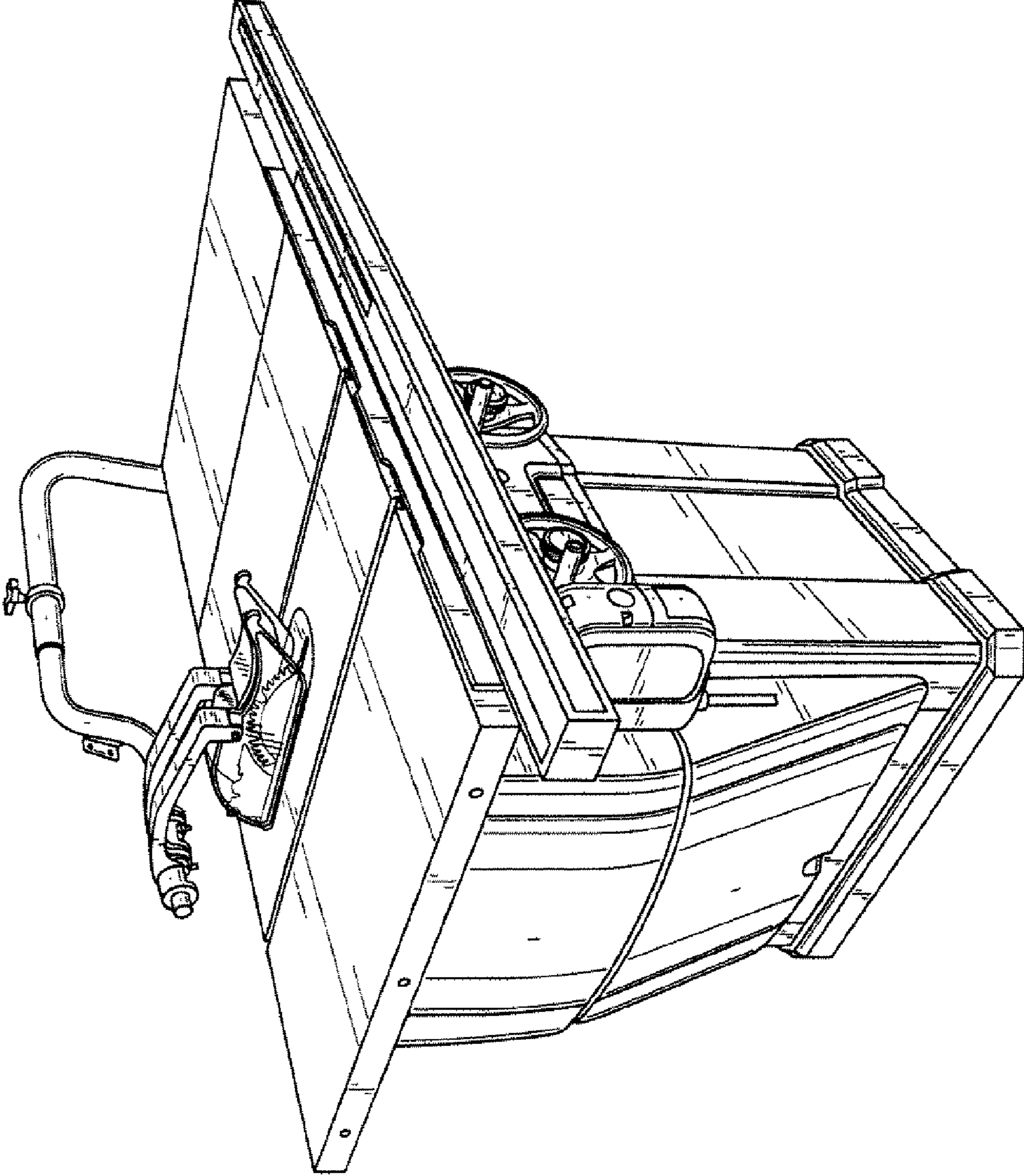


FIG. 7

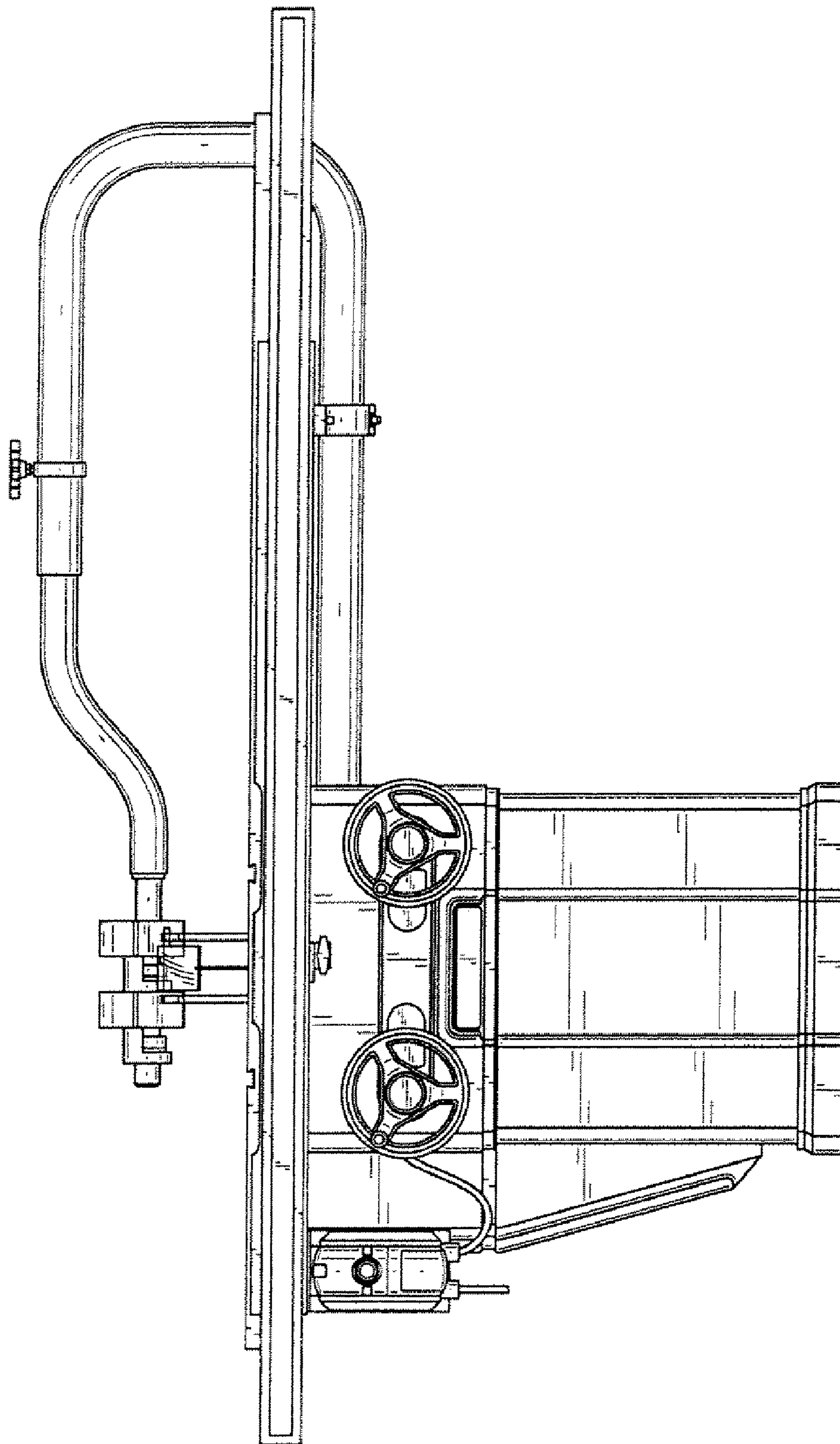


FIG. 8

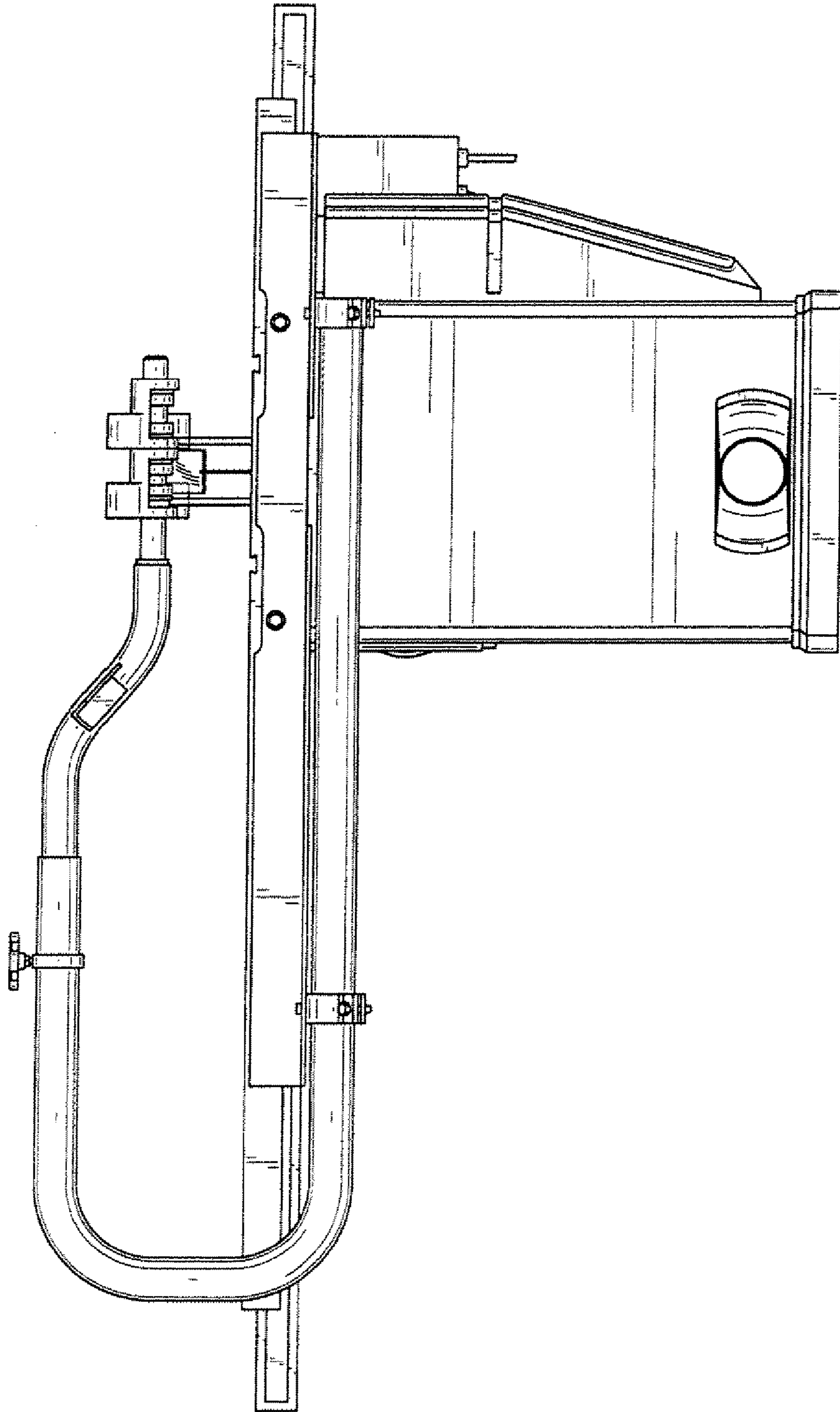


FIG. 9

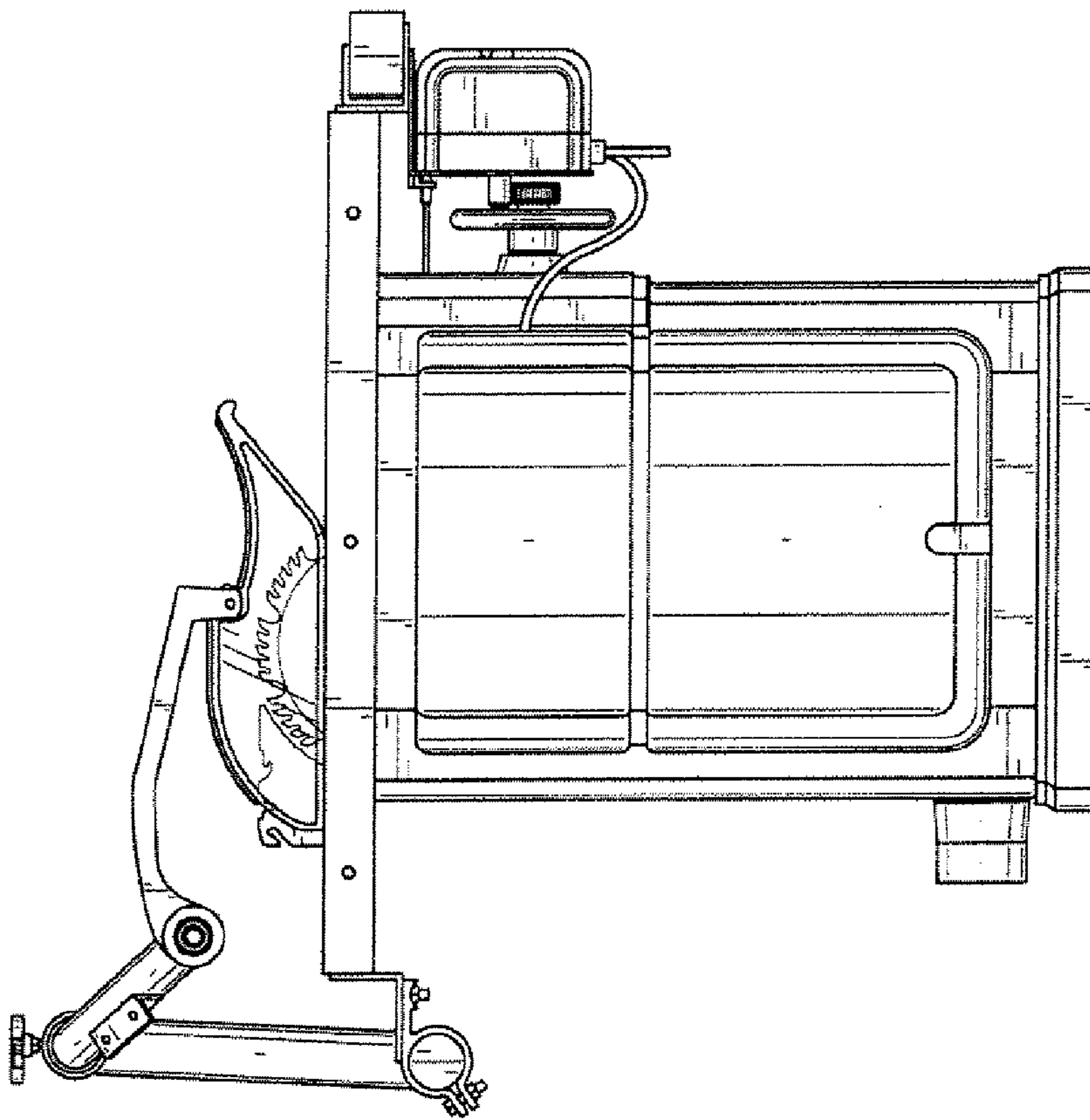


FIG. 10

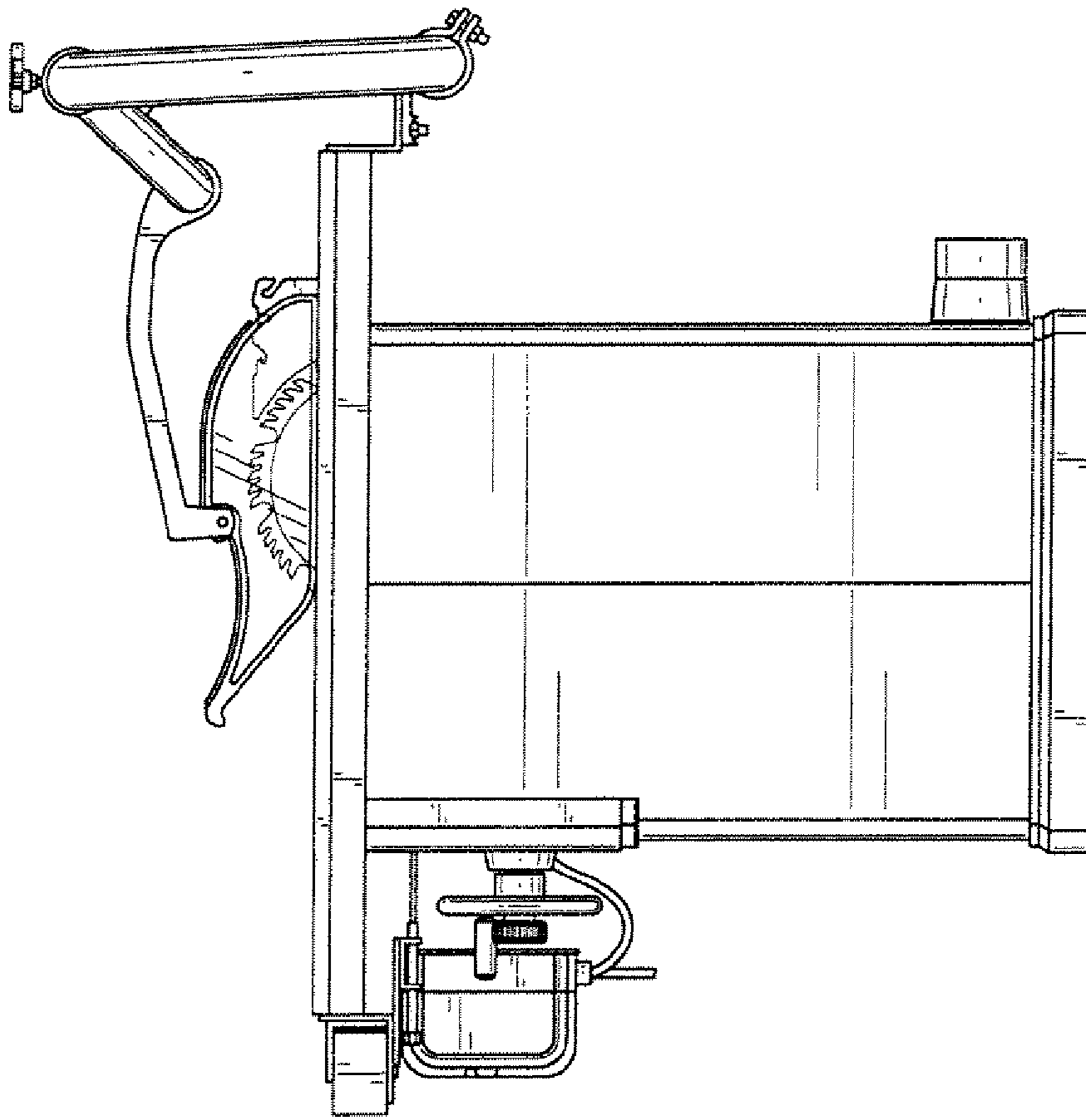


FIG. 11

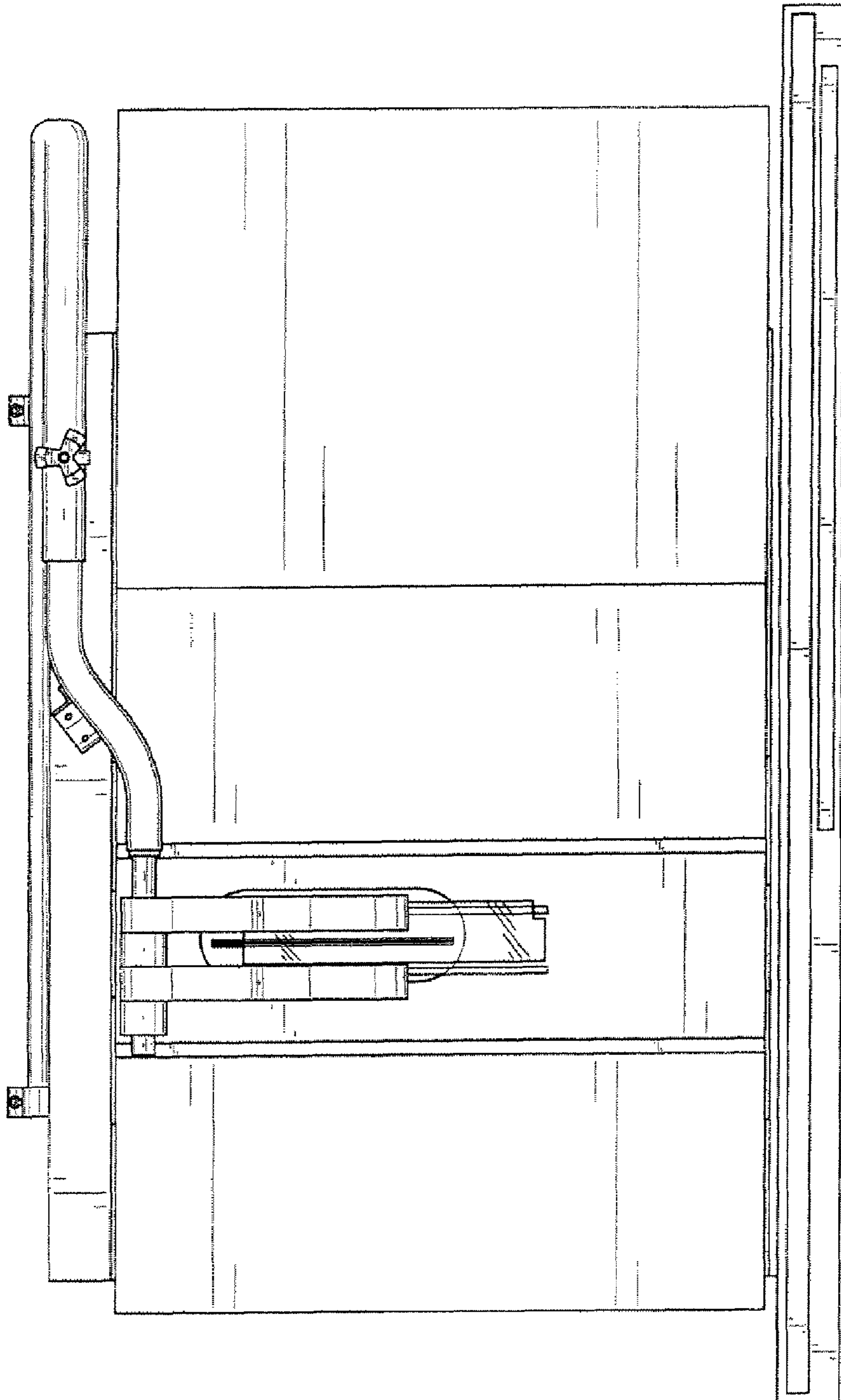


FIG. 12