



US00D586366S

(12) **United States Design Patent**
Resch

(10) **Patent No.:** **US D586,366 S**

(45) **Date of Patent:** **** Feb. 10, 2009**

(54) **REFRIGERATION UNIT**

(75) Inventor: **Reinhold Resch**, St. Peter (AT)

(73) Assignee: **AHT Cooling Systems GmbH**,
Rottenmann (AU)

(**) Term: **14 Years**

(21) Appl. No.: **29/307,179**

(22) Filed: **Apr. 3, 2008**

(51) **LOC (9) Cl.** **15-07**

(52) **U.S. Cl.** **D15/79**

(58) **Field of Classification Search** D15/79,
D15/81, 83, 84, 85; D6/441, 448, 470, 472;
62/246-255, 275, 337, 384, 389, 440-456;
312/114-117, 401-408

See application file for complete search history.

(56) **References Cited**

U.S. PATENT DOCUMENTS

D101,525 S	*	10/1936	Frick	D15/84
D149,615 S	*	5/1948	Carriere	D15/83
D176,840 S	*	2/1956	Dailey	D15/83
D239,490 S	*	4/1976	Pellegrini	D15/83
D339,934 S	*	10/1993	Reuter	D6/441
D430,173 S	*	8/2000	Tombs	D15/85
D439,913 S	*	4/2001	Jobst	D15/84
D477,616 S	*	7/2003	Resch	D15/83
D477,617 S	*	7/2003	Resch	D15/83
D483,045 S	*	12/2003	Resch	D15/83

* cited by examiner

Primary Examiner—Stella M Reid

Assistant Examiner—Shanda C Hill

(74) *Attorney, Agent, or Firm*—Fross Zelnick Lehrman &
Zissu, P.C.; Charles T. J. Weigell, Esq.

(57) **CLAIM**

The ornamental design for refrigeration unit, as shown and described.

DESCRIPTION

FIG. 1 is a front perspective view of a refrigeration unit showing the new design;

FIG. 2 is a front view of the refrigeration unit shown in FIG. 1;

FIG. 3 is a rear view of the refrigeration unit shown in FIG. 1;

FIG. 4 is a right side view of the refrigeration unit shown in FIG. 1;

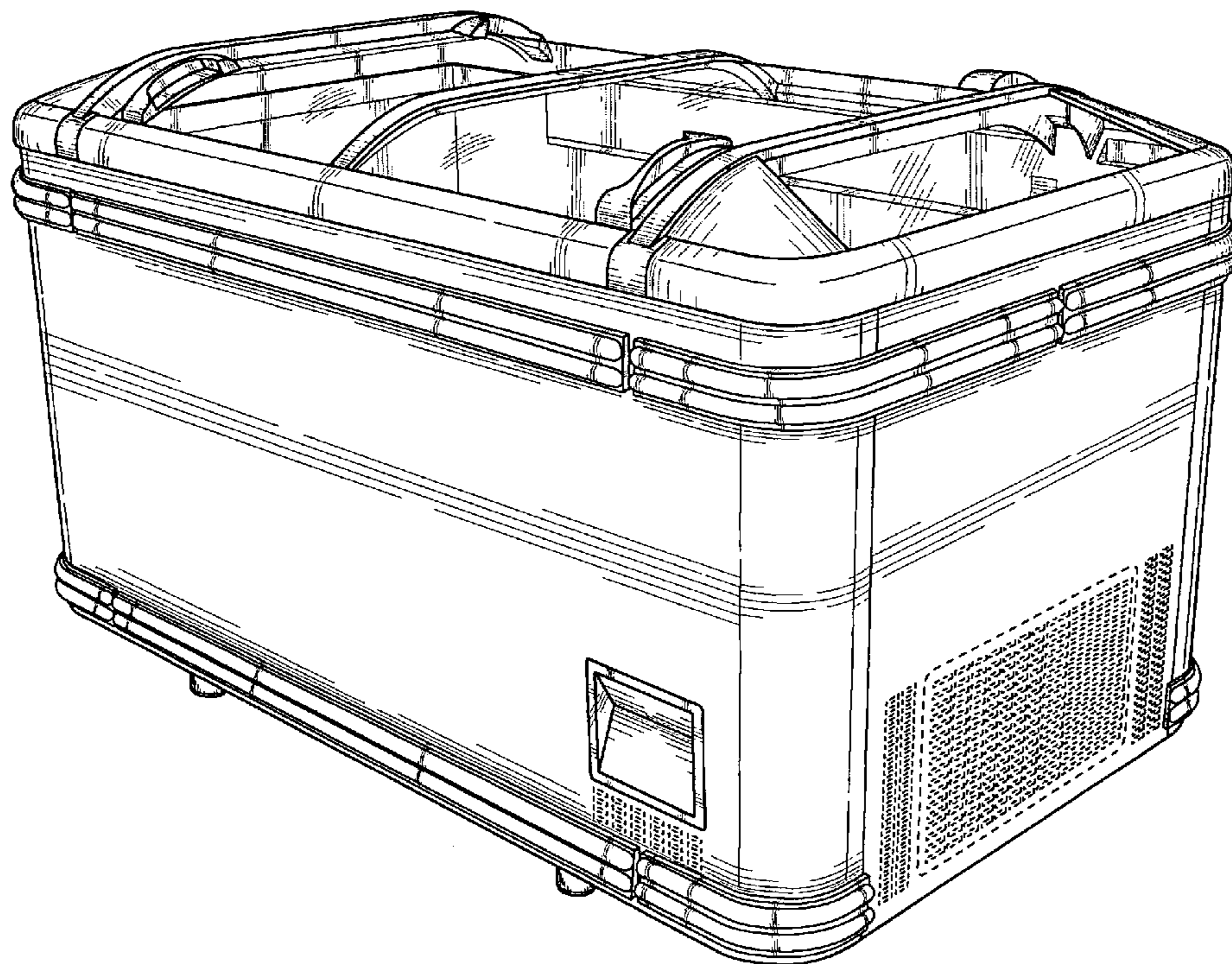
FIG. 5 is a left side view of the refrigeration unit shown in FIG. 1;

FIG. 6 is a top view of the refrigeration unit shown in FIG. 1; and,

FIG. 7 is a bottom view of the refrigeration unit shown in FIG. 1.

The broken line showing of the side, rear, and front vents is for illustrative purposes only and forms no part of the claimed design.

1 Claim, 7 Drawing Sheets



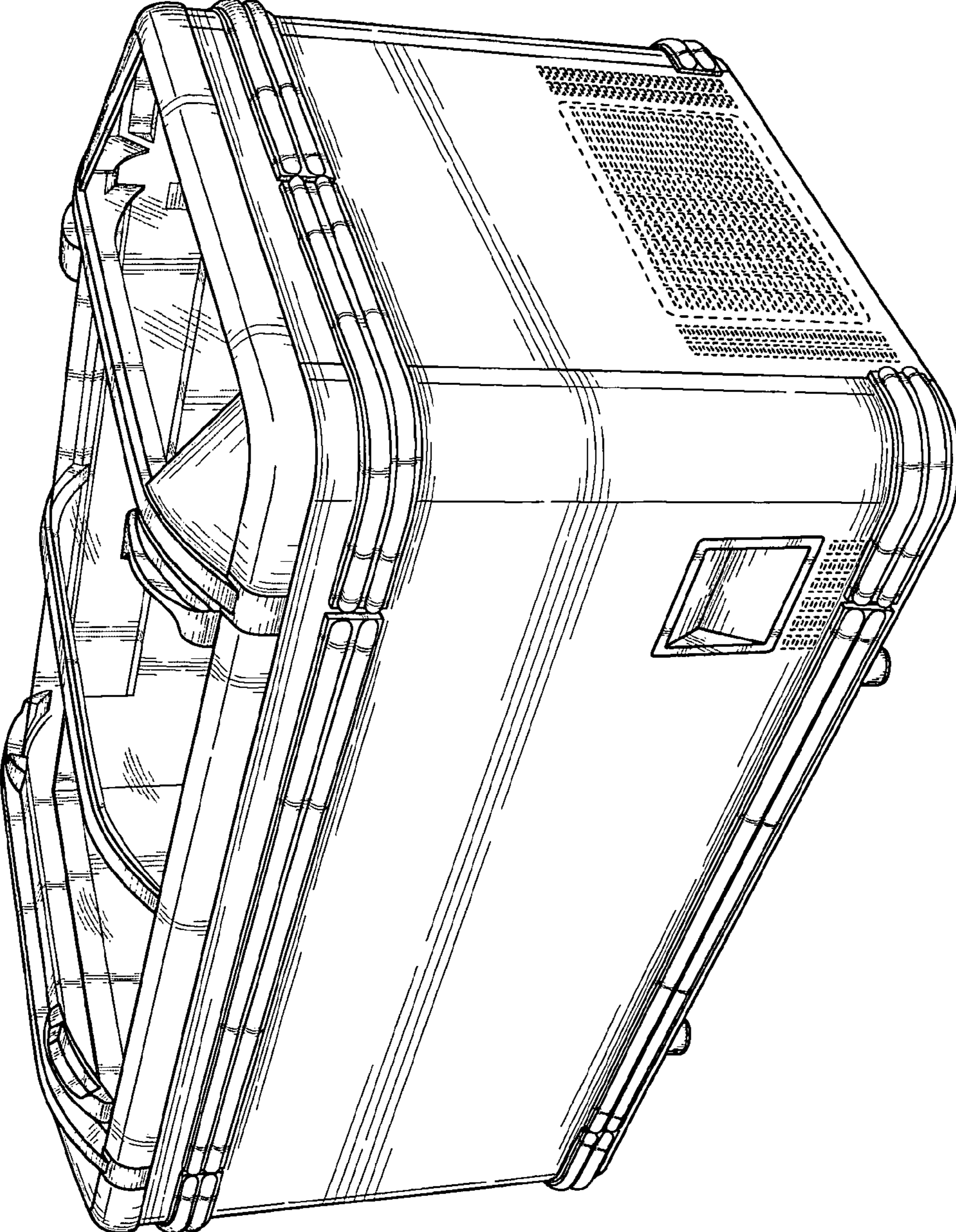


FIG. 1

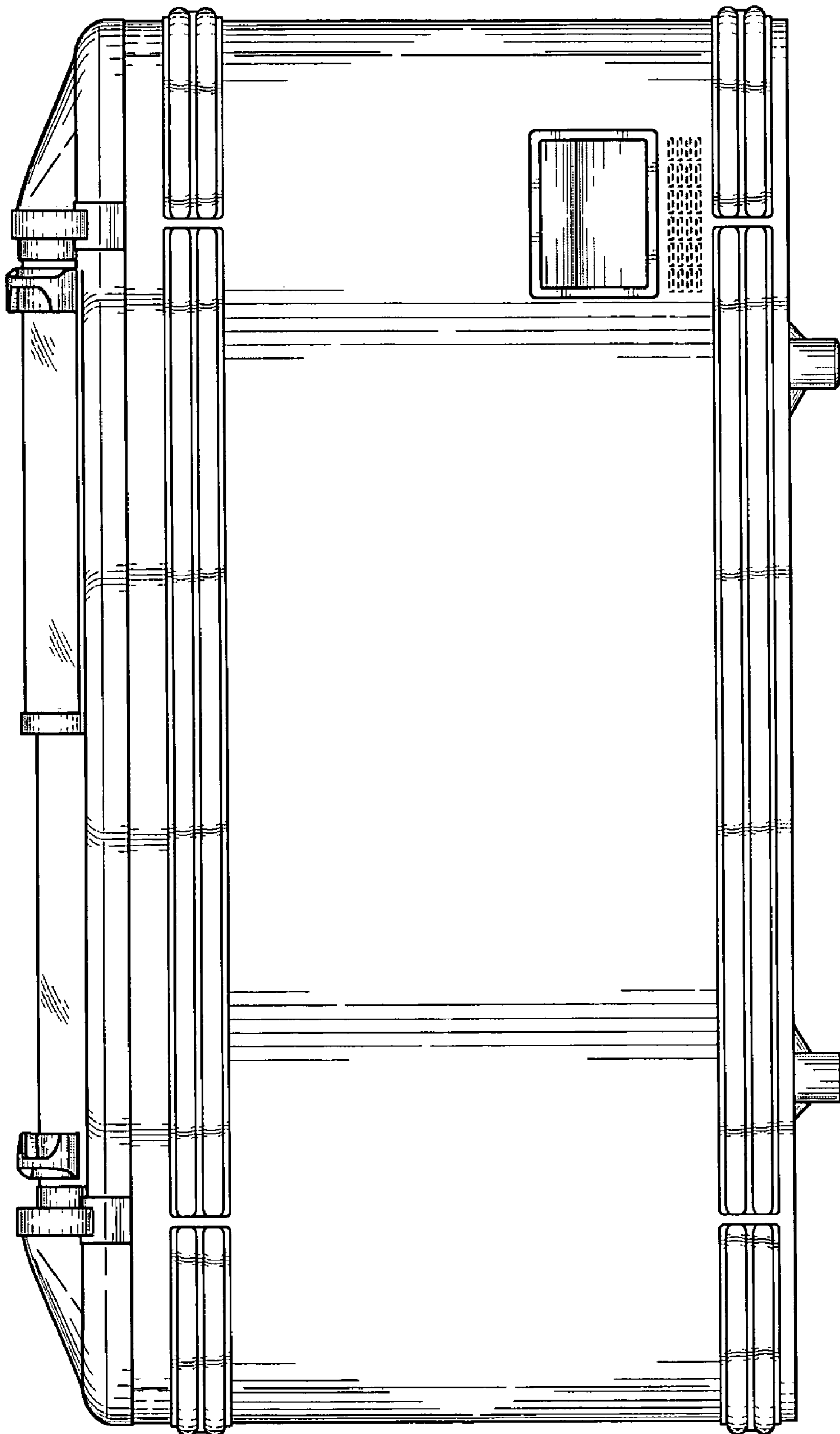


FIG. 2

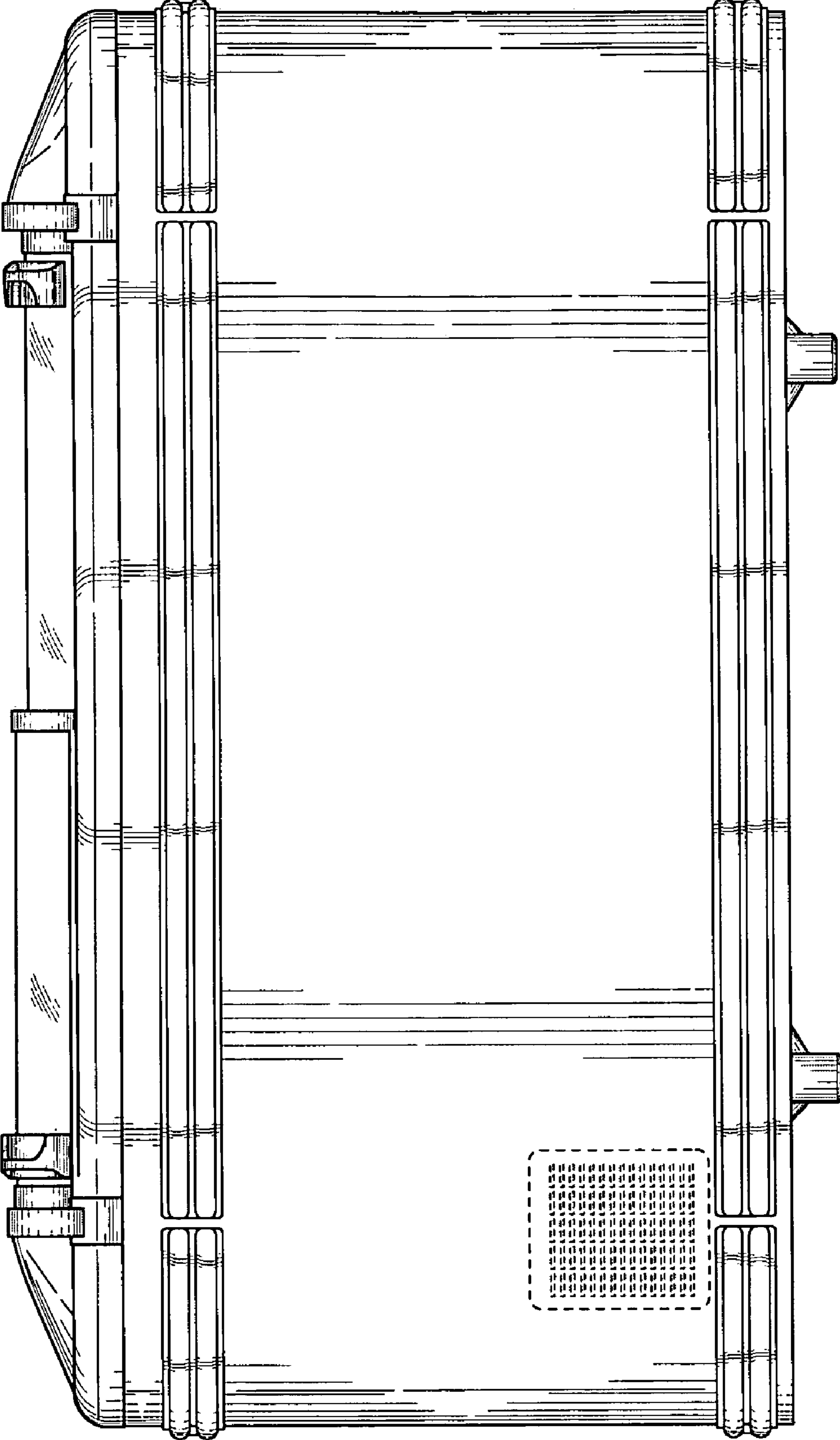


FIG. 3

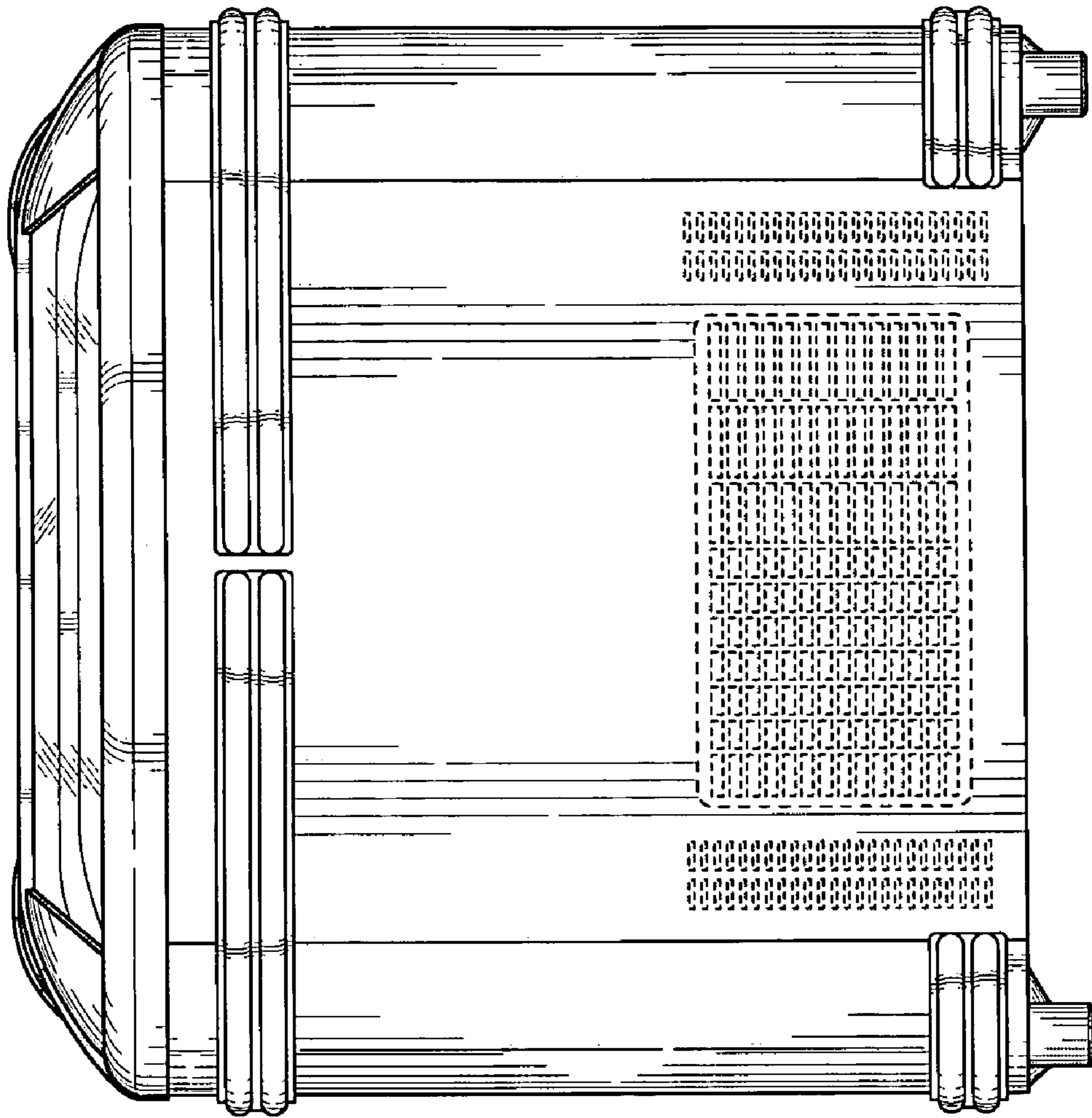


FIG. 4

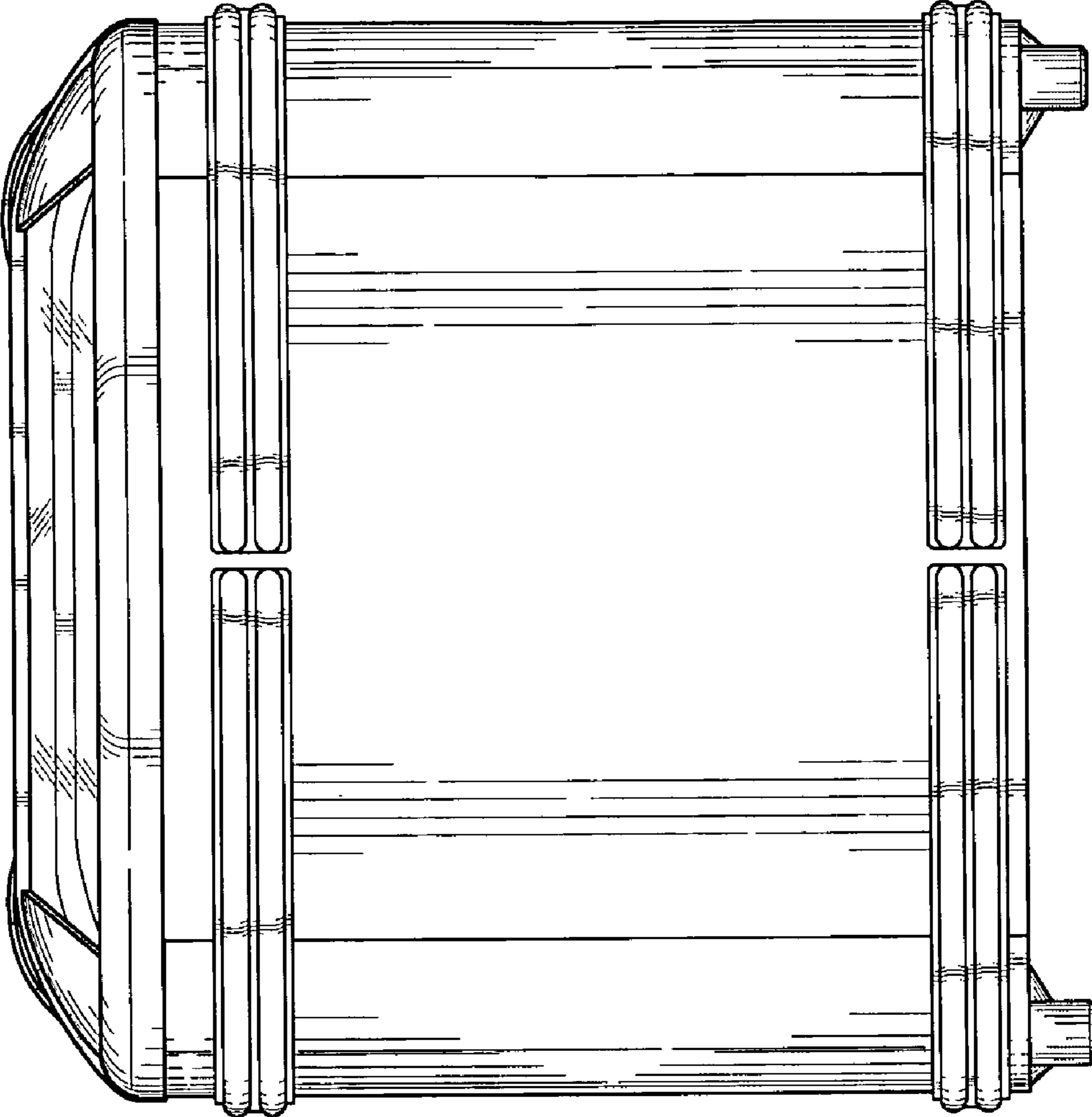


FIG. 5

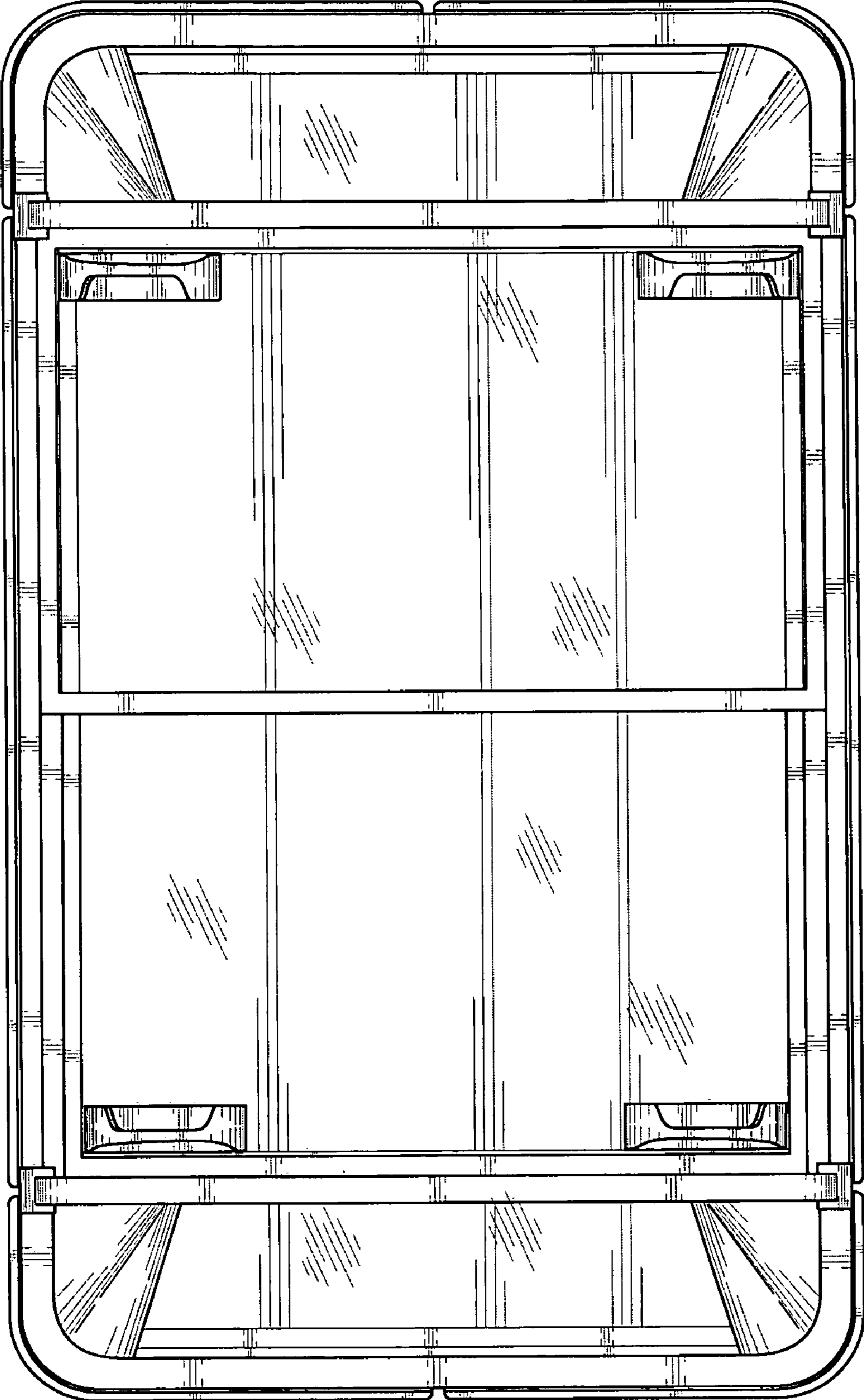


FIG. 6

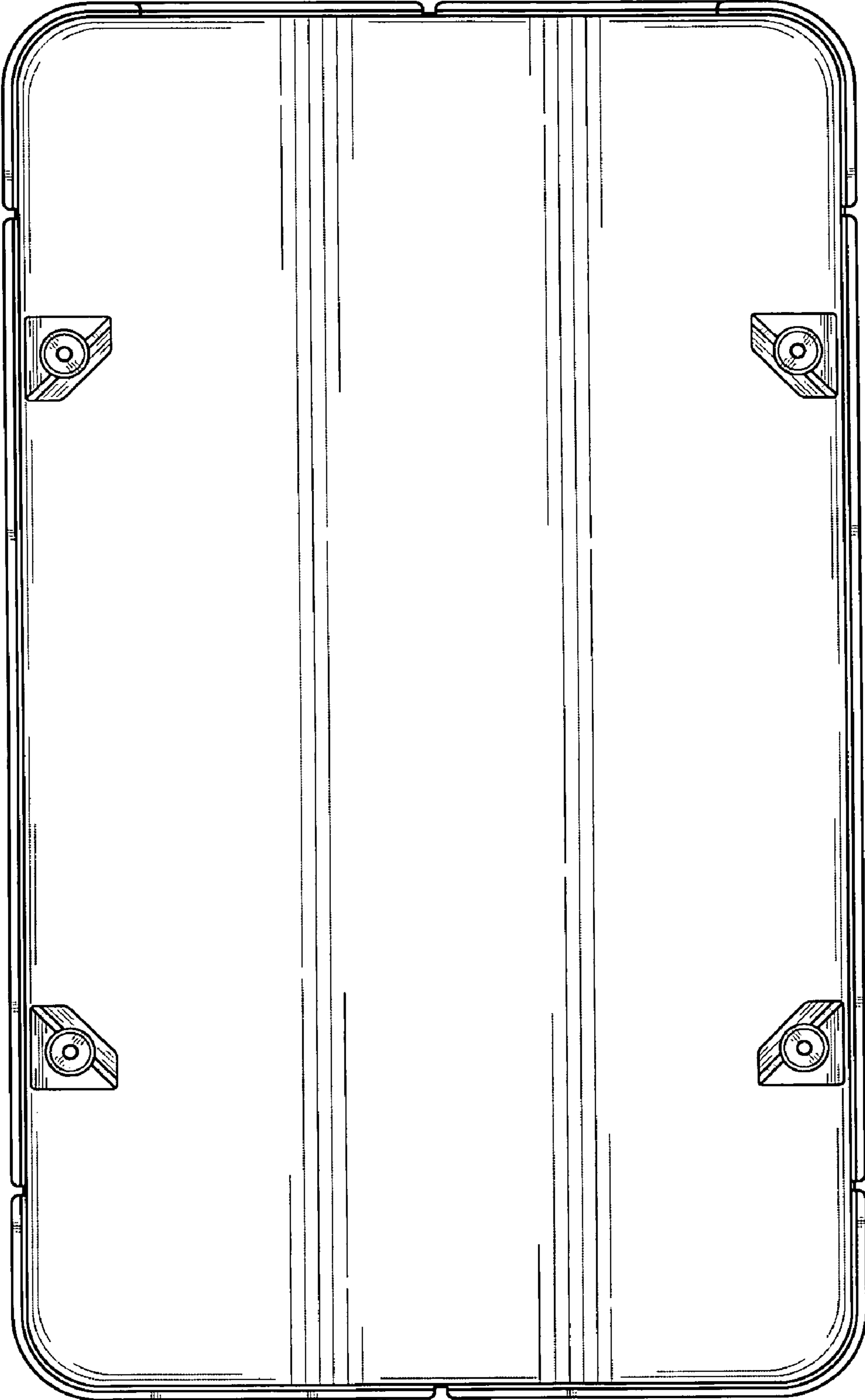


FIG. 7