



US00D586355S

(12) **United States Design Patent**  
**Mori et al.**

(10) **Patent No.:** **US D586,355 S**  
(45) **Date of Patent:** **\*\* Feb. 10, 2009**

(54) **CONTROL DEVICE FOR AN AUTOMATED WAREHOUSING SYSTEM WITH A USER INTERFACE**

(75) Inventors: **Hiroki Mori**, Kariya (JP); **Kazuhiro Morita**, Kariya (JP)

(73) Assignee: **Kabushiki Kaisha Toyota Jidoshokki**, Kariya-Shi (JP)

(\*\*) Term: **14 Years**

(21) Appl. No.: **29/273,245**

(22) Filed: **Feb. 27, 2007**

(30) **Foreign Application Priority Data**

Sep. 1, 2006 (JP) ..... 2006-023491

(51) **LOC (9) Cl.** ..... **14-04**

(52) **U.S. Cl.** ..... **D14/486; D14/487**

(58) **Field of Classification Search** ..... D14/485-495;  
715/700-705, 716, 727, 730, 748, 750, 751,  
715/760-762, 764, 775-781, 786, 787, 808-810,  
715/832-846, 863-867, 973-977  
See application file for complete search history.

(56) **References Cited**

**U.S. PATENT DOCUMENTS**

- 5,141,380 A 8/1992 Kato et al.
- 5,680,323 A \* 10/1997 Barnard ..... 715/720
- 5,945,990 A \* 8/1999 Morrison et al. .... 715/748
- D424,541 S \* 5/2000 Mugura ..... D14/486
- D426,206 S \* 6/2000 Richter ..... D14/487
- 6,460,040 B1 \* 10/2002 Burns ..... 715/762
- 6,658,418 B2 \* 12/2003 Burns ..... 715/206

- 6,828,993 B1 \* 12/2004 Hendricks et al. .... 715/819
- 7,013,260 B2 \* 3/2006 Asada ..... 715/700
- 7,043,691 B1 \* 5/2006 Kwon et al. .... 715/705
- 7,149,698 B2 \* 12/2006 Guheen et al. .... 705/1
- D547,320 S \* 7/2007 Kim et al. .... D14/486
- D550,682 S \* 9/2007 Vieggers et al. .... D14/486
- D567,251 S \* 4/2008 Sadler ..... D14/486

\* cited by examiner

*Primary Examiner*—Cathron C Brooks

*Assistant Examiner*—Deanna Fluegeman

(74) *Attorney, Agent, or Firm*—Morgan & Finnegan, LLP

(57) **CLAIM**

The ornamental design for a control device for an automated warehousing system with a user interface, as shown and described.

**DESCRIPTION**

FIG. 1 is a front perspective view of our design for a control device for an automated warehousing system with a user interface;

FIG. 2 is a front view thereof;

FIG. 3 is a rear view thereof;

FIG. 4 is a top plan view thereof;

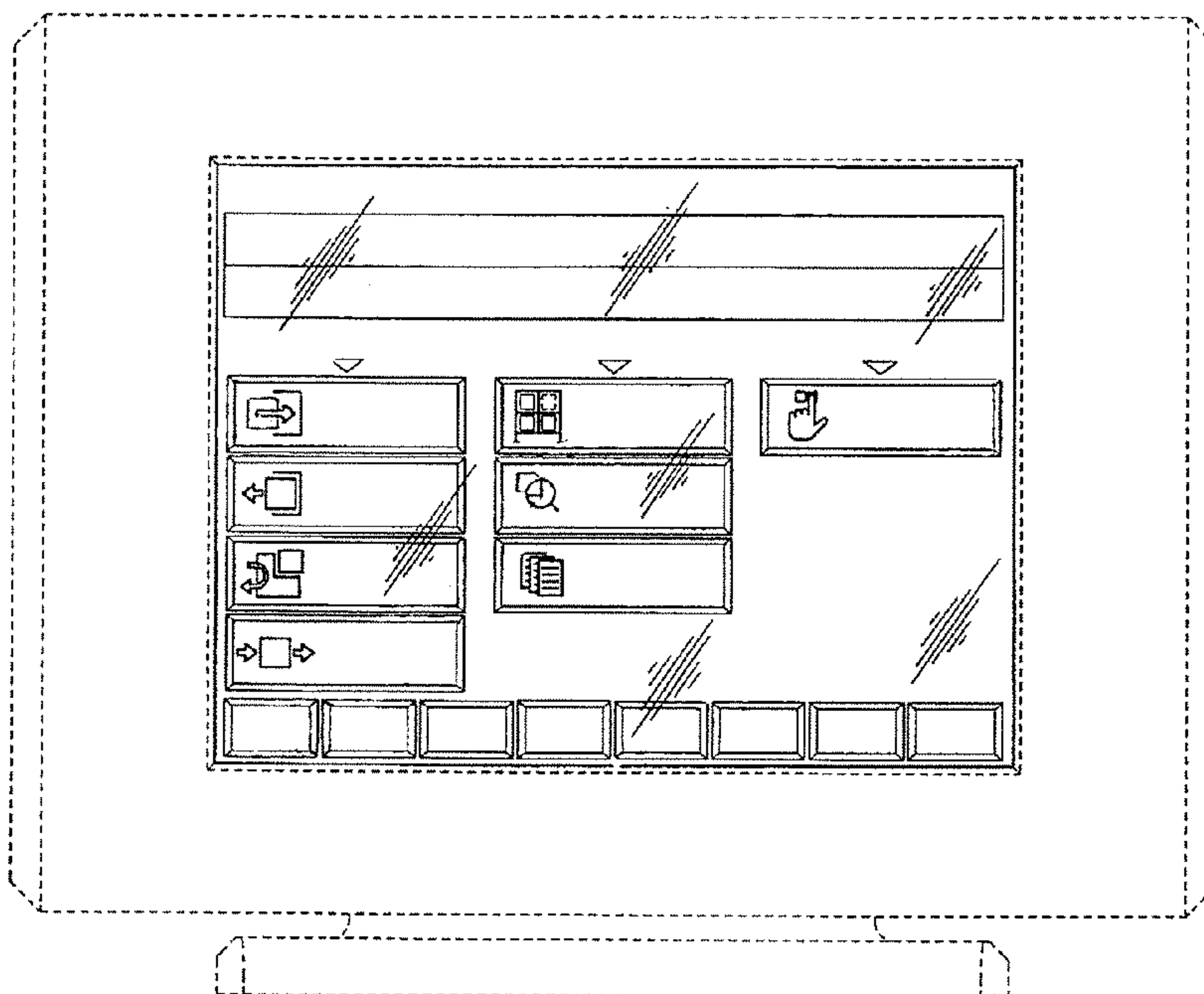
FIG. 5 is a bottom plan view thereof;

FIG. 6 is a right side elevational view thereof, the left side elevational view being a mirror image of FIG. 6; and,

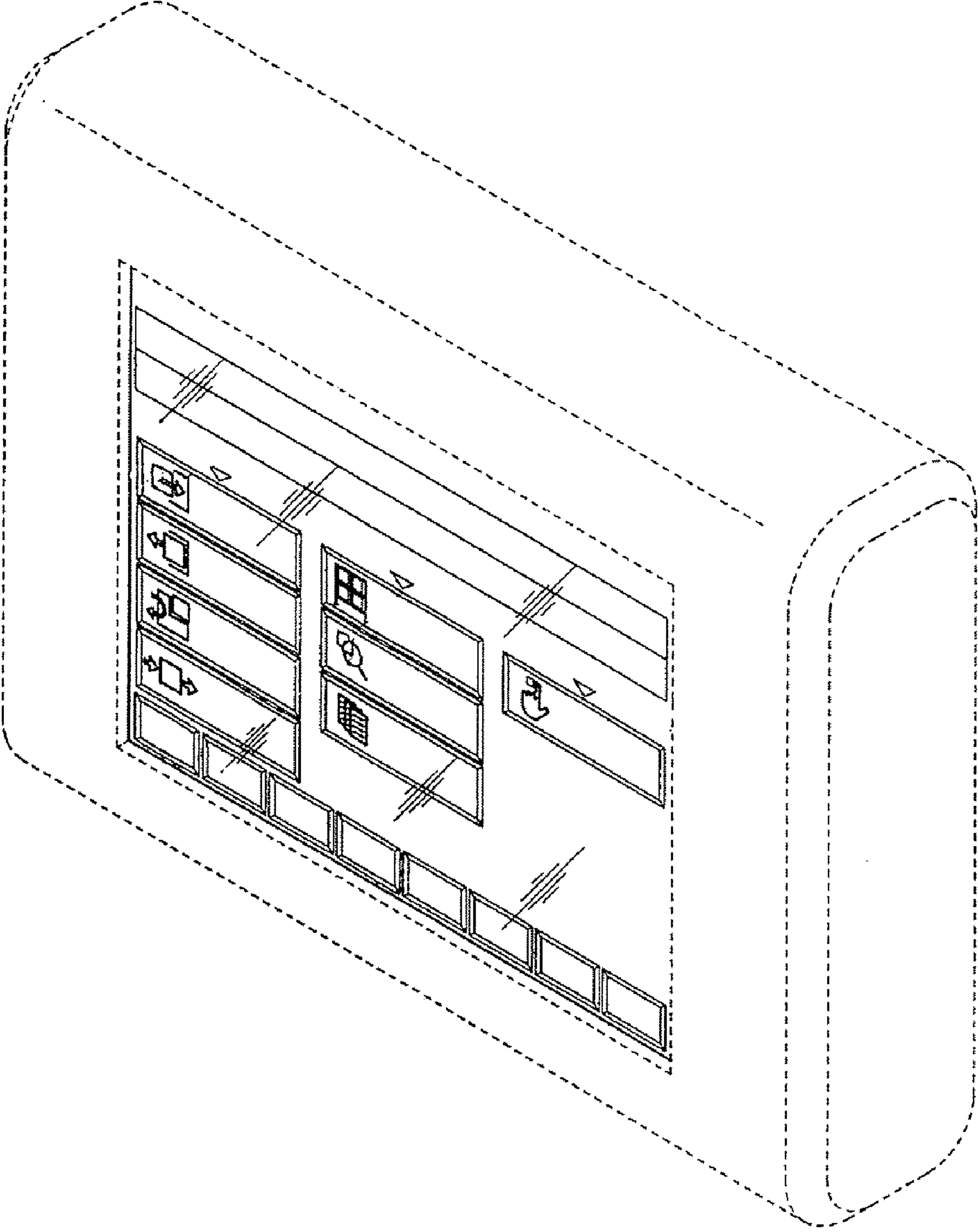
FIG. 7 is an enlarged front view of the display panel portion.

The broken lines are shown for illustrative purposes only and form no part of the claimed design.

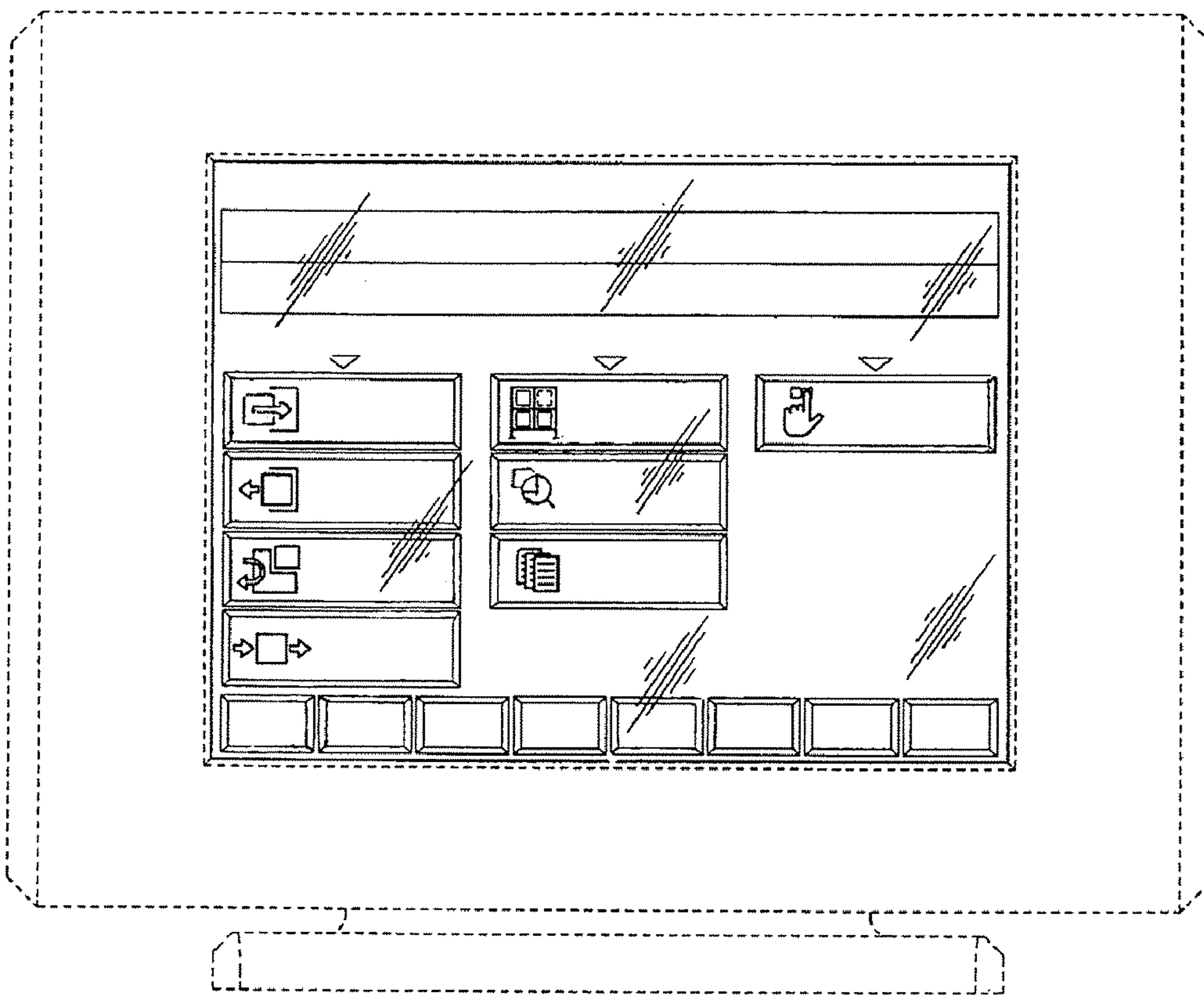
**1 Claim, 6 Drawing Sheets**



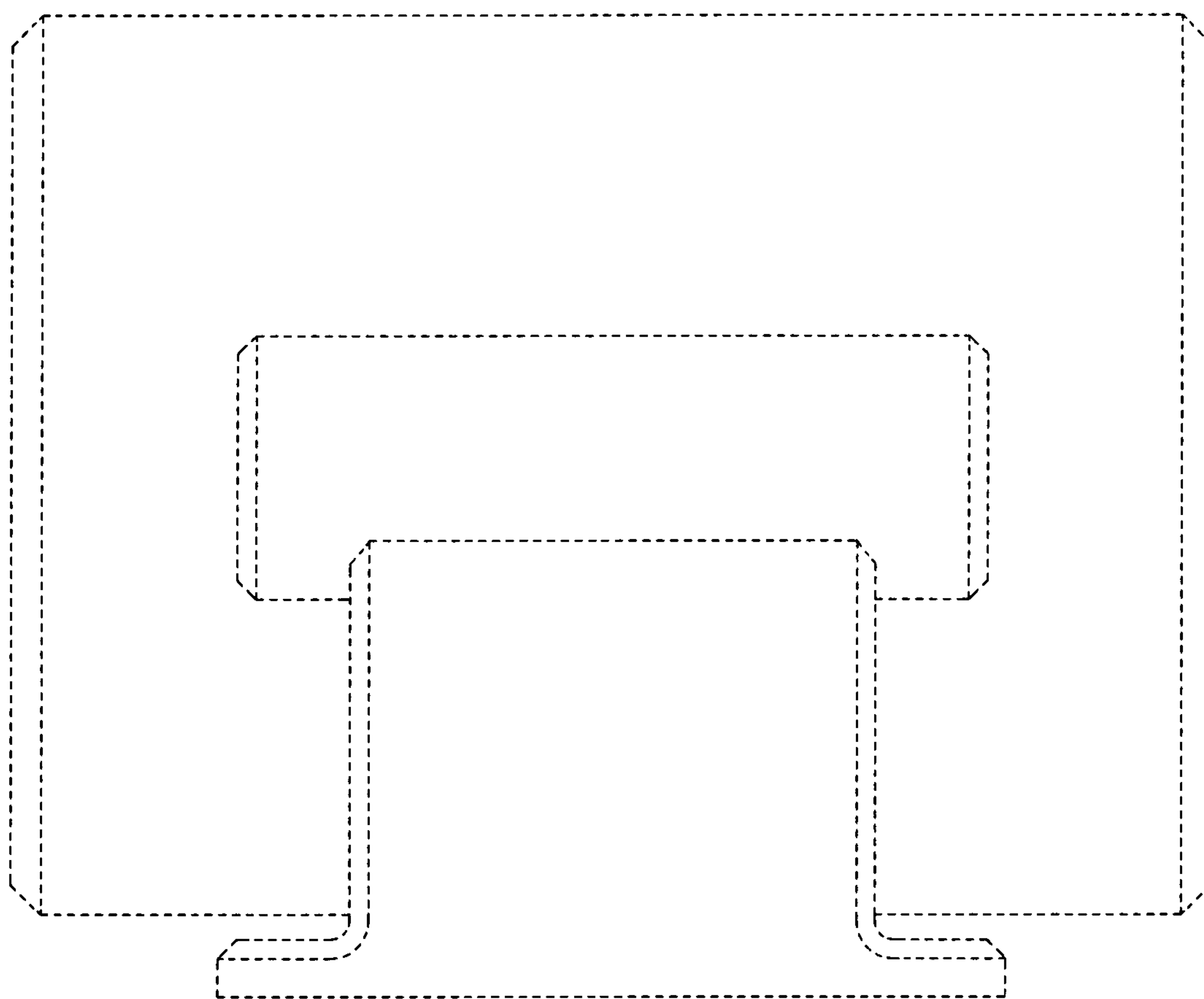
*FIG. 1*



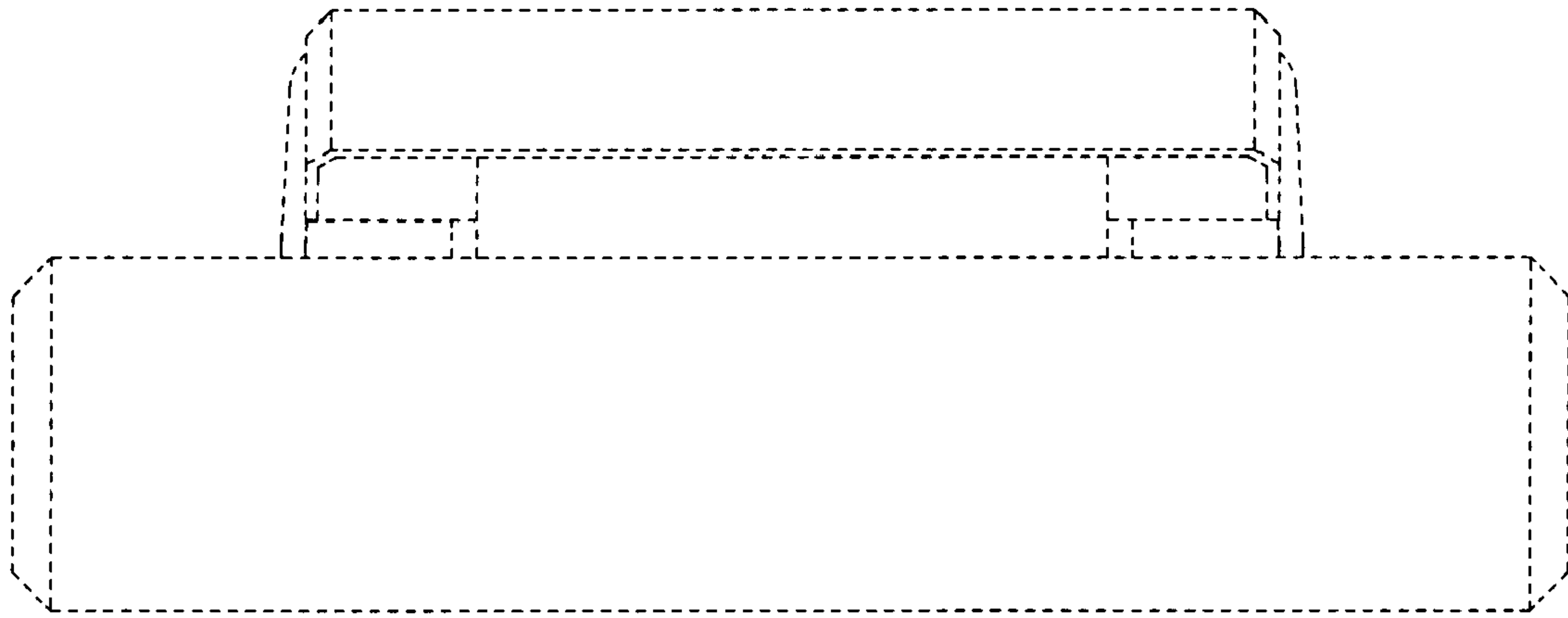
**FIG. 2**



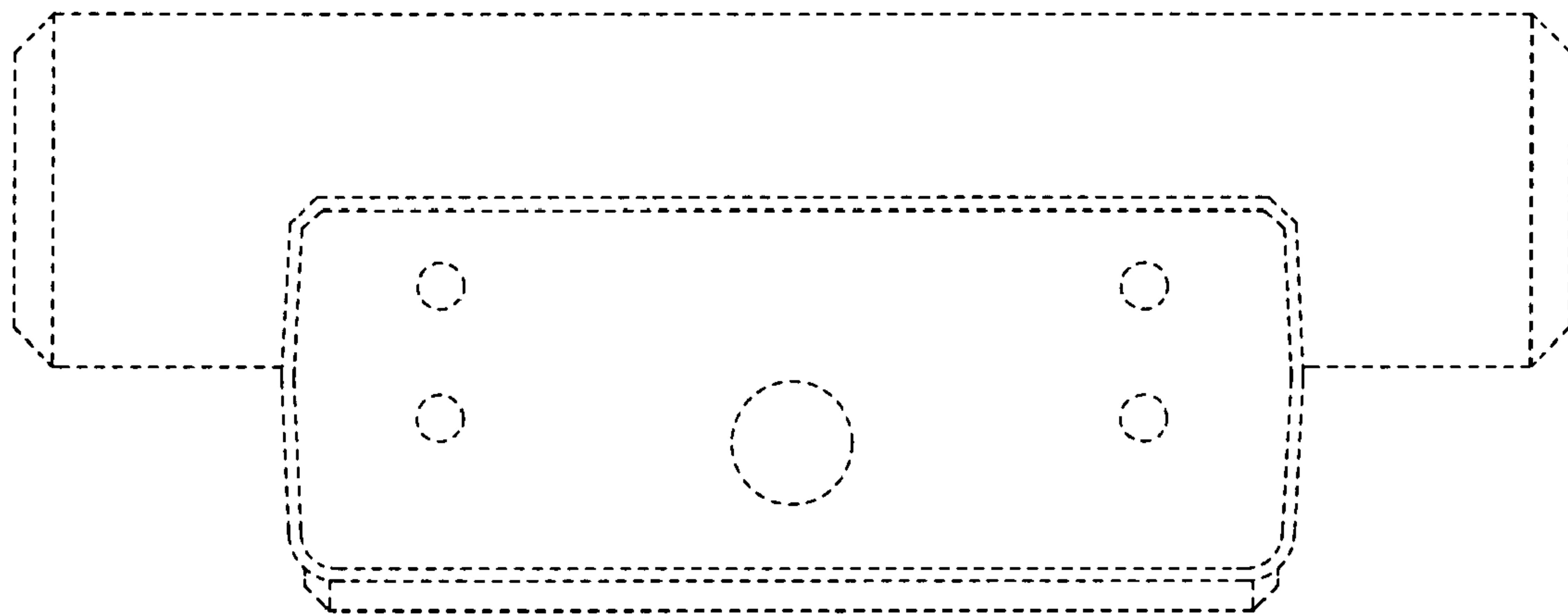
*FIG. 3*



***FIG. 4***



***FIG. 5***



***FIG. 6***

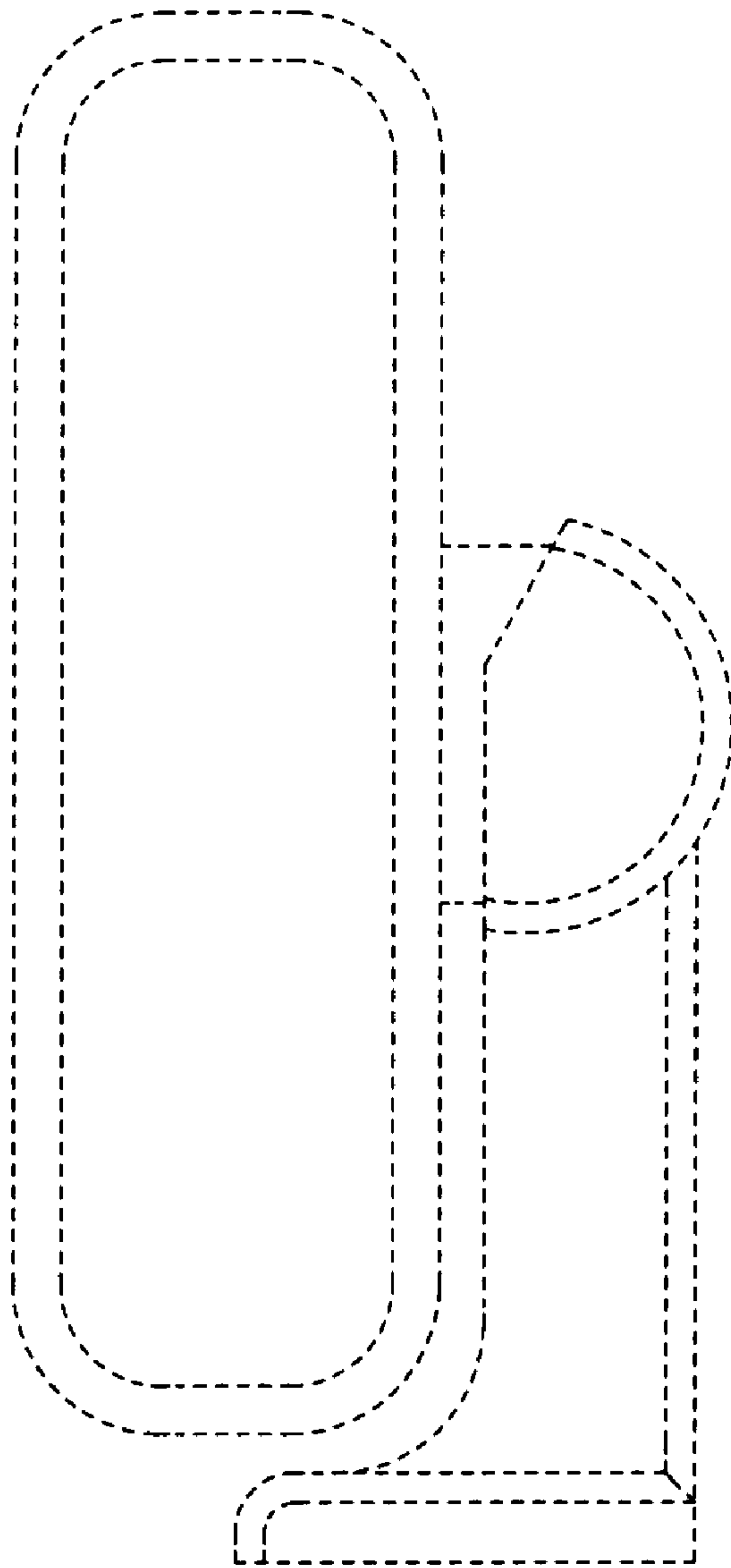




FIG. 7

