



US00D586350S

(12) **United States Design Patent**  
**Matsui et al.**

(10) **Patent No.:** **US D586,350 S**  
(45) **Date of Patent:** **\*\* Feb. 10, 2009**

(54) **ANTI-GLARE HOOD FOR DISPLAY**

(75) Inventors: **Seiji Matsui**, Tokyo (JP); **Harumichi Tanaka**, Osaka (JP)

(73) Assignee: **NEC Display Solutions, Ltd.**, Tokyo (JP)

(\*\*) Term: **14 Years**

(21) Appl. No.: **29/302,843**

(22) Filed: **Jan. 25, 2008**

(30) **Foreign Application Priority Data**

Jul. 25, 2007 (JP) ..... 2007-020186

(51) **LOC (9) Cl.** ..... **14-02**

(52) **U.S. Cl.** ..... **D14/449; D6/396**

(58) **Field of Classification Search** ..... D6/396,  
D6/449, 451, 480; 248/442.2; 359/601,  
359/612, 609, 608; D99/43; D14/449, 458,  
D14/450; 361/681; 348/834, 842  
See application file for complete search history.

(56) **References Cited**

**U.S. PATENT DOCUMENTS**

4,444,465	A *	4/1984	Giulie et al.	.....	359/601
4,569,572	A *	2/1986	Kopich	.....	359/601
D305,648	S *	1/1990	Edington	.....	D14/450
D323,322	S *	1/1992	Cress et al.	.....	D14/458
5,115,345	A *	5/1992	Hobson et al.	.....	359/601
5,121,253	A *	6/1992	Waintroob	.....	359/601
5,218,474	A *	6/1993	Kirschner	.....	359/601
5,243,463	A *	9/1993	Waintroob	.....	359/601
D375,730	S *	11/1996	Chen	.....	D14/449
D379,178	S *	5/1997	Kane	.....	D14/449
D385,543	S *	10/1997	Phirippidis et al.	.....	D14/449
5,717,566	A *	2/1998	Tao	.....	361/681

5,818,635	A *	10/1998	Hohn et al.	.....	359/612
5,905,546	A *	5/1999	Giulie et al.	.....	348/842
D411,753	S *	6/1999	Jobin	.....	D99/43
5,997,145	A *	12/1999	Mora	.....	359/609
D423,478	S *	4/2000	Feasey	.....	D14/449
D423,481	S *	4/2000	Geremia	.....	D14/450
D431,536	S *	10/2000	Feasey	.....	D14/449
6,144,418	A *	11/2000	Kappel et al.	.....	348/834
6,302,546	B1 *	10/2001	Kordiak	.....	359/608
D503,176	S *	3/2005	Wirachowsky	.....	D14/449
D514,582	S *	2/2006	Dulberger	.....	D14/449

\* cited by examiner

*Primary Examiner*—Caron Veynar

*Assistant Examiner*—Sydney R Buffalow

(74) *Attorney, Agent, or Firm*—Sughrue Mion, PLLC

(57) **CLAIM**

The ornamental design for an anti-glare hood for display, as shown and described.

**DESCRIPTION**

FIG. 1 is a front, right side, top perspective view of an anti-glare hood for display showing our new design;

FIG. 2 is a front elevational view thereof;

FIG. 3 is a rear elevational view thereof;

FIG. 4 is a left side view thereof;

FIG. 5 is a right side view thereof;

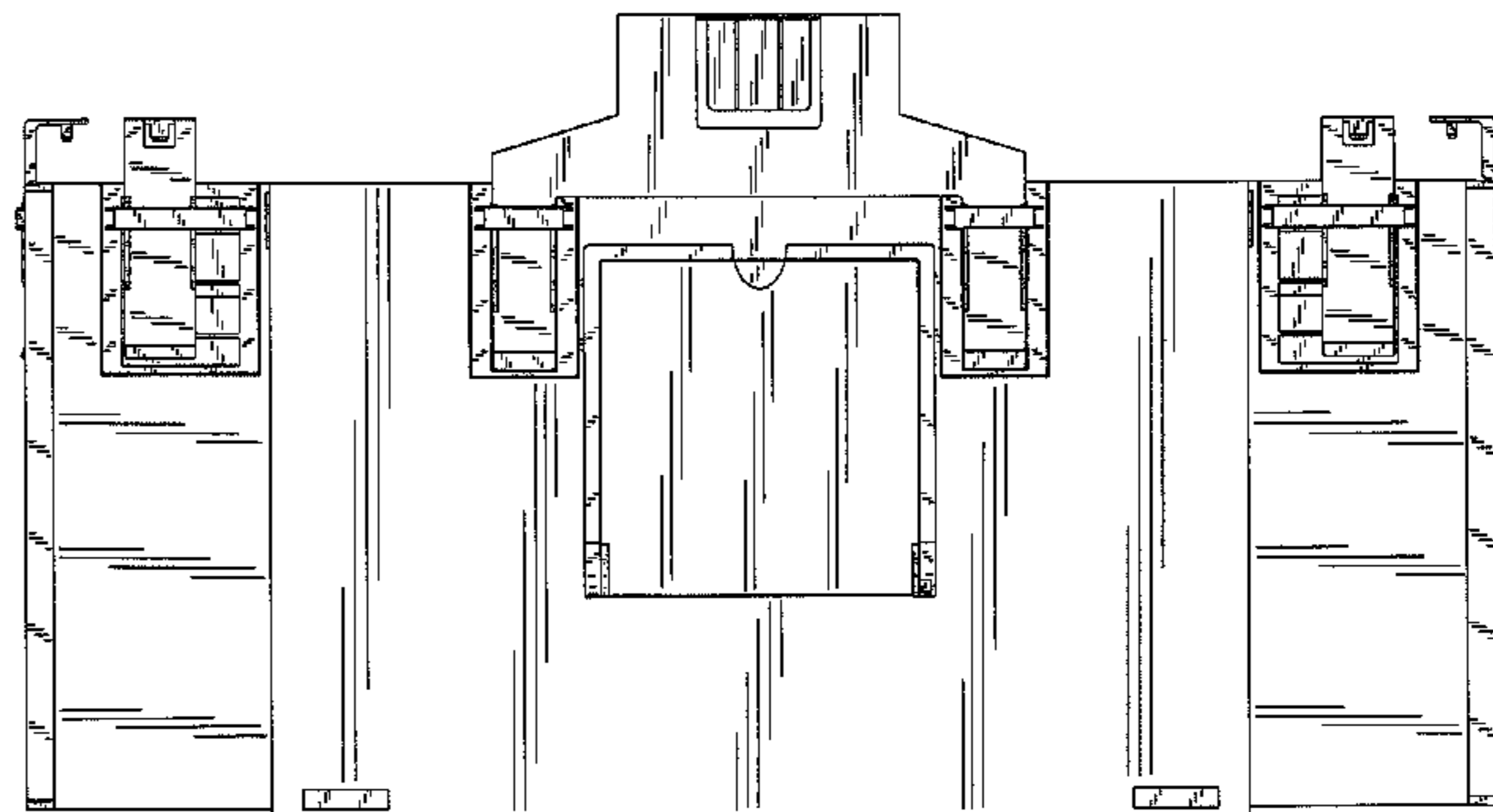
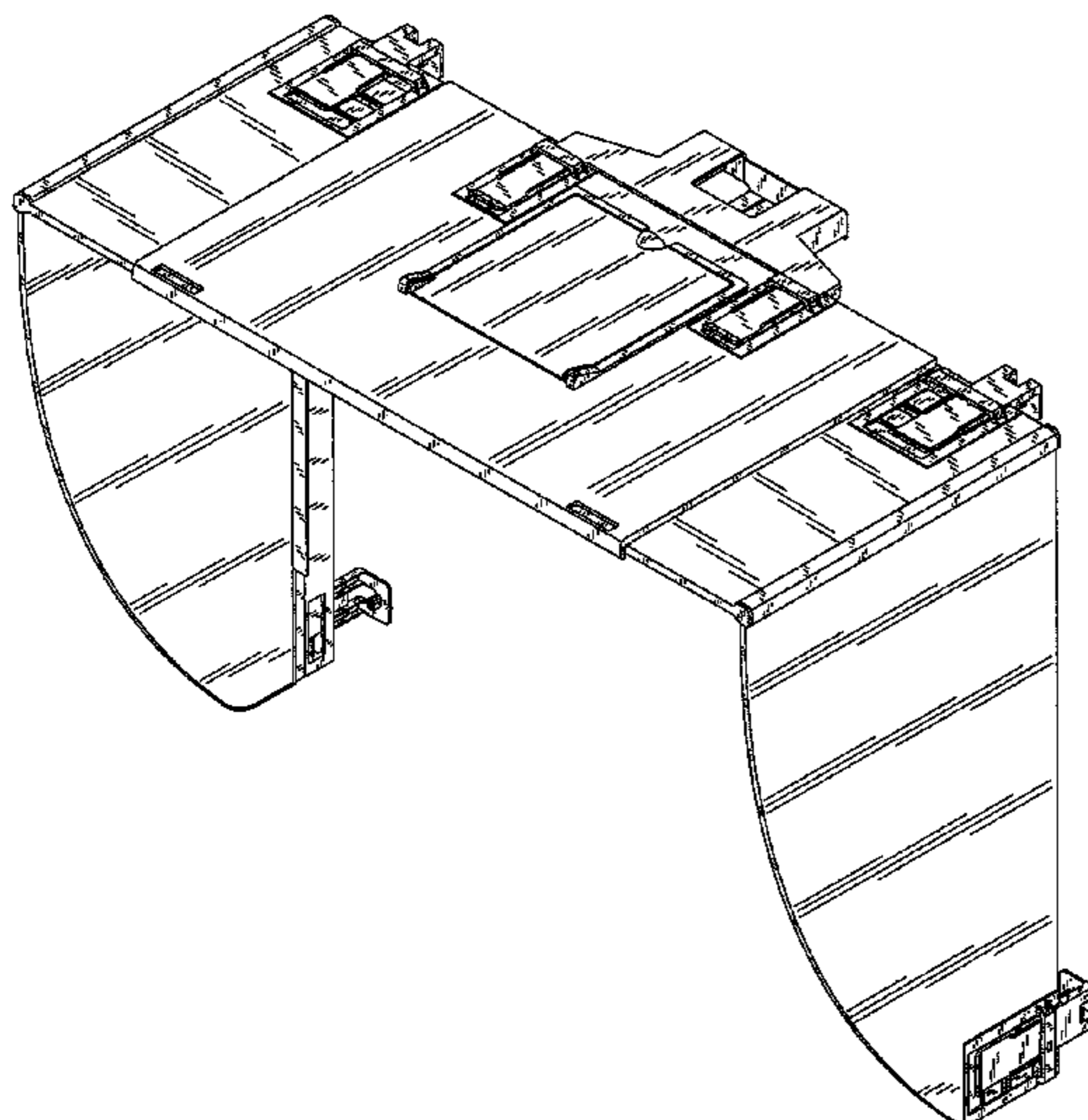
FIG. 6 is a top plan view thereof;

FIG. 7 is a bottom plan view thereof;

FIG. 8 is a perspective view thereof showing a state in which a small window is opened; and,

FIG. 9 is a reference perspective view thereof showing a state in which this article is mounted on a display.

**1 Claim, 8 Drawing Sheets**



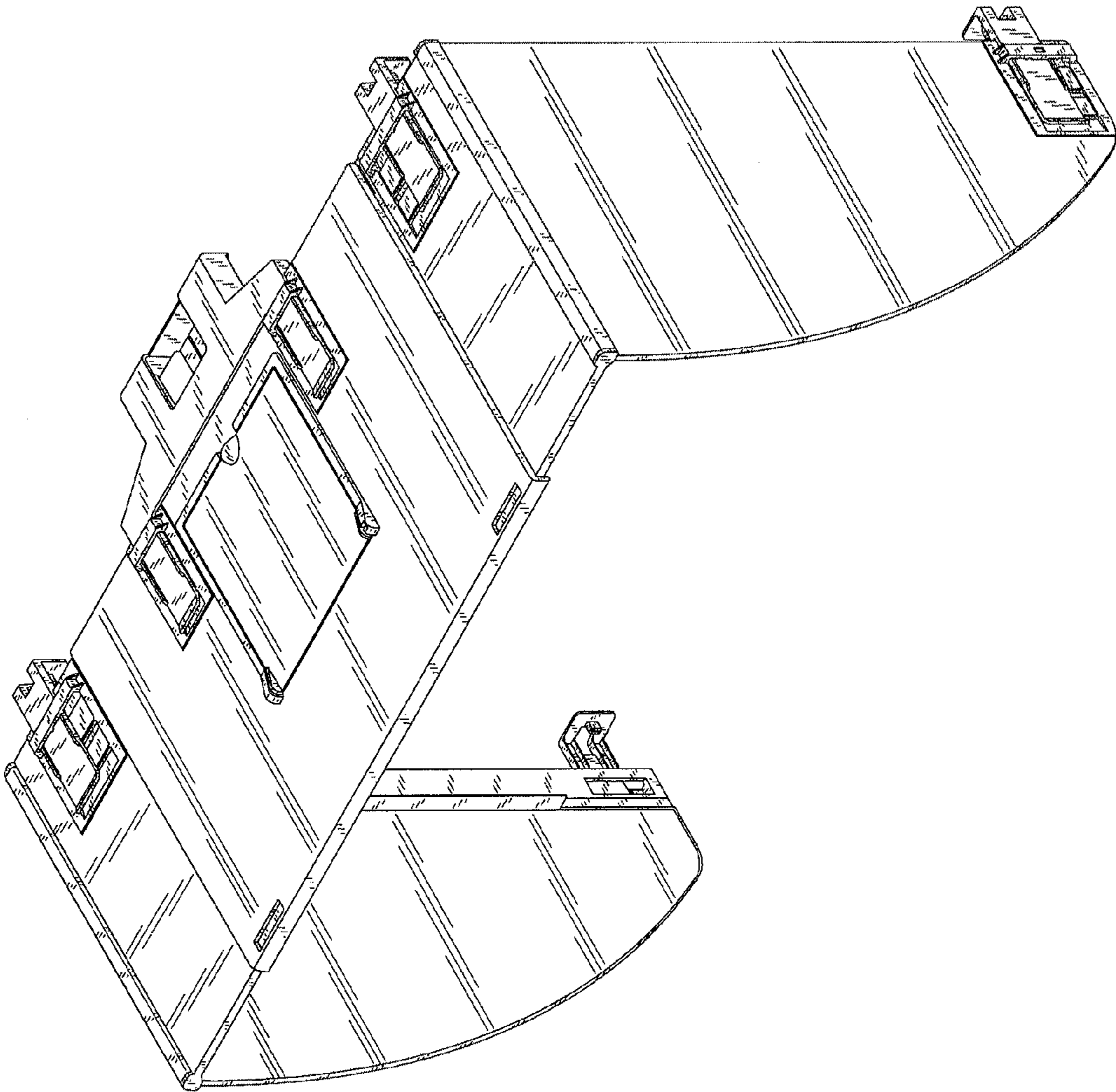


FIG. 1

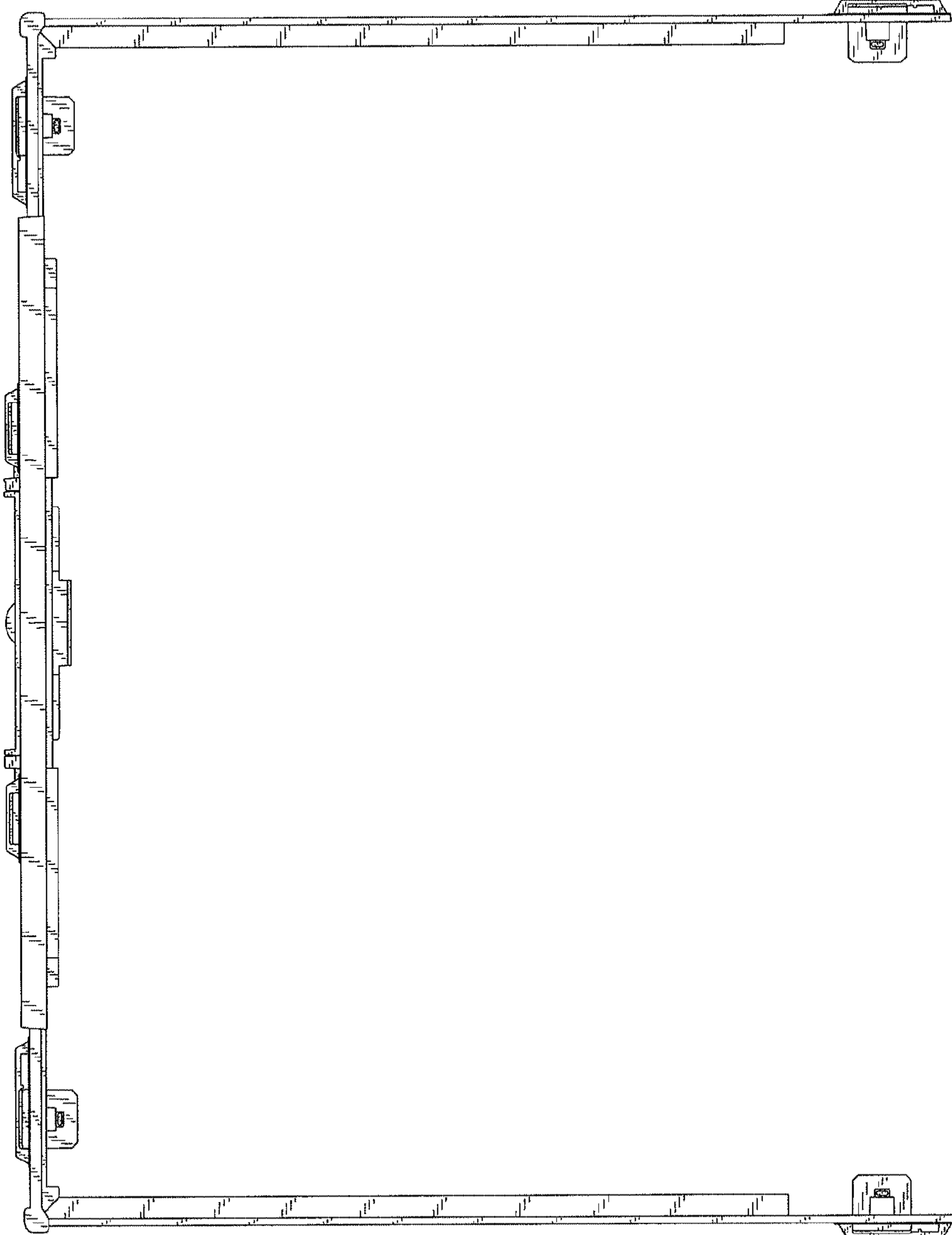


FIG. 2

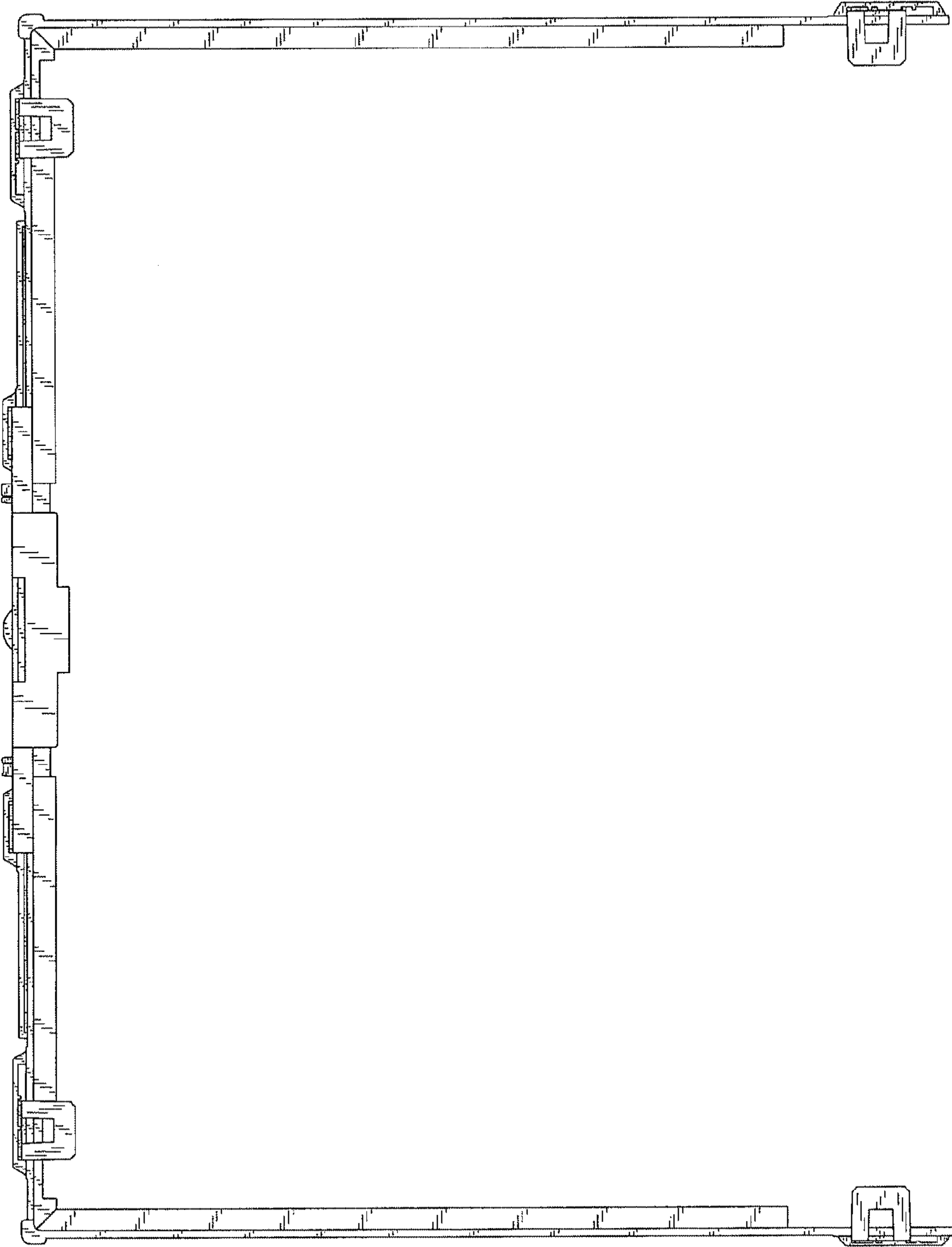


FIG. 3

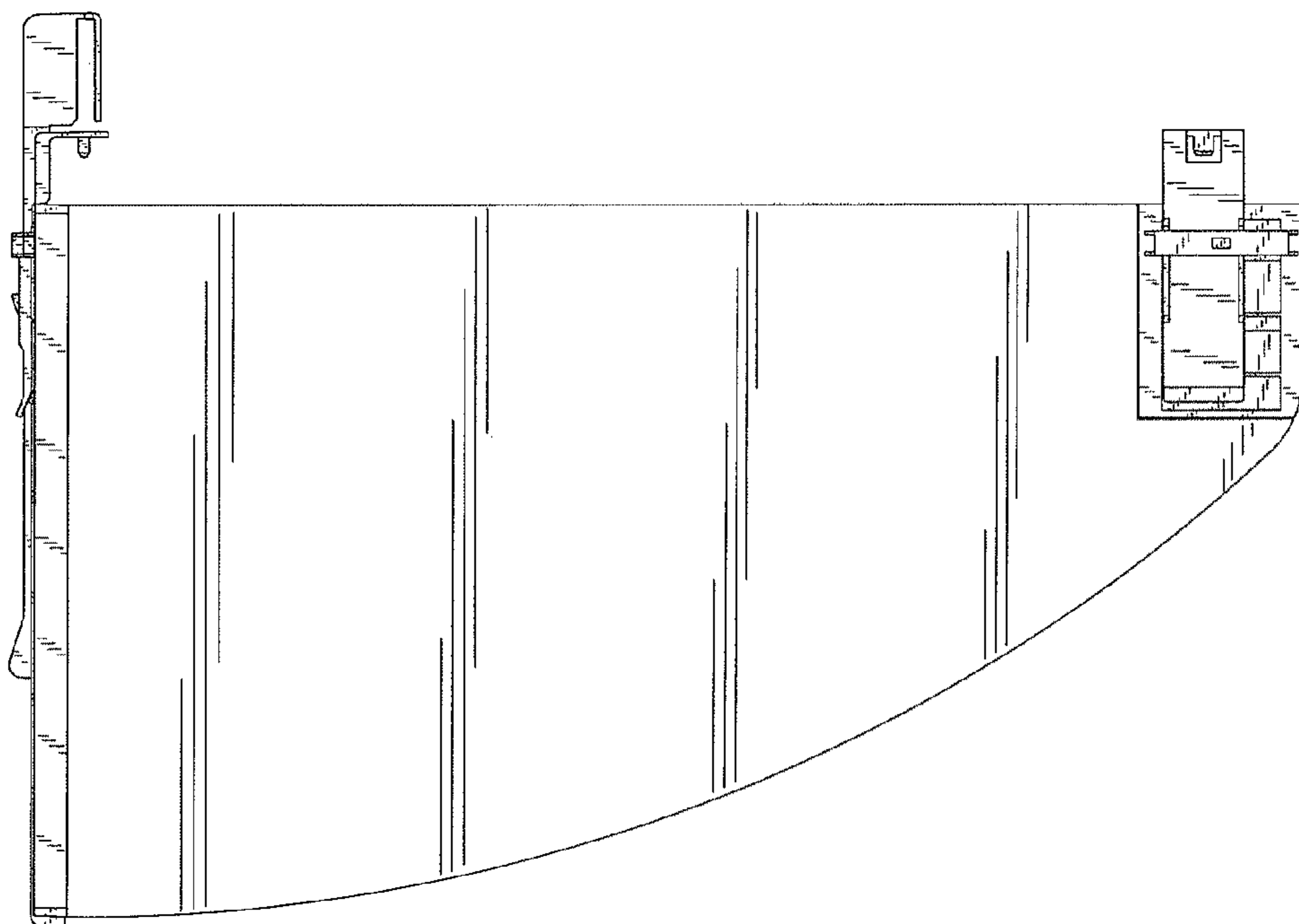


FIG. 5

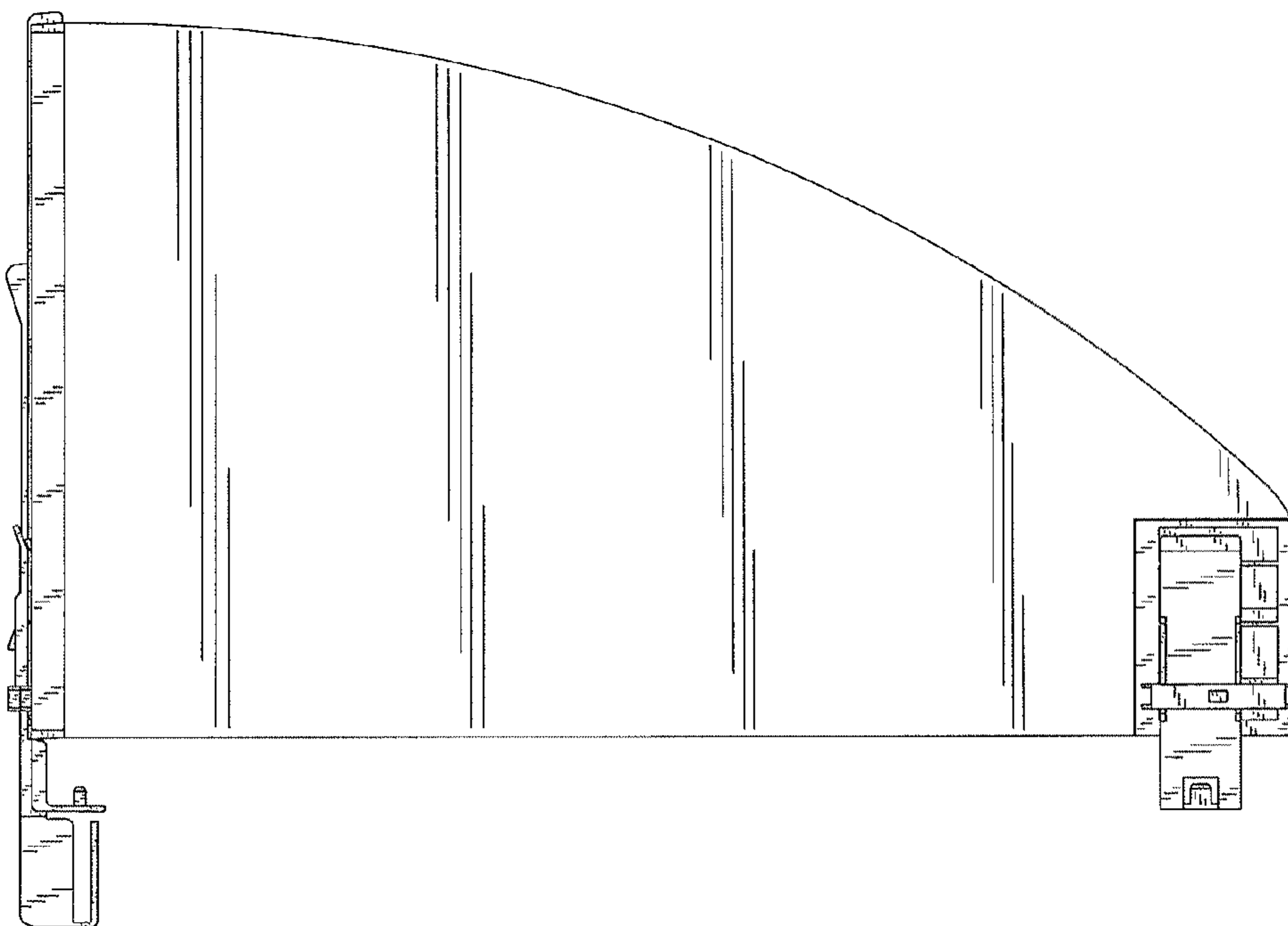


FIG. 4

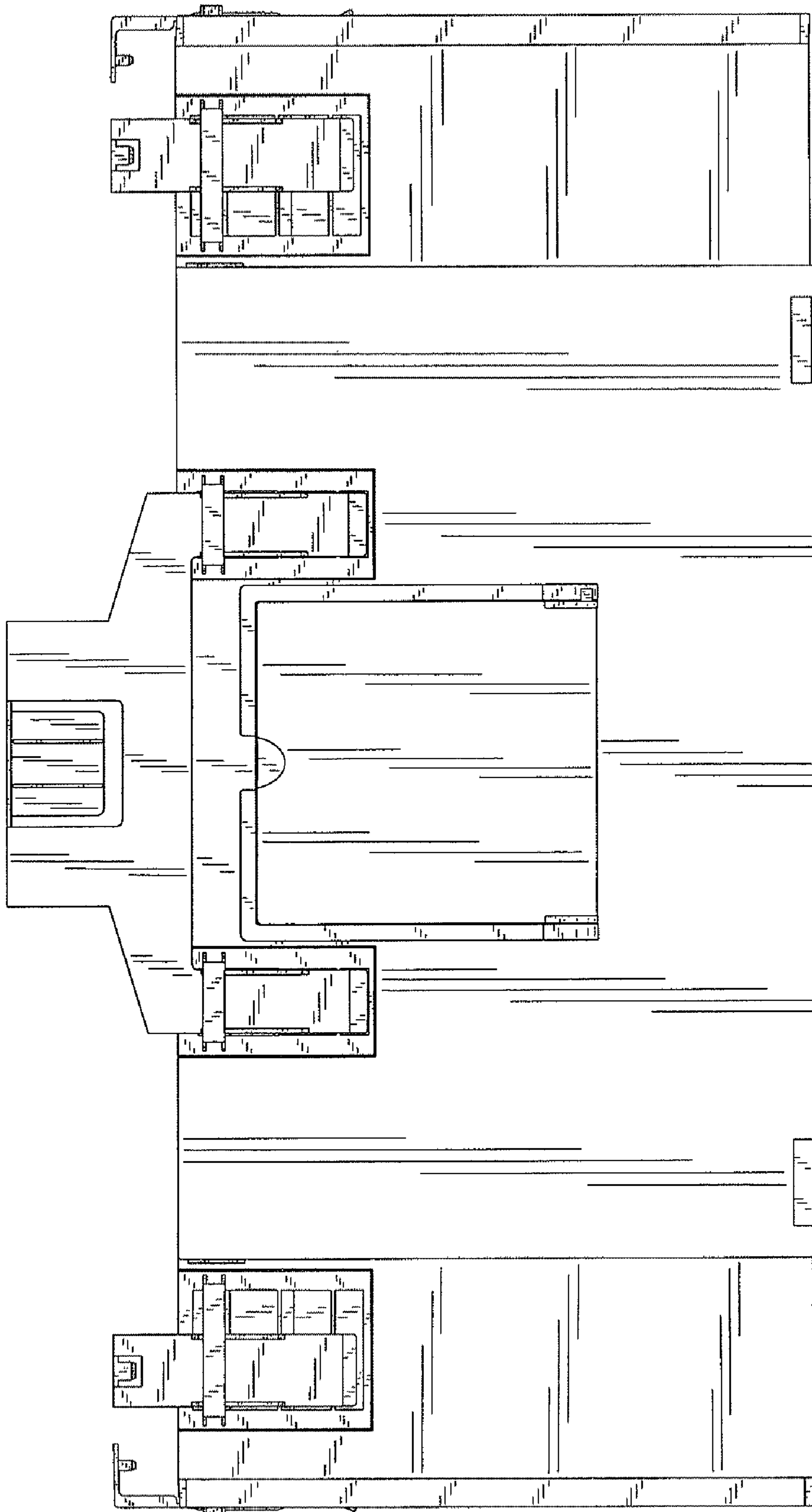


FIG. 6

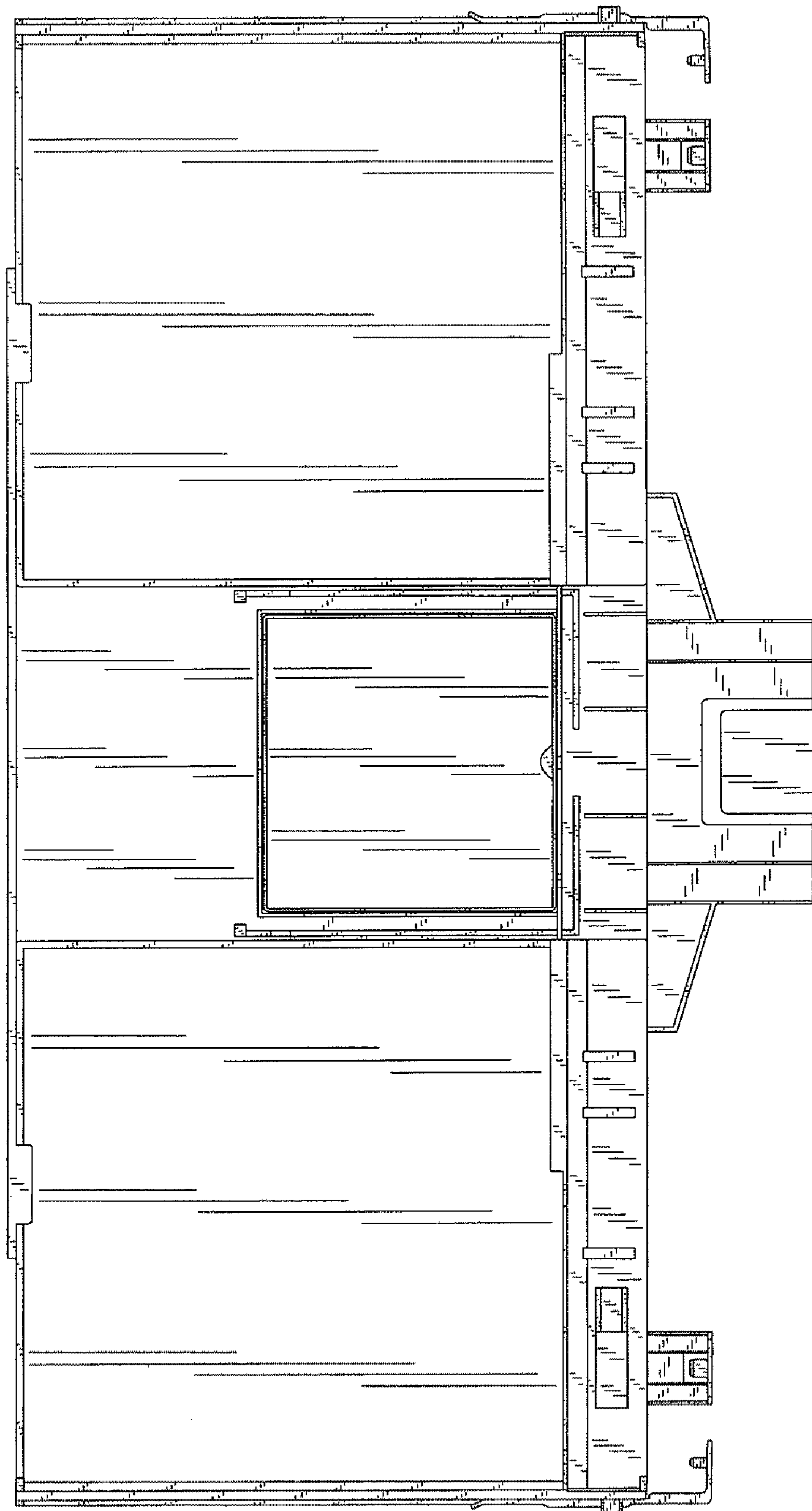


FIG. 7

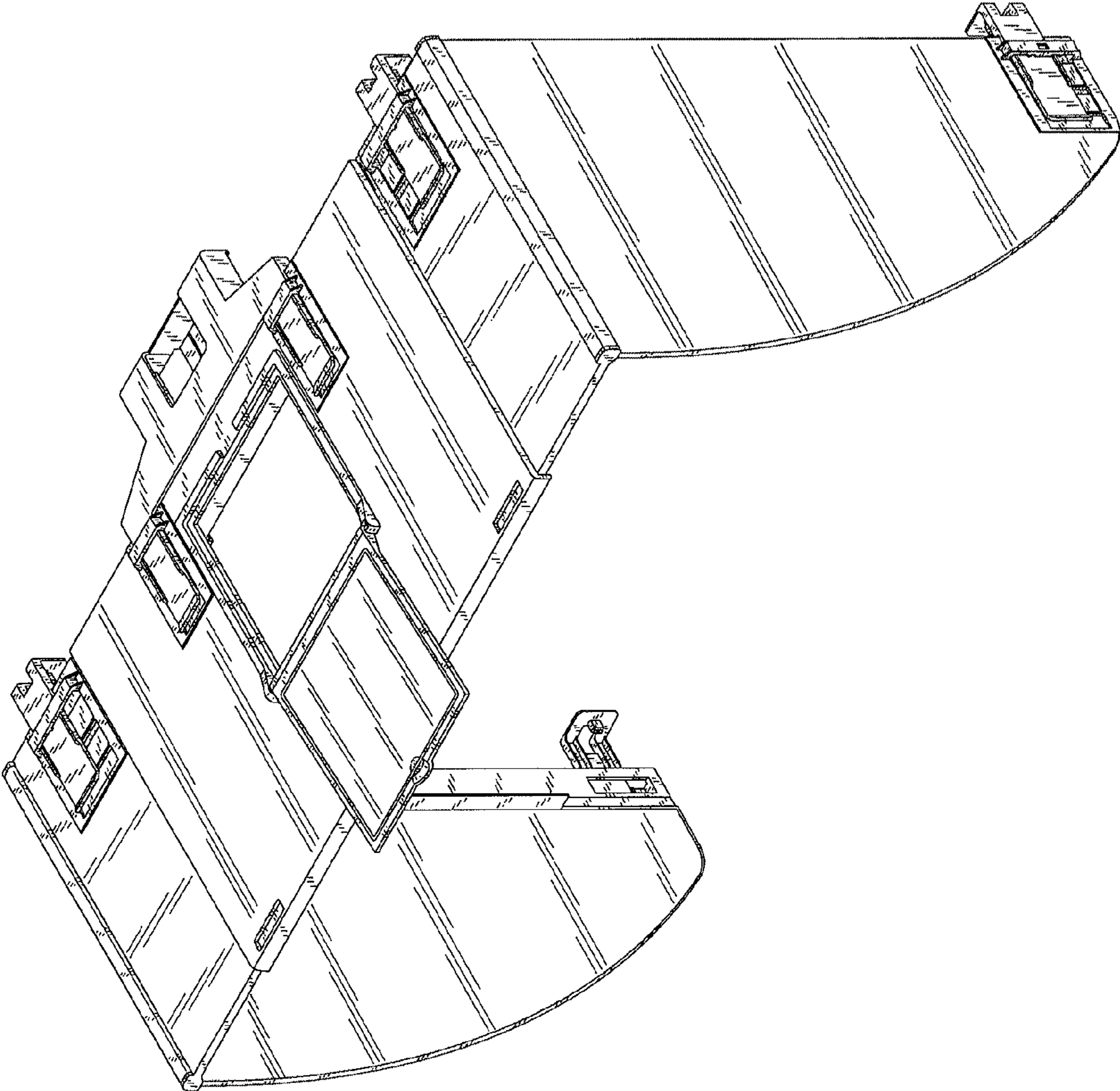


FIG. 8



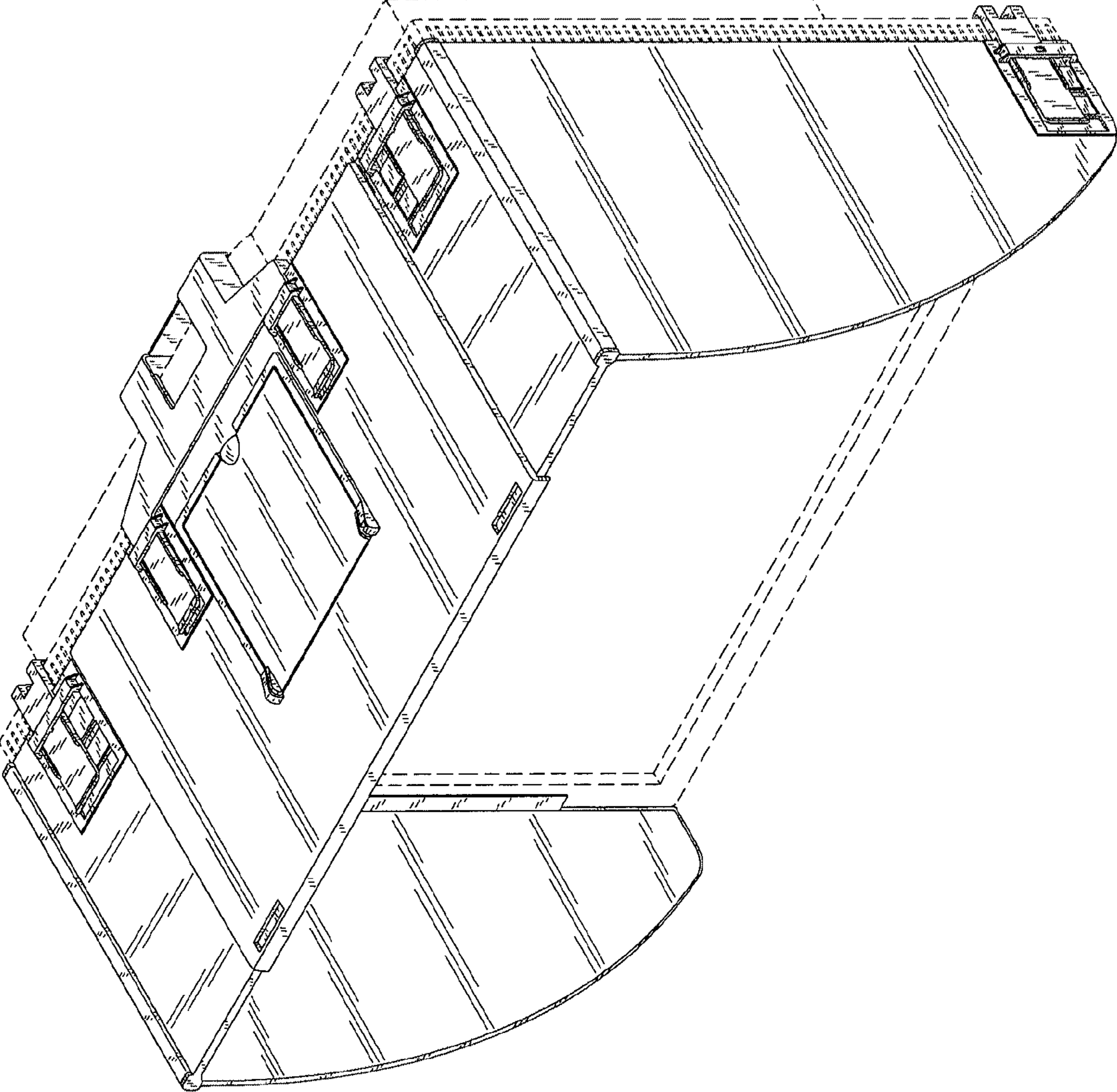


FIG. 9