



US00D586348S

(12) **United States Design Patent**  
**Leung et al.**

(10) **Patent No.:** **US D586,348 S**

(45) **Date of Patent:** **\*\* Feb. 10, 2009**

(54) **VEHICLE EXPANSION DOCK**

(75) Inventors: **Paul C. P. Leung**, Vancouver (CA);  
**Kenneth Kee Ho**, Burnaby (CA);  
**Ying-Chiu Chan**, Vancouver (CA)

(73) Assignee: **Empower Technologies, Inc.**, Redmond,  
WA (US)

(\*\*) Term: **14 Years**

(21) Appl. No.: **29/295,303**

(22) Filed: **Sep. 25, 2007**

(51) **LOC (9) Cl.** ..... **14-02**

(52) **U.S. Cl.** ..... **D14/434; D12/415**

(58) **Field of Classification Search** ..... D14/142,  
D14/149, 217, 251, 253, 432, 434, 435, 447,  
D14/496; D13/107-108, 118; 248/22.11,  
248/309.1; 320/107, 110, 113, 115; D12/415,  
D12/400

See application file for complete search history.

(56) **References Cited**

**U.S. PATENT DOCUMENTS**

D350,330 S *	9/1994	Peterson	.....	D13/107
6,711,005 B2 *	3/2004	Martin	.....	361/683
D518,033 S *	3/2006	Lee	.....	D14/224
D522,963 S *	6/2006	Hayes et al.	.....	D13/108
D530,333 S *	10/2006	Richter	.....	D14/447
D540,816 S *	4/2007	Kim	.....	D14/496
D553,106 S *	10/2007	Griffin	.....	D14/434
D560,592 S *	1/2008	Brassard	.....	D12/415
D560,657 S *	1/2008	Langberg et al.	.....	D14/214

D571,360 S *	6/2008	Andre et al.	.....	D14/217
D574,850 S *	8/2008	Zimman et al.	.....	D14/496
D576,999 S *	9/2008	Tofflinger	.....	D14/154
2006/0250764 A1 *	11/2006	Howarth et al.	.....	361/683

\* cited by examiner

*Primary Examiner*—Elizabeth A Albert

*Assistant Examiner*—Kelley A Donnelly

(74) *Attorney, Agent, or Firm*—Black Lowe & Graham,  
PLLC

(57) **CLAIM**

I claim the ornamental design for the vehicle expansion dock,  
as shown and described.

**DESCRIPTION**

FIG. 1 is a perspective view of a vehicle expansion dock  
showing the new design.

FIG. 2 is a top view of the vehicle expansion dock.

FIG. 3 is a front view of the vehicle expansion dock.

FIG. 4 is a right side view of the vehicle expansion dock.

FIG. 5 is a left side view of the vehicle expansion dock.

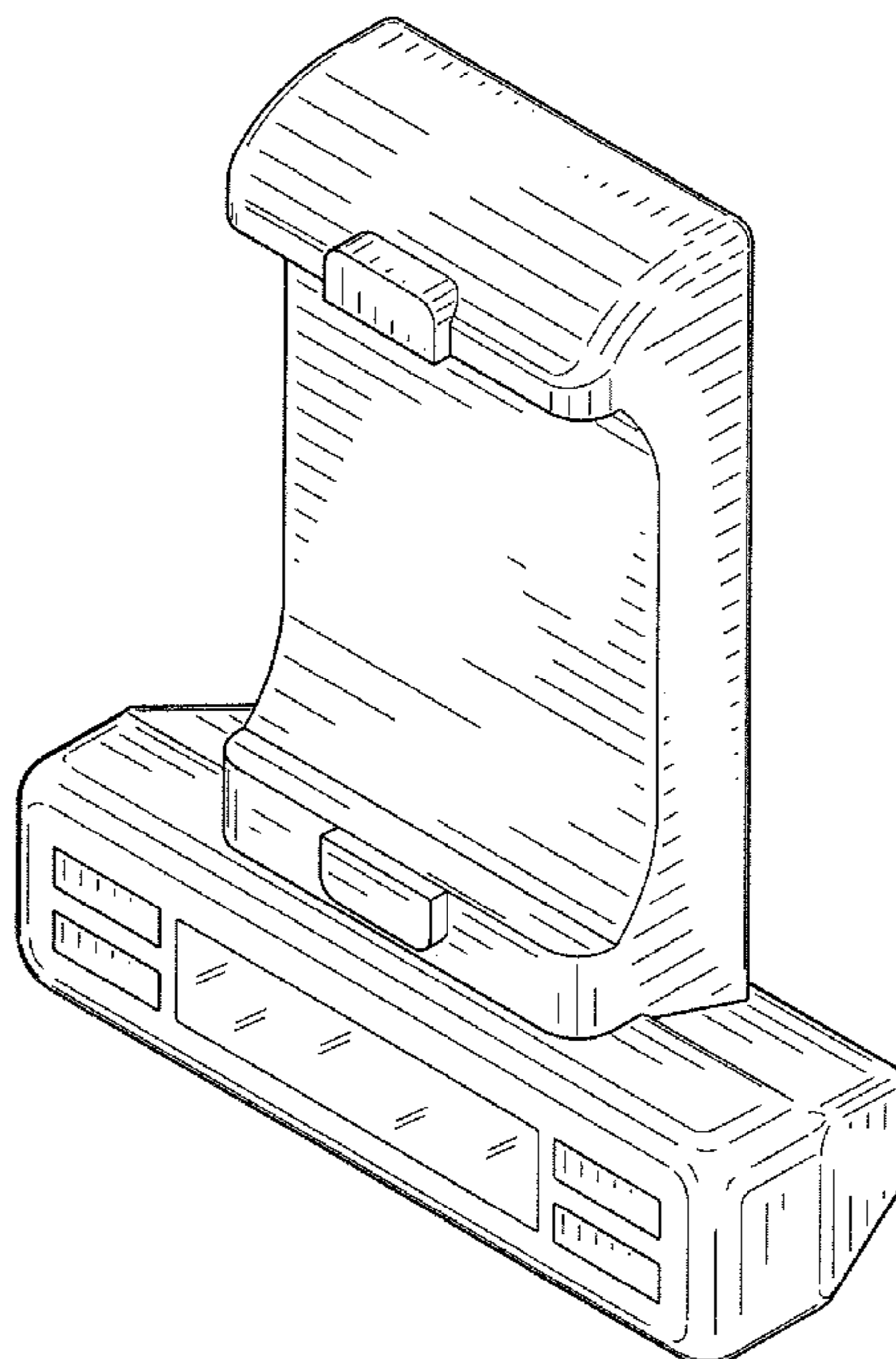
FIG. 6 is a bottom view of the vehicle expansion dock.

FIG. 7 is a back view of the vehicle expansion dock; and,

FIG. 8 is perspective view of the vehicle expansion dock  
showing a preferred environment of the vehicle expansion  
dock.

The broken lines in FIGS. 2 and 4-8 are for environmental  
purposes only and form no part of the claimed design.

**1 Claim, 5 Drawing Sheets**



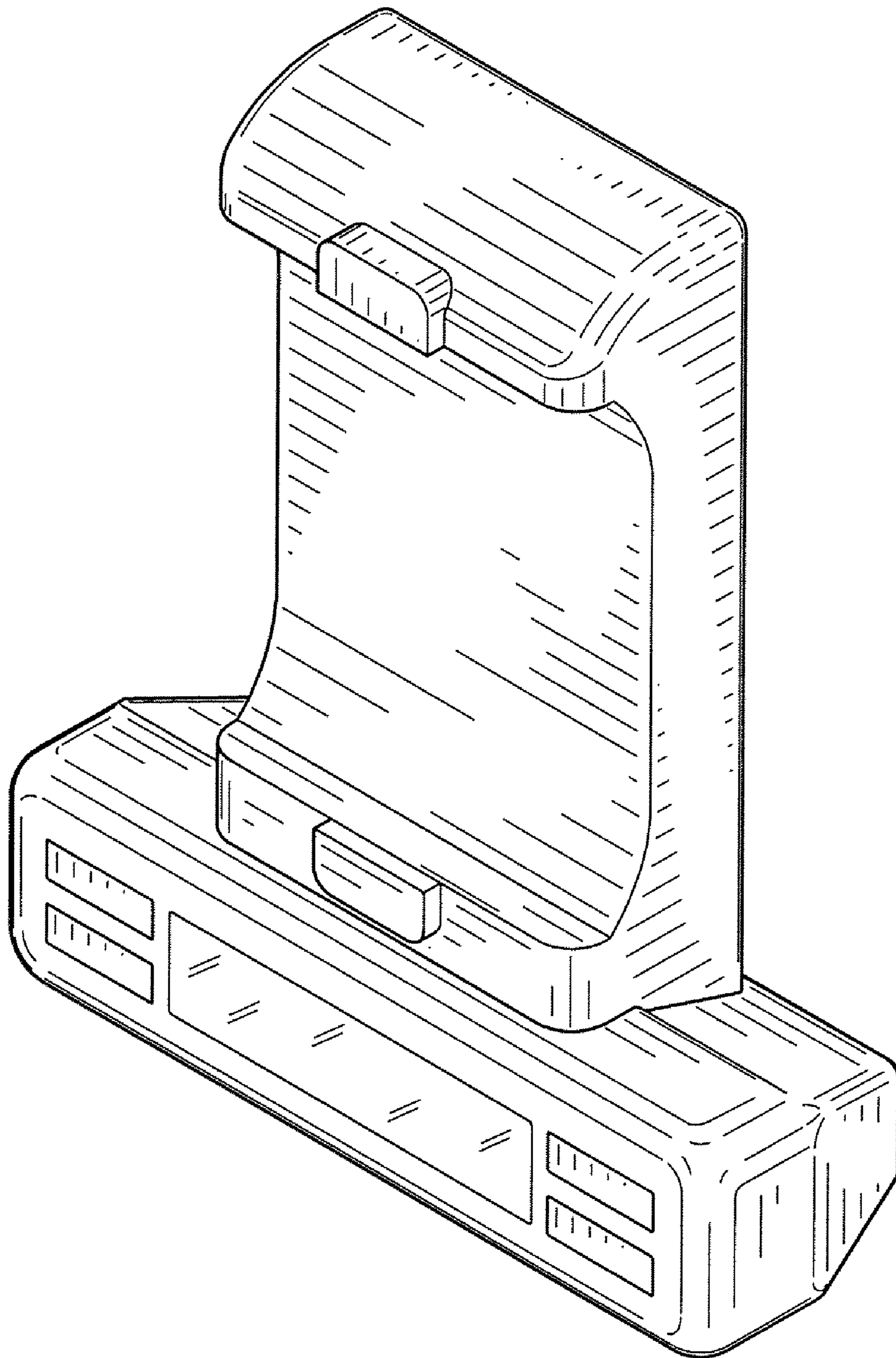


FIG. 1

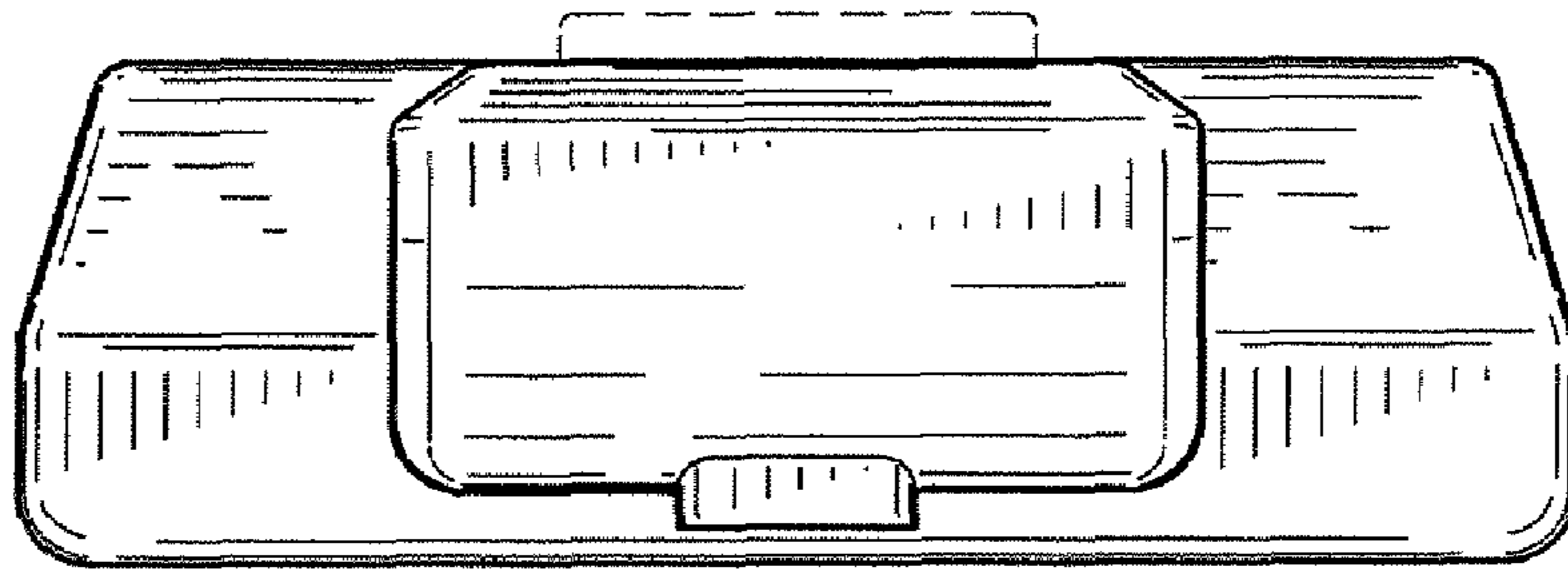


FIG. 2

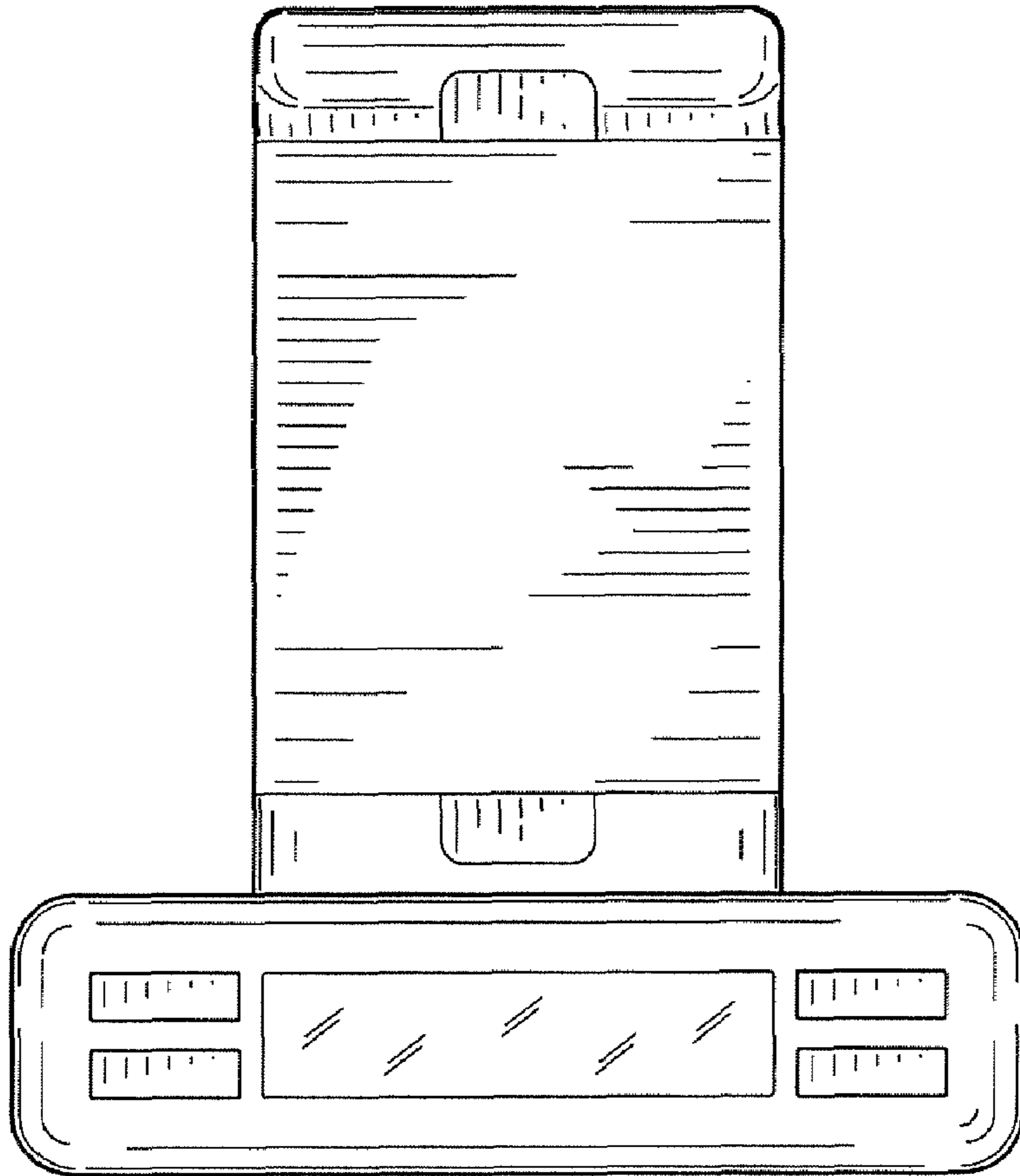


FIG. 3

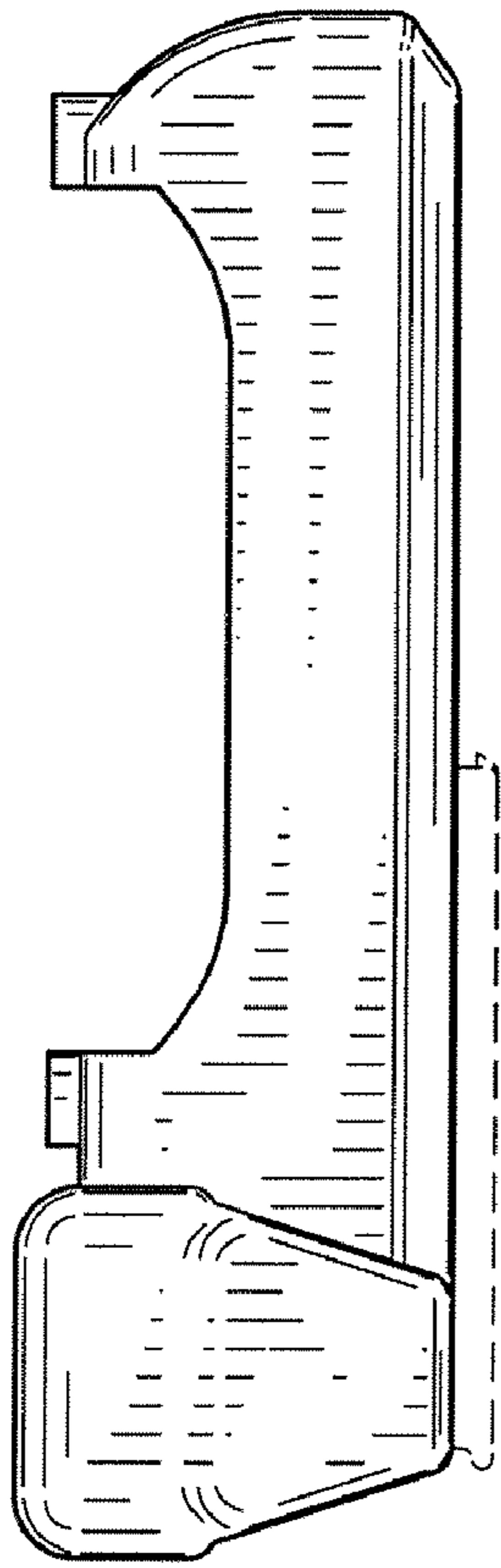


FIG. 4

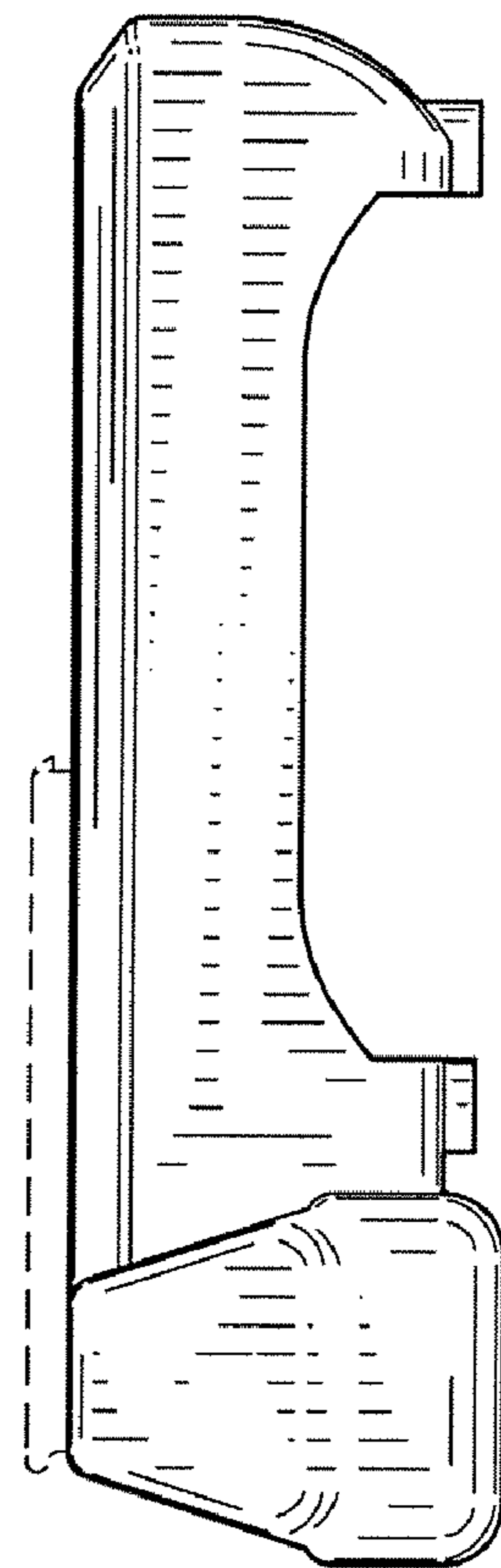


FIG. 5

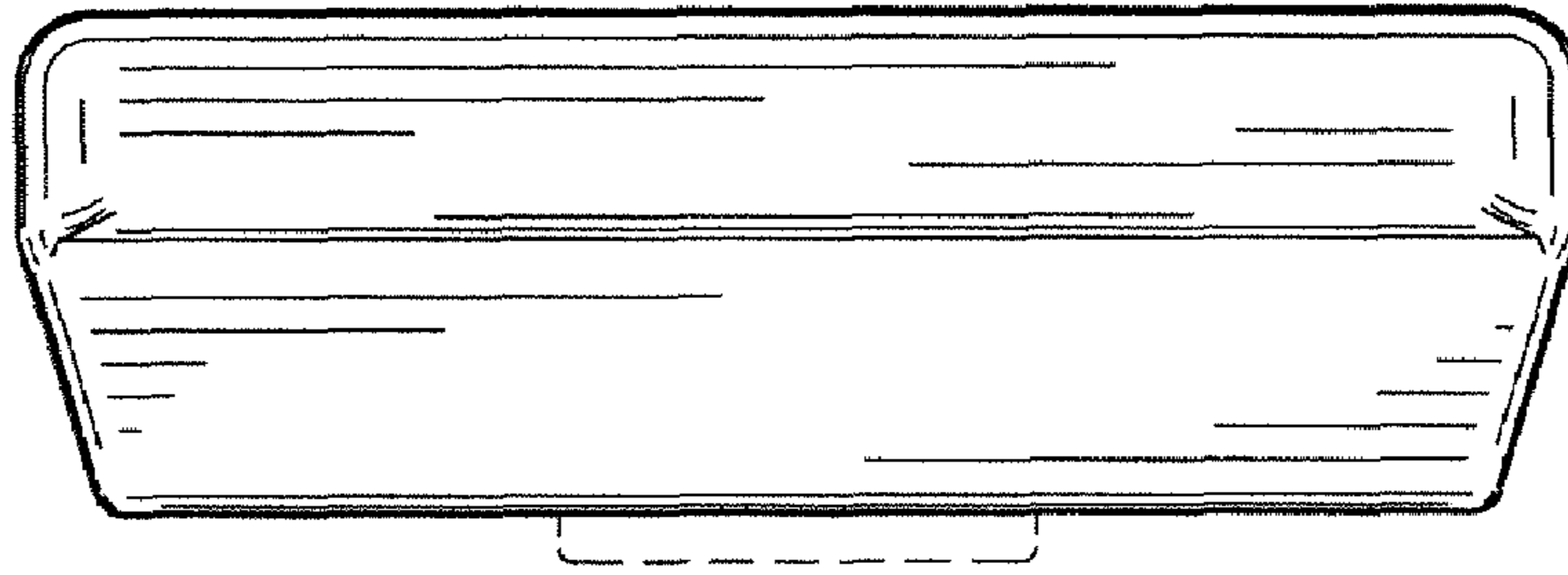


FIG. 6

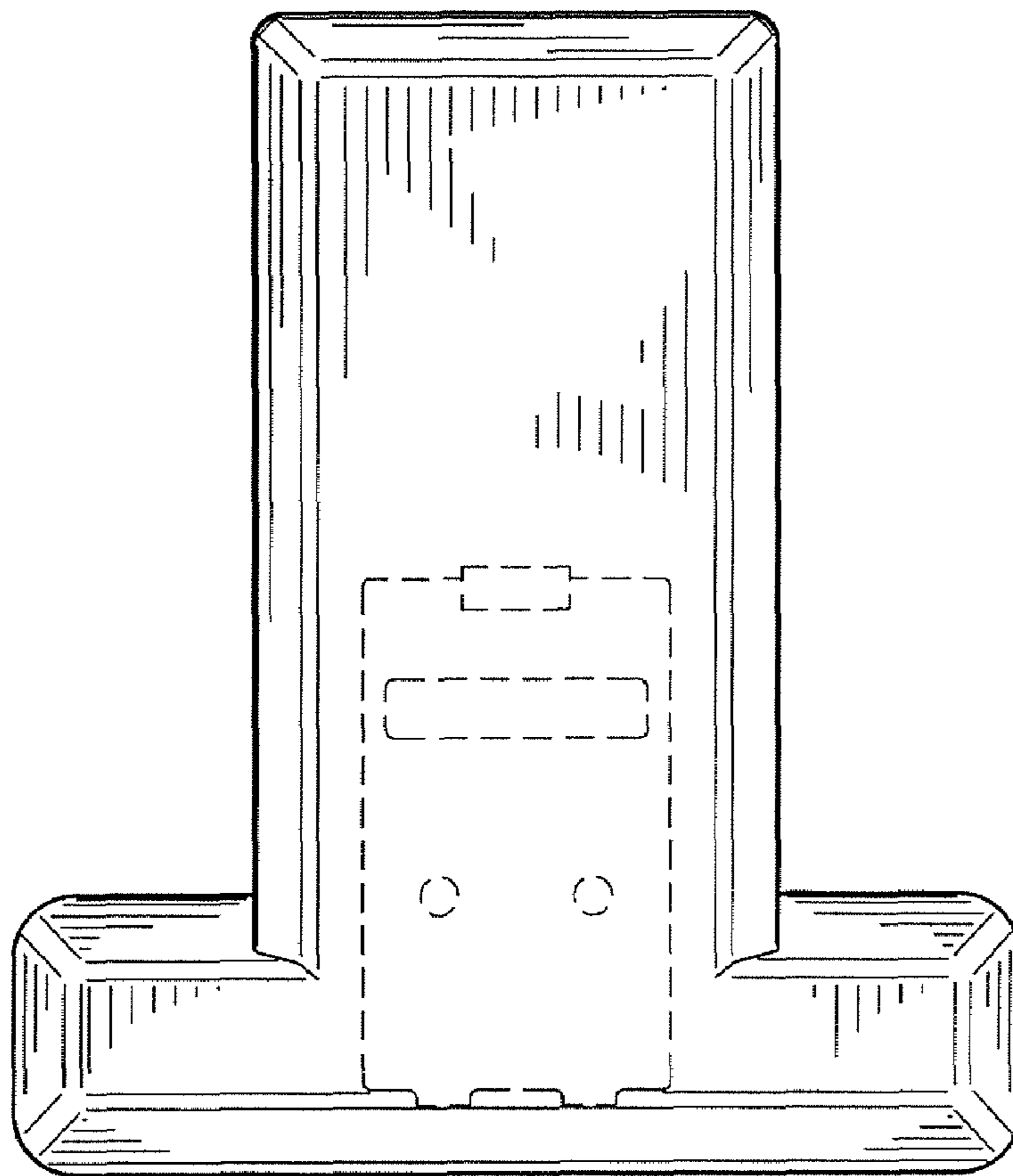


FIG. 7

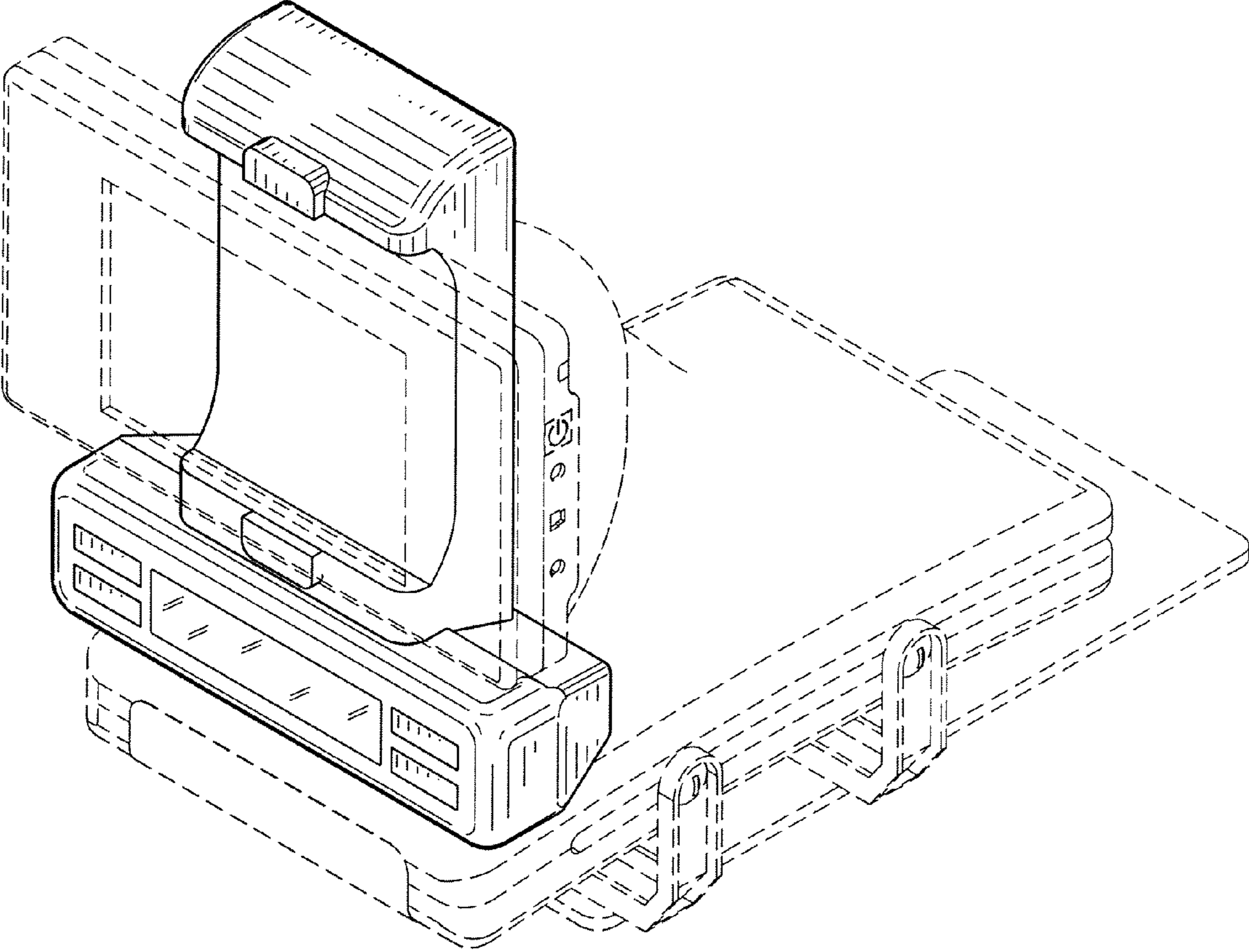


FIG.8