



US00D586339S

(12) **United States Design Patent**
Varsavsky Waisman-Diamond

(10) **Patent No.:** **US D586,339 S**

(45) **Date of Patent:** **** Feb. 10, 2009**

(54) **WIRELESS ROUTER**

(75) Inventor: **Martin Varsavsky Waisman-Diamond**,
London (GB)

(73) Assignee: **Fon Wireless Limited**, London (GB)

(**) Term: **14 Years**

(21) Appl. No.: **29/270,309**

(22) Filed: **Dec. 19, 2006**

(30) **Foreign Application Priority Data**

Nov. 16, 2006 (EM) 000623608

(51) **LOC (9) Cl.** **14-02**

(52) **U.S. Cl.** **D14/240**

(58) **Field of Classification Search** D14/356,
D14/358, 233, 240, 242, 300, 348, 388, 433,
D14/155; D13/184, 137.2, 107, 108, 144;
360/69; 379/220.1, 220.14, 25, 93.09, 93.15,
379/156, 900, 338, 329; 381/124; 607/36;
307/10.1; 439/668

See application file for complete search history.

(56) **References Cited**

U.S. PATENT DOCUMENTS

D363,722 S * 10/1995 Aldridge et al. D14/242
D380,199 S * 6/1997 Beruscha et al. D13/184
D408,823 S * 4/1999 Kirby D14/240

D430,147 S * 8/2000 Willkens et al. D14/240
D489,070 S * 4/2004 Chatterjee D14/433
D490,403 S * 5/2004 Wu et al. D14/240
D506,755 S * 6/2005 Chen et al. D14/349
D518,451 S * 4/2006 Nussberger et al. D13/184
D529,903 S * 10/2006 McRae et al. D14/240
D530,709 S * 10/2006 Bang et al. D14/240
D535,650 S * 1/2007 Wong et al. D14/240
D535,651 S * 1/2007 Wong et al. D14/240
D538,795 S * 3/2007 Wong et al. D14/240
D540,793 S * 4/2007 Kim et al. D14/358

* cited by examiner

Primary Examiner—Charles A Rademaker

(74) *Attorney, Agent, or Firm*—Merchant & Gould P.C.

(57) **CLAIM**

The ornamental design for wireless router, as shown and described.

DESCRIPTION

FIG. 1 is a front perspective view of a wireless router showing my new design;

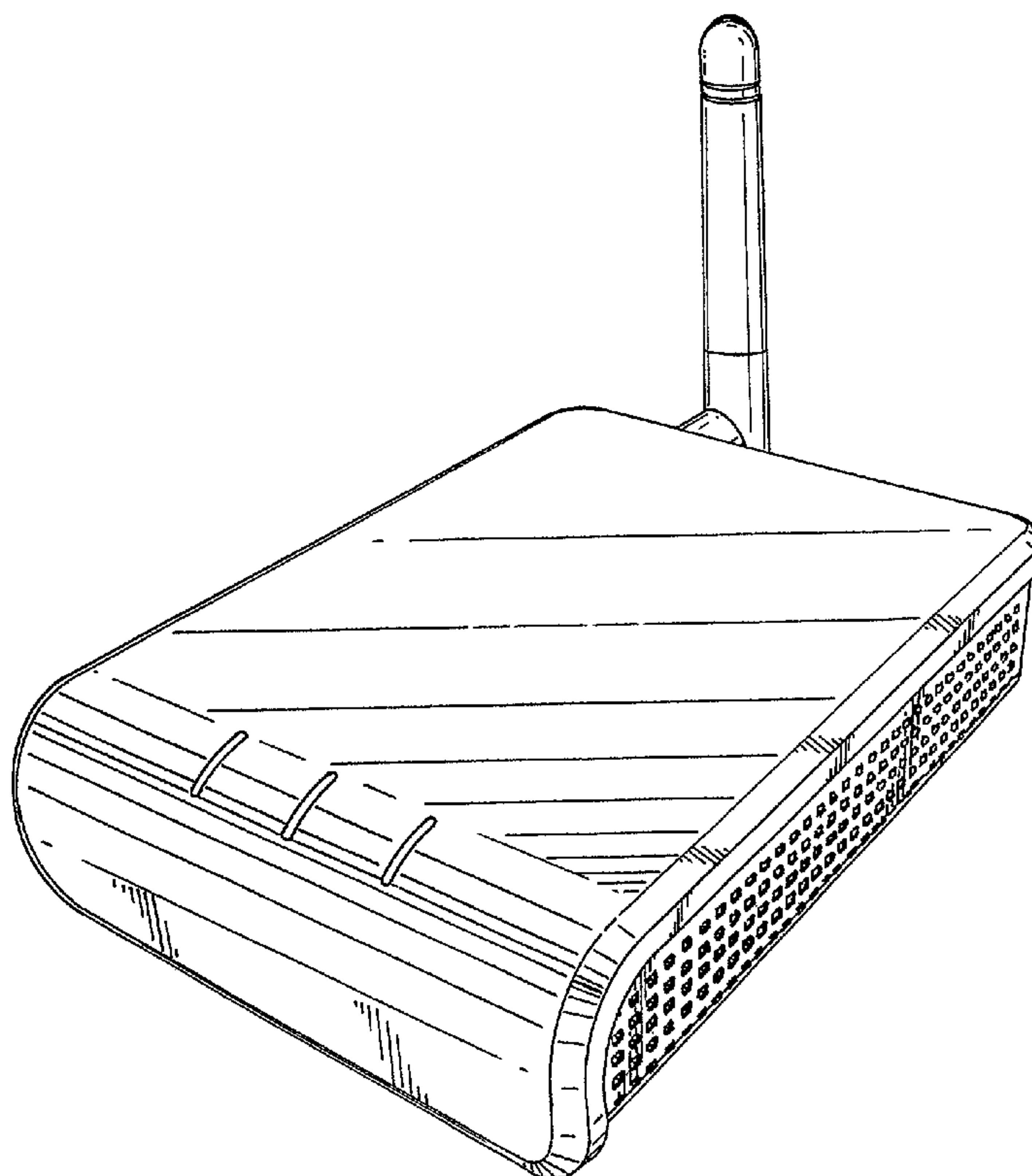
FIG. 2 is a right side elevational view;

FIG. 3 is a bottom plan view;

FIG. 4 is a front and top perspective view; and,

FIG. 5 is a left and rear perspective view.

1 Claim, 5 Drawing Sheets



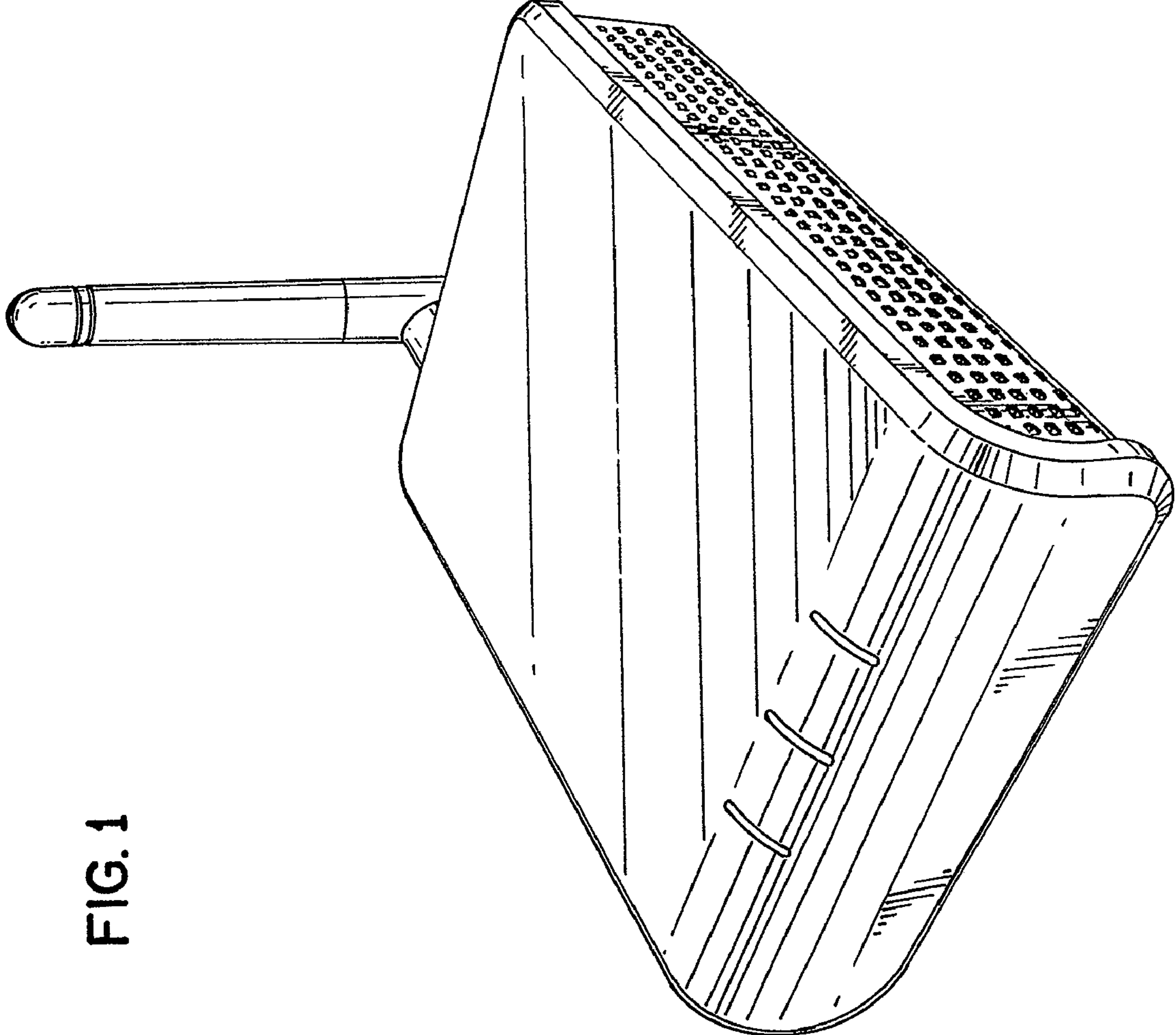


FIG. 1

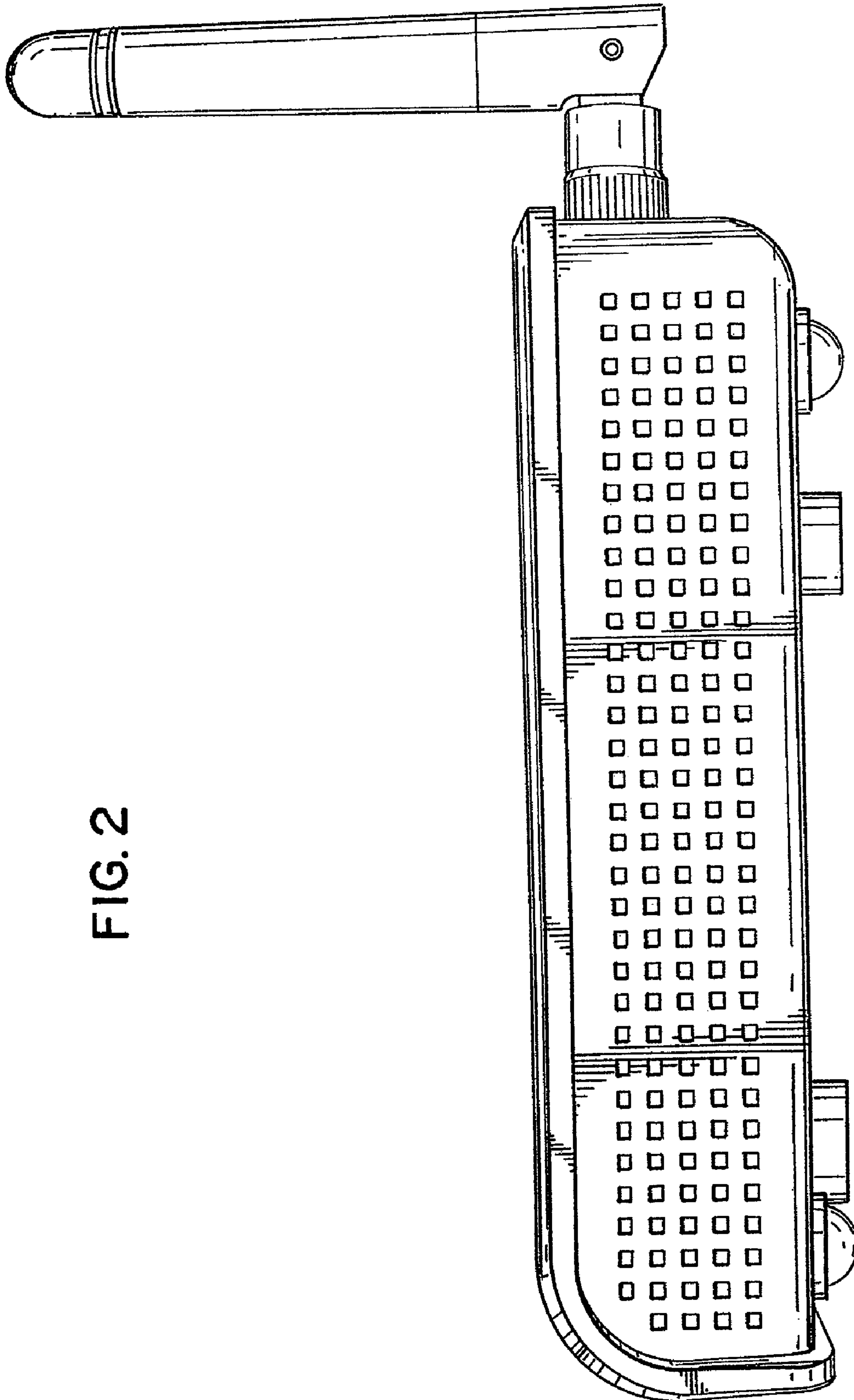


FIG. 2

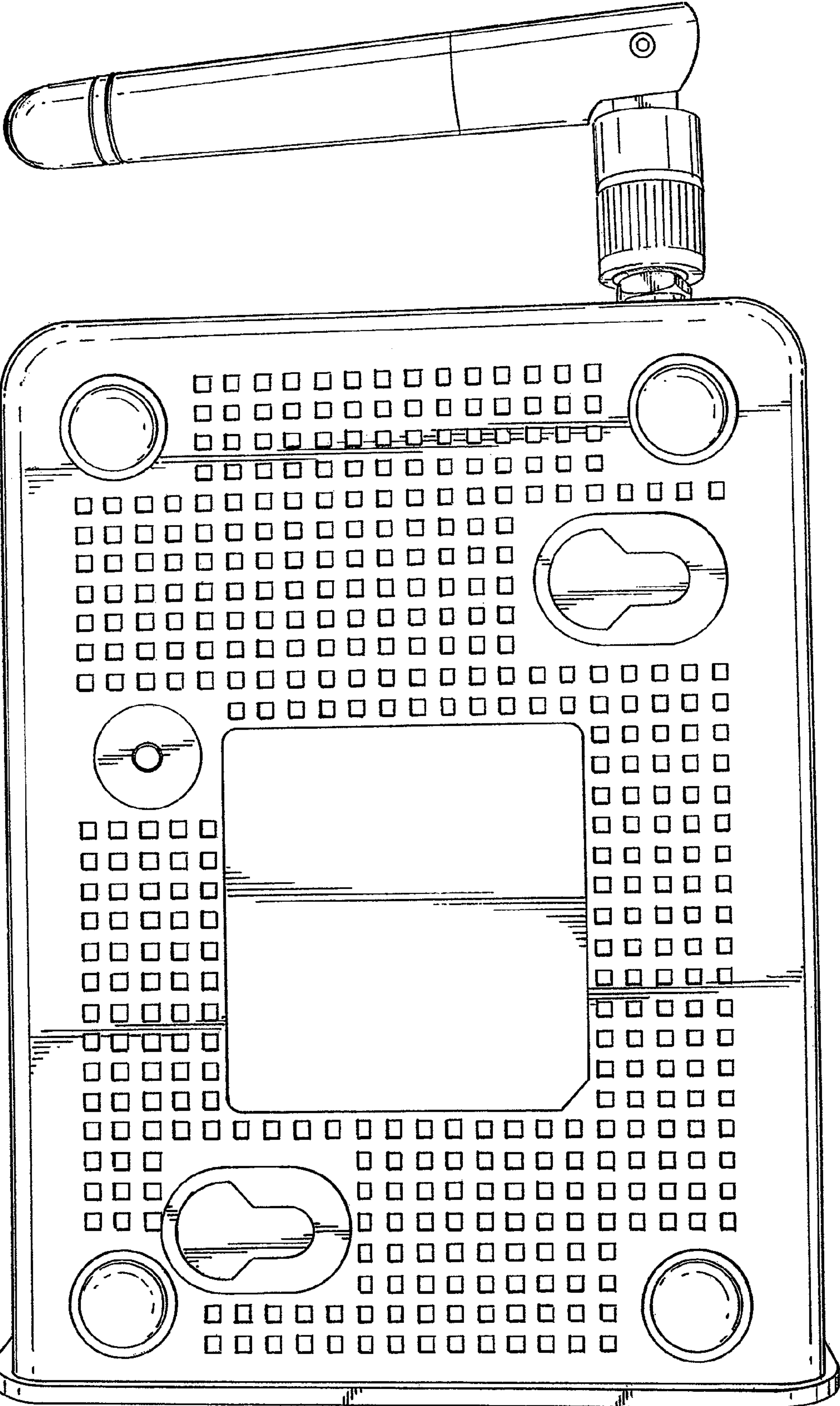


FIG. 3

FIG. 4

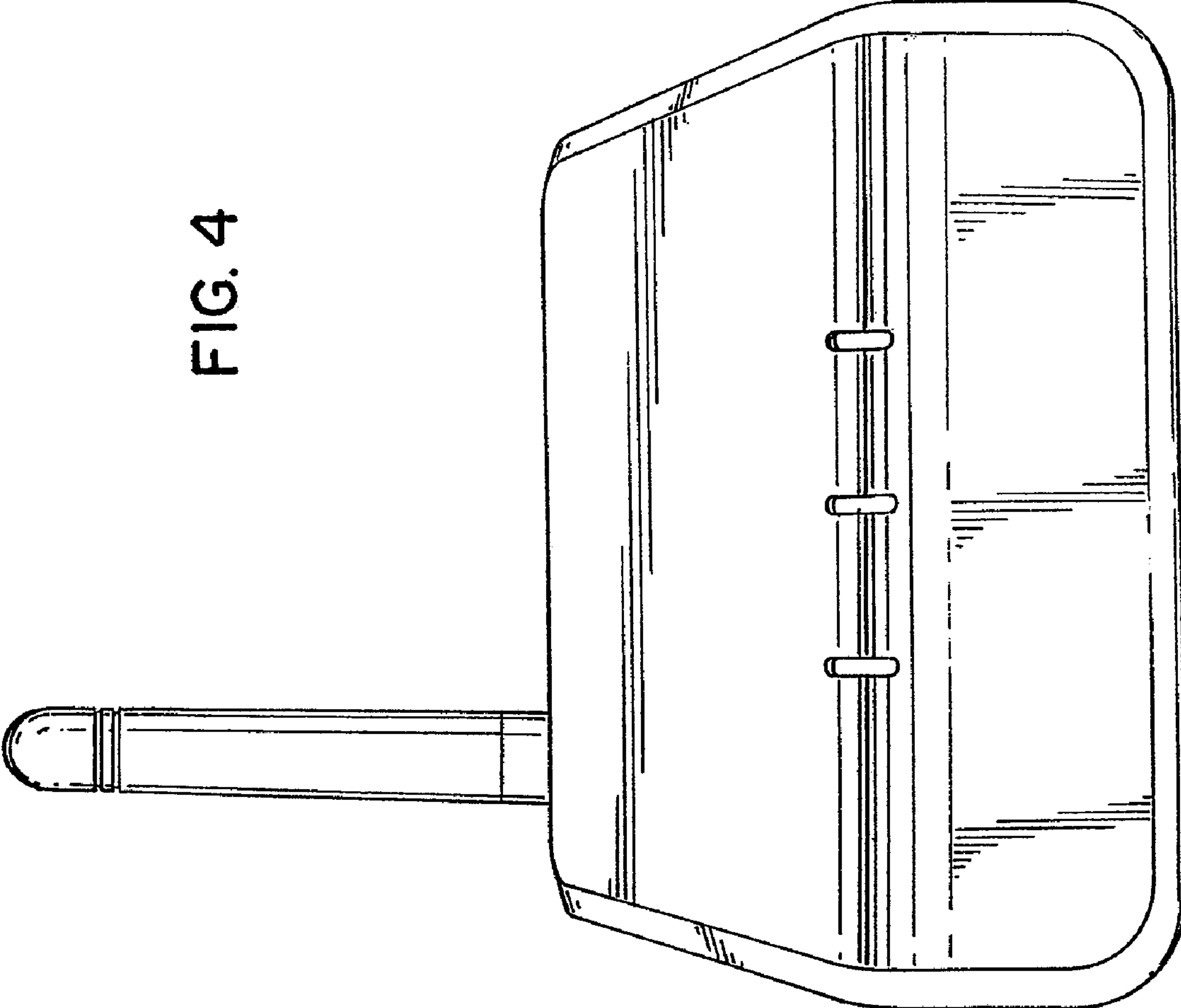


FIG. 5

