



US00D586338S

(12) **United States Design Patent**
Stenhouse et al.

(10) **Patent No.:** **US D586,338 S**

(45) **Date of Patent:** **** Feb. 10, 2009**

(54) **EXTRA-LARGE LOW PROFILE TILTABLE MOUNT FOR FLAT PANEL DISPLAY**

(75) Inventors: **Brett Stenhouse**, Phoenix, AZ (US); **Dave Anderson**, Mesa, AZ (US); **Flavio Ly Hau**, Maricopa, AZ (US); **Zach Eyman**, Phoenix, AZ (US); **Tom Muday**, Scottsdale, AZ (US); **Don Westgaard**, Cave Creek, AZ (US)

(73) Assignee: **Omnimount Systems, Inc.**, Phoenix, AZ (US)

(**) Term: **14 Years**

(21) Appl. No.: **29/281,106**

(22) Filed: **Jun. 14, 2007**

(51) **LOC (9) Cl.** **14-03**

(52) **U.S. Cl.** **D14/239; D14/451**

(58) **Field of Classification Search** D14/448, D14/450, 451, 452, 439, 447, 432, 371, 373, D14/374, 375, 127, 217, 239; D8/363, 380, D8/373; 248/133, 139, 398, 371, 176.1, 248/274.1, 284.1, 313, 346.03, 917, 918, 248/919, 920, 921, 922, 923, 924, 201, 205.1, 248/220.21, 223.31, 276.1, 281.11, 286.1, 248/309.1, 323, 324, 349.1, 425; 348/825
See application file for complete search history.

(56) **References Cited**

U.S. PATENT DOCUMENTS

- D538,140 S * 3/2007 Ly Hau et al. D8/373
- D538,141 S * 3/2007 Stenhouse et al. D8/373
- D538,632 S * 3/2007 Ly Hau et al. D8/363
- D539,126 S * 3/2007 Stenhouse et al. D8/373

- D539,636 S * 4/2007 Bremmon D8/363
- D539,637 S * 4/2007 Ly Hau et al. D8/373
- D540,154 S * 4/2007 Bremmon D8/363
- D553,125 S * 10/2007 Ly Hau et al. D14/239
- D560,670 S * 1/2008 Anderson et al. D14/451
- D560,671 S * 1/2008 Muday et al. D14/451
- D563,416 S * 3/2008 Bremmon D14/452
- D565,054 S * 3/2008 Anderson et al. D14/452

* cited by examiner

Primary Examiner—Jennifer Rivard

Assistant Examiner—Angela J Lee

(74) *Attorney, Agent, or Firm*—Hogan & Hartson LLP

(57) **CLAIM**

The ornamental design for extra-large low profile tiltable mount for flat panel display, substantially as shown and described.

DESCRIPTION

FIG. 1 is a top, left isometric view of an extra-large low profile tiltable mount for flat panel display.

FIG. 2 is a left side view thereof.

FIG. 3 is a top, elevational view thereof.

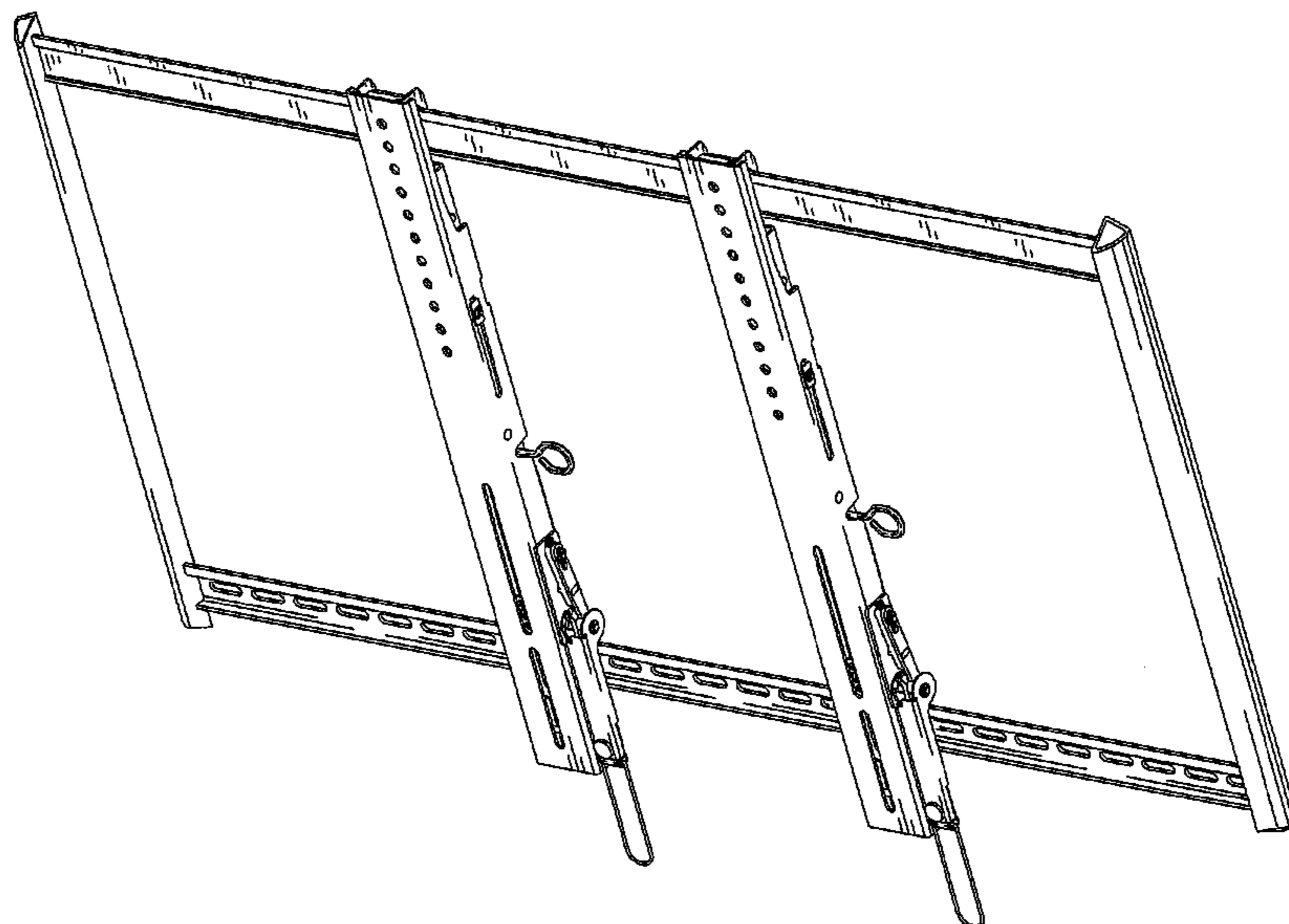
FIG. 4 is a rear elevational view thereof.

FIG. 5 is a front elevational view thereof; and,

FIG. 6 is a bottom elevational view thereof.

The following features are shown in the drawings in broken line and form no part of the claimed design: four small features protruding from the right sides and one small feature protruding from the left sides of the central brackets of FIG. 4 and those same features in FIG. 5.

1 Claim, 6 Drawing Sheets



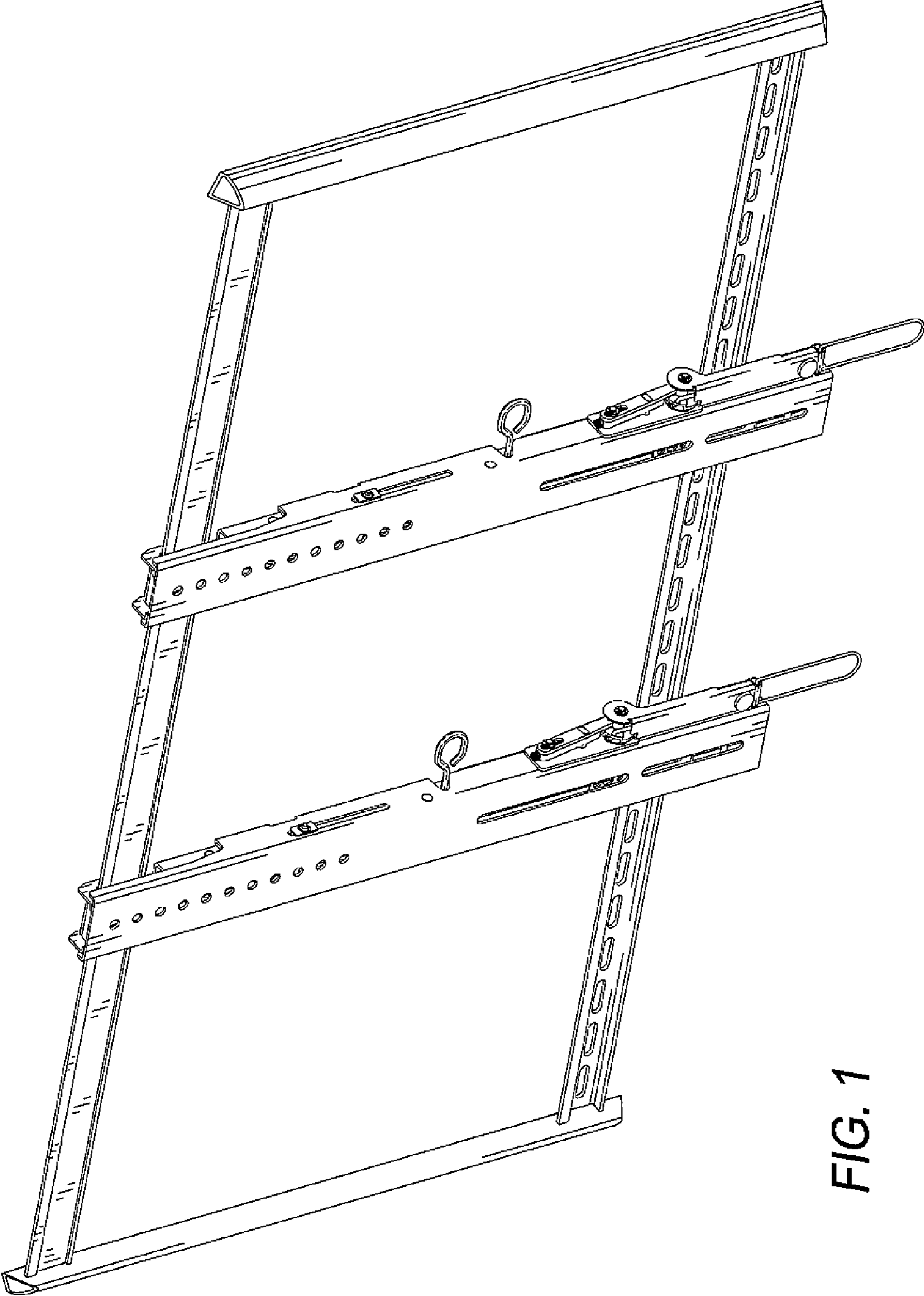


FIG. 1



FIG. 2

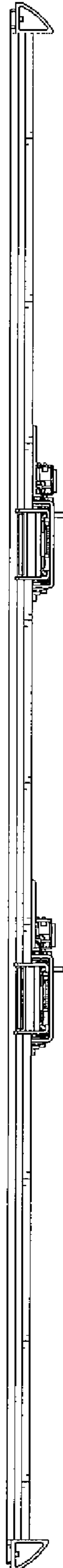


FIG. 3

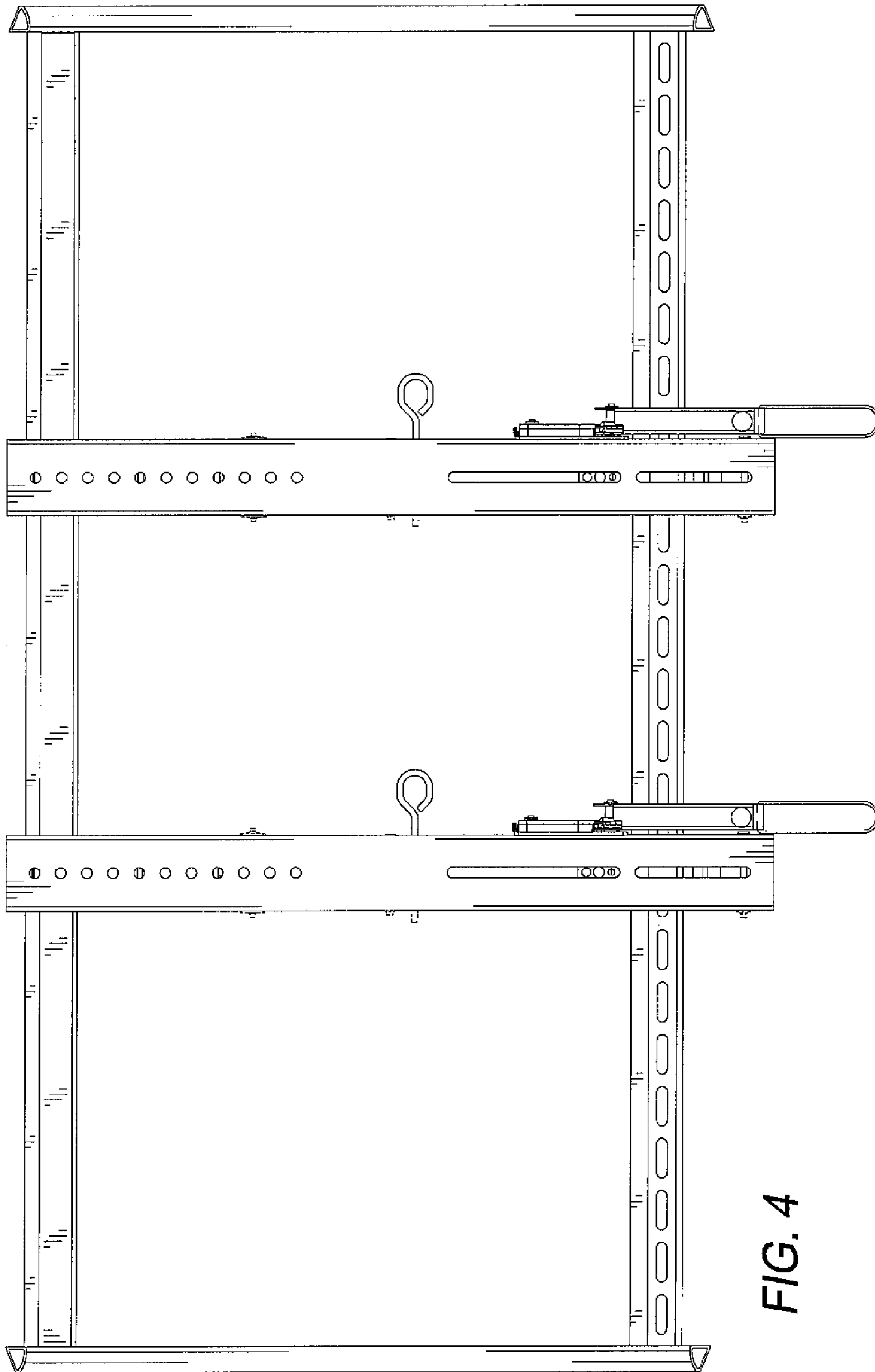


FIG. 4

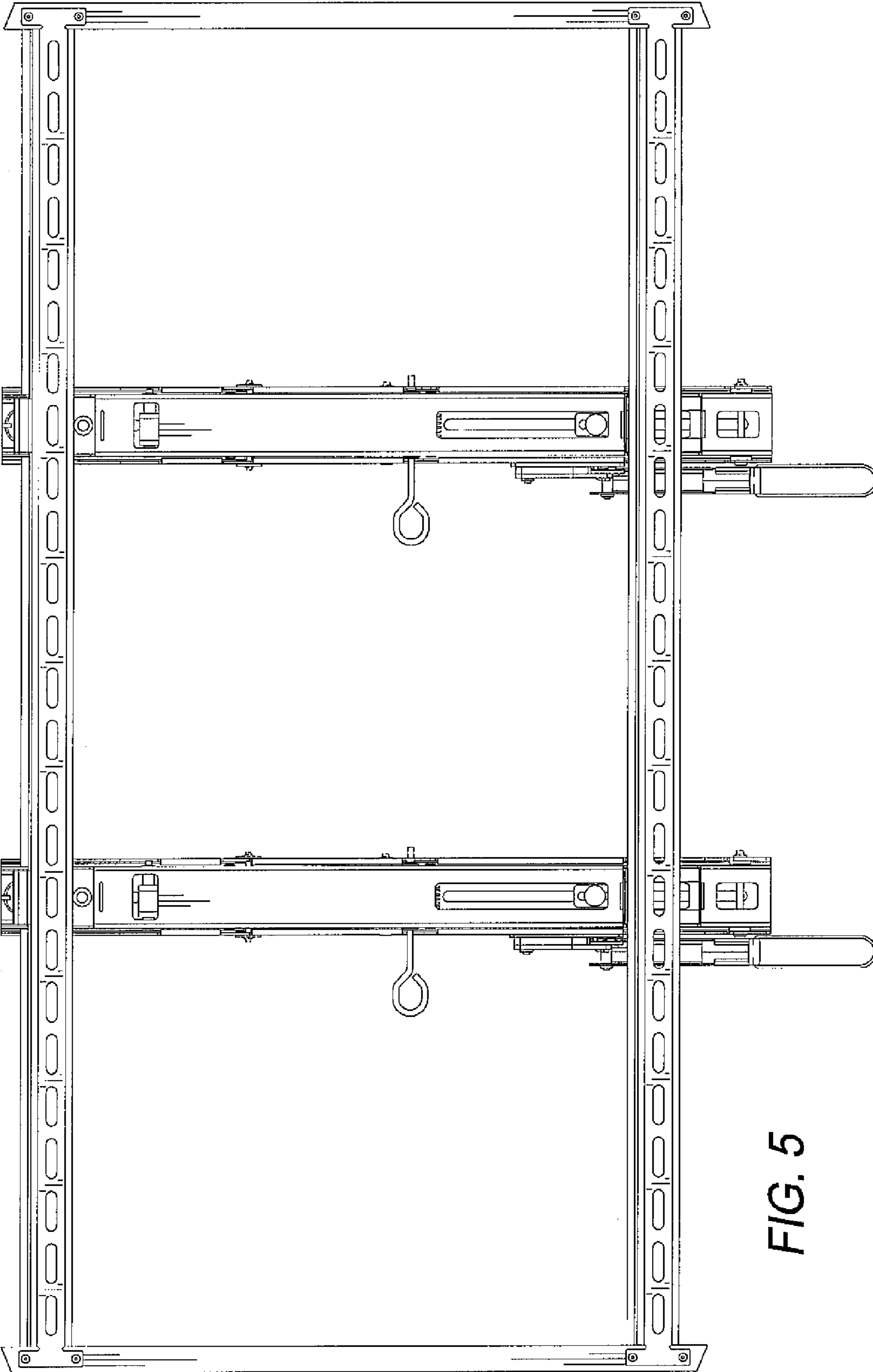


FIG. 5

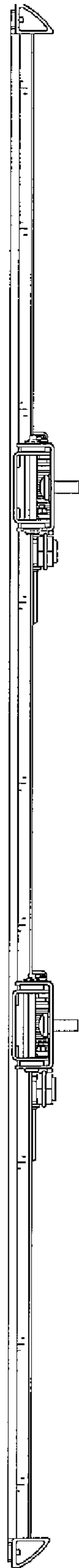


FIG. 6