



US00D586335S

(12) **United States Design Patent**  
**Wise et al.**

(10) **Patent No.:** **US D586,335 S**  
(45) **Date of Patent:** **\*\* Feb. 10, 2009**

(54) **SNOWFLAKE MICROPHONE**

(57) **CLAIM**

(75) Inventors: **Bernard Wise**, Agoura, CA (US); **Todd Metlen**, Ojai, CA (US); **Eli Gregory Probst**, Thousand Oaks, CA (US)

The ornamental design for a snowflake microphone, as shown and described.

(73) Assignee: **Baltic Latvian Universal Electronics**, Westlake Village, CA (US)

**DESCRIPTION**

(\*\*) Term: **14 Years**

FIG. 1 is a perspective view of a snowflake microphone showing our new design;

(21) Appl. No.: **29/292,261**

FIG. 2 is a perspective view thereof, shown without the base;

(22) Filed: **Oct. 4, 2007**

FIG. 3 is a top plan view of FIG. 2;

(51) **LOC (9) Cl.** ..... **14-01**

FIG. 4 is a side view of FIG. 2;

(52) **U.S. Cl.** ..... **D14/225**

FIG. 5 is a back view of FIG. 2;

(58) **Field of Classification Search** ..... D14/225,  
D14/206, 226–229, 238, 299; 181/158, 173;  
381/91, 94.1, 95, 110, 112, 116, 189, 355,  
381/356, 361, 366, 430

FIG. 6 is a bottom plan view of FIG. 2;

See application file for complete search history.

FIG. 7 is a front view of FIG. 2;

FIG. 8 is a perspective view of FIG. 2, shown in an open condition;

(56) **References Cited**

FIG. 9 is a top plan view of FIG. 8;

**U.S. PATENT DOCUMENTS**

FIG. 10 is a side view of FIG. 8;

- 2,224,974 A \* 12/1940 Lybarger ..... 381/180
- 2,623,957 A \* 12/1952 Cragg et al. .... 181/242
- D195,961 S \* 8/1963 Conn et al. .... D14/225
- D352,039 S \* 11/1994 Yurkonis et al. .... D14/225
- D356,571 S \* 3/1995 Garmon et al. .... D14/225
- D433,013 S \* 10/2000 Yuyama et al. .... D14/227
- D481,709 S \* 11/2003 Solderits ..... D14/228
- D523,002 S \* 6/2006 Song ..... D14/225

FIG. 11 is a front view of FIG. 8;

FIG. 12 is a bottom plan view of FIG. 8;

FIG. 13 is a back view of FIG. 8;

FIG. 14 is a perspective view of the snowflake microphone base;

FIG. 15 is a top plan view of FIG. 14;

FIG. 16 is a side view of FIG. 14;

FIG. 17 is a back view of FIG. 14;

FIG. 18 is a bottom plan view of FIG. 14; and,

FIG. 19 is a front view of FIG. 14.

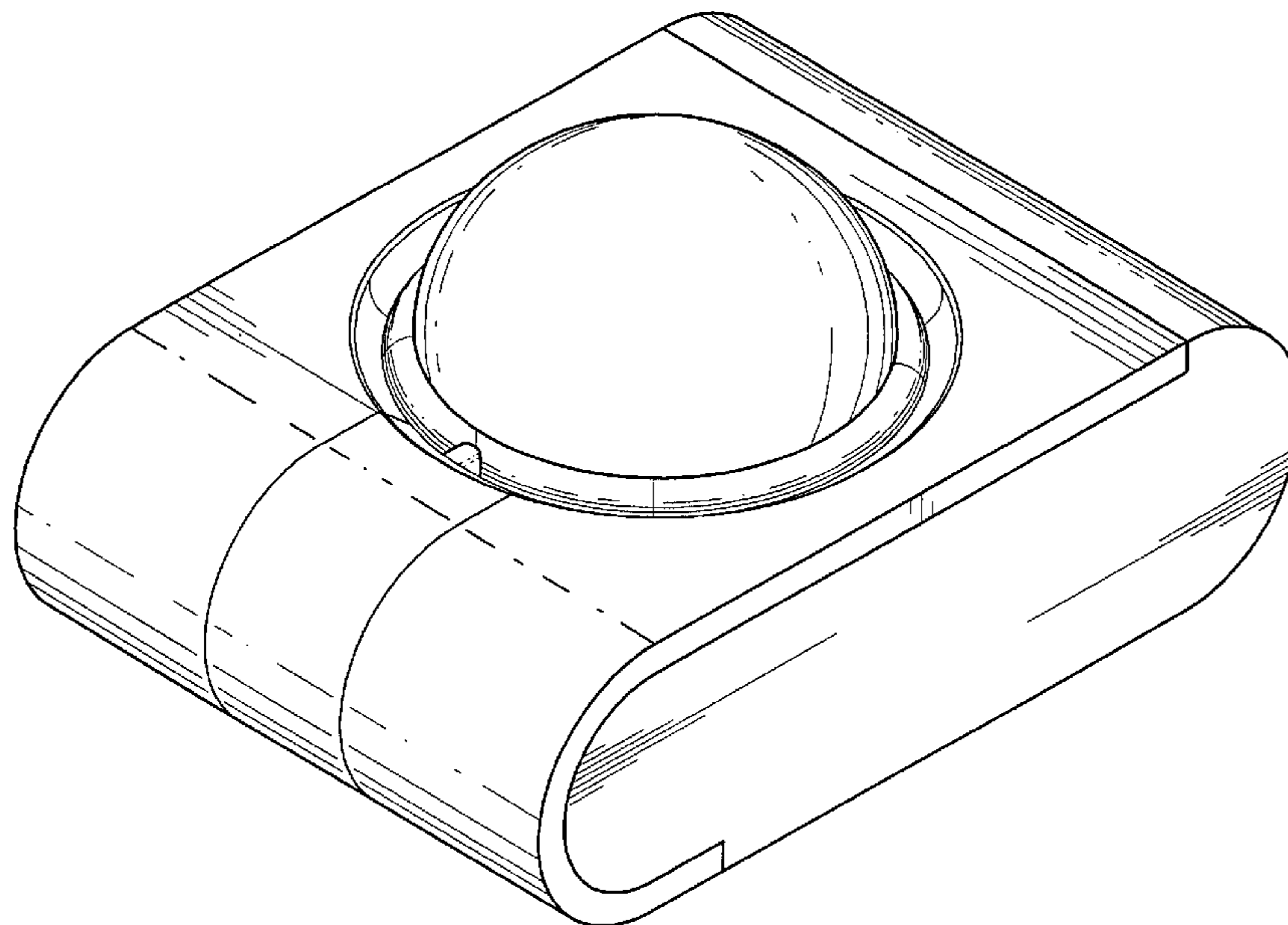
\* cited by examiner

*Primary Examiner*—Prabhakar Deshmukh

*Assistant Examiner*—Derrick Holland

(74) *Attorney, Agent, or Firm*—Philip T. Virga

**1 Claim, 13 Drawing Sheets**



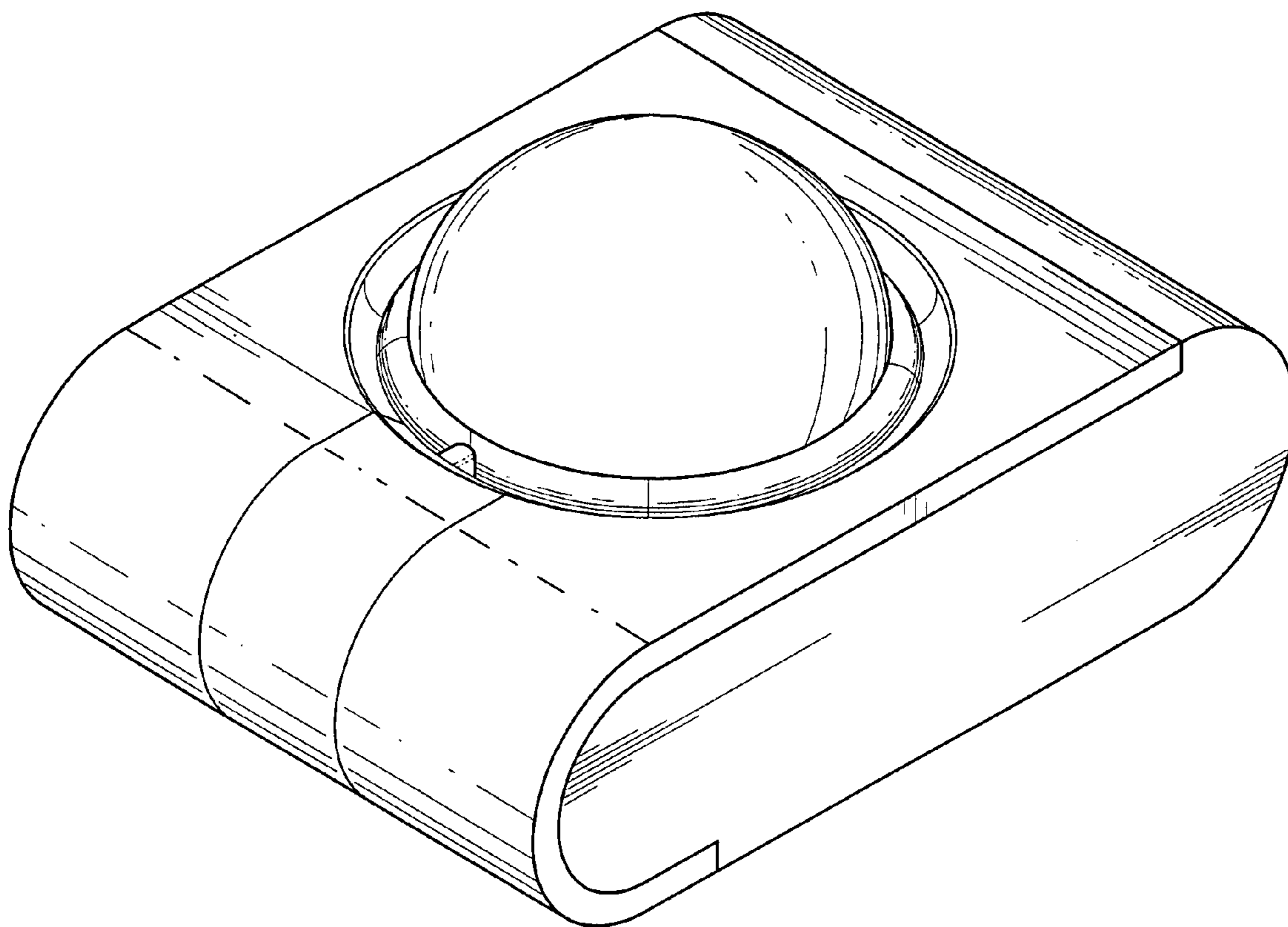


FIG. 1

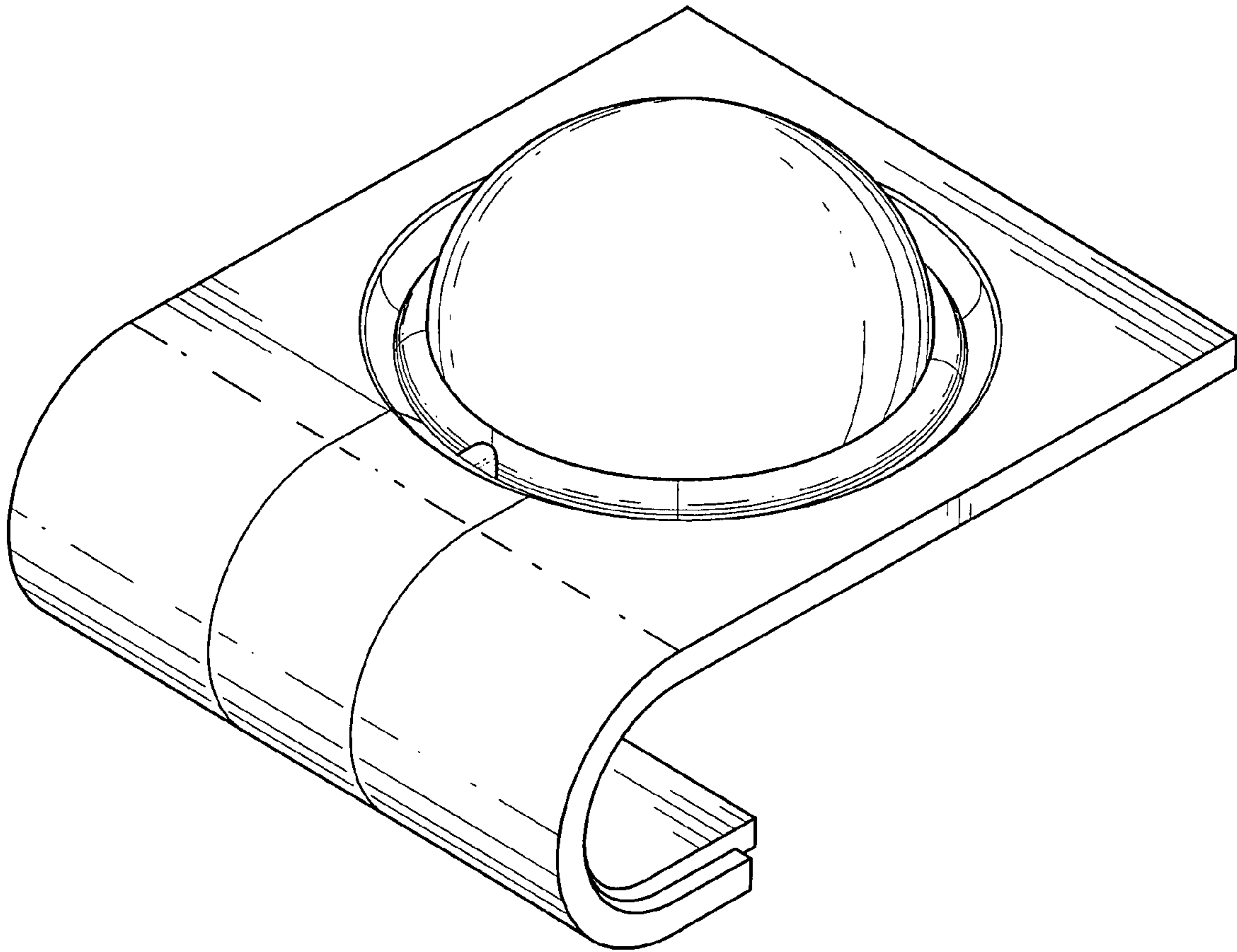


FIG. 2

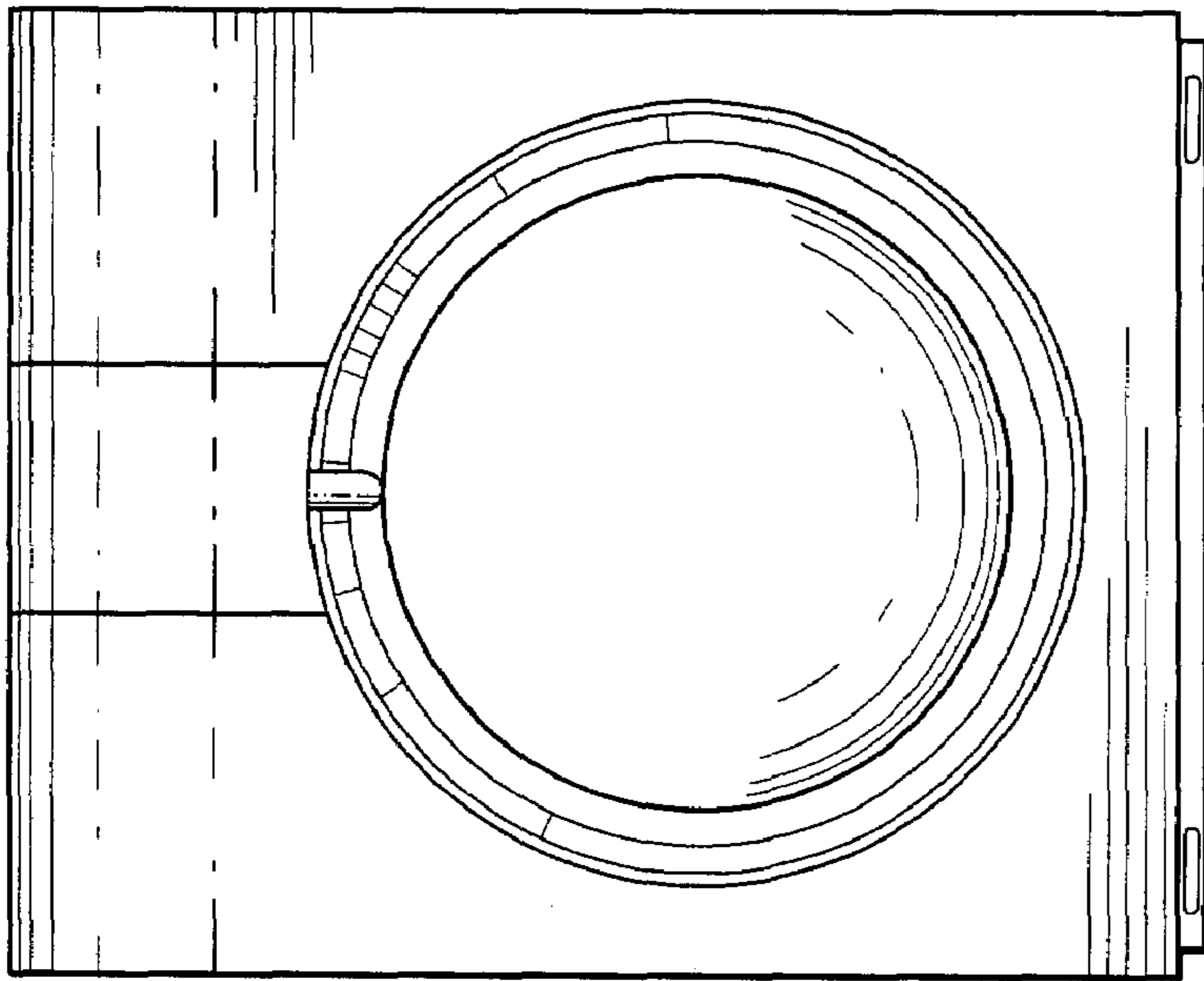


FIG. 3

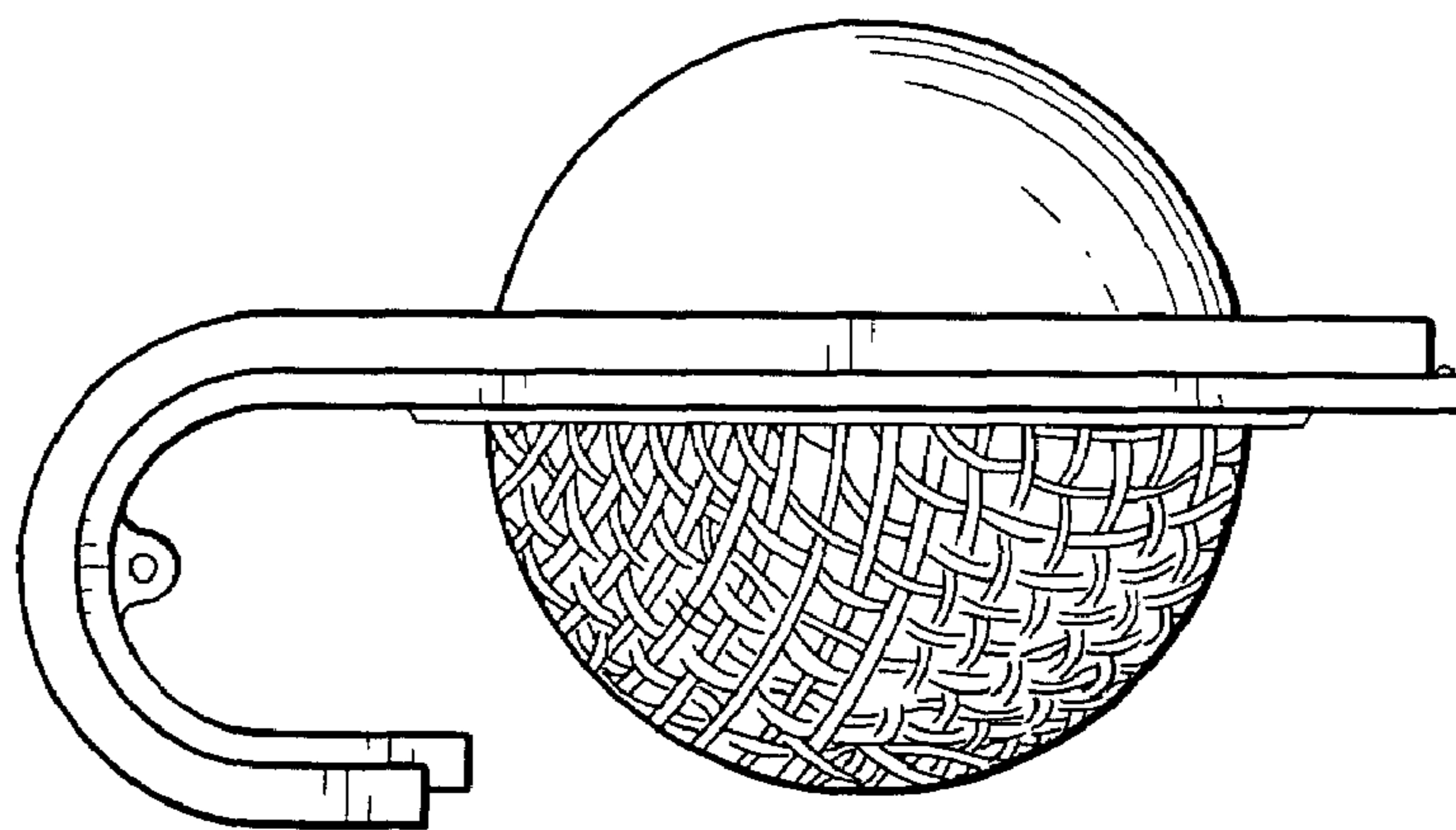


FIG. 4

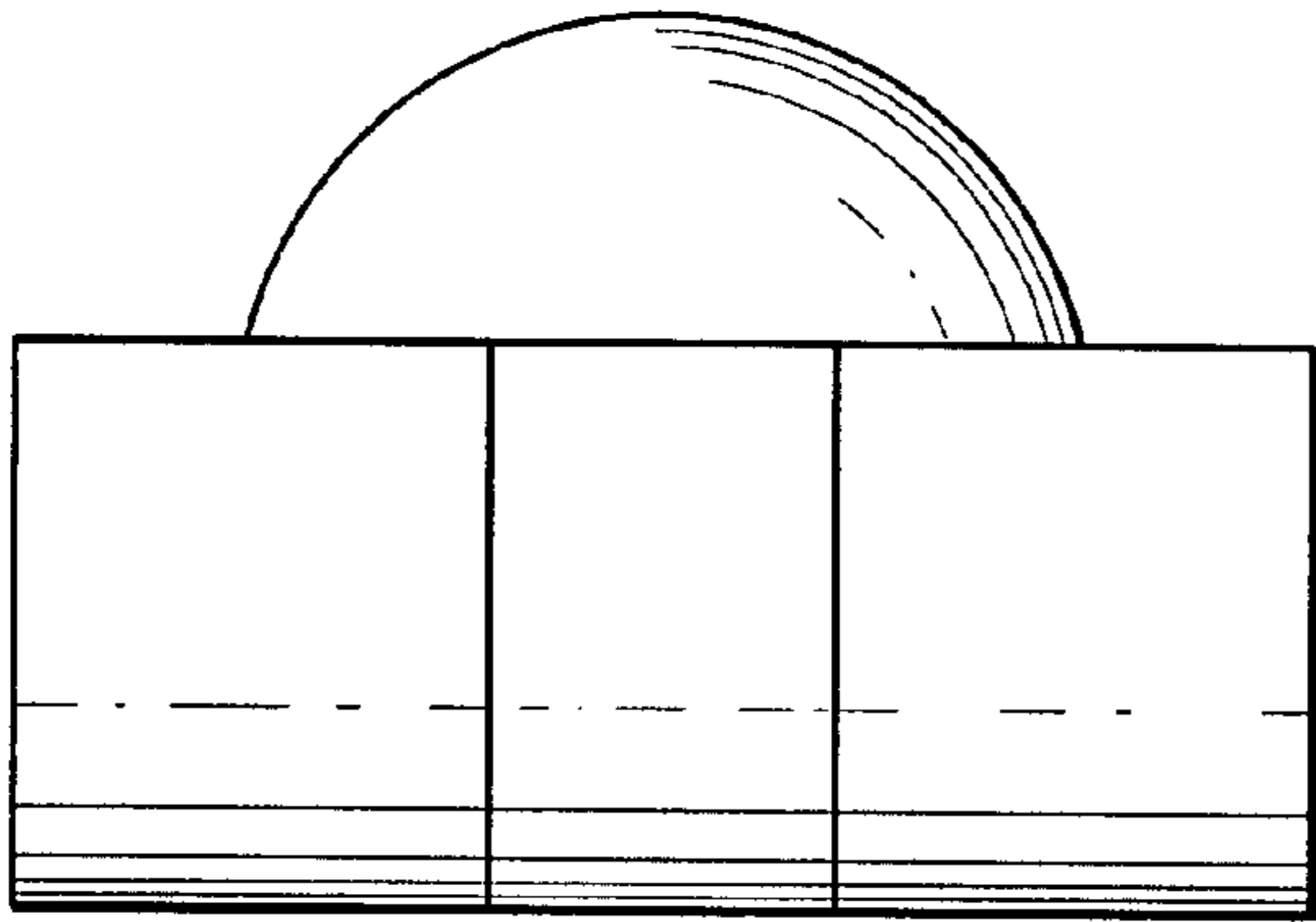


FIG. 5

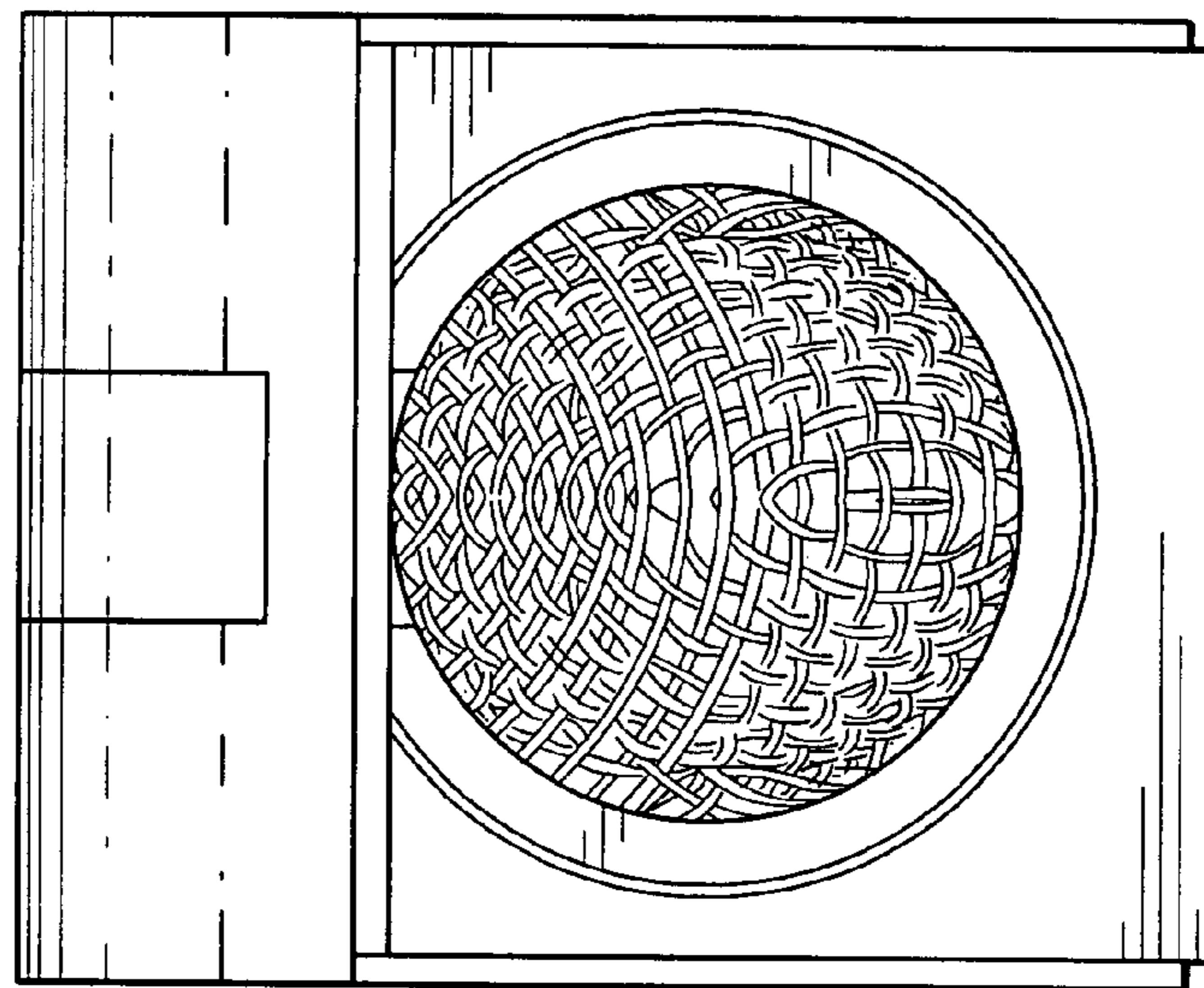
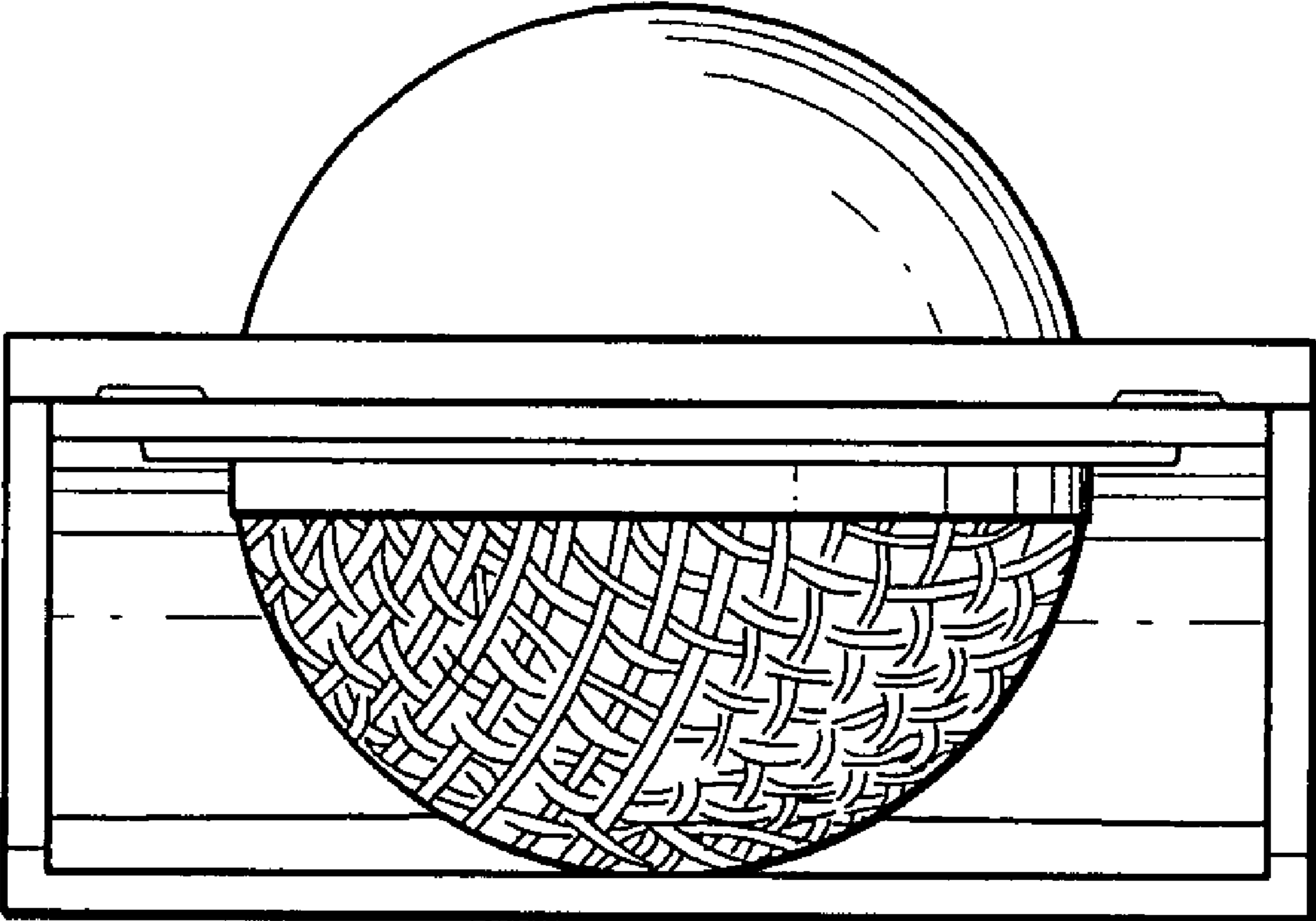


FIG. 6



*FIG. 7*

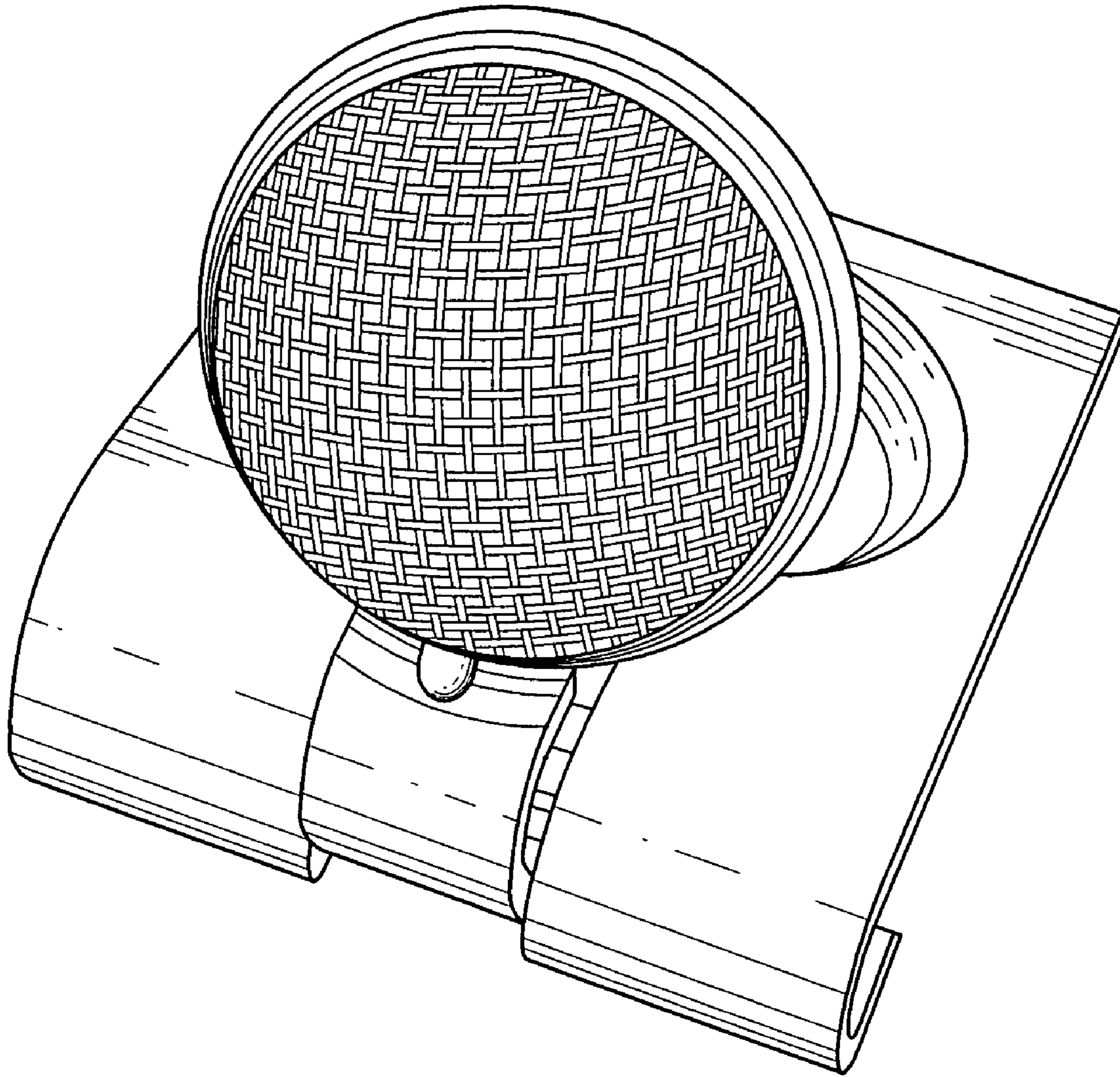


FIG. 8

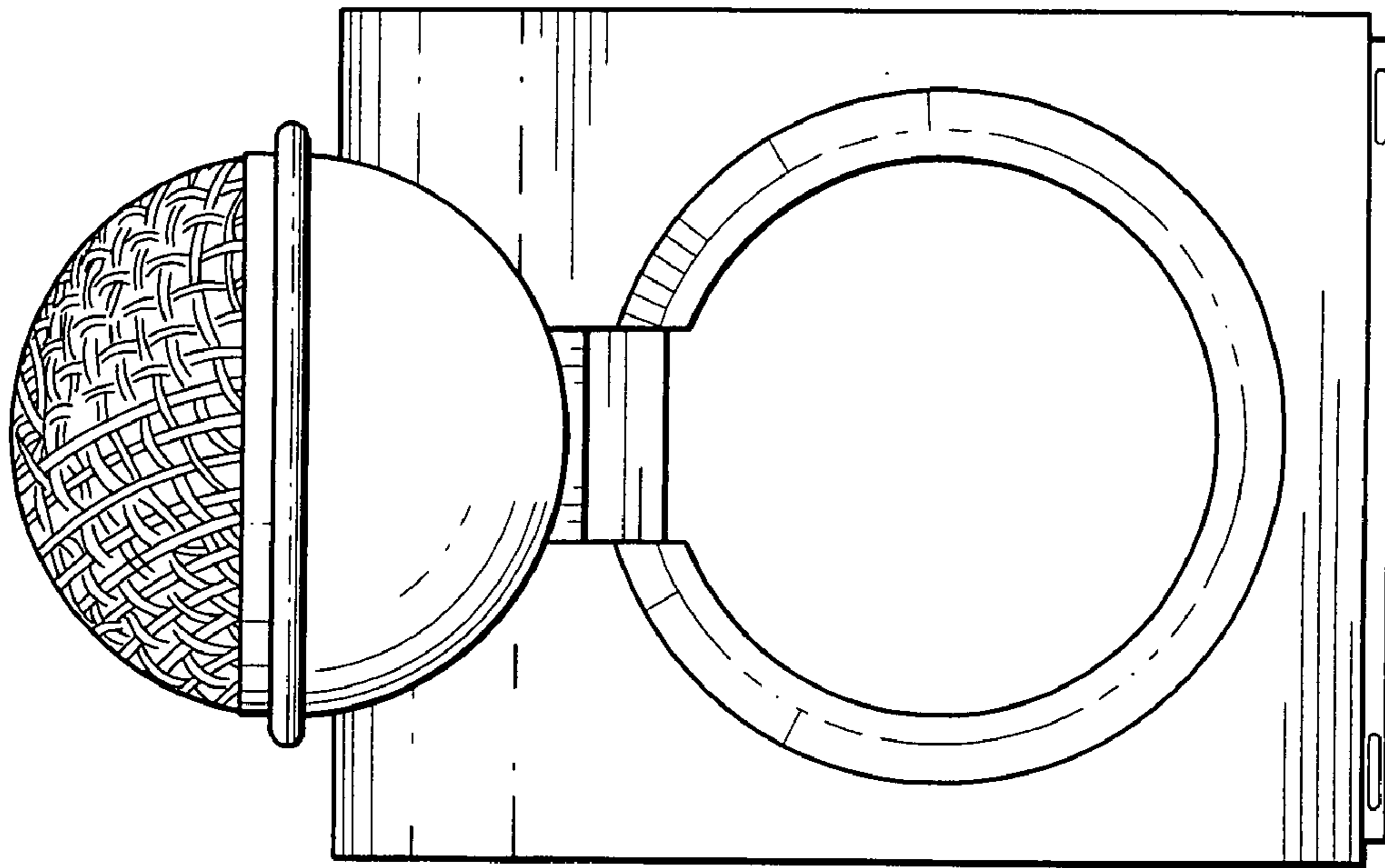


FIG. 9

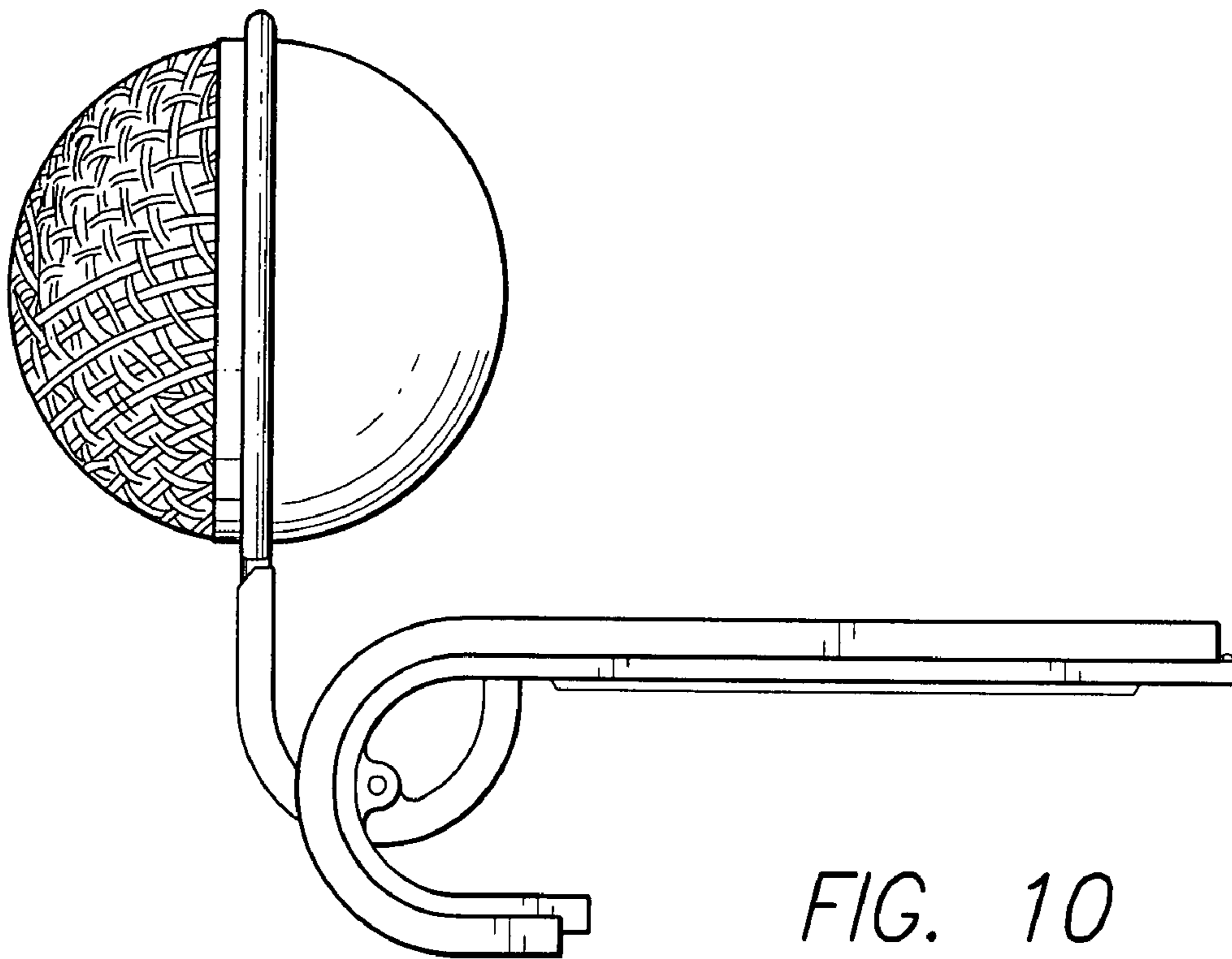


FIG. 10



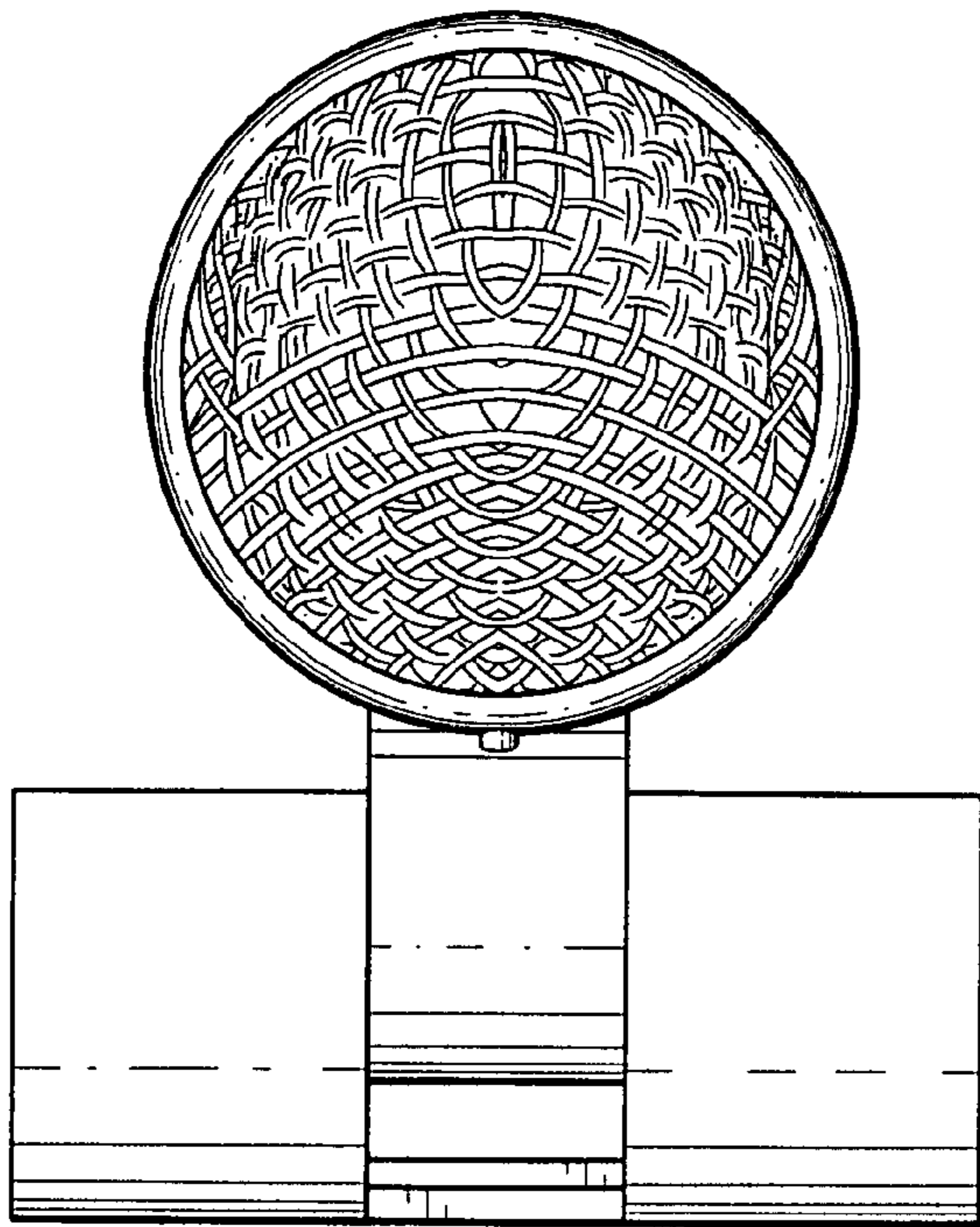


FIG. 11

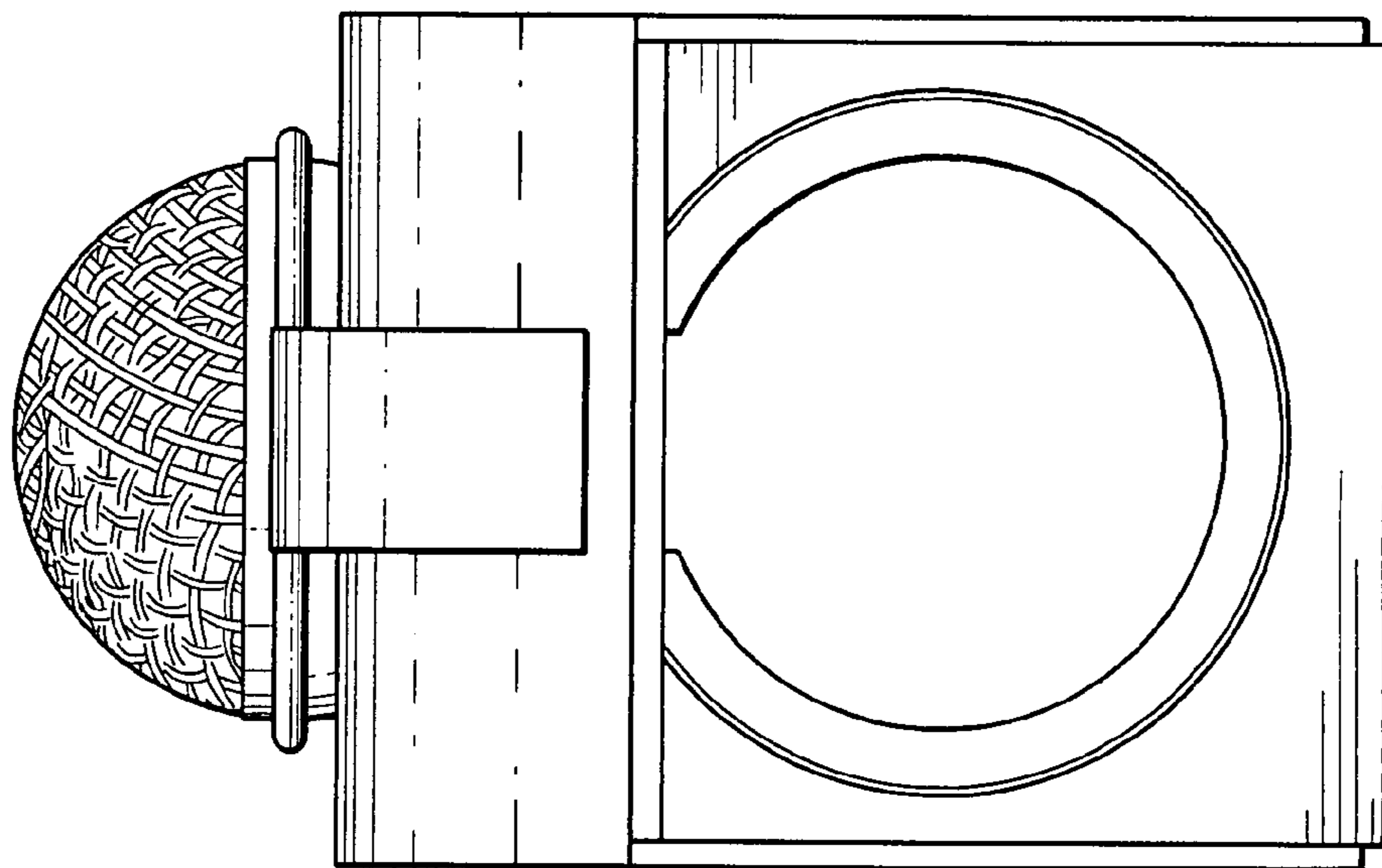
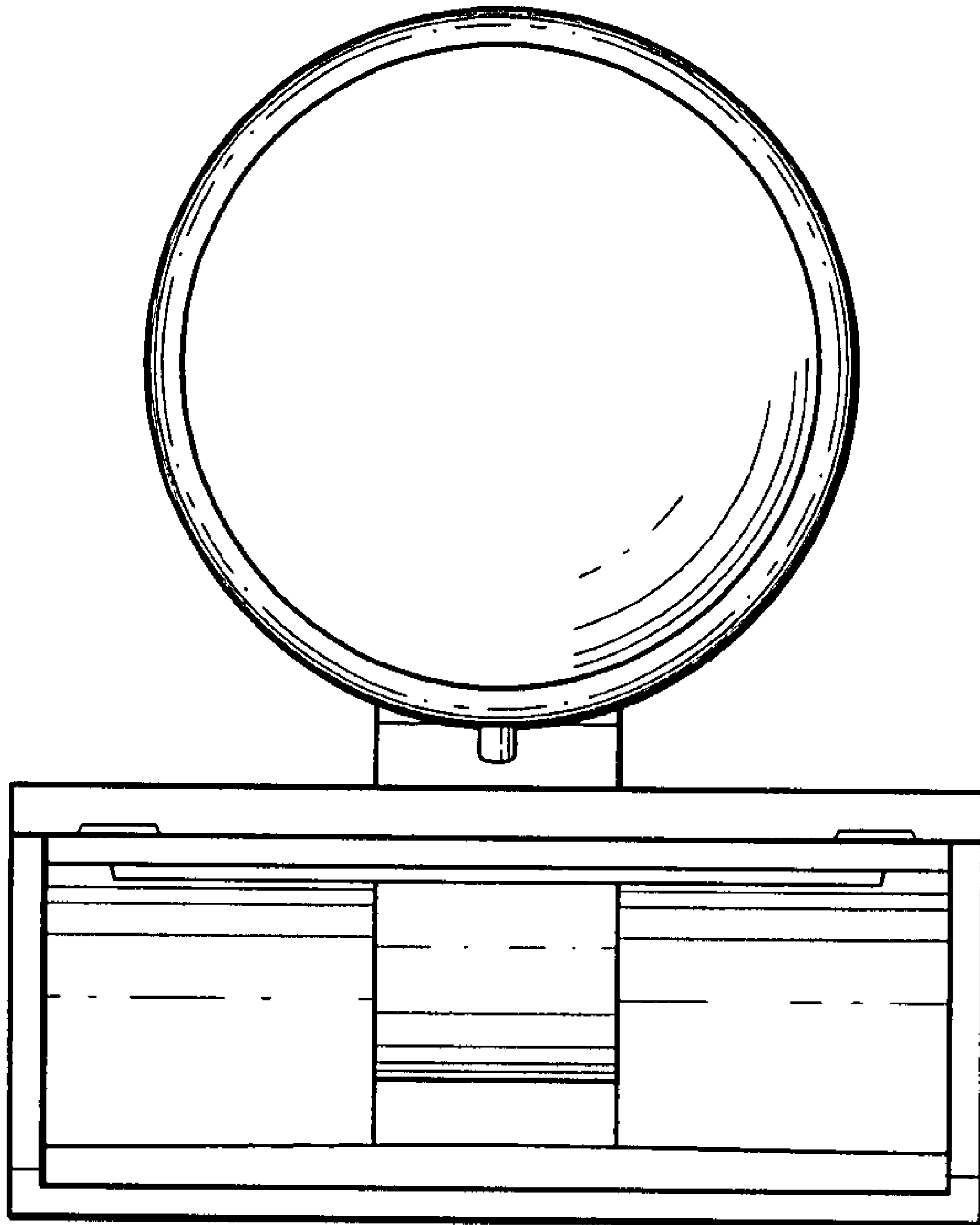


FIG. 12



*FIG. 13*

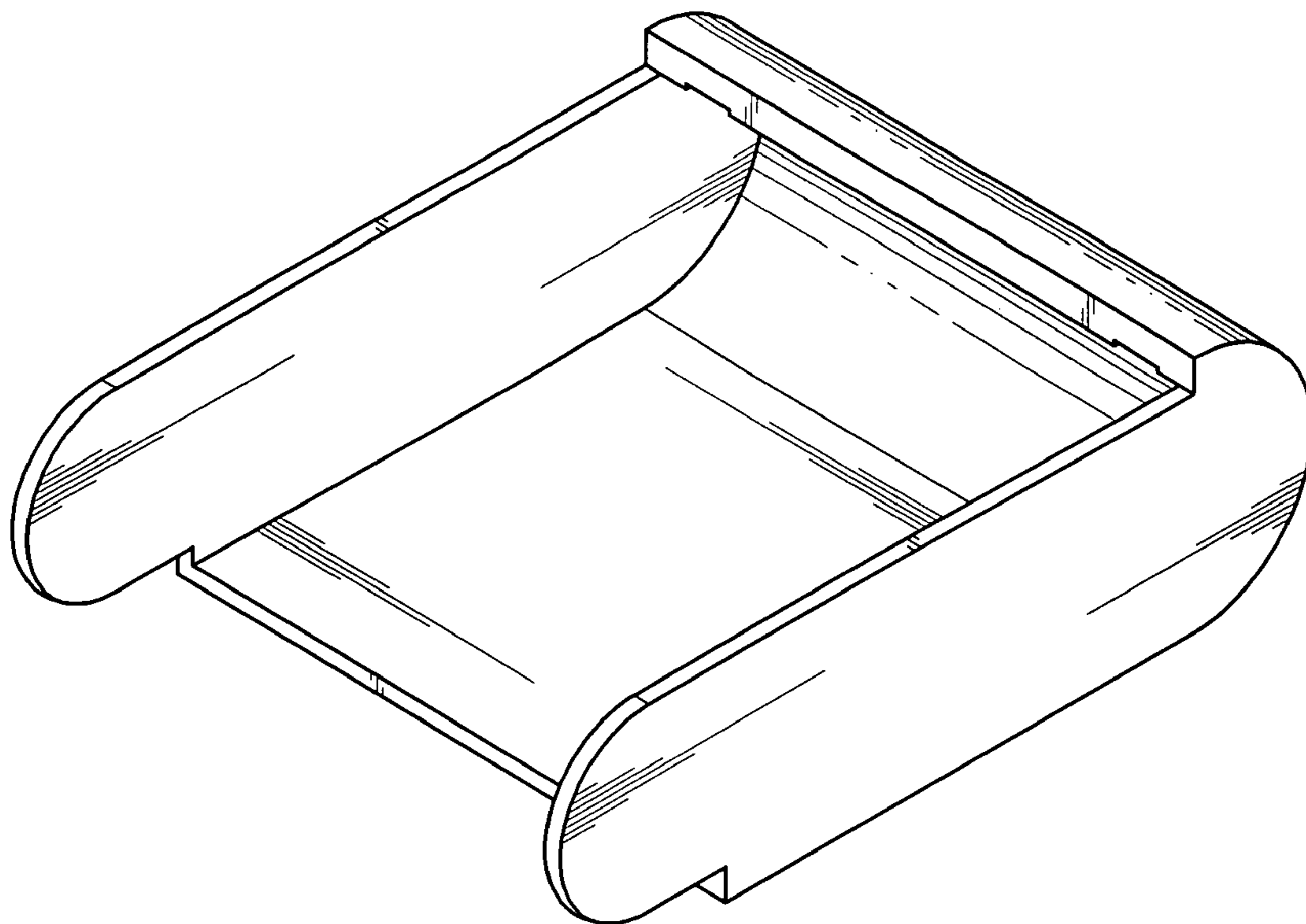
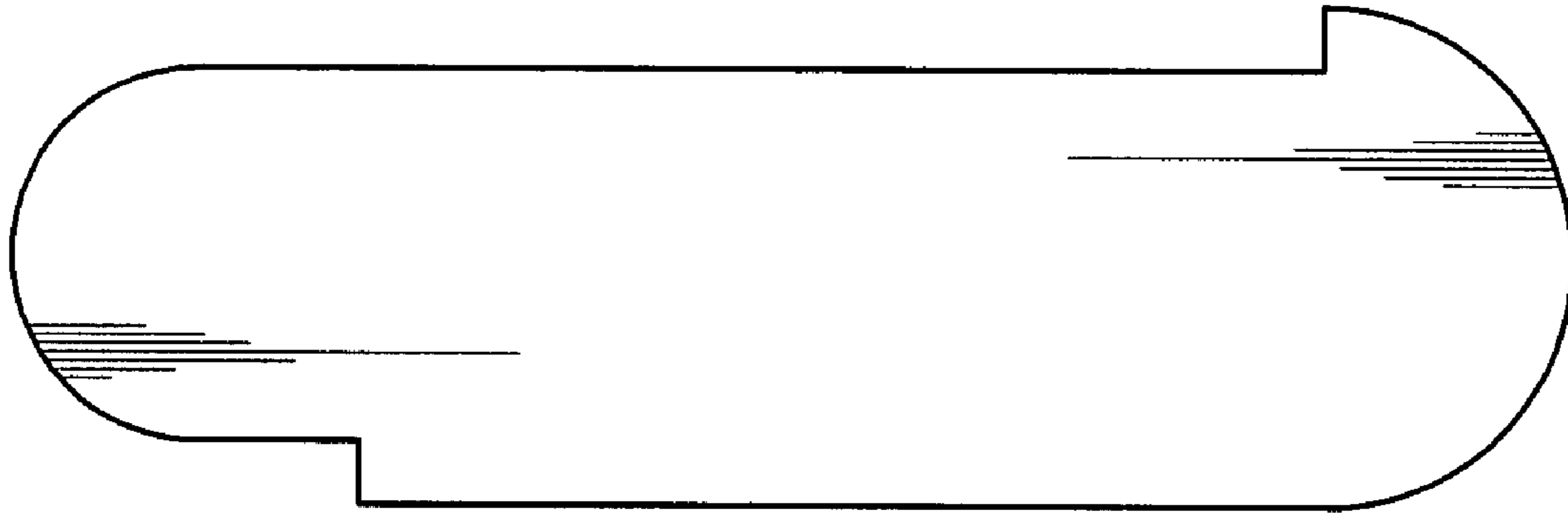


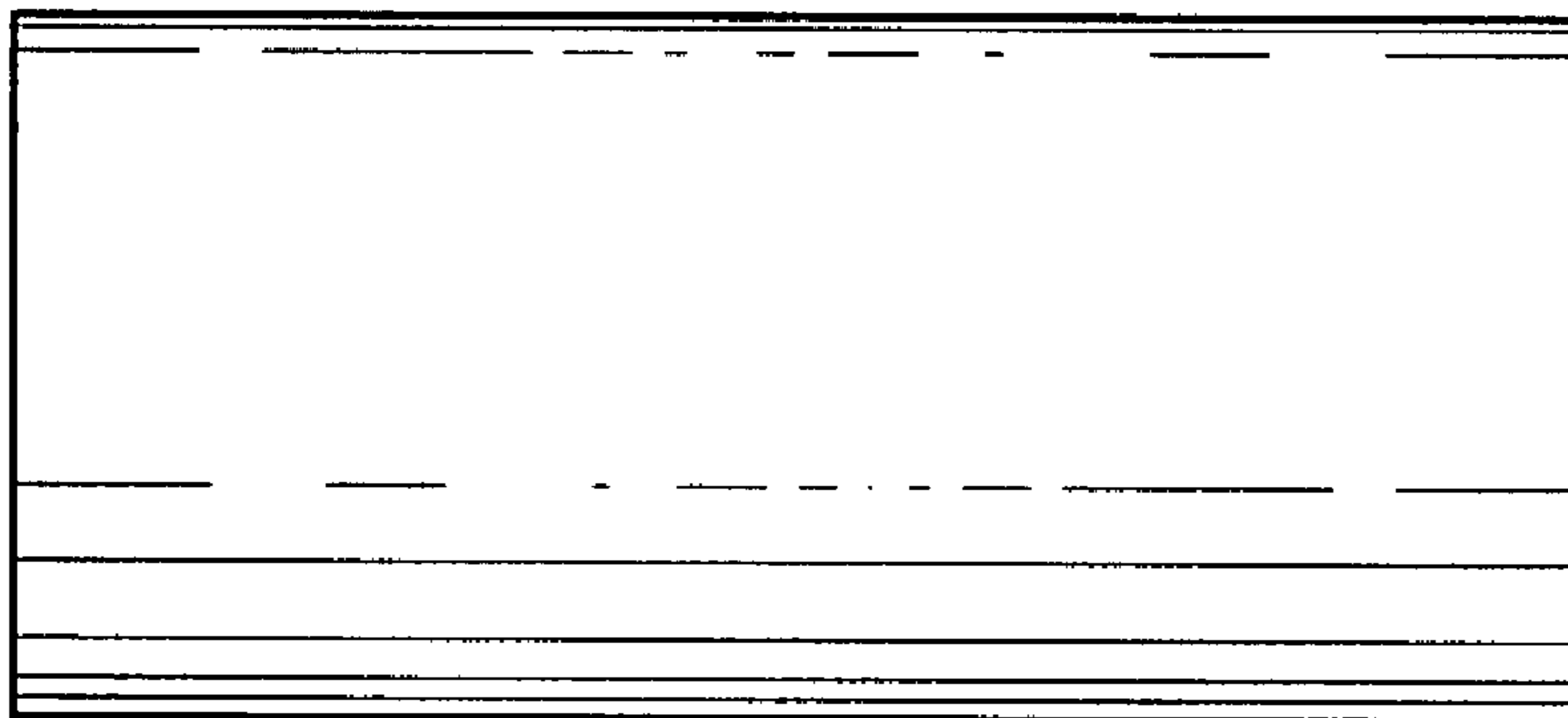
FIG. 14



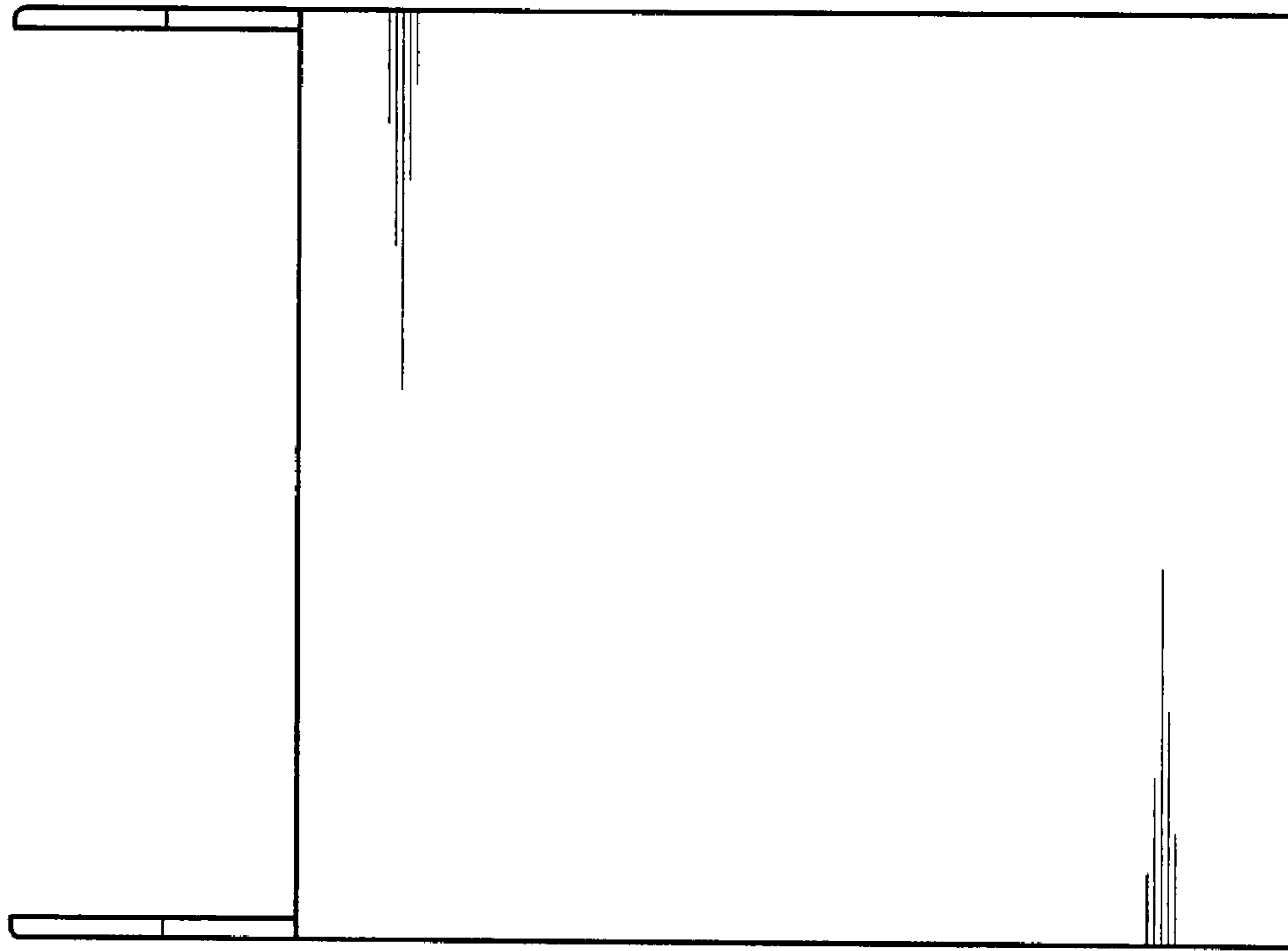
*FIG. 15*



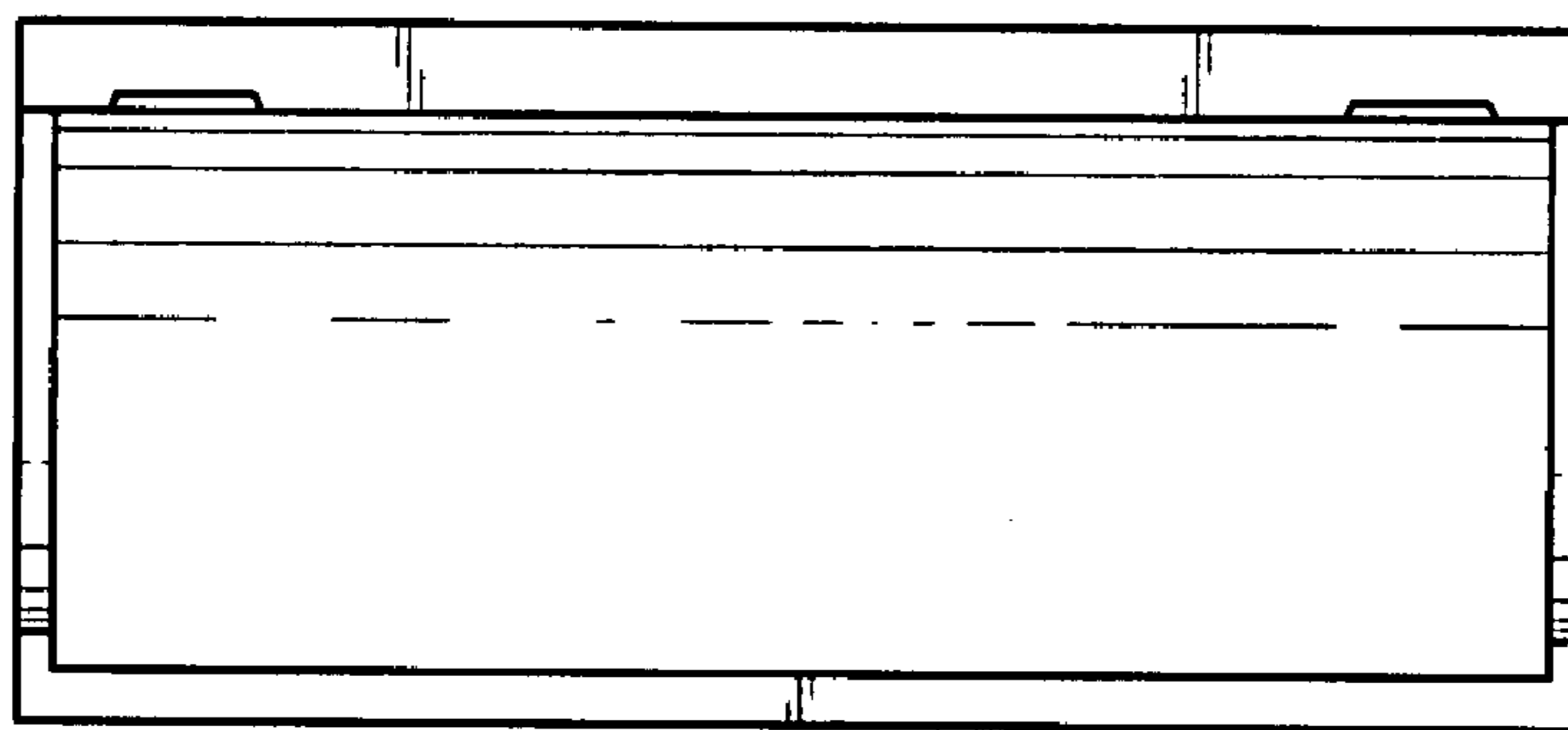
*FIG. 16*



*FIG. 17*



*FIG. 18*



*FIG. 19*