



US00D586331S

(12) **United States Design Patent**
Francz et al.

(10) **Patent No.:** **US D586,331 S**
(45) **Date of Patent:** **** Feb. 10, 2009**

(54) **REMOTE CONTROL**

(75) Inventors: **Steven Francz**, Boonsboro, MD (US);
Friedrich Geck, Mt. Airy, MD (US)

(73) Assignee: **Hillcrest Laboratories, Inc.**, Rockville,
MD (US)

(**) Term: **14 Years**

(21) Appl. No.: **29/260,422**

(22) Filed: **May 24, 2006**

(51) **LOC (9) Cl.** **14-03**

(52) **U.S. Cl.** **D14/218**

(58) **Field of Classification Search** D14/218,
D14/455; D13/168, 162, 164, 169; D21/566;
D10/104, 106, 49; 345/169; 348/14.05,
348/114, 211.99, 734; 455/92, 5, 128, 151.31-151.4,
455/352, 355; 700/65; 341/176
See application file for complete search history.

(56) **References Cited**

U.S. PATENT DOCUMENTS

D371,793 S * 7/1996 Patton D14/218
D536,665 S * 2/2007 Solland D13/108
D547,304 S * 7/2007 Francz et al. D14/218
D550,214 S * 9/2007 Francz et al. D14/218

D550,633 S * 9/2007 Gupta D13/168
D551,660 S * 9/2007 Francz et al. D14/218
D567,227 S * 4/2008 Hada D14/218
2007/0067798 A1 * 3/2007 Wroblewski 725/37
2008/0063381 A1 * 3/2008 Conroy et al. 386/124
2008/0065989 A1 * 3/2008 Conroy et al. 715/716
2008/0222675 A1 * 9/2008 Moshiri et al. 725/38

* cited by examiner

Primary Examiner—T. Chase Nelson

Assistant Examiner—Ania K Dworzecka

(74) *Attorney, Agent, or Firm*—Potomac Patent Group PLLC

(57) **CLAIM**

The ornamental design for a remote control, as shown.

DESCRIPTION

FIG. 1 is a left front perspective view of a remote control showing my design;

FIG. 2 is a left side elevation view thereof;

FIG. 3 is a right side elevation view thereof;

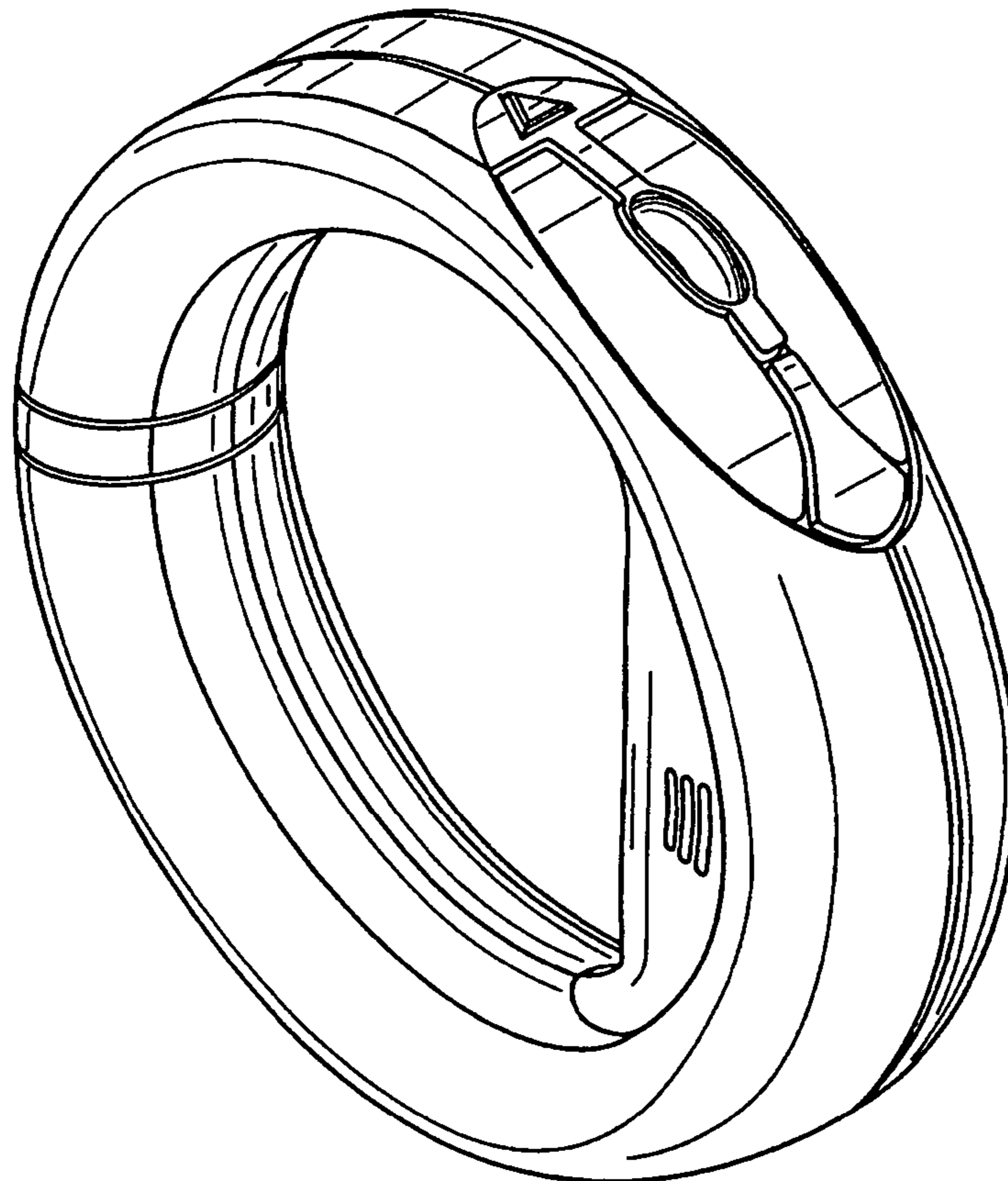
FIG. 4 is a rear elevation view thereof;

FIG. 5 is a front elevation view thereof;

FIG. 6 is a top plan view thereof; and,

FIG. 7 is a bottom plan view thereof.

1 Claim, 5 Drawing Sheets



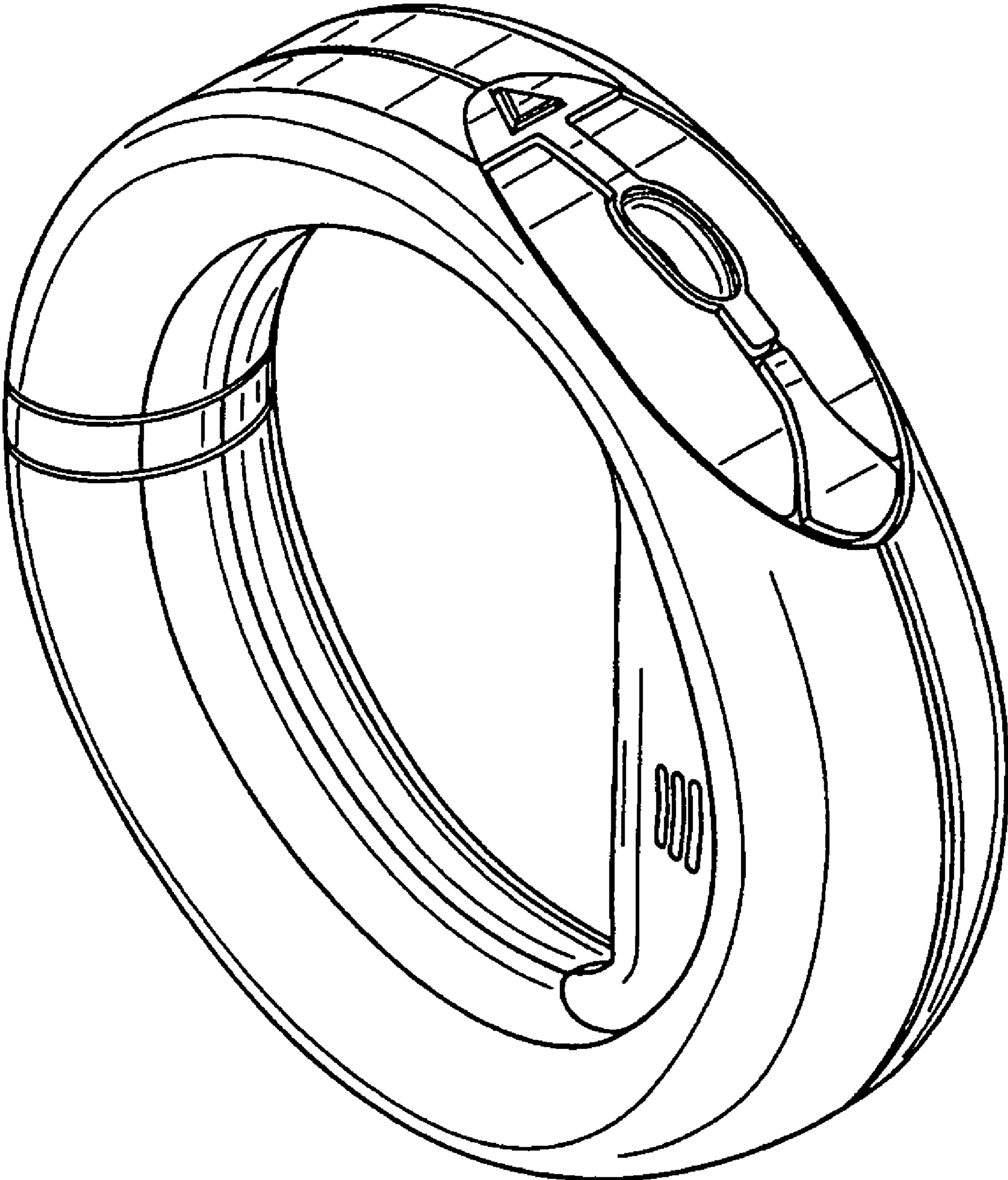


FIG. 1

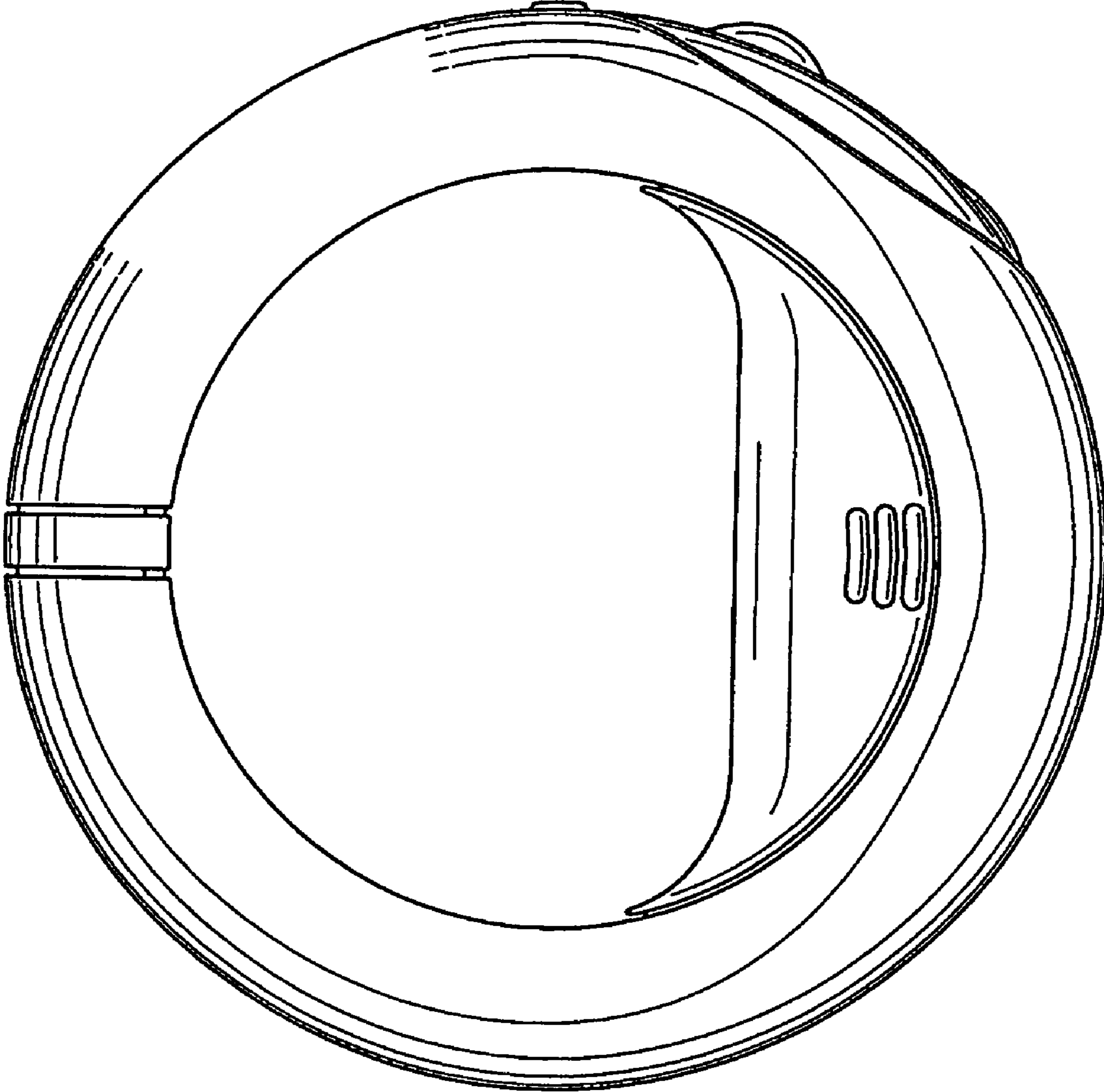


FIG. 2

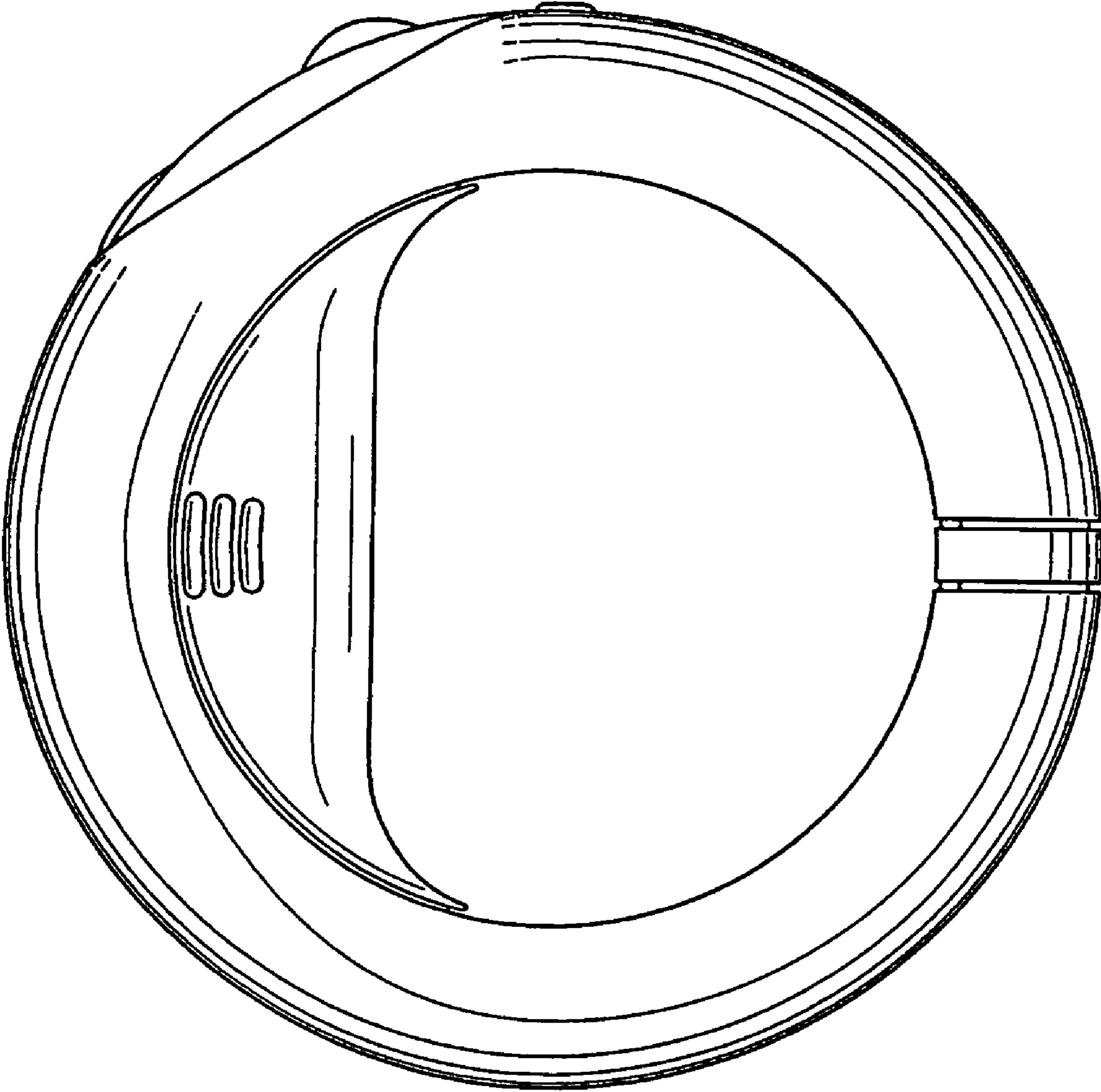


FIG. 3

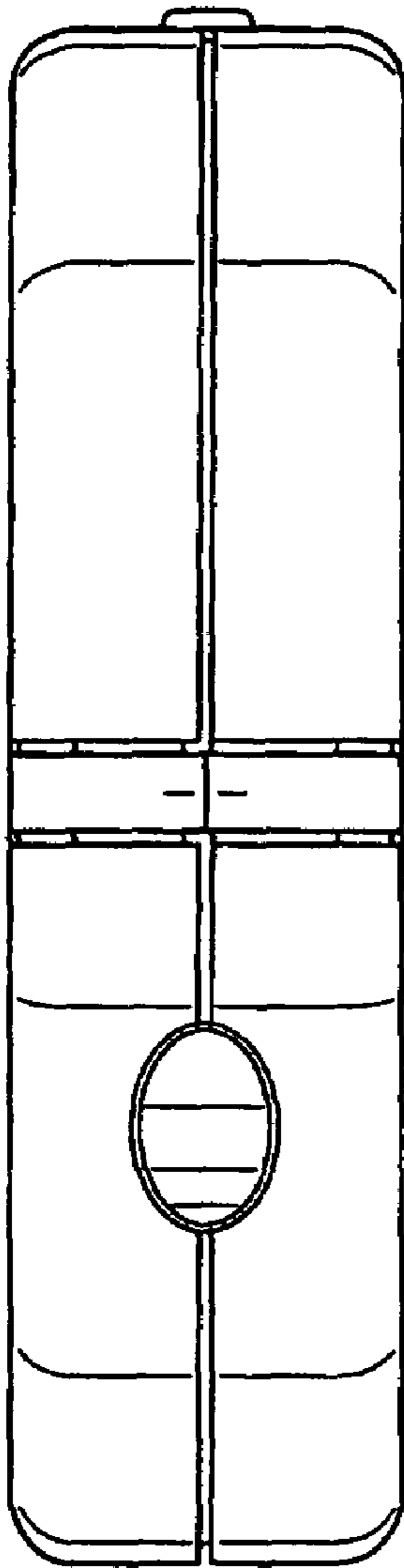


FIG. 4

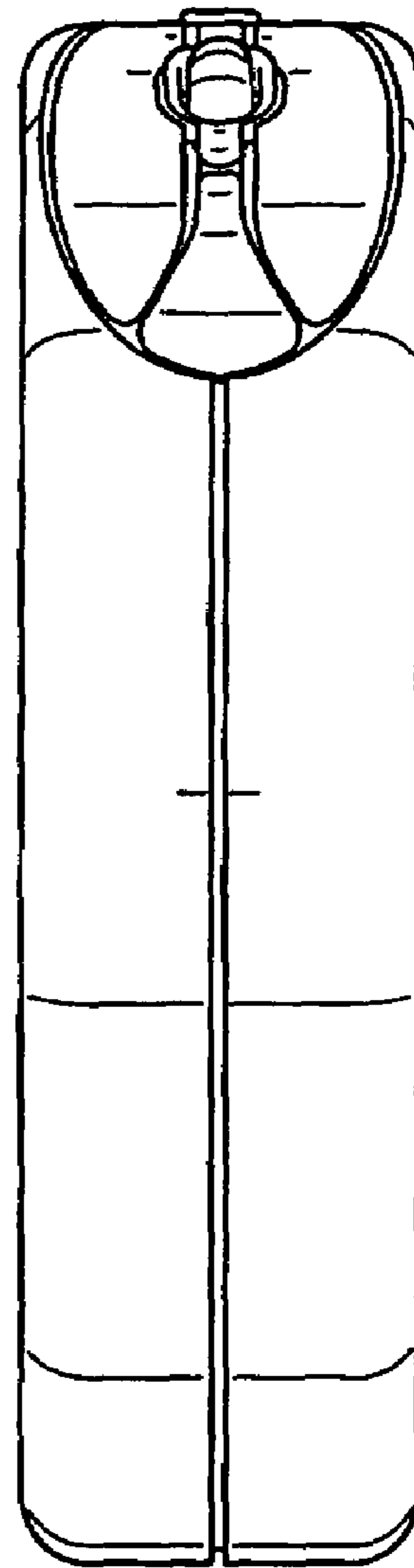


FIG. 5

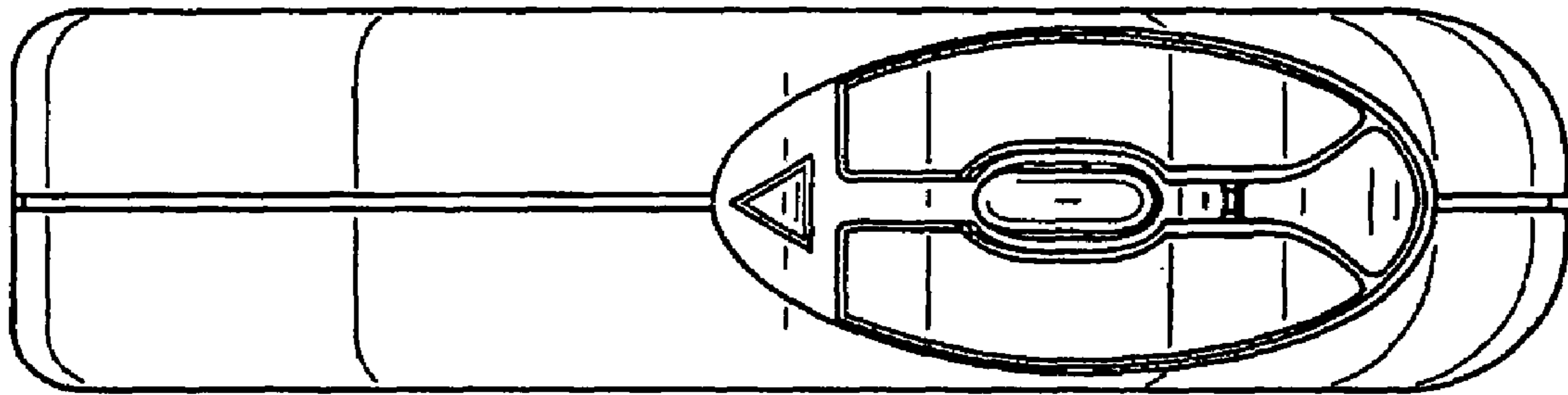


FIG. 6

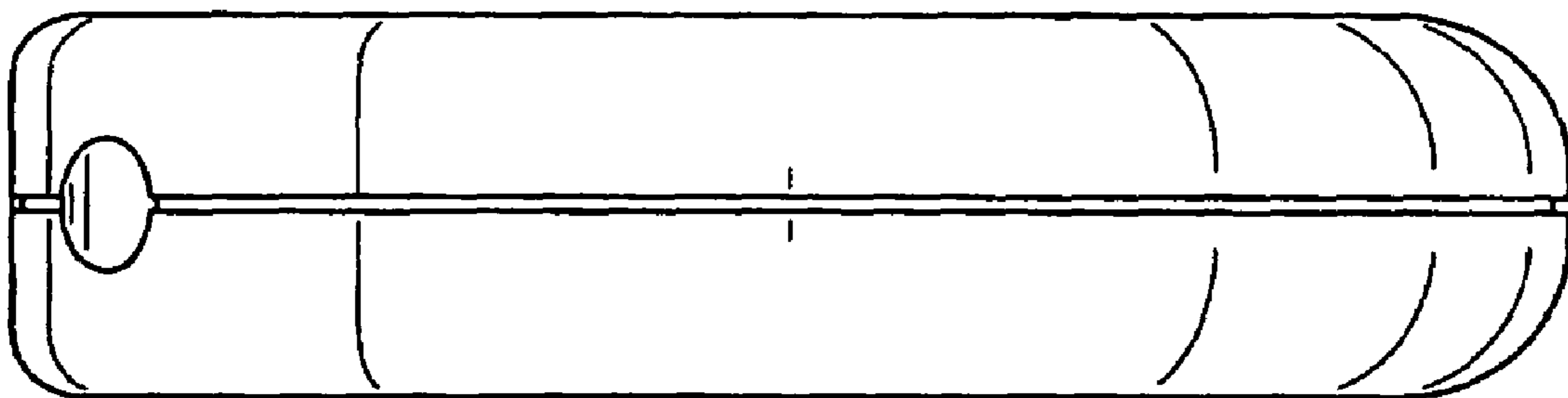


FIG. 7