



US00D586328S

(12) **United States Design Patent**
Ganley et al.

(10) **Patent No.:** **US D586,328 S**

(45) **Date of Patent:** **** Feb. 10, 2009**

(54) **RECEIVER**

(75) Inventors: **Richard Ganley**, Surrey (GB); **Ming Chih Chang**, Taipei (TW); **Tsung Yi Lee**, Taipei (TW)

(73) Assignee: **TOA Corporation**, Kobe-shi (JP)

(**) Term: **14 Years**

(21) Appl. No.: **29/302,991**

(22) Filed: **Jan. 30, 2008**

(51) **LOC (9) Cl.** **14-03**

(52) **U.S. Cl.** **D14/188**

(58) **Field of Classification Search** D14/137,
D14/138, 155, 160–171, 188, 191–198, 217,
D14/265, 299, 496; D10/2; 345/156–158;
369/6–12; 370/342–344; 455/90.1–90.3,
455/344–355, 899

See application file for complete search history.

(56) **References Cited**

U.S. PATENT DOCUMENTS

D327,262 S	*	6/1992	Goatman	D14/137
D329,849 S	*	9/1992	Tokiyama et al.	D14/137
D345,354 S	*	3/1994	Ichimura	D14/137
D383,461 S	*	9/1997	Ito et al.	D14/188
D391,255 S	*	2/1998	Lindeman	D14/157

D416,898 S	*	11/1999	Takahashi	D14/168
D444,138 S	*	6/2001	Ito et al.	D14/168
D484,496 S	*	12/2003	Watanabe	D14/240
D502,696 S	*	3/2005	Ishibashi	D14/198
D533,851 S	*	12/2006	Yoon	D14/126
D537,435 S	*	2/2007	Oikawa	D14/188

* cited by examiner

Primary Examiner—Stella M Reid

Assistant Examiner—Keli L. Acker

(74) *Attorney, Agent, or Firm*—Fox Rothschild LLP

(57) **CLAIM**

The ornamental design for a receiver, as shown.

DESCRIPTION

FIG. 1 is a front perspective view of a receiver showing our new design;

FIG. 2 is a rear perspective view thereof;

FIG. 3 is a front view thereof;

FIG. 4 is a rear view thereof;

FIG. 5 is a top plan view thereof;

FIG. 6 is a bottom plan view thereof;

FIG. 7 is a right side view thereof; and,

FIG. 8 is a left side view thereof.

1 Claim, 6 Drawing Sheets

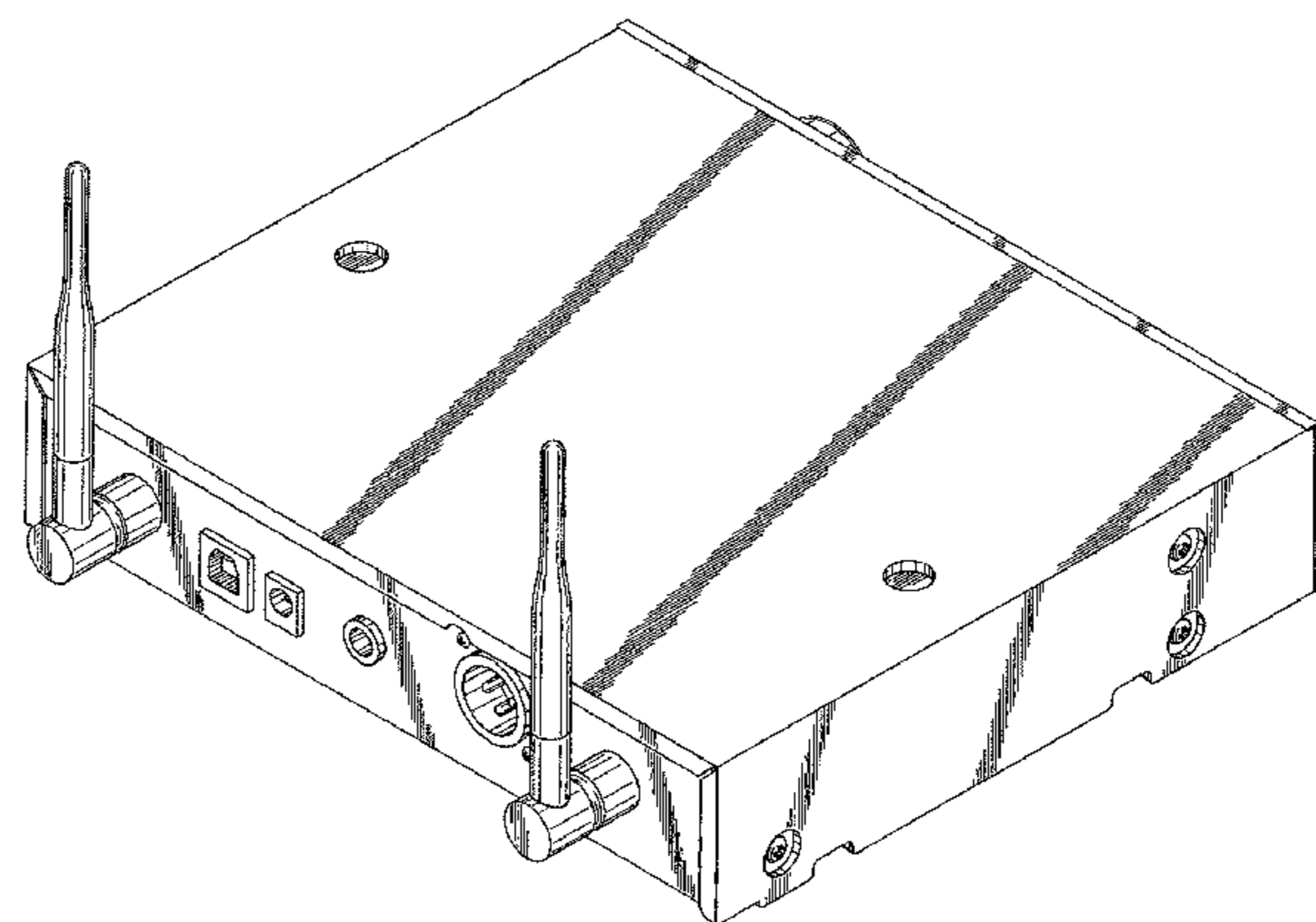
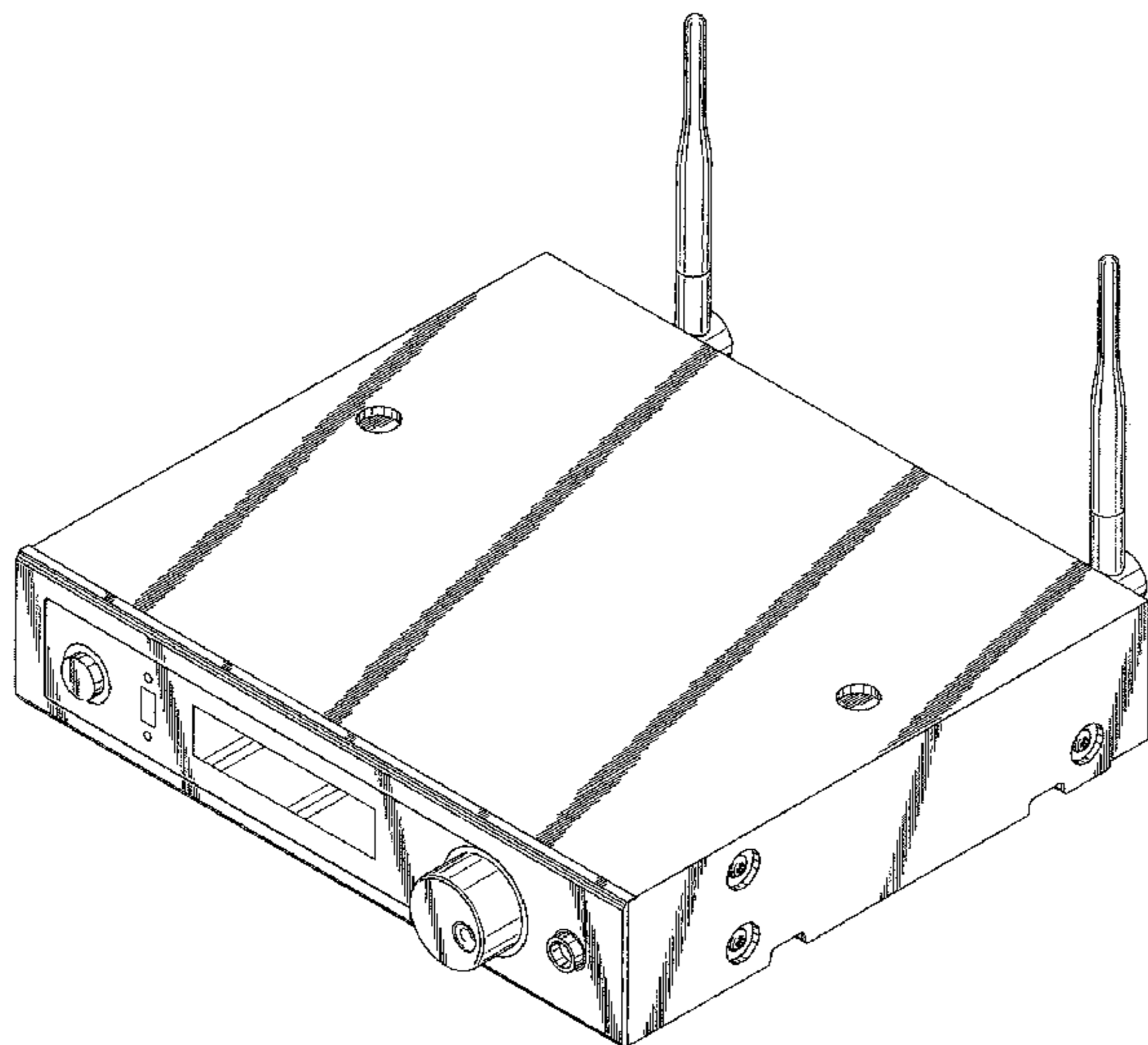


FIG. 1

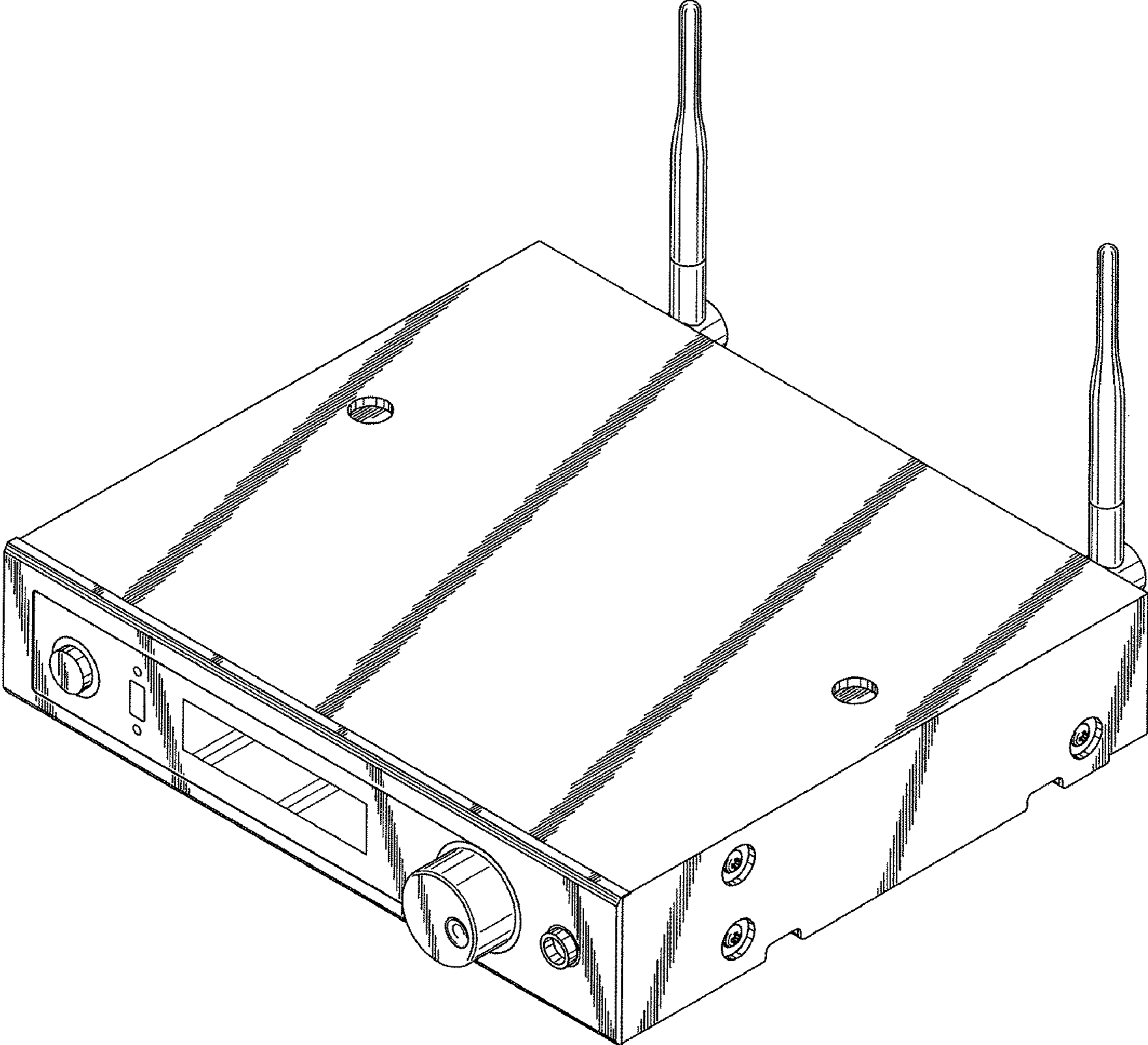


FIG. 2

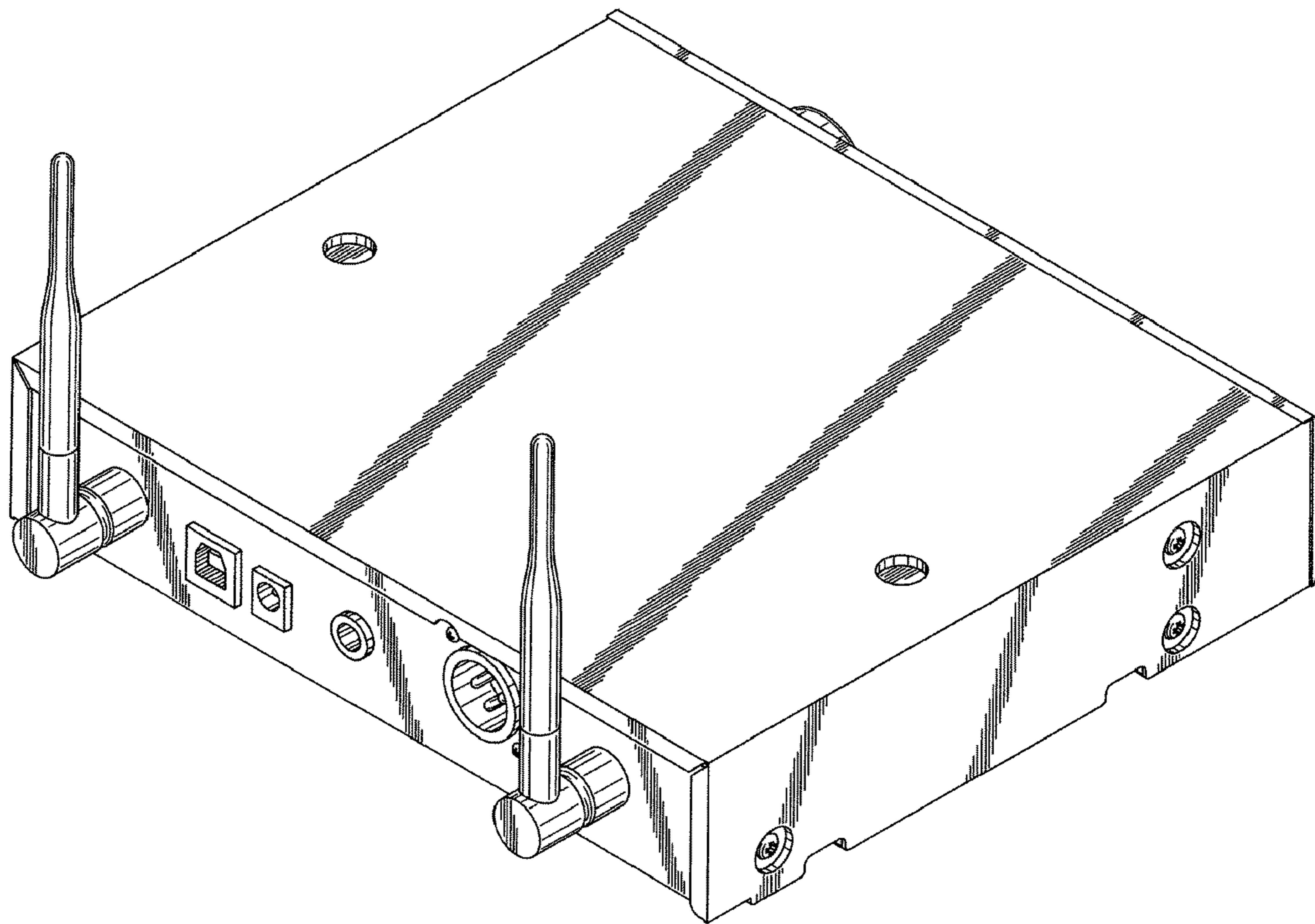


FIG. 3

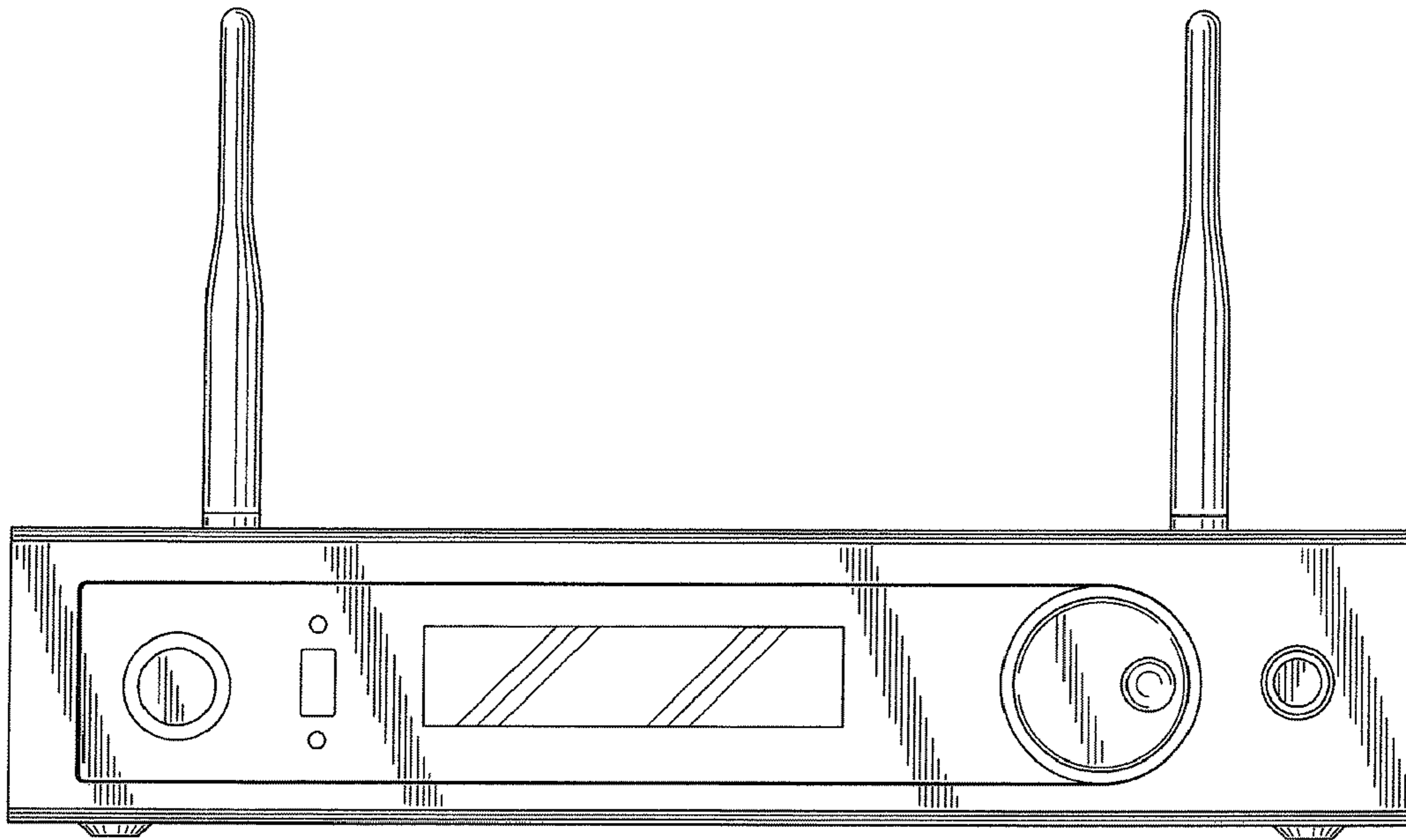


FIG. 4

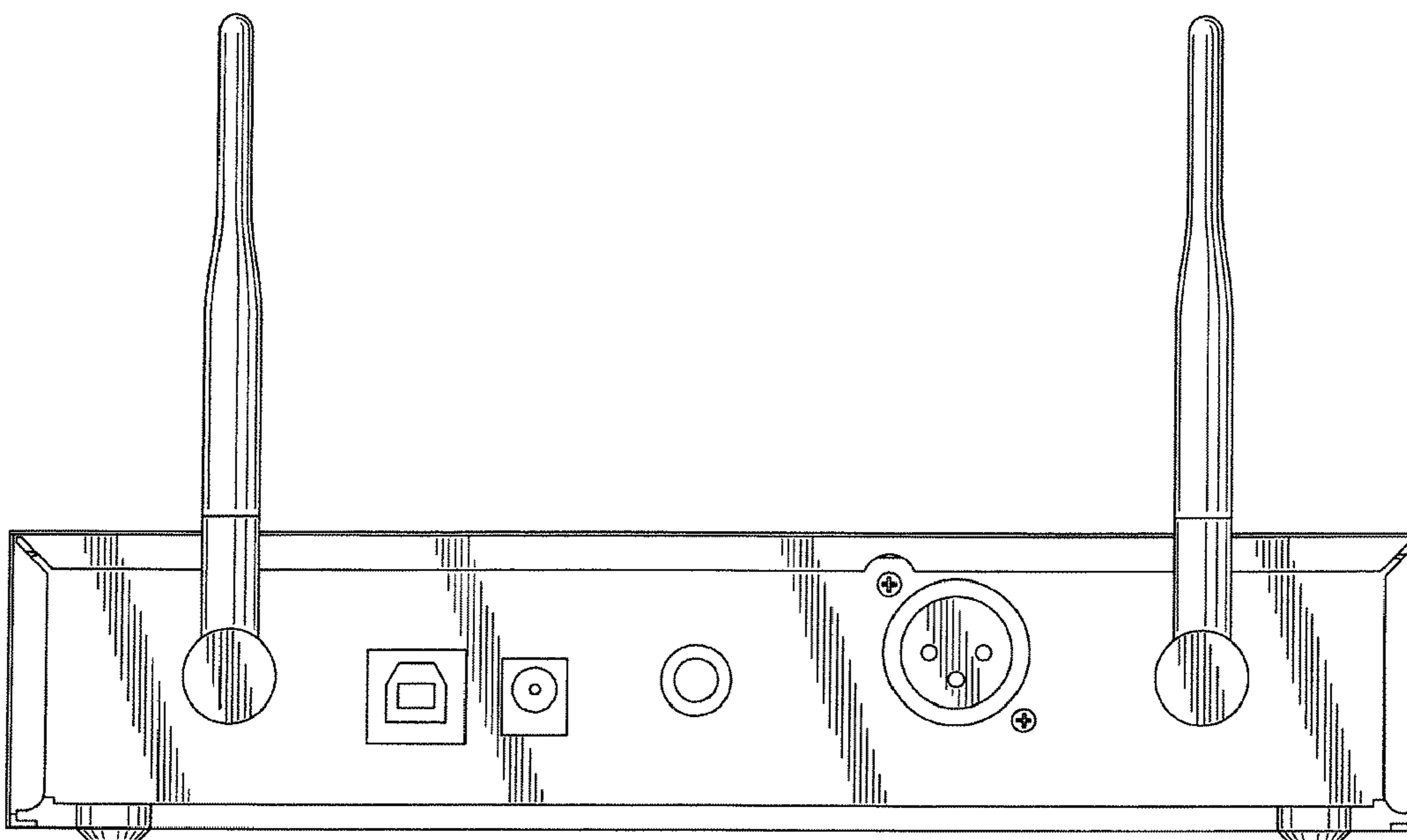


FIG. 5

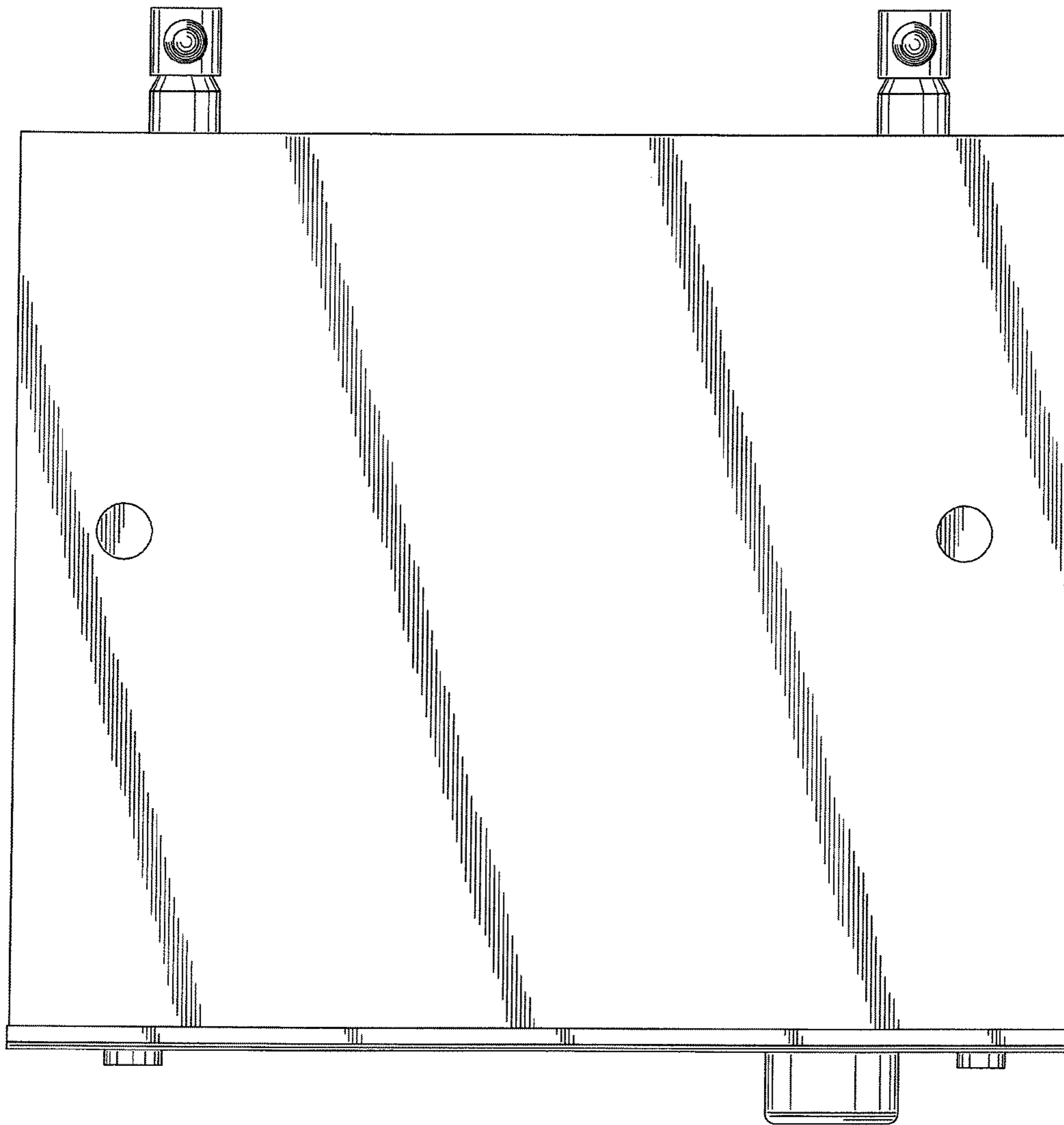


FIG. 6

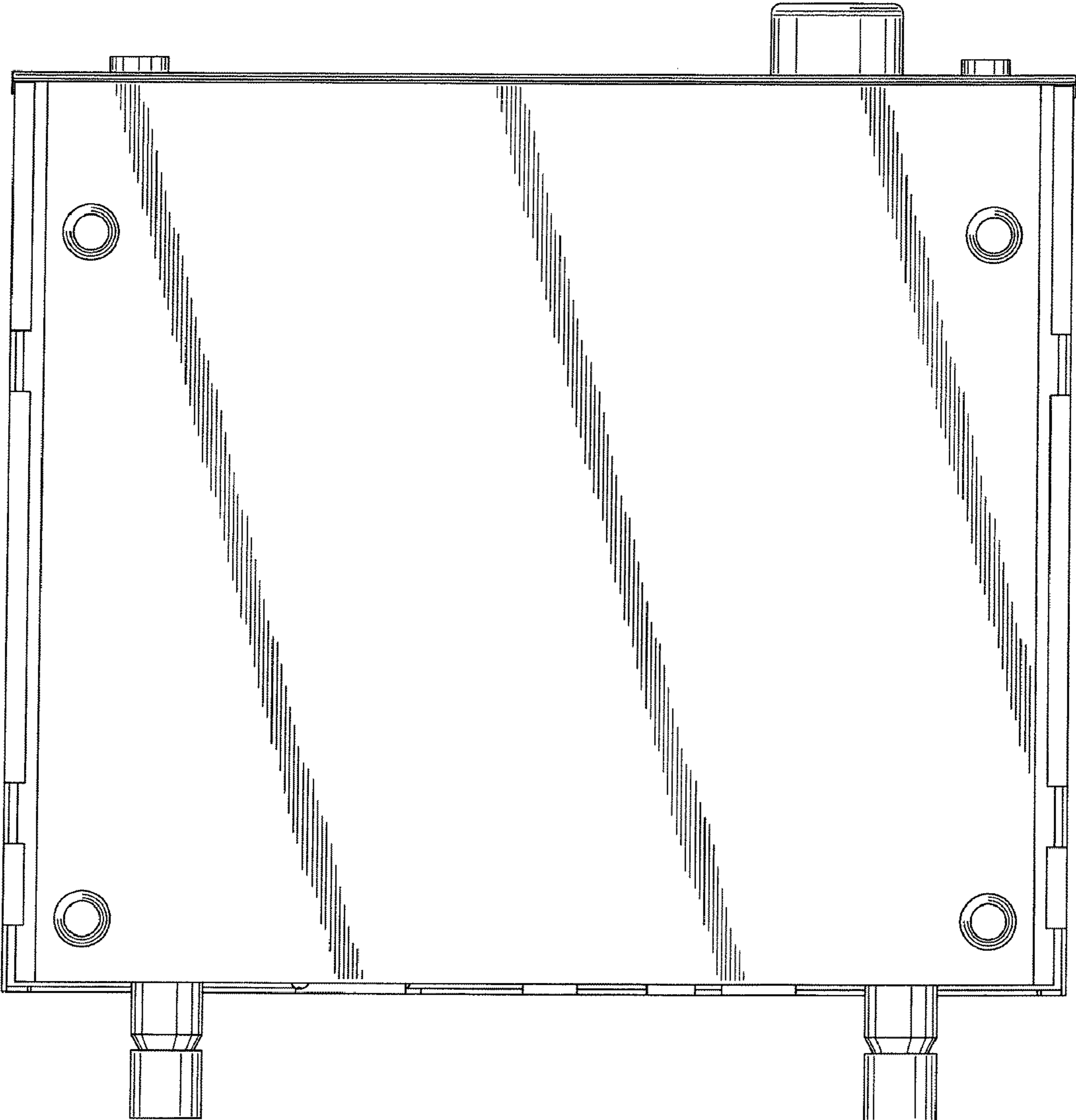


FIG. 7

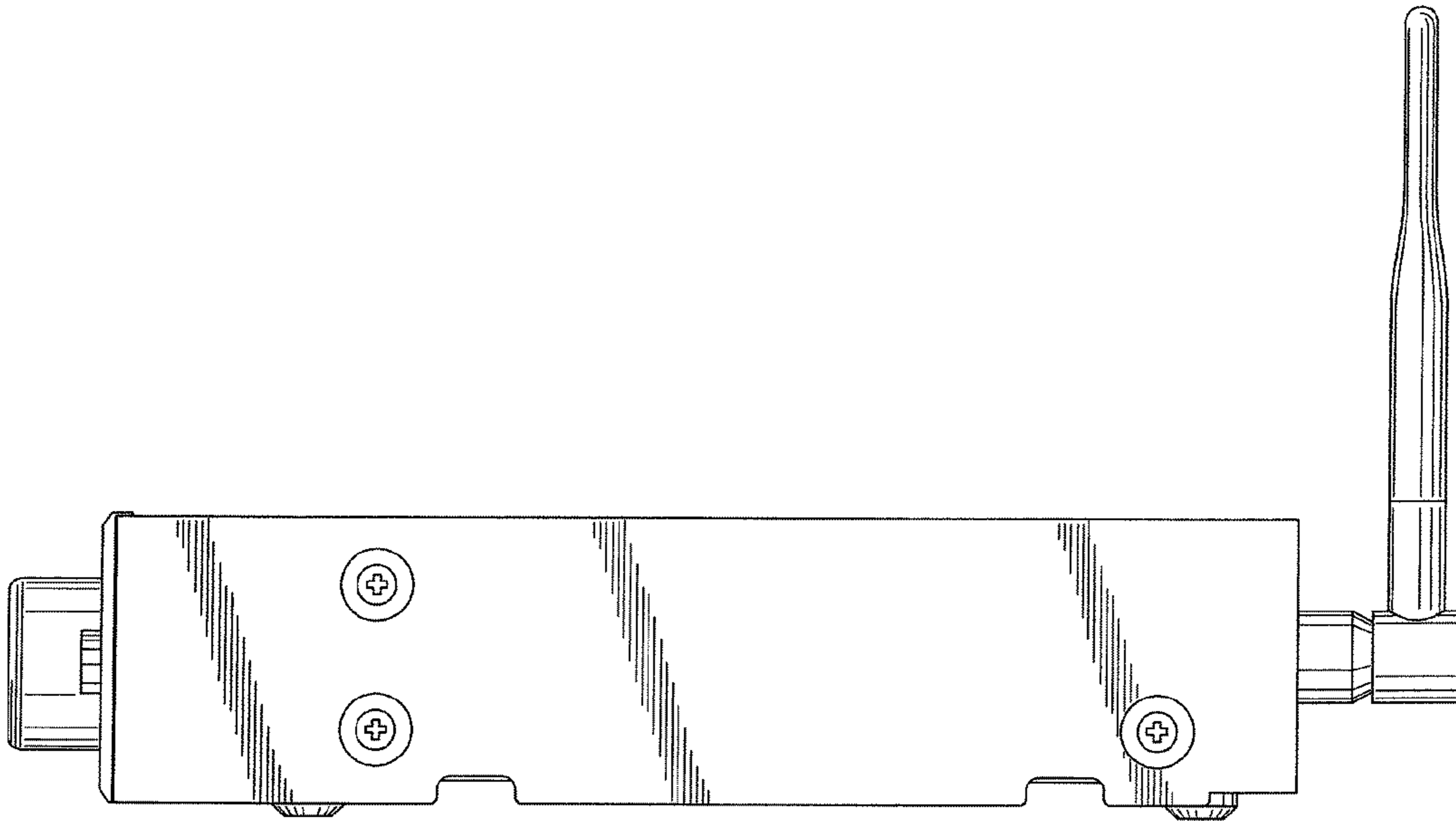


FIG. 8

