



US00D586327S

(12) **United States Design Patent**
Shimizu

(10) **Patent No.:** **US D586,327 S**

(45) **Date of Patent:** **** Feb. 10, 2009**

(54) **RADIO RECEIVER**

(75) Inventor: **Naoto Shimizu**, Tokyo (JP)

(73) Assignee: **Sony Corporation**, Tokyo (JP)

(**) Term: **14 Years**

(21) Appl. No.: **29/290,629**

(22) Filed: **Dec. 28, 2007**

(51) **LOC (9) Cl.** **14-03**

(52) **U.S. Cl.** **D14/188**

(58) **Field of Classification Search** D14/137,
D14/155, 156, 168, 170, 171, 188, 193-198,
D14/210, 212, 214, 217, 496; D10/1, 2,
D10/15; 312/7.1; 455/90.1-90.3, 344-355;
369/6-12; 370/342-344

See application file for complete search history.

(56) **References Cited**

U.S. PATENT DOCUMENTS

D100,488 S *	7/1936	Ciccarelli	D14/195
D148,297 S *	1/1948	Hardell	D14/169
D297,831 S *	9/1988	Hirose et al.	D14/162
D351,595 S *	10/1994	Furui	D14/168
D394,064 S *	5/1998	Freadman	D14/214
D420,352 S *	2/2000	Chan	D14/171
D421,607 S *	3/2000	Hakoda	D14/171
D501,193 S	1/2005	Tsuge		
D510,347 S *	10/2005	Martin	D14/299
D513,507 S	1/2006	Tsuge		
D542,272 S *	5/2007	Shiono	D14/214
D554,604 S	11/2007	Sogabe		

D556,185 S *	11/2007	Motoishi	D14/170
D560,657 S *	1/2008	Langberg et al.	D14/214
D561,741 S *	2/2008	Huang	D14/214
D563,386 S *	3/2008	Foster	D14/214
D570,869 S *	6/2008	Yamada	D14/496
D572,702 S *	7/2008	Bart	D14/171

* cited by examiner

Primary Examiner—Stella M Reid

Assistant Examiner—Keli L Acker

(74) *Attorney, Agent, or Firm*—Rader, Fishman & Grauer, PLLC

(57) **CLAIM**

The ornamental design for a radio receiver, as shown and described.

DESCRIPTION

FIG. 1 is a perspective view of a radio receiver showing my new design;

FIG. 2 is a front elevational view thereof;

FIG. 3 is a rear elevational view thereof;

FIG. 4 is a left side elevational view thereof;

FIG. 5 is a right side elevational view thereof;

FIG. 6 is a top plan view thereof; and,

FIG. 7 is a bottom plan view thereof.

The broken line showing of the drawing disclosure is for illustrative purposes only and forms no part of the claimed design.

1 Claim, 7 Drawing Sheets

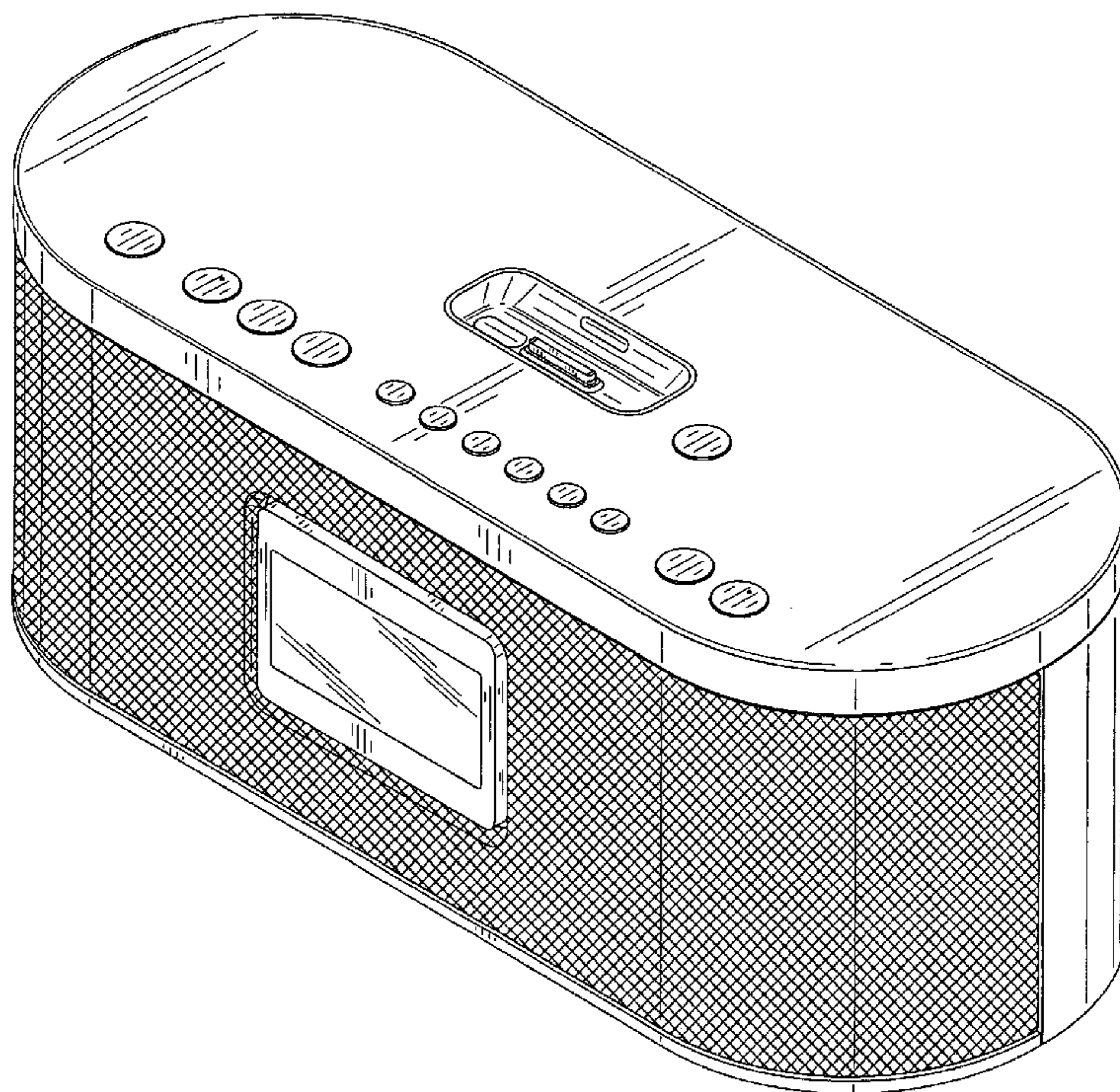


Fig.1

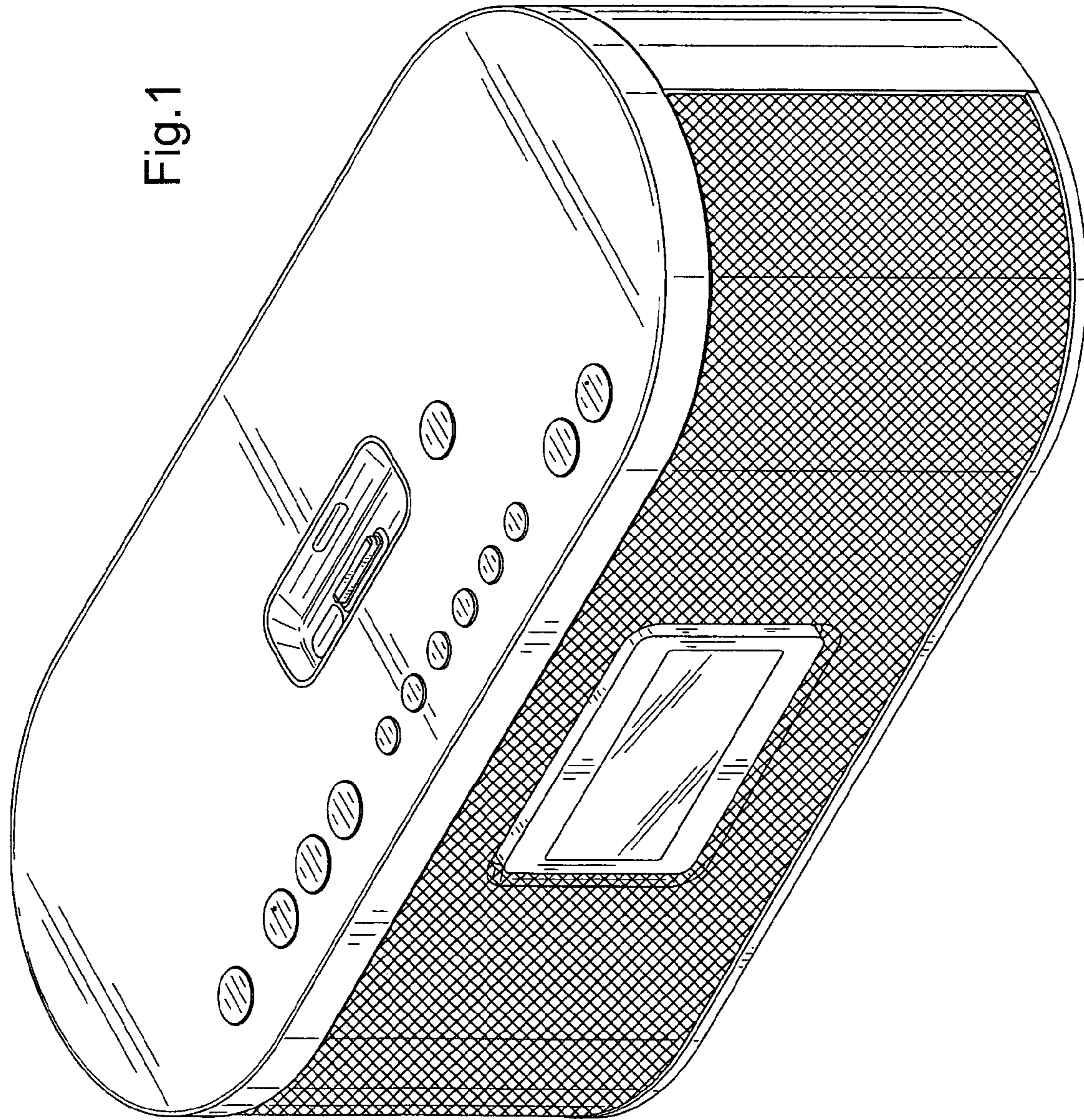


Fig.2

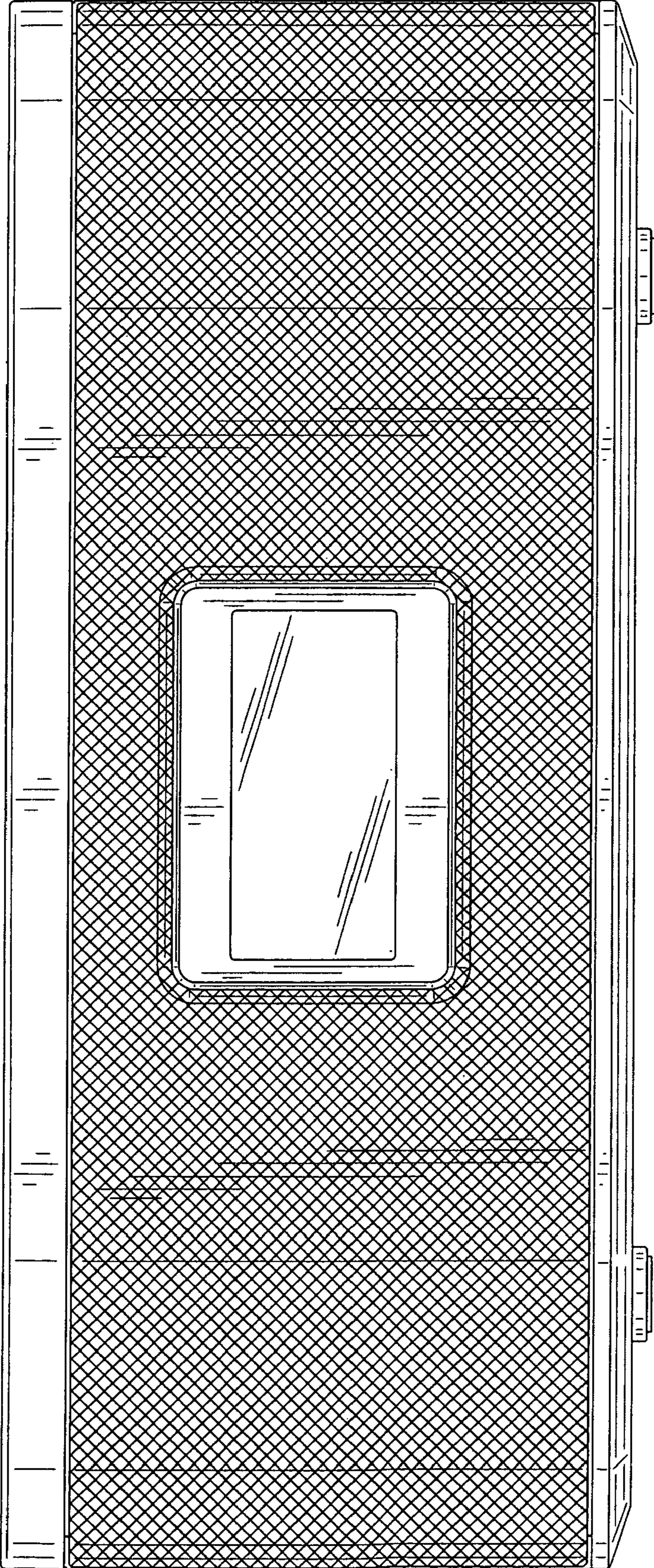


Fig.3

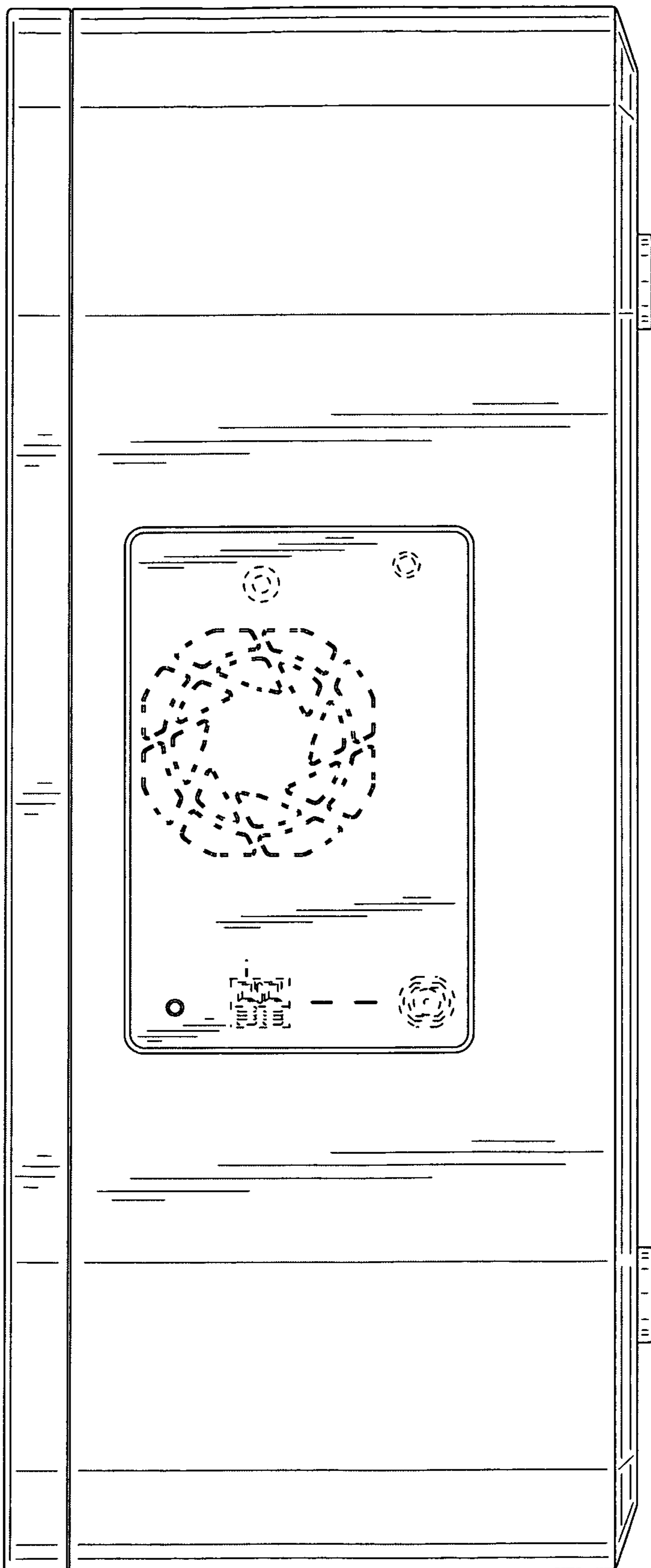


Fig.4

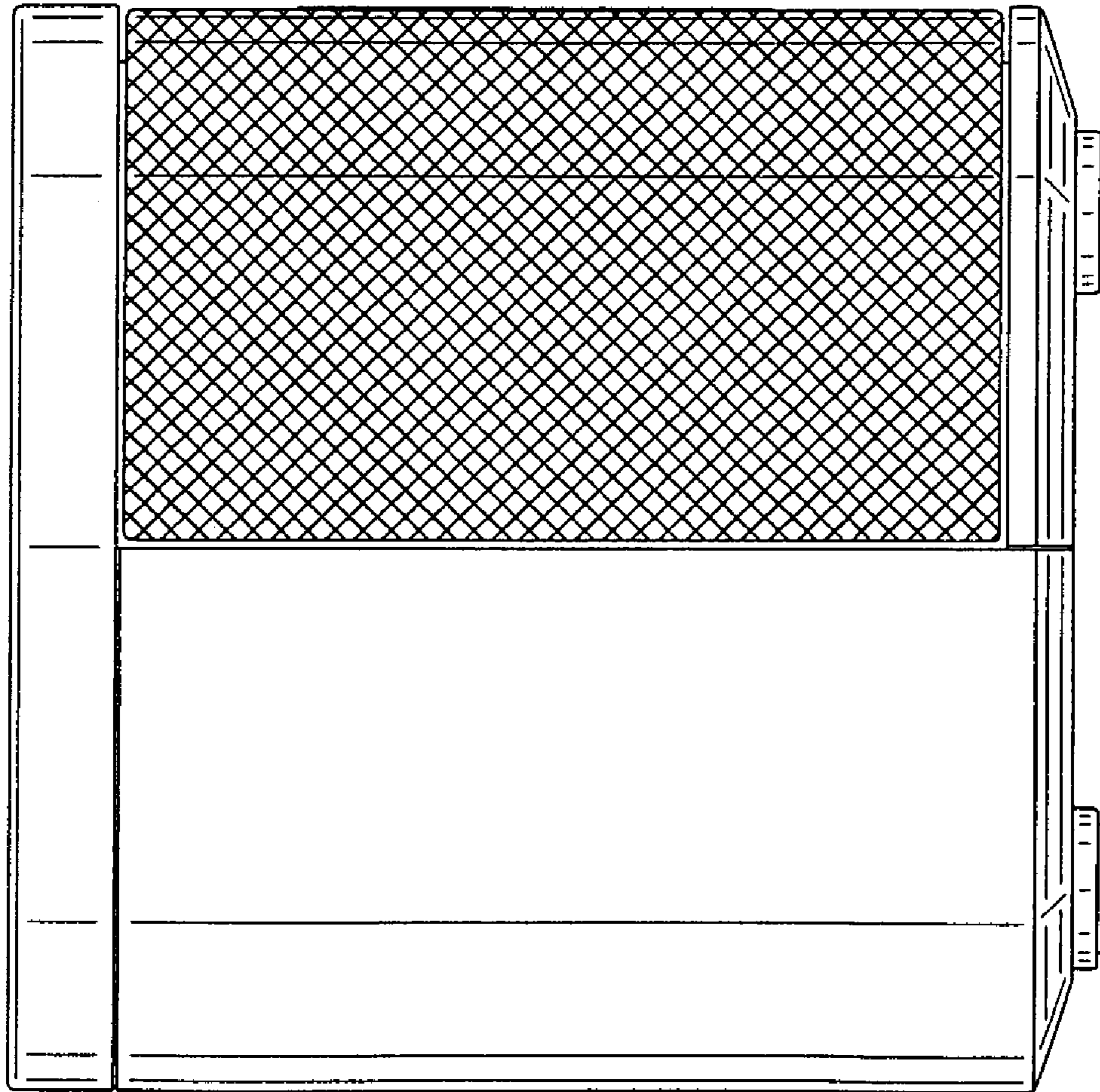


Fig.5

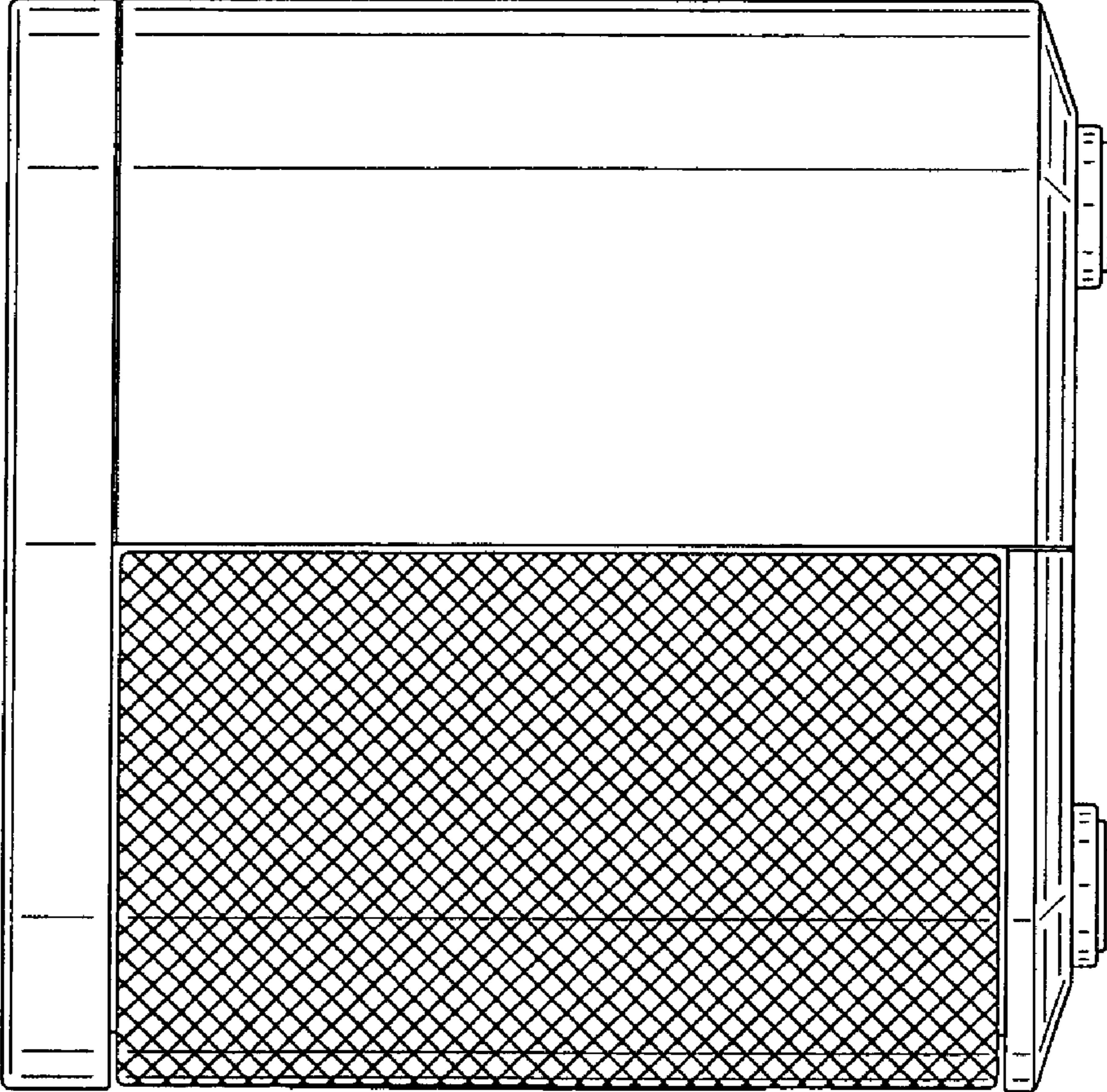


Fig.6

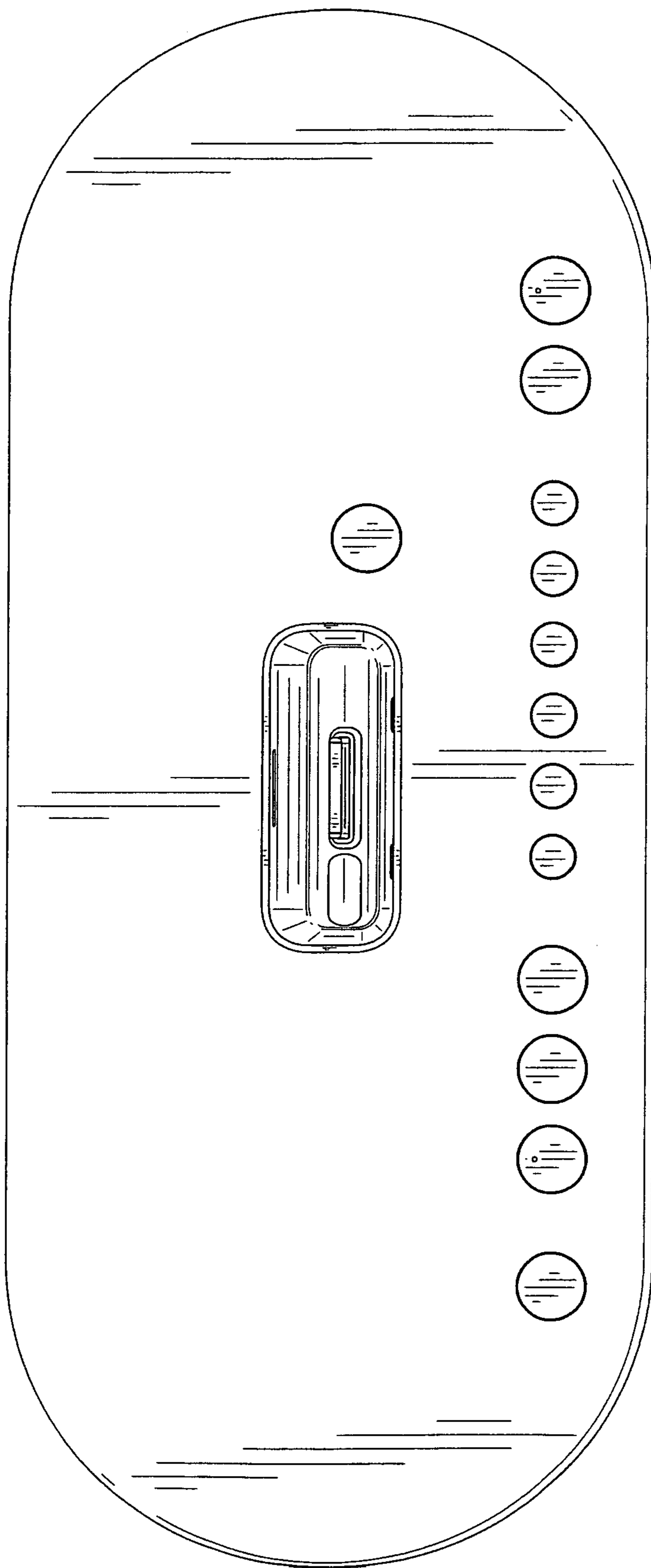


Fig.7

