

US00D586321S

(12) **United States Design Patent**
Ooi

(10) **Patent No.:** **US D586,321 S**

(45) **Date of Patent:** **** Feb. 10, 2009**

(54) **MOBILE PHONE**

(75) Inventor: **Lee Sun Ooi**, Bagan Ajam (MY)

(73) Assignee: **Sony Ericsson Mobile Communications AB**, Lund (SE)

(**) Term: **14 Years**

(21) Appl. No.: **29/318,835**

(22) Filed: **May 29, 2008**

(30) **Foreign Application Priority Data**

Dec. 6, 2007 (EM) 000837612-0001
Dec. 6, 2007 (EM) 000837612-0002

(51) **LOC (9) Cl.** **14-03**

(52) **U.S. Cl.** **D14/138 AB**

(58) **Field of Classification Search** D14/138,
D14/496, 341-347; 455/575.3, 575.1
See application file for complete search history.

(56) **References Cited**

U.S. PATENT DOCUMENTS

D486,132 S * 2/2004 Jang D14/138 AB
D508,035 S * 8/2005 Kim et al. D14/138 AB
D509,816 S * 9/2005 Kim et al. D14/138 AB
D519,966 S * 5/2006 Salmi et al. D14/138 AB
D536,320 S * 2/2007 Michaels D14/138 AB
D537,059 S * 2/2007 Hwang D14/138 AB
D559,216 S * 1/2008 Sheu D14/138 AB
D559,813 S * 1/2008 Cho et al. D14/138 AB
D561,726 S * 2/2008 Hong et al. D14/138 AB
D563,924 S * 3/2008 Arnold et al. D14/138 AB
7,346,371 B2 * 3/2008 Tomatsu 455/558
D566,677 S * 4/2008 Park et al. D14/138 AB
D568,859 S * 5/2008 Choi D14/138 AB
D571,344 S * 6/2008 Kim et al. D14/138
D571,345 S * 6/2008 Kim et al. D14/138
D571,772 S * 6/2008 Kim et al. D14/138
D571,773 S * 6/2008 Kim et al. D14/138
D573,126 S * 7/2008 Lee et al. D14/138
D573,127 S * 7/2008 Choi et al. D14/138

D574,352 S * 8/2008 Cha et al. D14/138
D576,132 S * 9/2008 Choi D14/138 R
D576,142 S * 9/2008 Park et al. D14/138 R
D576,983 S * 9/2008 Park et al. D14/138 R
D577,348 S * 9/2008 Kim et al. D14/138 R
2003/0092401 A1 * 5/2003 Ikeuchi 455/90
2006/0135225 A1 * 6/2006 Lin et al. 455/575.3

OTHER PUBLICATIONS

Sony Ericsson TM506 telephone, announced Aug. 2008, [online], [site visited Sep. 23, 2008]. Available from Internet, <URL: <http://www.gsmarena.com>>.*

(Continued)

Primary Examiner—Jeffrey D Asch
(74) *Attorney, Agent, or Firm*—Renner, Otto, Boisselle & Sklar, LLP

(57) **CLAIM**

The ornamental design for a mobile phone, as shown and described.

DESCRIPTION

FIG. 1 is a front view of a mobile phone in a closed position showing my design;

FIG. 2 is a rear view thereof;

FIG. 3 is a perspective view thereof;

FIG. 4 is a right side view thereof;

FIG. 5 is a left side view thereof;

FIG. 6 is a top view thereof;

FIG. 7 is a bottom view thereof;

FIG. 8 is a front view of the mobile phone of FIG. 1 in an open position;

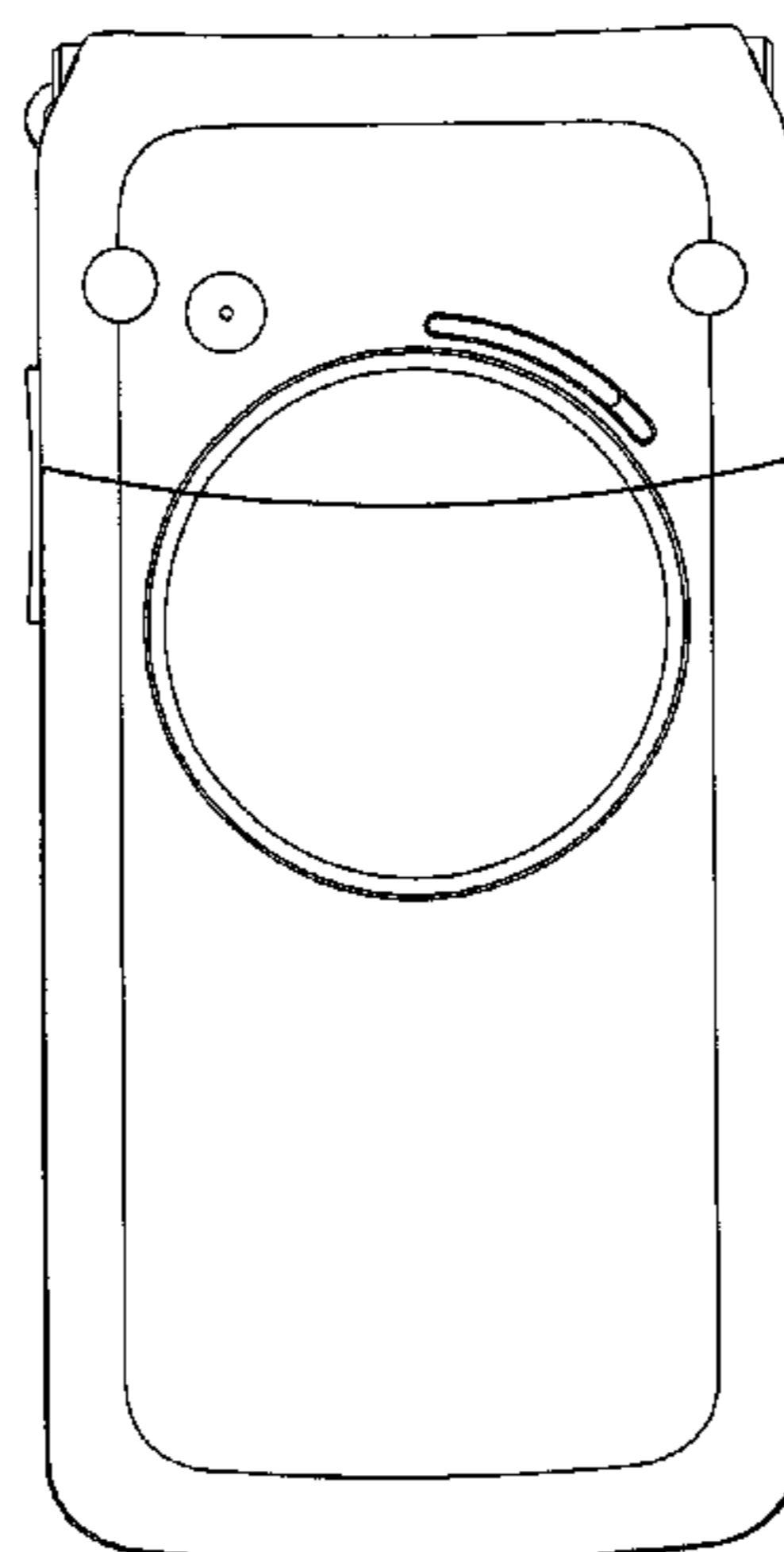
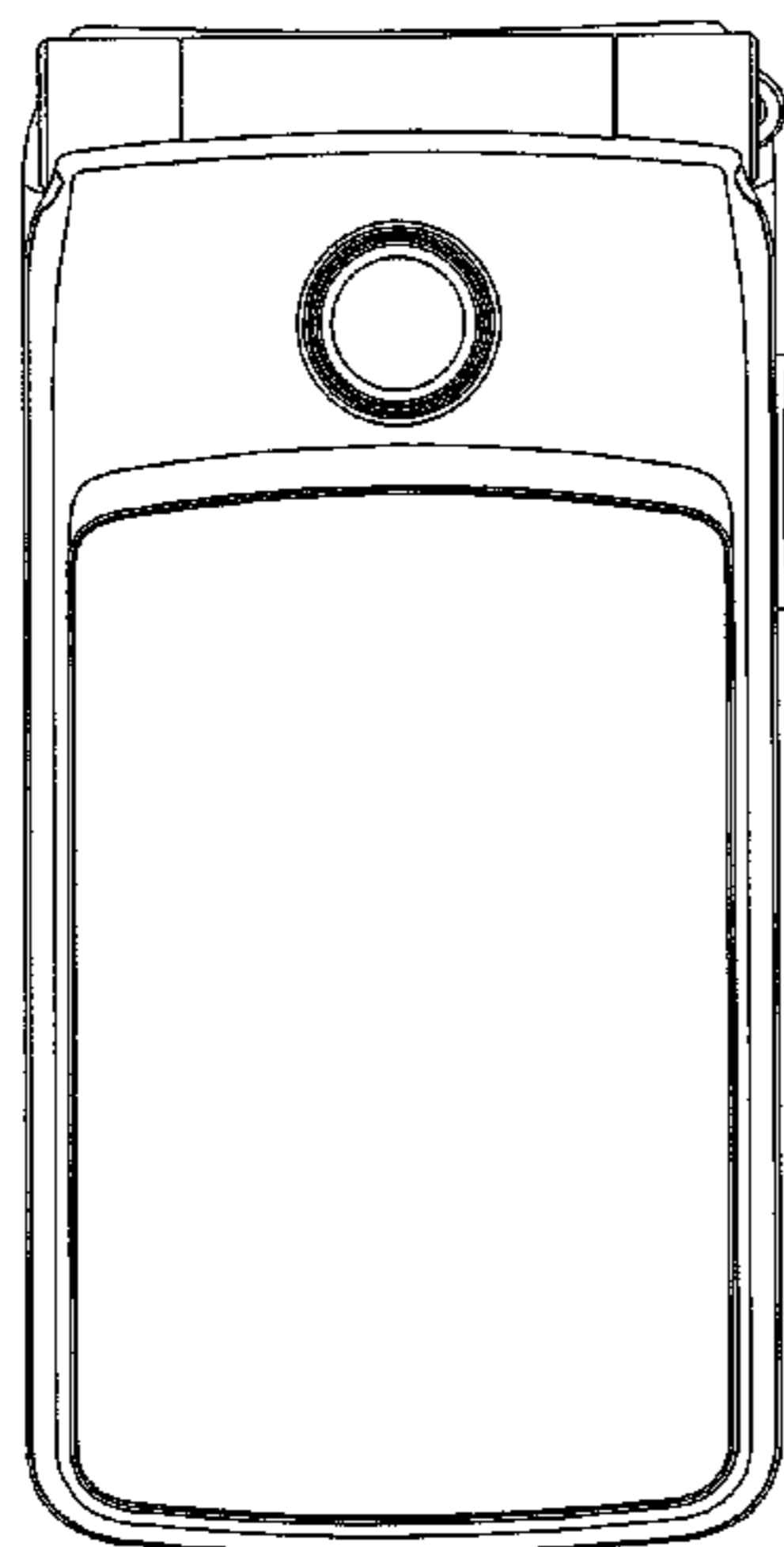
FIG. 9 is a rear view thereof;

FIG. 10 is a perspective view thereof;

FIG. 11 is a right side view thereof; and,

FIG. 12 is a left side view thereof.

1 Claim, 9 Drawing Sheets



OTHER PUBLICATIONS

Samsung E210 telephone, announced Aug. 2007, [online], [site visited Sep. 23, 2008]. Available from Internet , <URL: <http://www.gsmarena.com>>.*F

Sony Ericsson Z780 telephone, announced Apr. 2008, [online], [site visited Sep. 23, 2008]. Available from Internet , <URL: <http://www.gsmarena.com>>.*

Sony Ericsson Z770 telephone, announced Feb. 2008, [online], [site visited Sep. 23, 2008]. Available from Internet , <URL: <http://www.gsmarena.com>>.*

LG KF300 telephone, announced Apr. 2008, [online], [site visited Sep. 23, 2008]. Available from Internet , <URL: <http://www.gsmarena.com>>.*

BenQ E55 telephone, announced Jul. 2008, [online], [site visited Sep. 23, 2008]. Available from Internet , <URL: <http://www.gsmarena.com>>.*

Toshiba TS10 telephone, announced 3rd quarter 2005, [online], [site visited Sep. 23, 2008]. Available from Internet , <URL: <http://www.gsmarena.com>>.*

Panasonic VS6 telephone, announced 3rd quarter 2005, [online], [site visited Sep. 23, 2008]. Available from Internet , <URL: <http://www.gsmarena.com>>.*

* cited by examiner

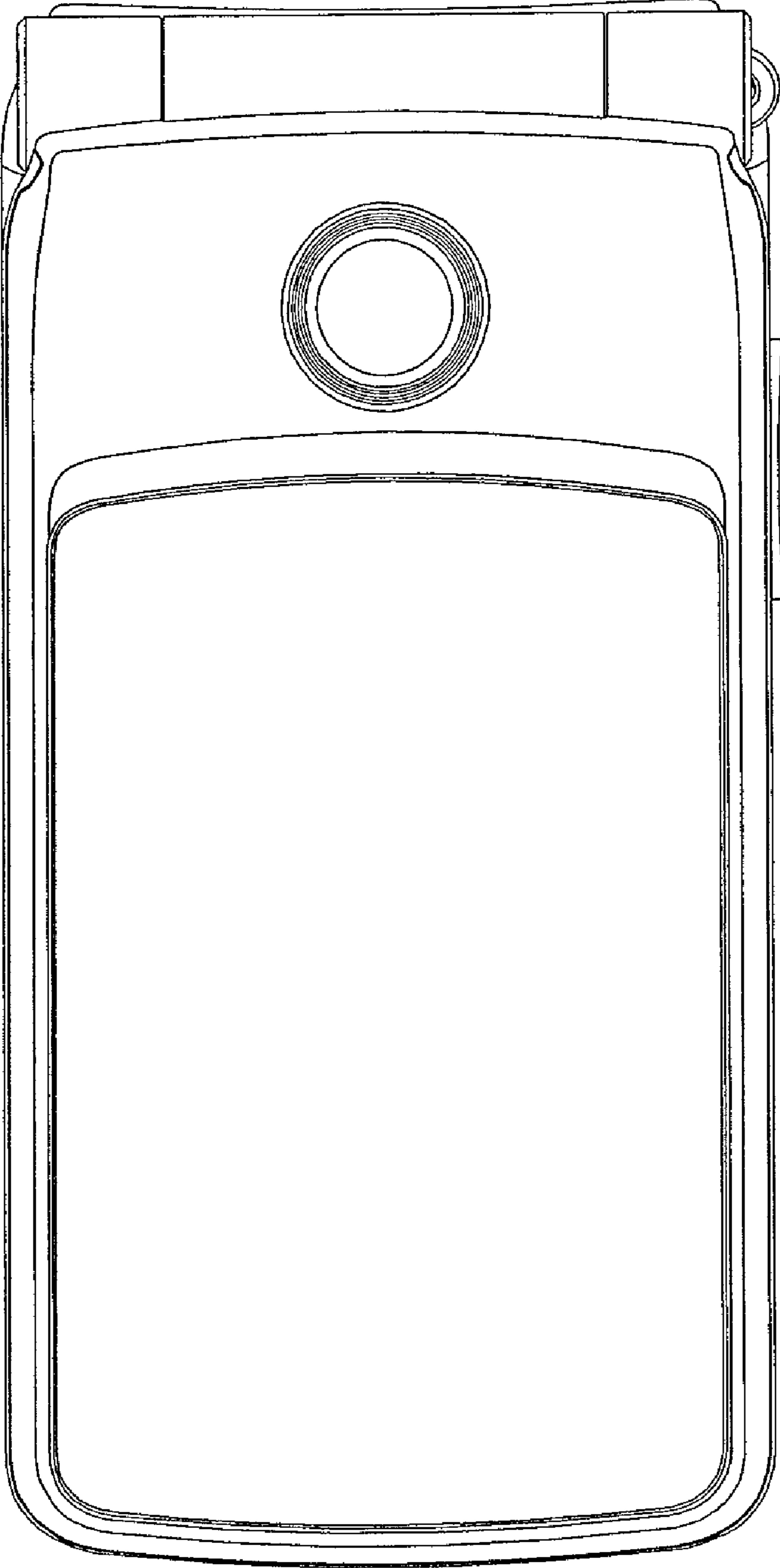


FIG. 1

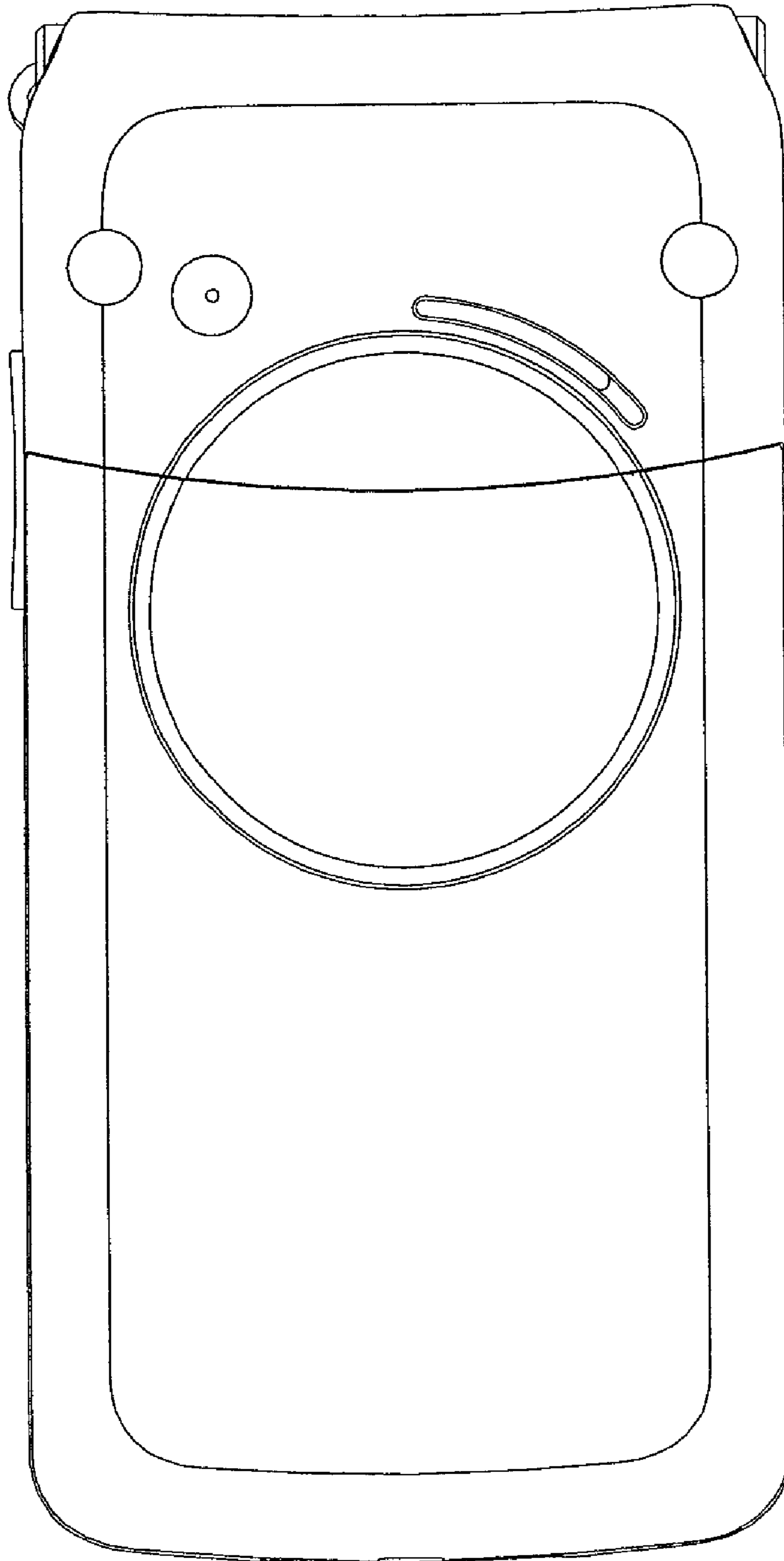


FIG. 2

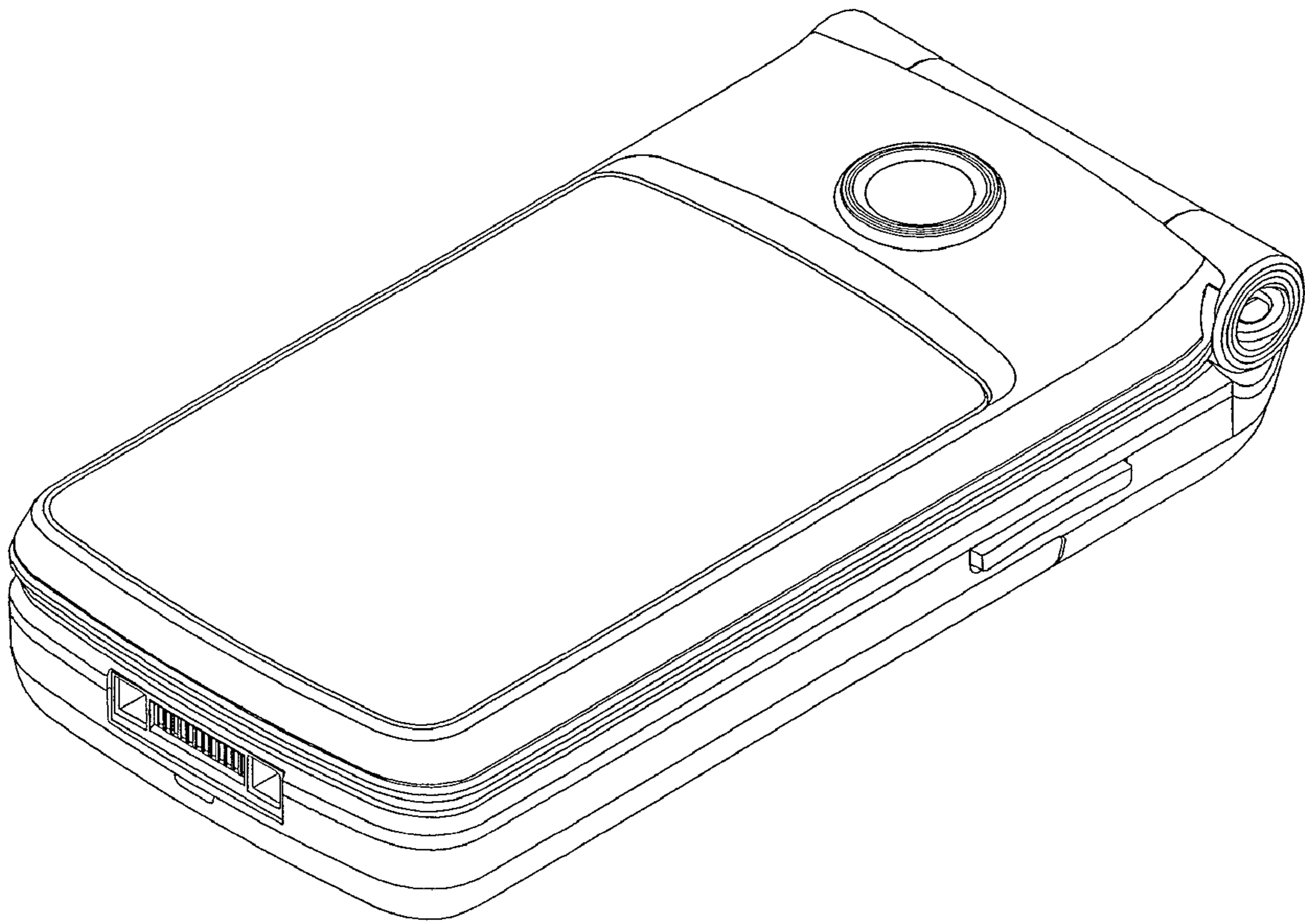


FIG. 3

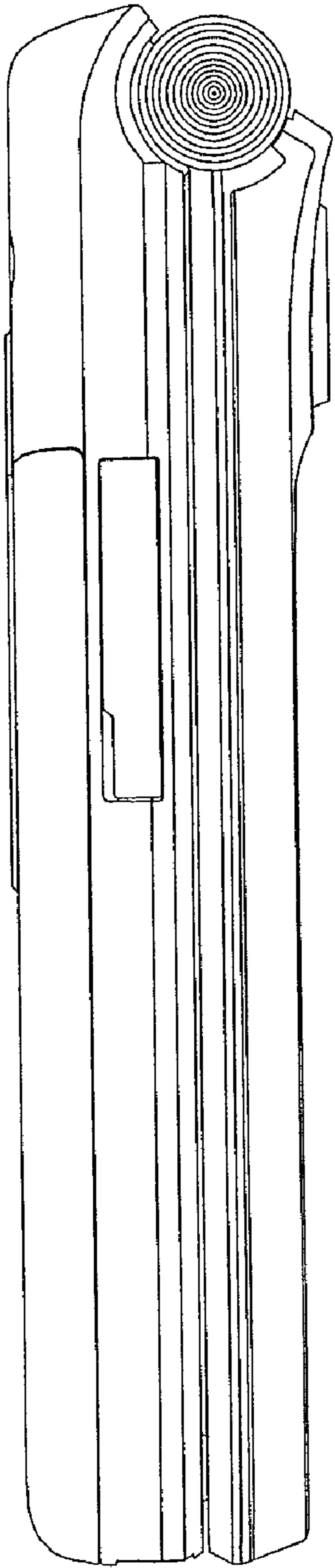


FIG. 5

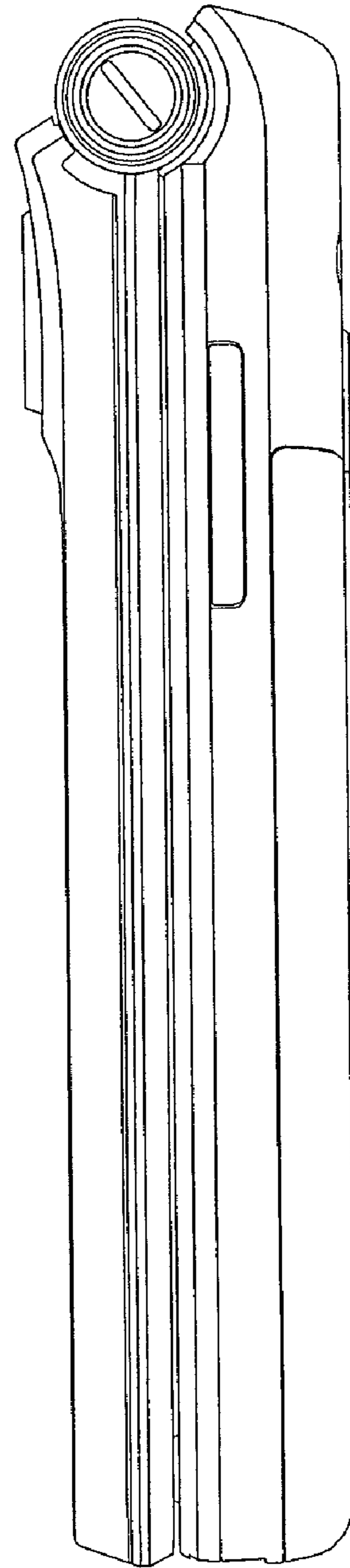


FIG. 4

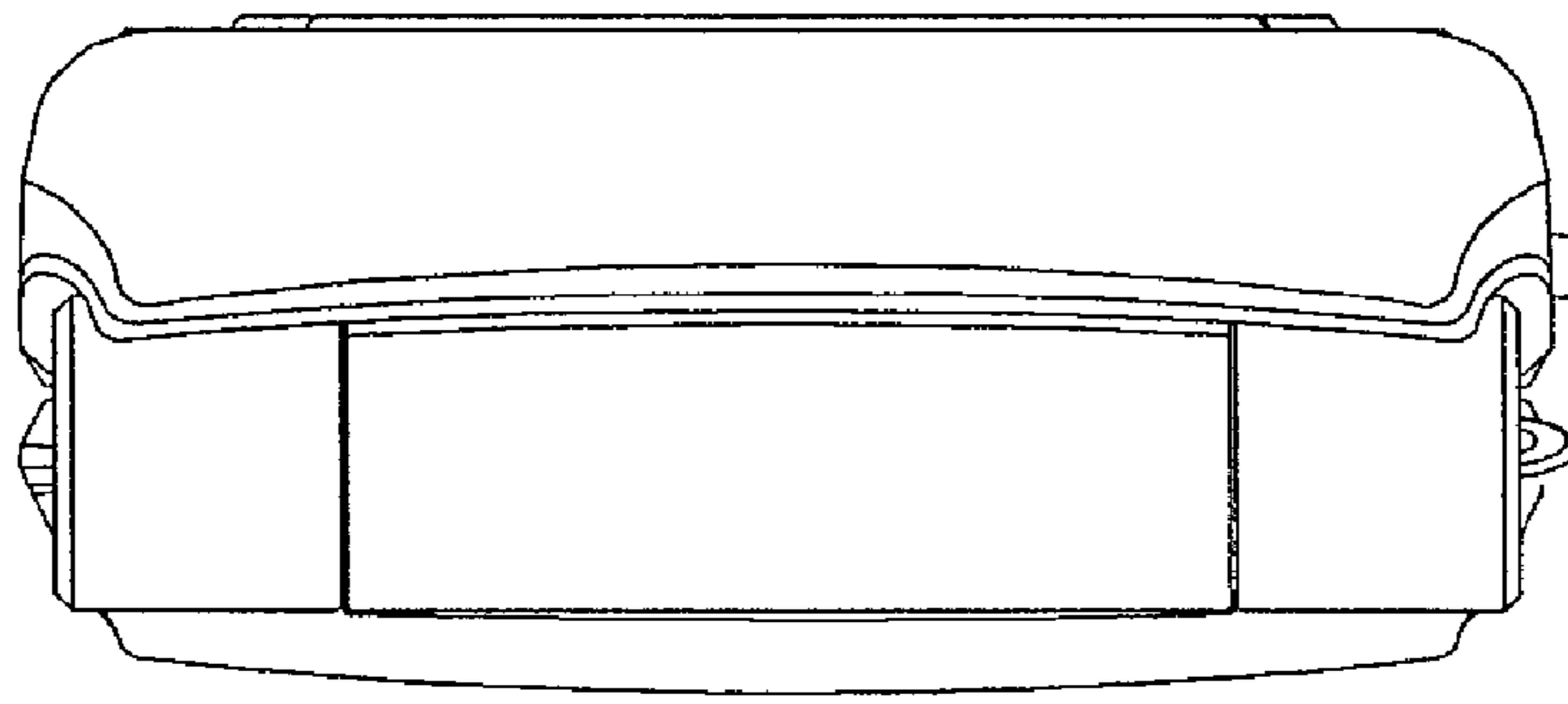


FIG. 6

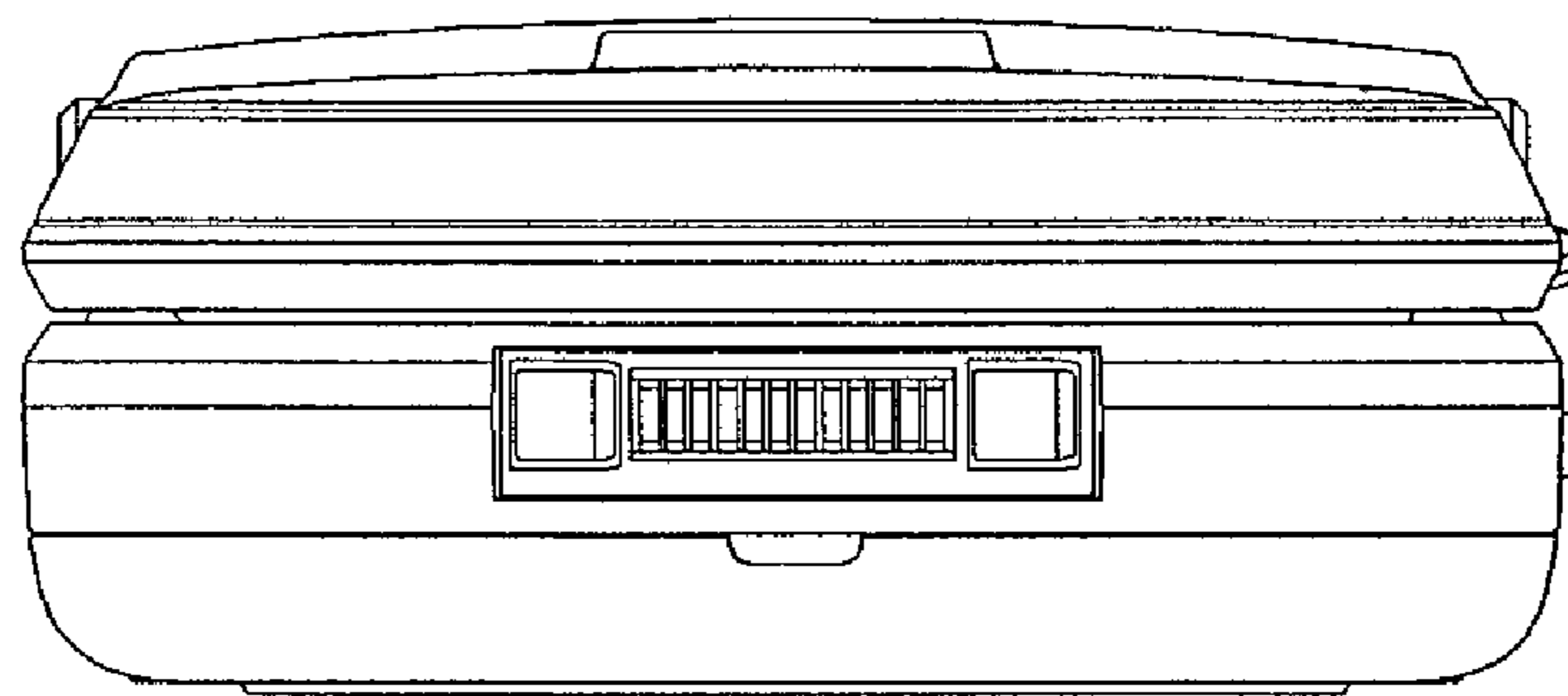


FIG. 7

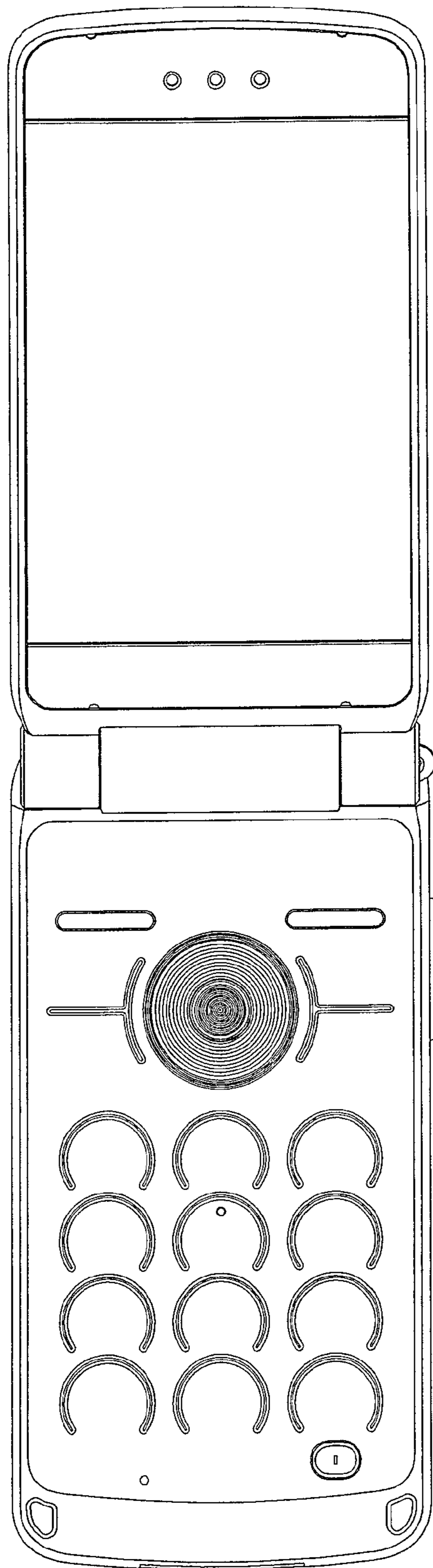


FIG. 8

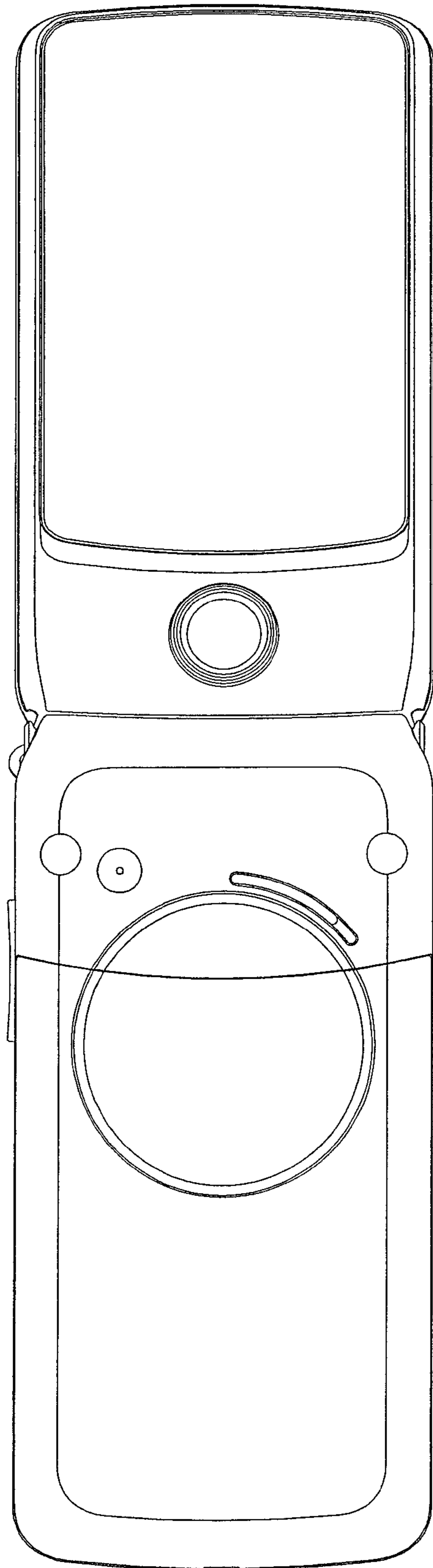


FIG. 9

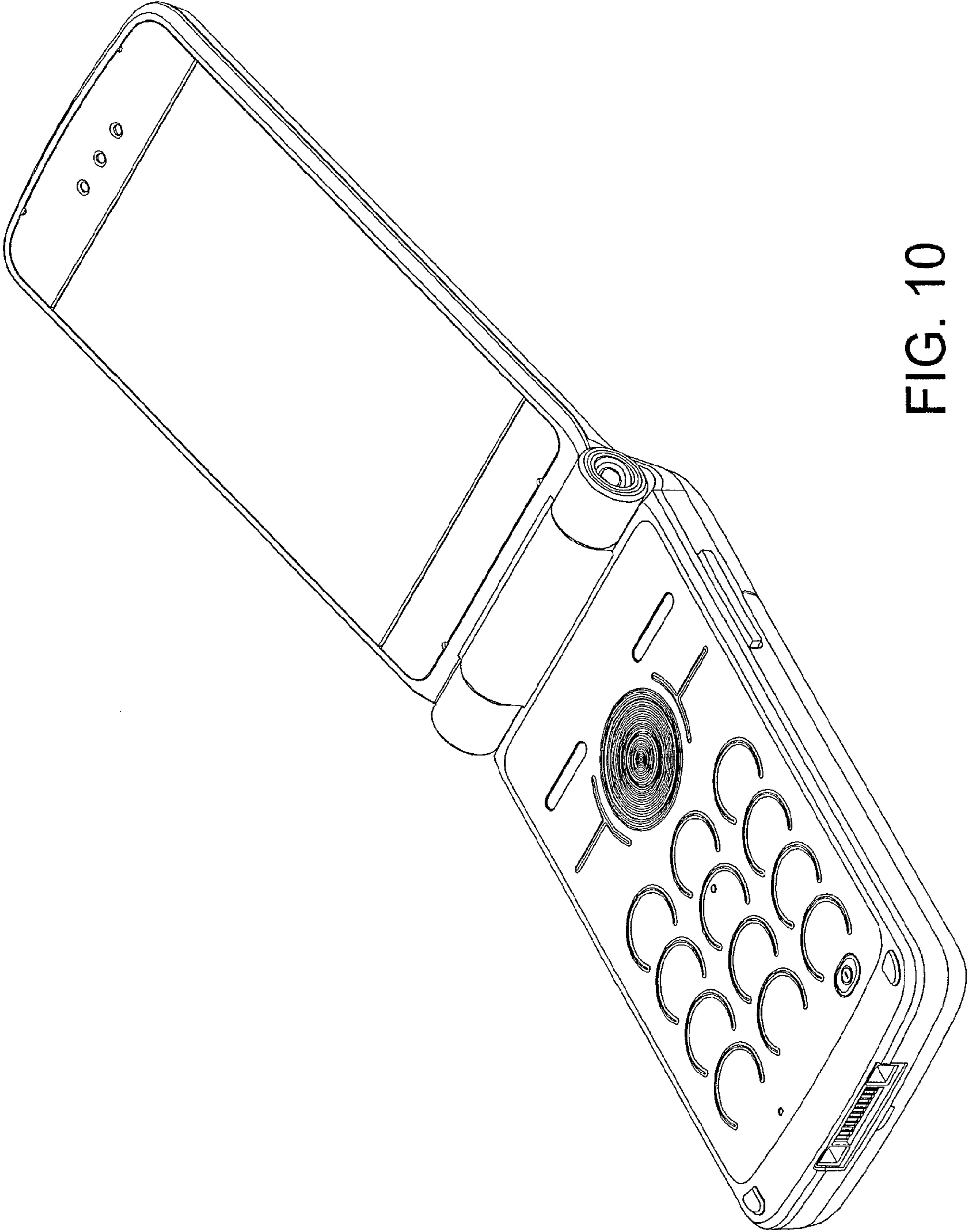


FIG. 10

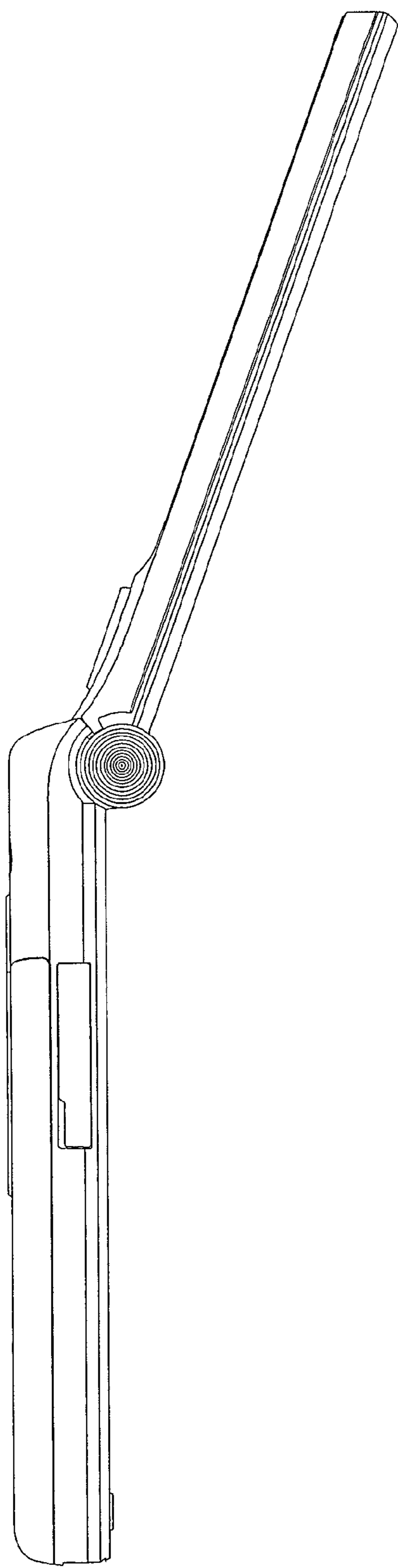


FIG. 12

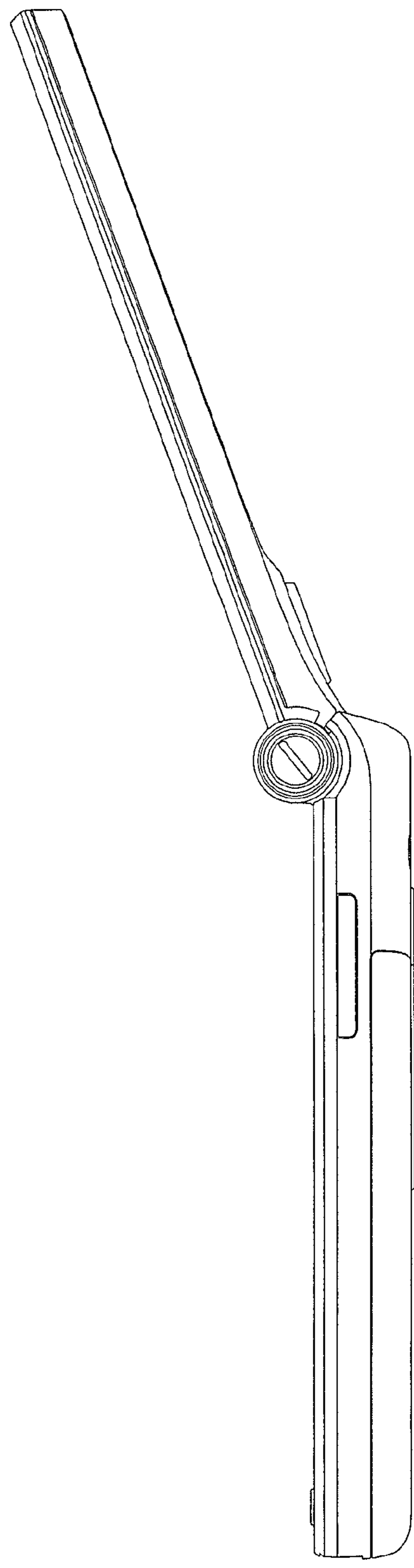


FIG. 11