



US00D586308S

(12) **United States Design Patent**
Ishizaki

(10) **Patent No.:** **US D586,308 S**
(45) **Date of Patent:** **** Feb. 10, 2009**

- (54) **DIGITAL VIDEO DISK PLAYER**
- (75) Inventor: **Hideaki Ishizaki**, Tokyo (JP)
- (73) Assignee: **Pioneer Kabushiki Kaisha**, Tokyo (JP)
- (**) Term: **14 Years**
- (21) Appl. No.: **29/300,280**
- (22) Filed: **Mar. 7, 2008**
- (30) **Foreign Application Priority Data**
Oct. 29, 2007 (JP) 2007-029621
- (51) **LOC (9) Cl.** **14-01**
- (52) **U.S. Cl.** **D14/136; D14/157**
- (58) **Field of Classification Search** D14/135-136,
D14/156-157, 167-168, 198, 188, 217, 257,
D14/258, 445; 360/99.02, 99.07; 369/75.11,
369/75.21, 77.21, 77.11; 720/612, 619, 647,
720/655; 455/344, 347-351
See application file for complete search history.

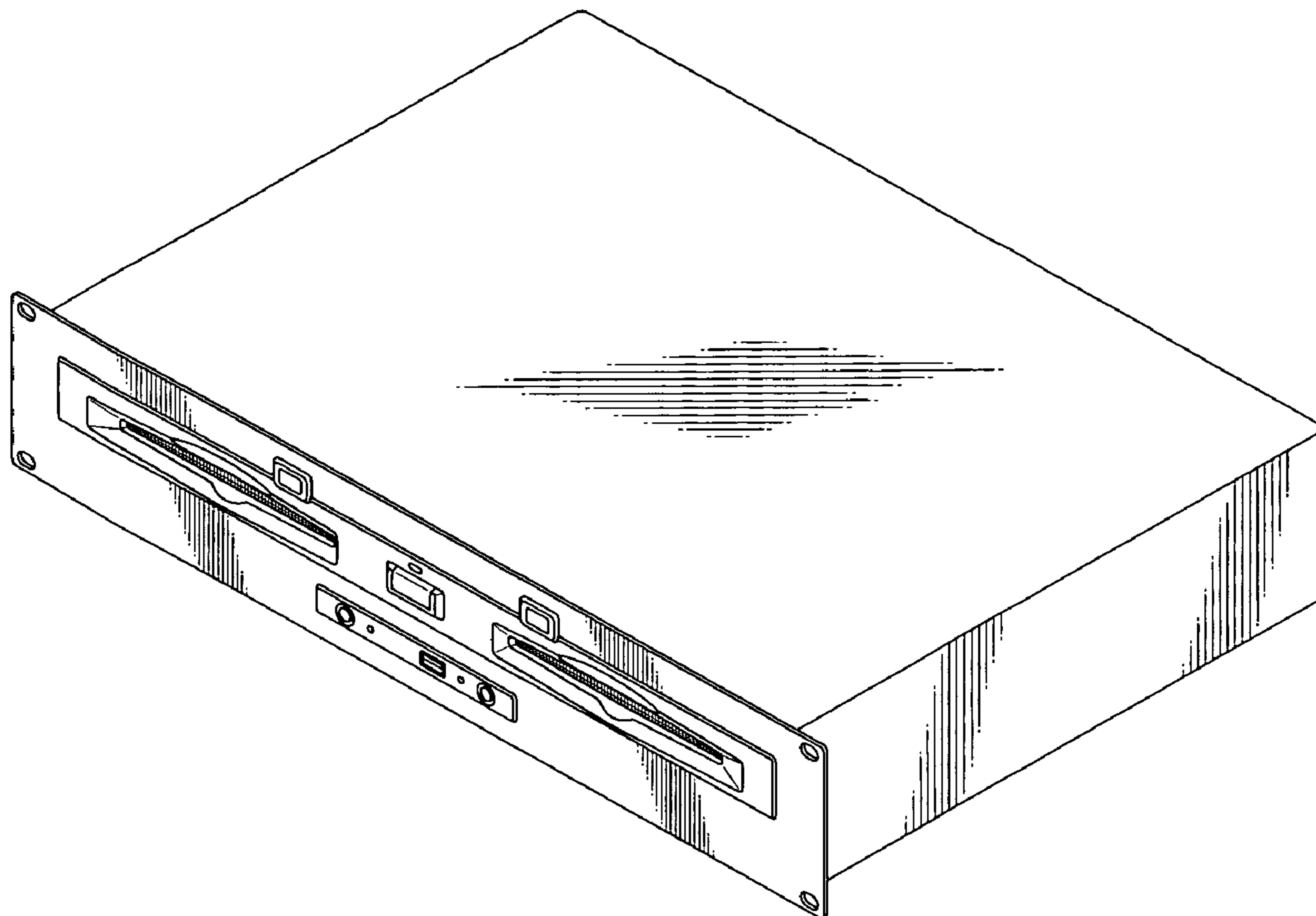
- (56) **References Cited**
U.S. PATENT DOCUMENTS
5,859,828 A * 1/1999 Ishibashi 720/655
D421,260 S * 2/2000 Hyogo D14/167

D518,456 S * 4/2006 Sonoda D14/136
FOREIGN PATENT DOCUMENTS
JP D1087040 10/2000
OTHER PUBLICATIONS
“DJ-CD Player/DJ Mixer/Effector;” published Sep. 2000; Pioneer; Japan.
“The Professional DVD Player DVJ-X1;” published Jul. 2004; Pioneer; Japan.
“Pioneer Pro DJ Series;” published Dec. 2003; Pioneer; Japan.
* cited by examiner
Primary Examiner—Nanda Bondade
(74) *Attorney, Agent, or Firm*—Oliff & Berridge, PLC

(57) **CLAIM**
The ornamental design for a digital video disk player, as shown and described.

DESCRIPTION
FIG. 1 is a perspective view of a digital video disk player;
FIG. 2 is a front view thereof;
FIG. 3 is a rear view thereof;
FIG. 4 is a left-side view thereof;
FIG. 5 is a right-side view thereof;
FIG. 6 is a plan view thereof; and,
FIG. 7 is a bottom view thereof.

1 Claim, 3 Drawing Sheets



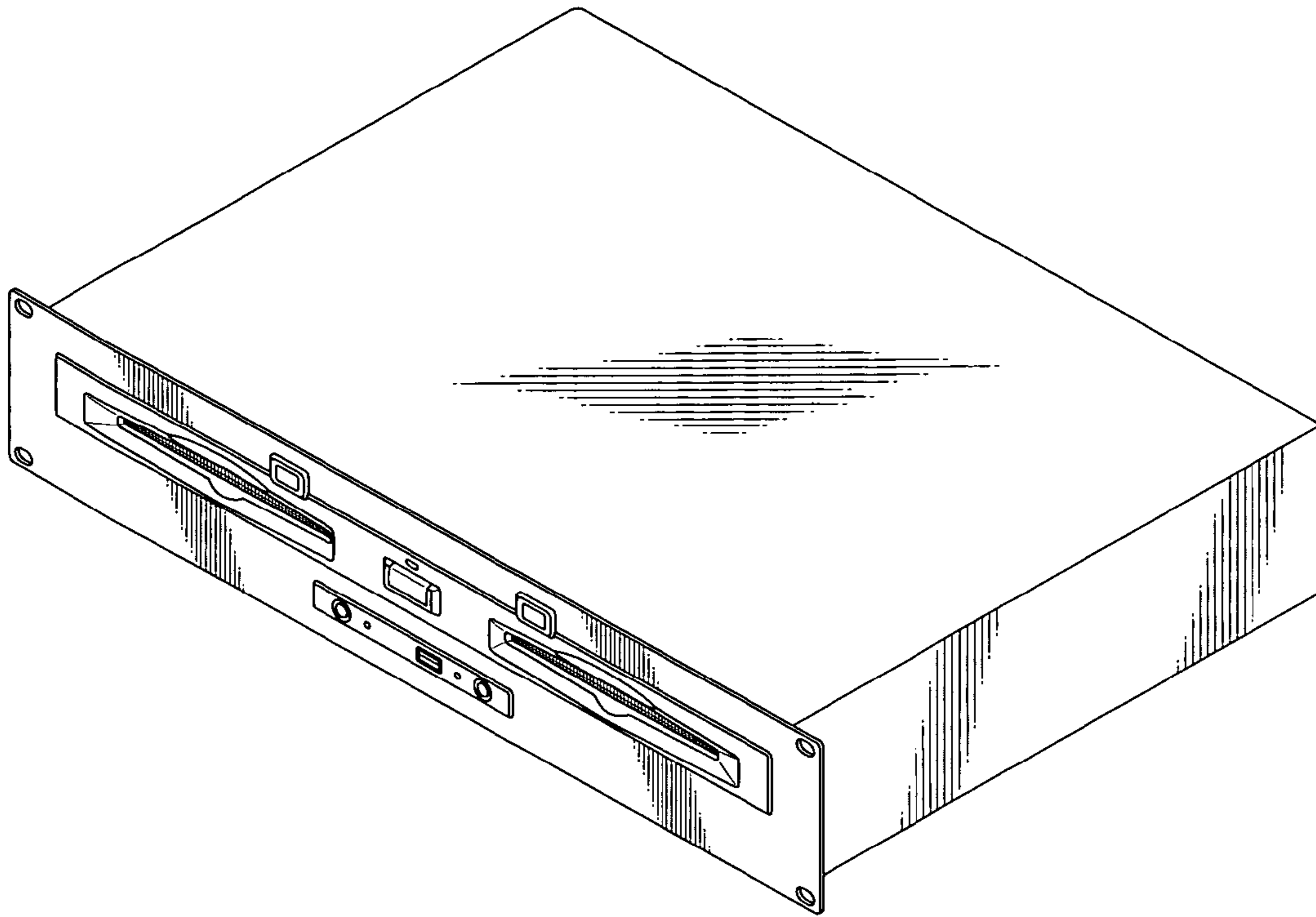


FIG. 1

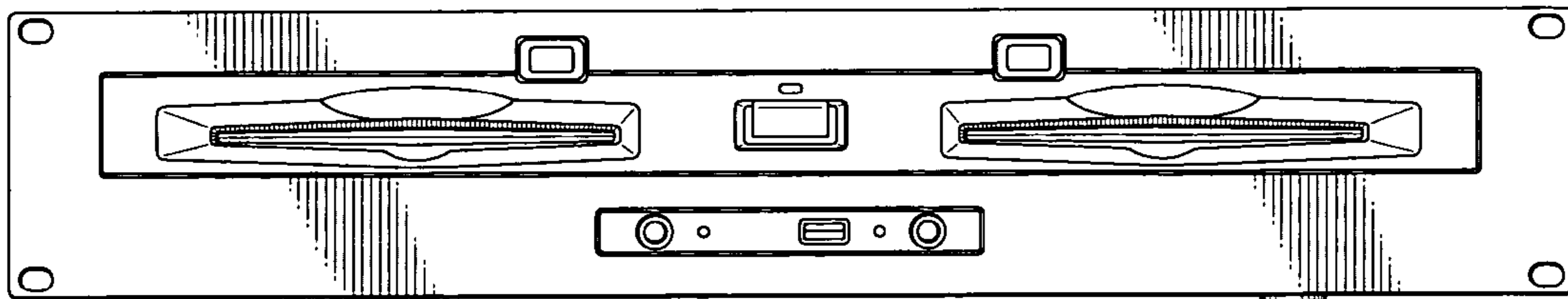


FIG. 2

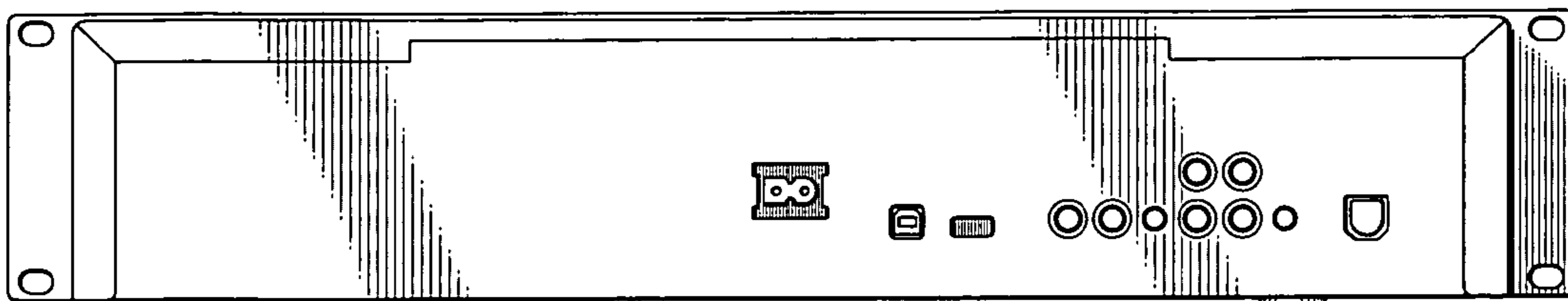


FIG. 3

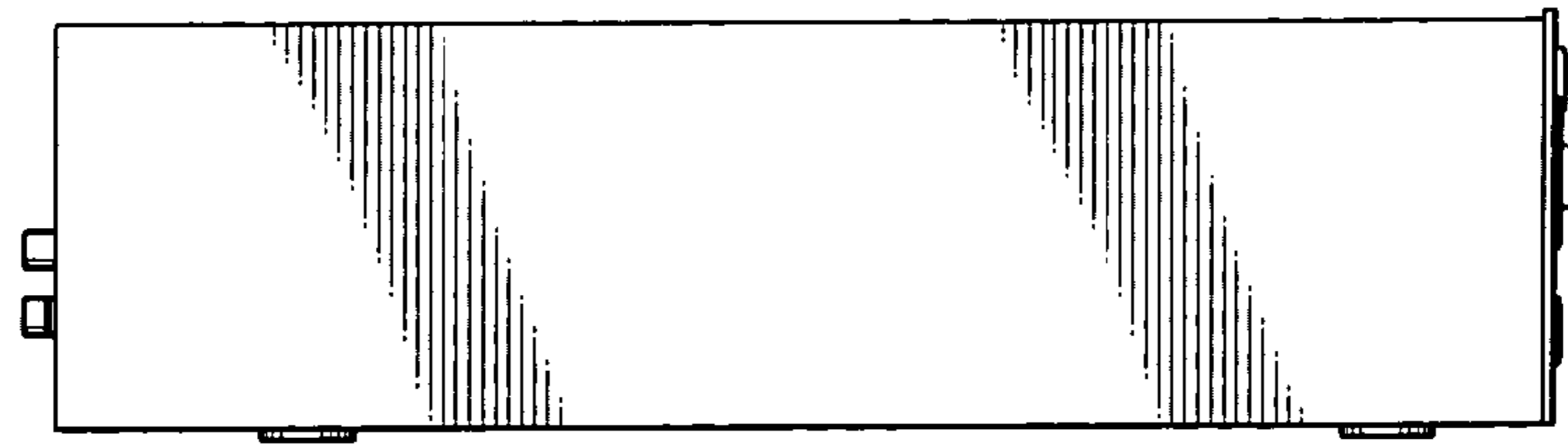


FIG. 4

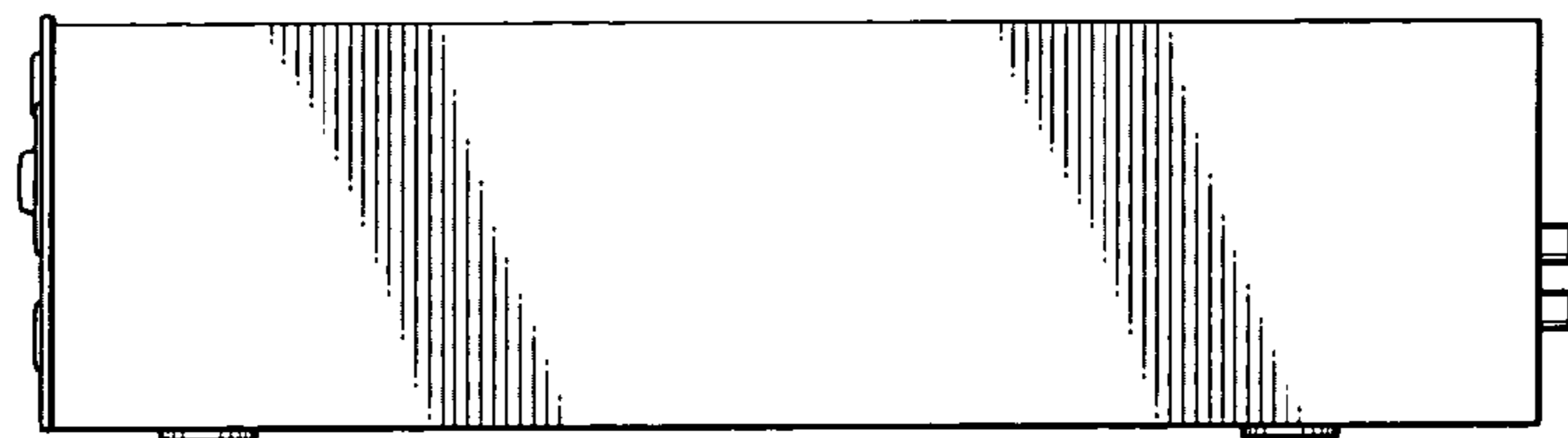


FIG. 5

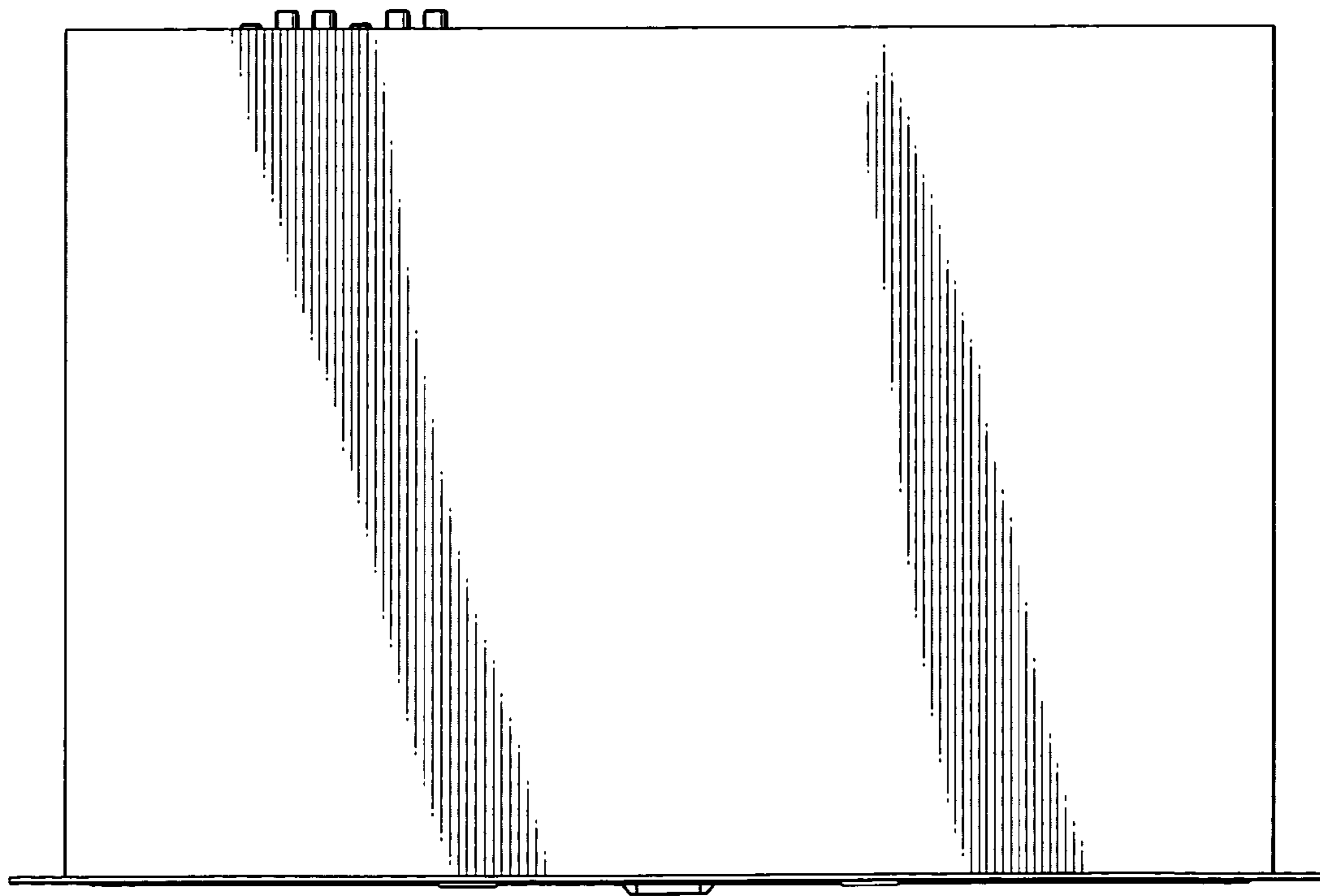


FIG. 6

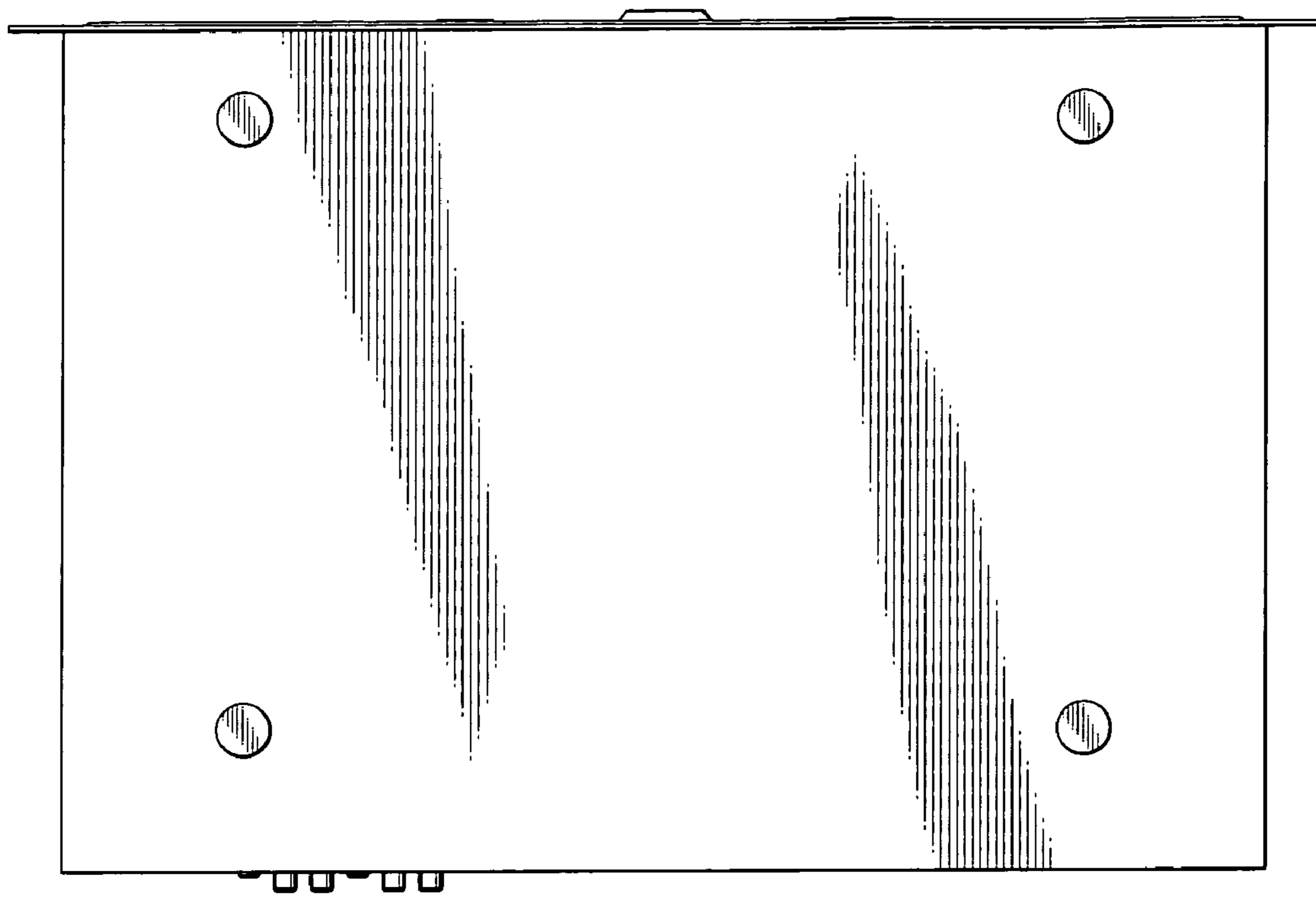


FIG. 7