



US00D586307S

(12) **United States Design Patent**
Chu

(10) **Patent No.:** **US D586,307 S**

(45) **Date of Patent:** **** Feb. 10, 2009**

(54) **TELEVISION SET**

(75) Inventor: **Chih-Ming Chu**, Taipei (TW)

(73) Assignee: **Hannspree Inc.**, Taipei (TW)

(**) Term: **14 Years**

(21) Appl. No.: **29/264,549**

(22) Filed: **Aug. 14, 2006**

(30) **Foreign Application Priority Data**

Jun. 30, 2006 (TW) 95303647

(51) **LOC (9) Cl.** **14-03**

(52) **U.S. Cl.** **D14/134**; D14/126

(58) **Field of Classification Search** D14/125-134,
D14/239, 371, 136, 374-377, 440, 450, 448,
D14/336, 342; 312/7.2; 348/836, 838, 180,
348/184, 325, 739; 341/12; 248/917-924,
248/465; 345/104, 133, 156, 168, 87, 173;
720/605, 669, 600, 655; 369/99, 197; 455/344,
455/347; D21/329, 515, 577, 622, 333, 433,
D21/448, 452, 450, 331; D6/477, 479; 273/148 B;
446/484, 175, 356; D10/15, 26

See application file for complete search history.

(56) **References Cited**

U.S. PATENT DOCUMENTS

D473,867 S * 4/2003 Lin D14/371

D497,363 S * 10/2004 Olson et al. D14/371
D524,772 S * 7/2006 Reza D14/126
D526,285 S * 8/2006 Voegel D14/126
D533,151 S * 12/2006 Wilson D14/126
D536,310 S * 2/2007 Kao D14/126
D540,758 S * 4/2007 Macey et al. D16/134
D543,520 S * 5/2007 Chiu D14/126
D558,699 S * 1/2008 Hoehn D14/126
D560,626 S * 1/2008 Lee D14/126

* cited by examiner

Primary Examiner—Raphael Barkai

(74) *Attorney, Agent, or Firm*—Ming Chow; Sinorica, LLC

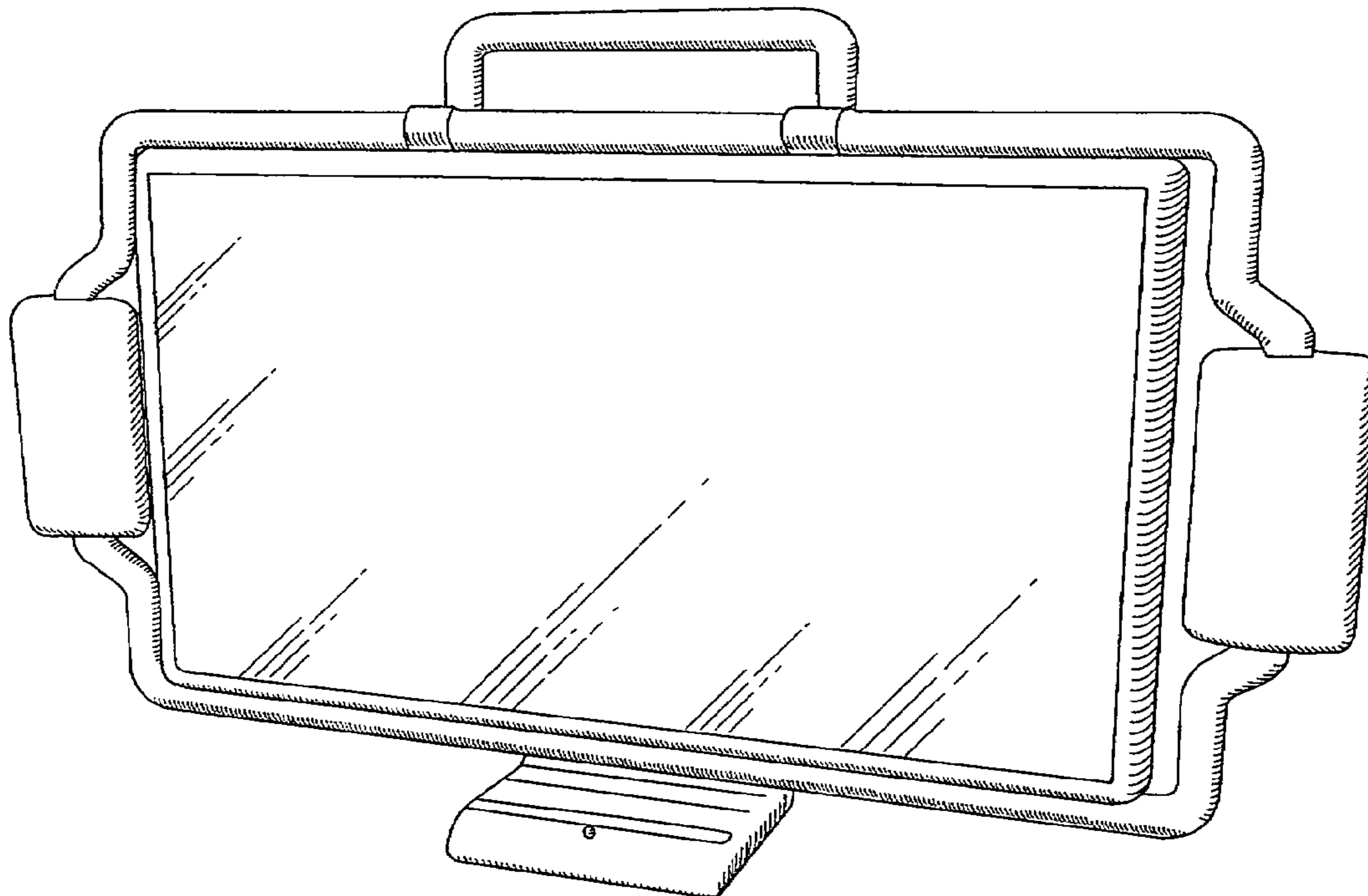
(57) **CLAIM**

The ornamental design for a television set, as shown and described.

DESCRIPTION

FIG. 1. is a perspective view thereof;
FIG. 2. is a front elevational view thereof;
FIG. 3. is a rear elevational view thereof;
FIG. 4. is a left side elevational view thereof;
FIG. 5. is a right side elevational view thereof;
FIG. 6. is a top plan view thereof; and,
FIG. 7. is a bottom plan view thereof.

1 Claim, 7 Drawing Sheets



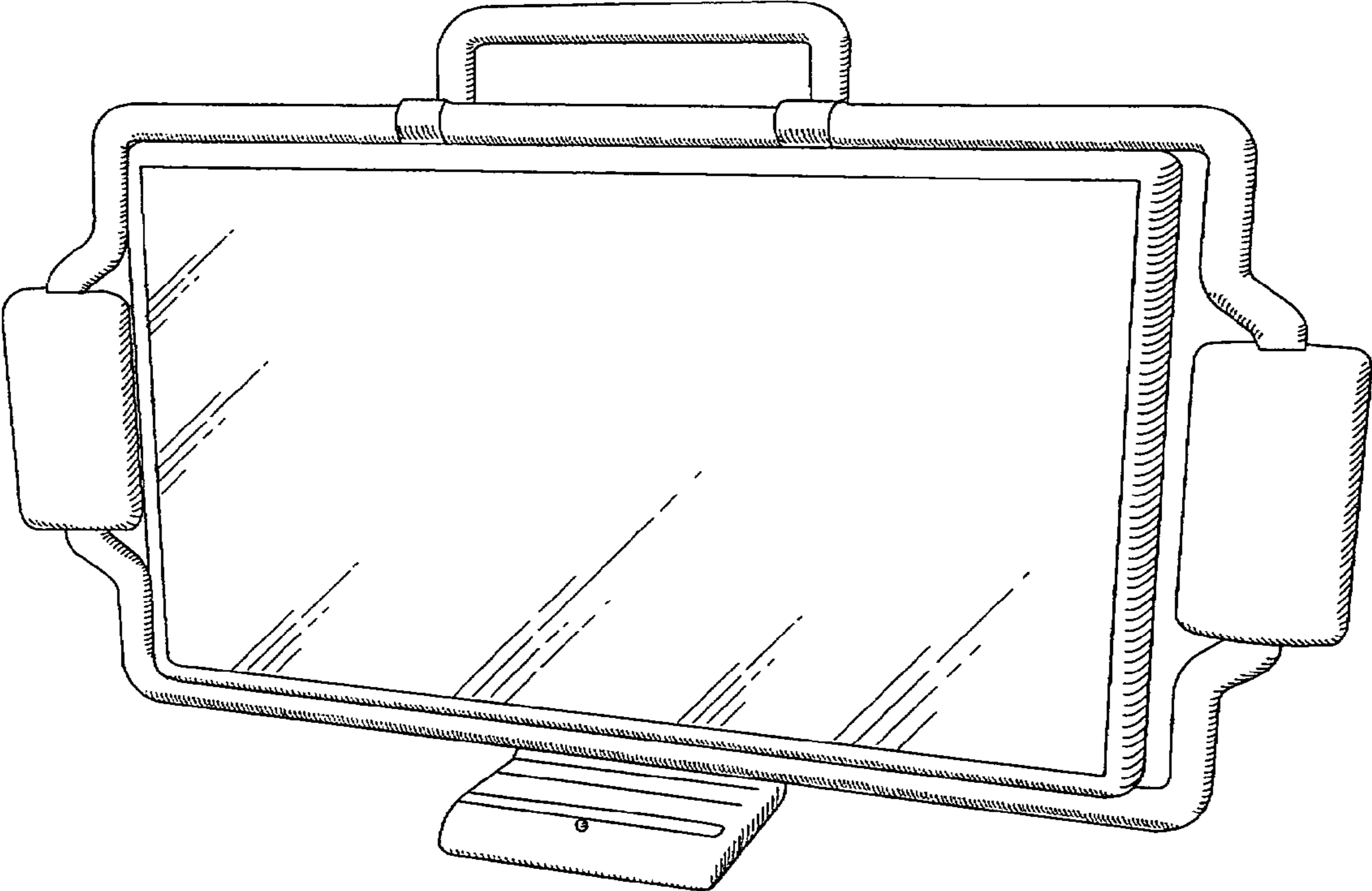


FIG 1

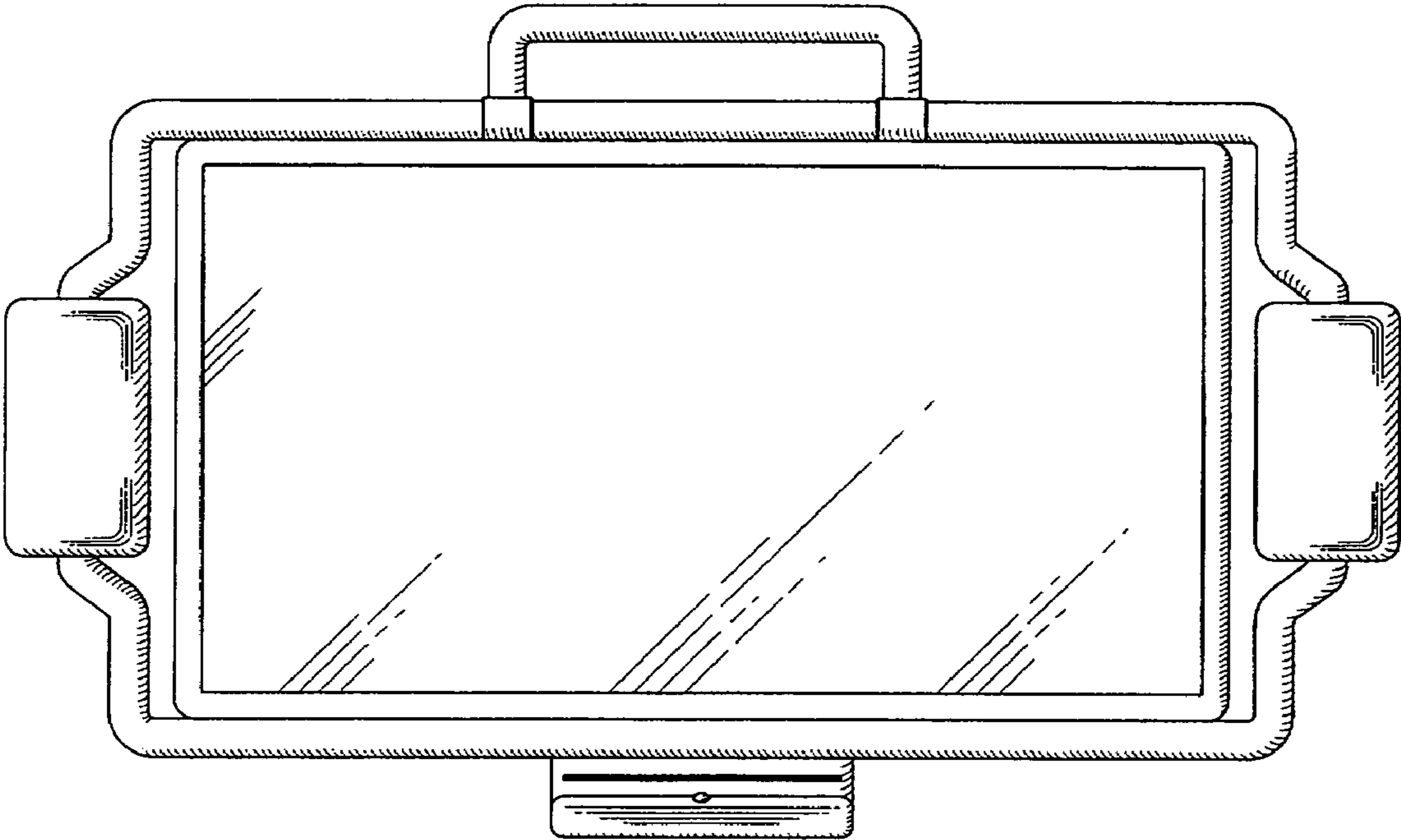


FIG. 2

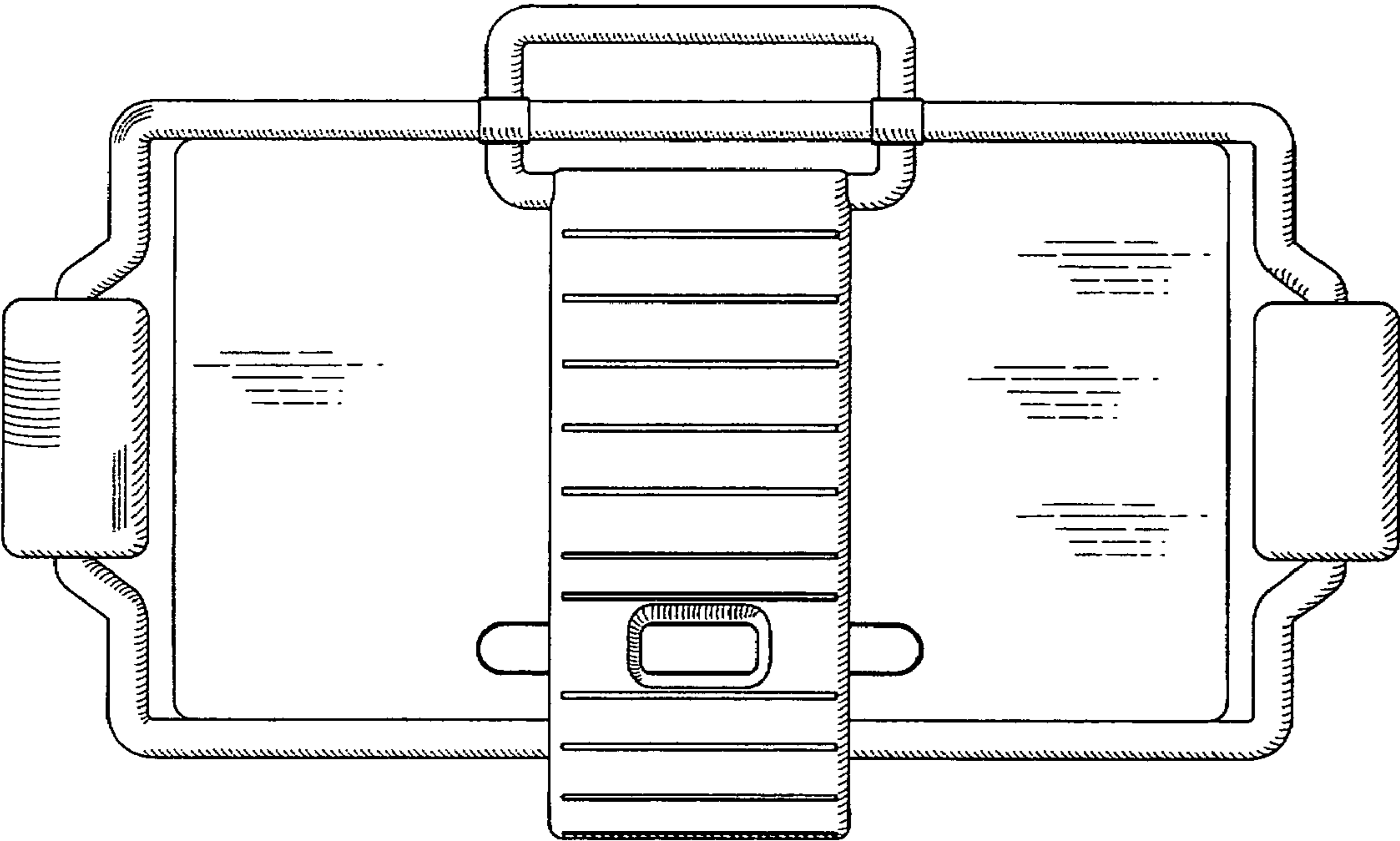


FIG. 3

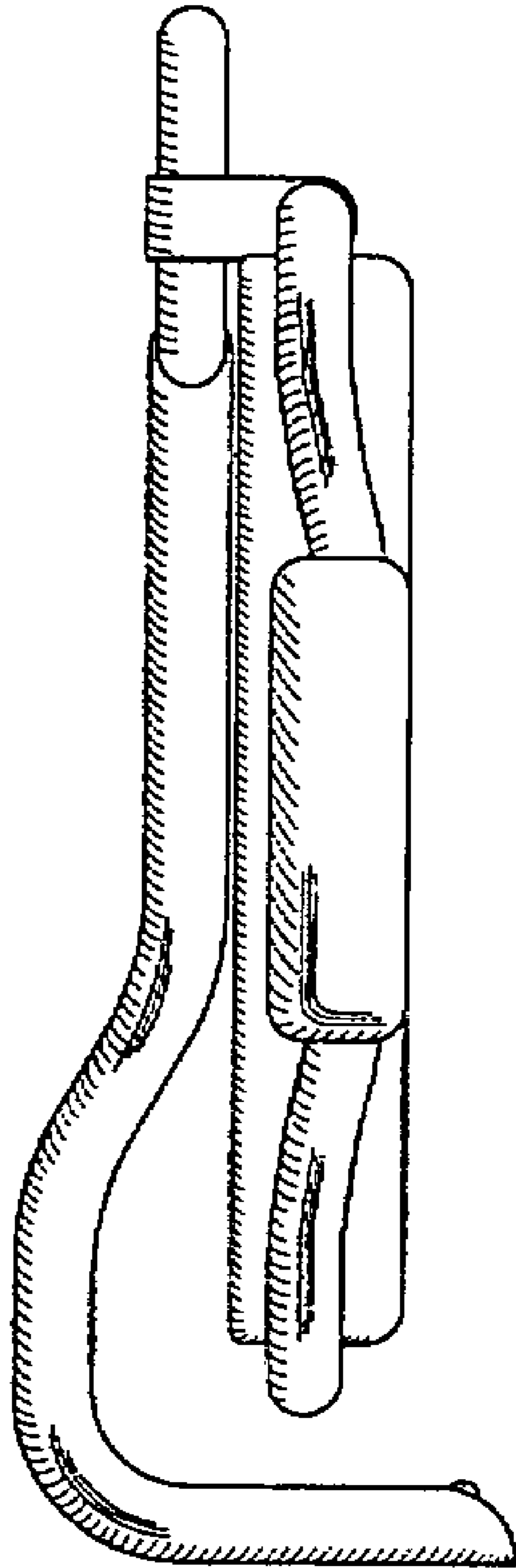


FIG. 4

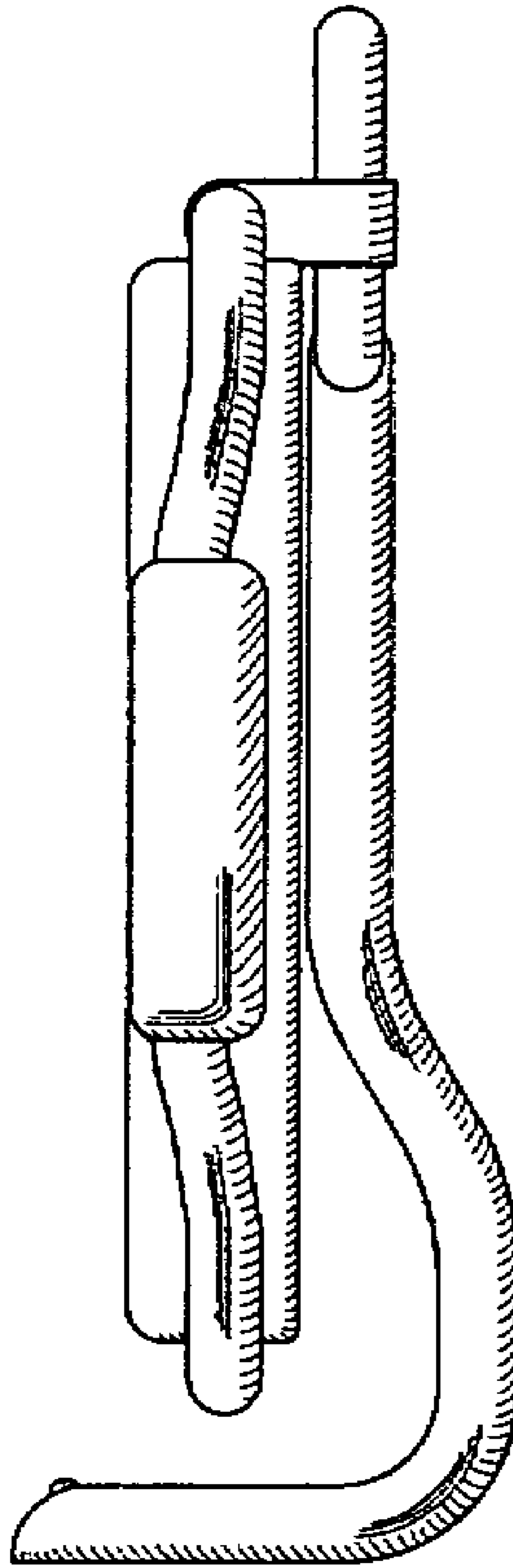


FIG. 5

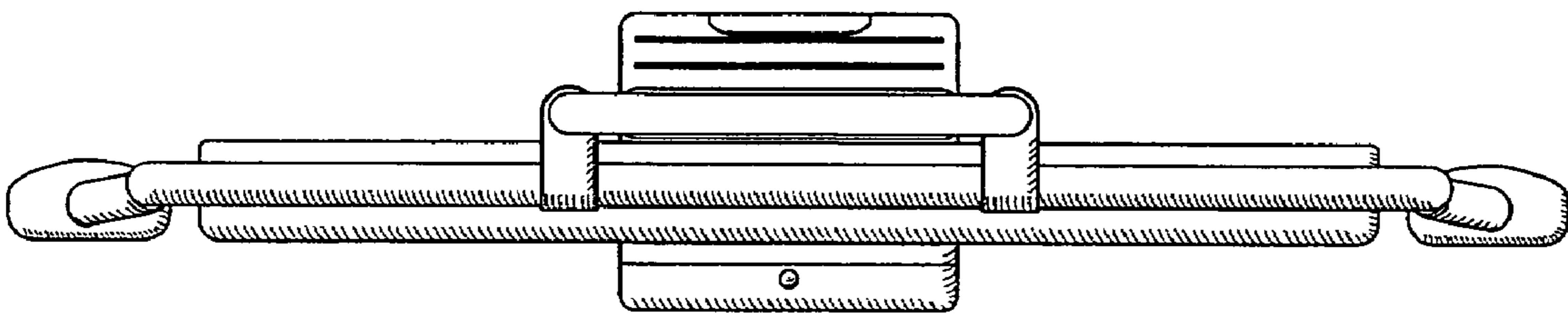


FIG. 6

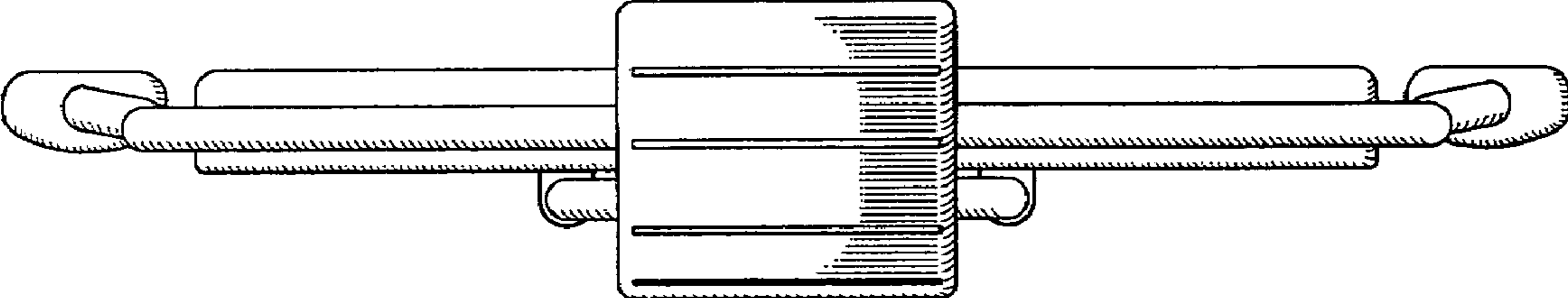


FIG. 7