

US00D586306S

(12) **United States Design Patent**
Isshiki

(10) **Patent No.:** **US D586,306 S**
(45) **Date of Patent:** **** Feb. 10, 2009**

- (54) **TELEVISION RECEIVER**
- (75) Inventor: **Masao Isshiki**, Kanagawa-ken (JP)
- (73) Assignee: **Kabushiki Kaisha Toshiba**, Tokyo (JP)
- (**) Term: **14 Years**
- (21) Appl. No.: **29/317,466**
- (22) Filed: **Apr. 30, 2008**
- (51) **LOC (9) Cl.** **14-03**
- (52) **U.S. Cl.** **D14/126**
- (58) **Field of Classification Search** D14/125-134,
D14/239, 371, 136, 374-377, 440, 450, 448,
D14/336, 342; 312/7.2; 348/836, 838, 180,
348/184, 325, 739; 341/12; 248/917-924,
248/465; 345/104, 133, 156, 168, 87, 173;
720/605, 669, 600, 655; 369/99, 197; 455/344,
455/347; D21/329, 515, 577, 622, 333, 433,
D21/448, 452, 450, 331; D6/477, 479; 273/148 B;
446/484, 175, 356; D10/15, 26
See application file for complete search history.

- D556,706 S 12/2007 Niitsu et al.
- D556,709 S 12/2007 Kim et al.
- D557,227 S 12/2007 Isshiki
- D561,135 S 2/2008 Won et al.
- D562,276 S 2/2008 Kim et al.
- D562,784 S * 2/2008 Asanuma et al. D14/126
- D562,788 S 2/2008 Asanuma et al.
- D564,472 S 3/2008 Won et al.
- D565,521 S 4/2008 Yang et al.
- D567,198 S 4/2008 Yang et al.
- D567,199 S 4/2008 Kim et al.
- D572,684 S * 7/2008 Suzuki et al. D14/126
- D574,341 S * 8/2008 Kuramashi et al. D14/126
- D576,122 S * 9/2008 Suzuki et al. D14/126

FOREIGN PATENT DOCUMENTS

- CN 300684477D 8/2007
- KR 30-0447201 4/2007

* cited by examiner

Primary Examiner—Raphael Barkai
(74) *Attorney, Agent, or Firm*—Banner & Witcoff, Ltd.

(57) **CLAIM**

The ornamental design for a television receiver, as shown and described.

DESCRIPTION

FIG. 1 is a top, front and right side perspective view of a television receiver showing my new design,
FIG. 2 is a front elevational view thereof,
FIG. 3 is a top plan view thereof,
FIG. 4 is a bottom plan view thereof,
FIG. 5 is a left side elevational view thereof,
FIG. 6 is a right side elevational view thereof; and,
FIG. 7 is a rear elevational view thereof.

The broken line showing of the remainder of the television receiver is for illustrative purposes only and forms no part of the claimed design.

1 Claim, 3 Drawing Sheets

(56) **References Cited**

U.S. PATENT DOCUMENTS

- D423,477 S * 4/2000 Usui D14/375
- D460,426 S * 7/2002 Sugiyama et al. D14/126
- D500,991 S 1/2005 Niitsu
- D510,730 S 10/2005 Asanuma et al.
- D534,878 S 1/2007 Ellison
- D543,163 S 5/2007 Yang et al.
- D543,164 S 5/2007 Yang et al.
- D543,517 S 5/2007 Chikuma et al.
- D545,315 S 6/2007 Kim
- D545,316 S 6/2007 Kim
- D546,299 S 7/2007 Honda et al.
- D546,304 S 7/2007 Kim et al.
- D546,788 S 7/2007 Isshiki
- D550,176 S * 9/2007 Asanuma et al. D14/126
- D551,186 S 9/2007 Yang et al.
- D553,587 S 10/2007 Kim et al.
- D553,592 S 10/2007 Asanuma
- D556,160 S 11/2007 Lee et al.

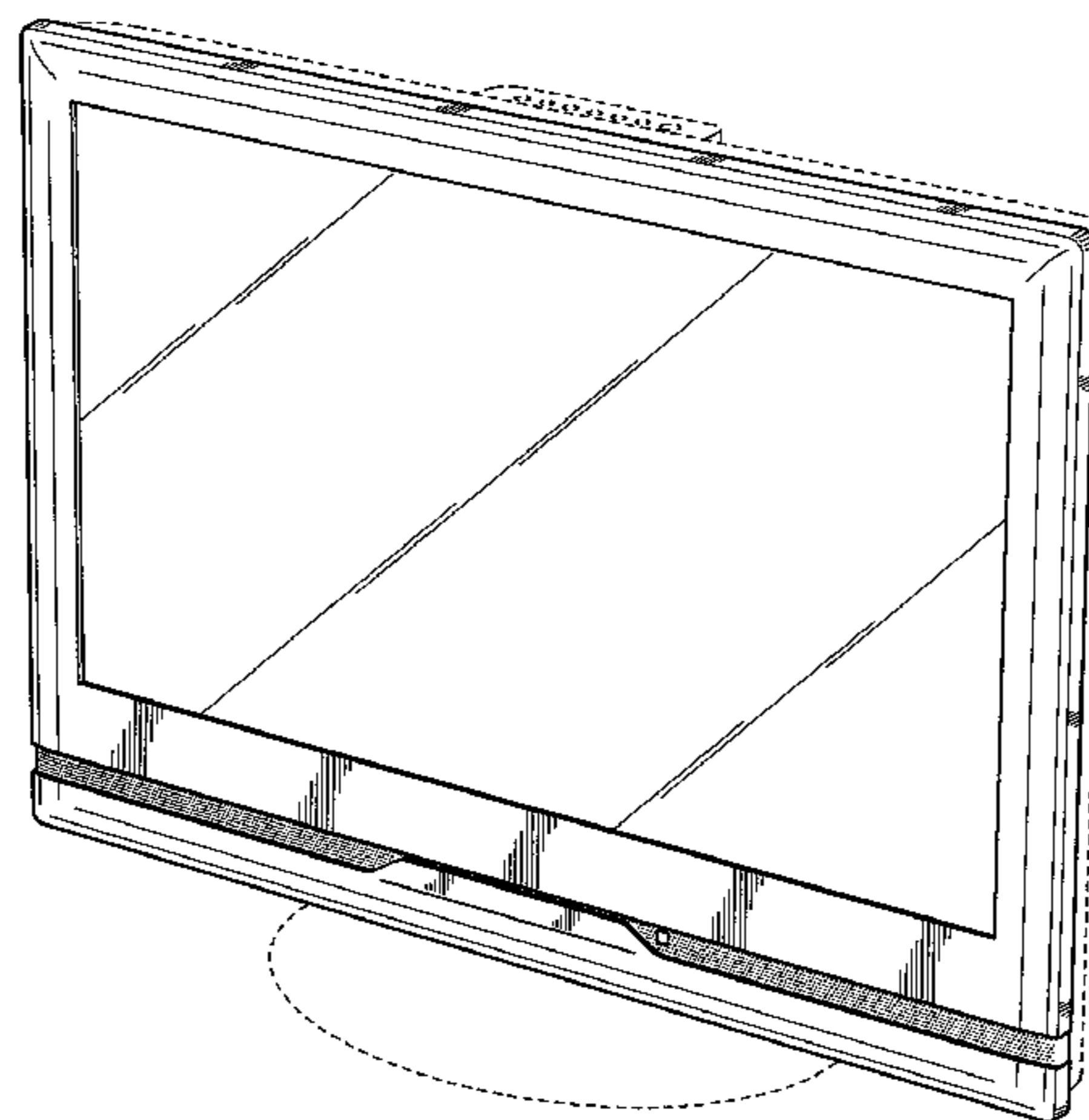


FIG. 1

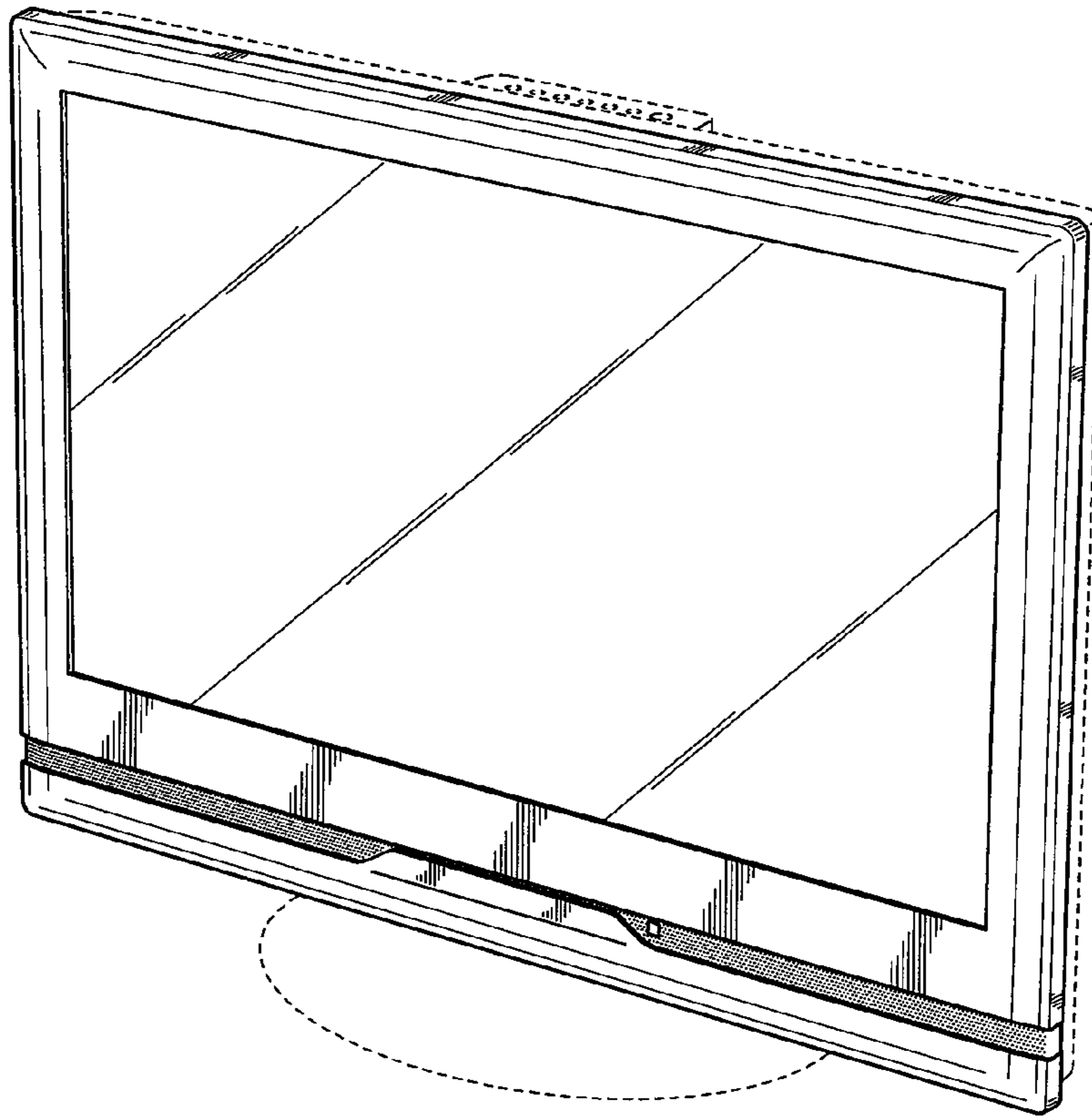


FIG. 2

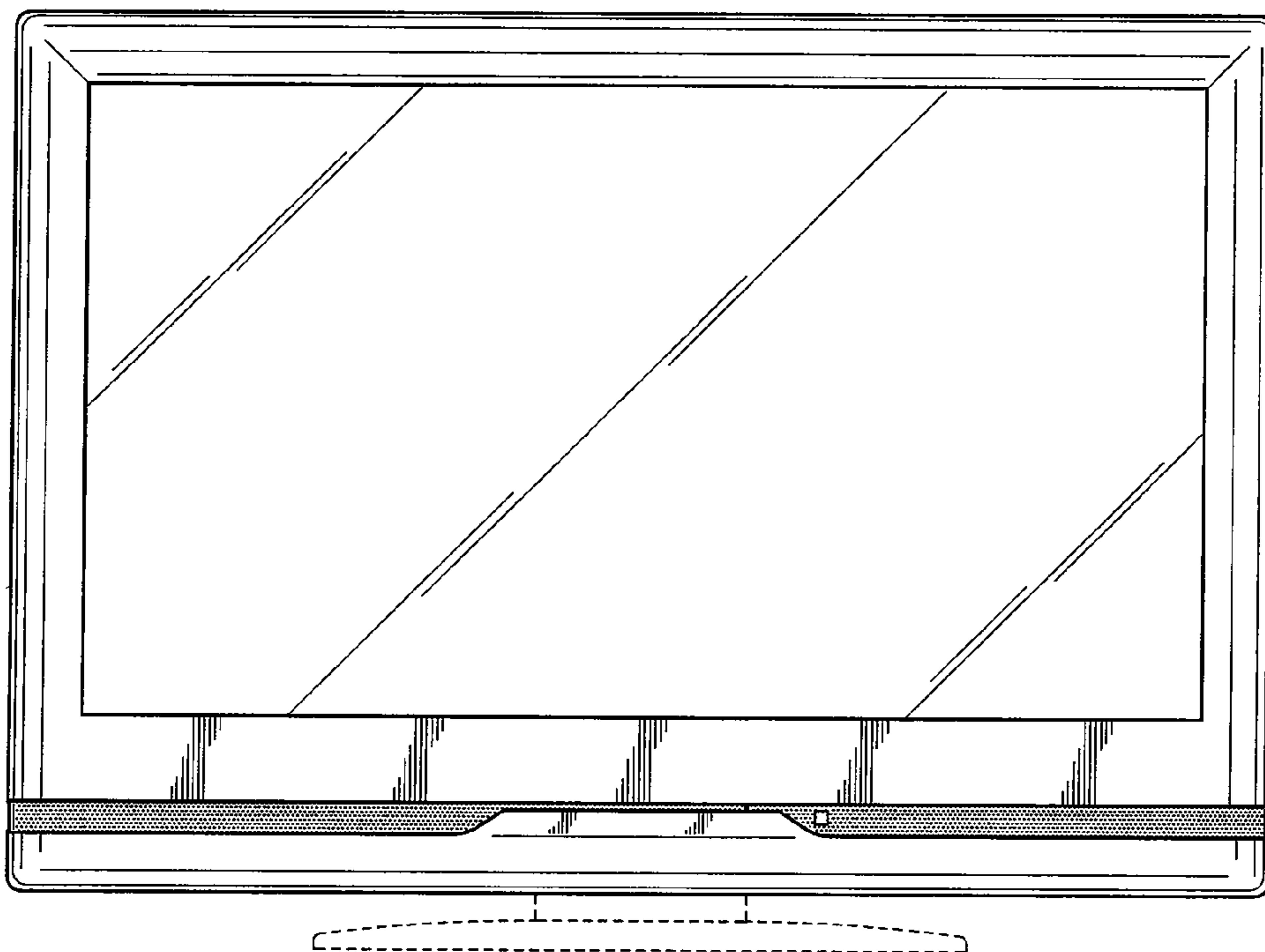


FIG. 3

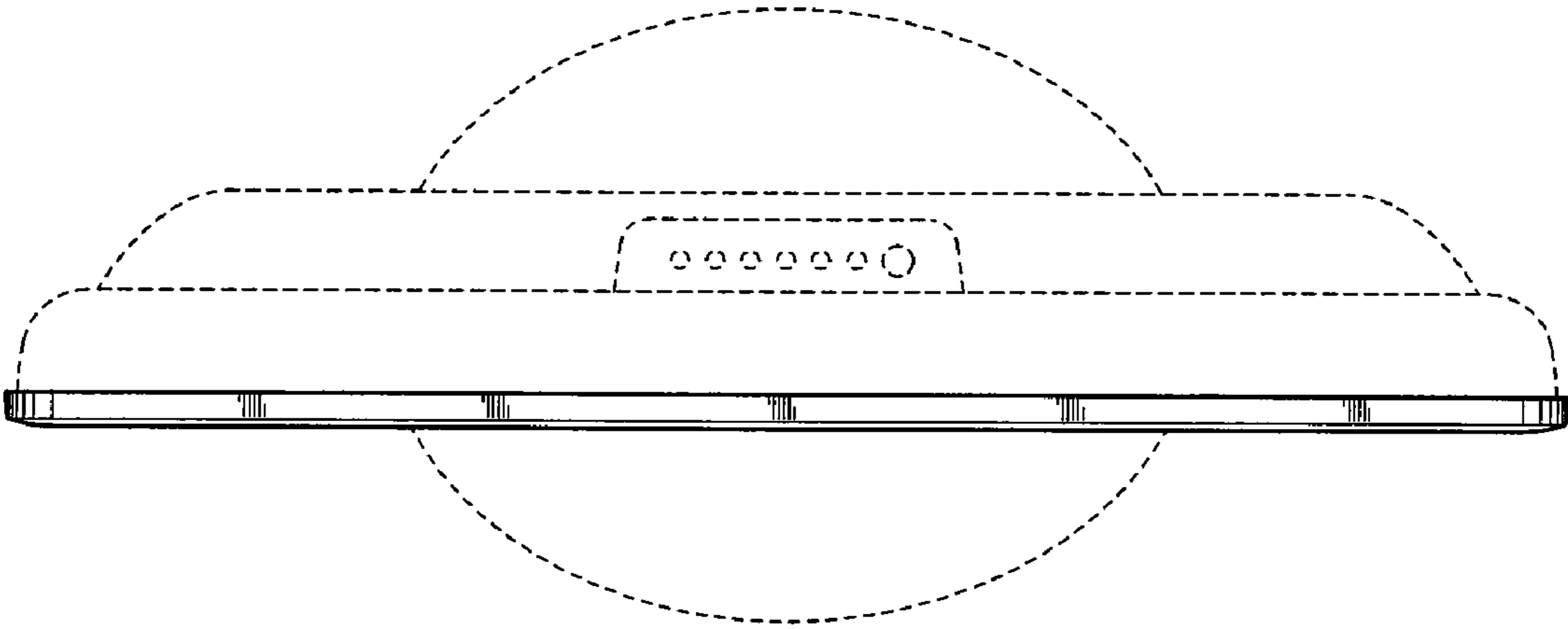


FIG. 4

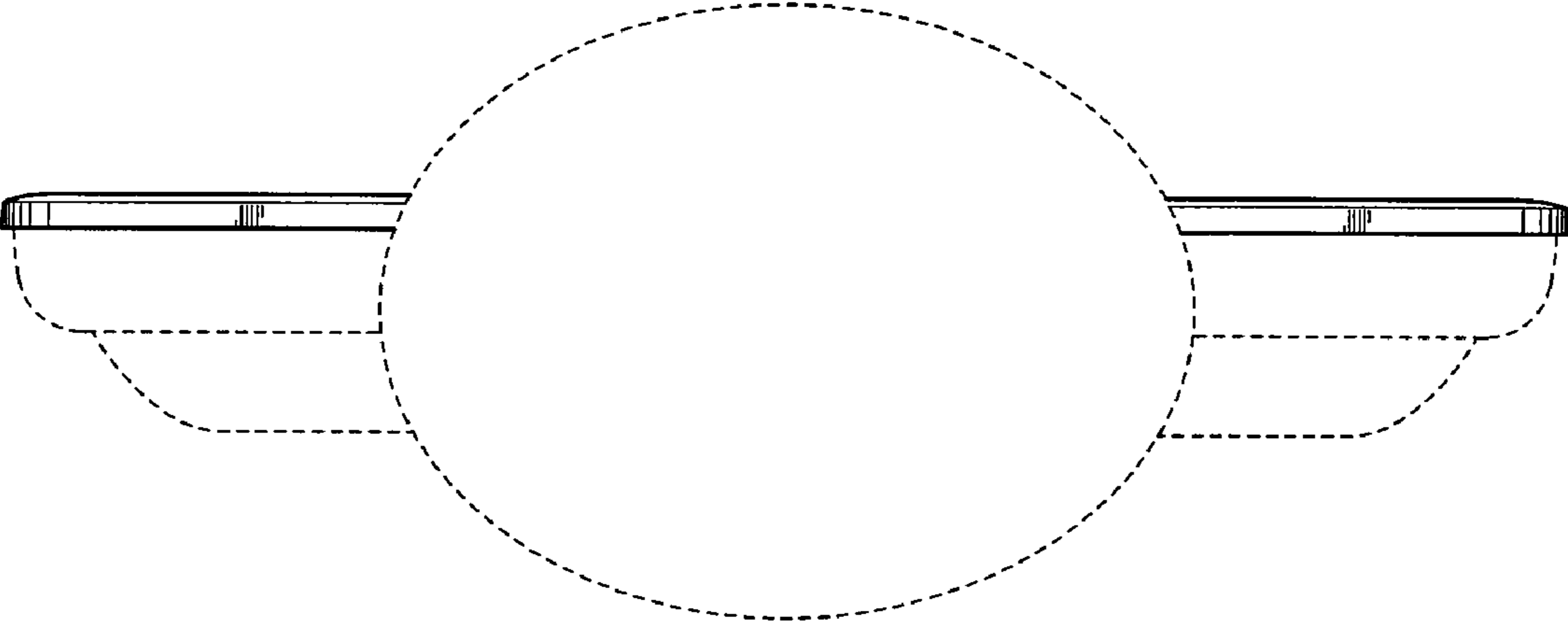


FIG. 5

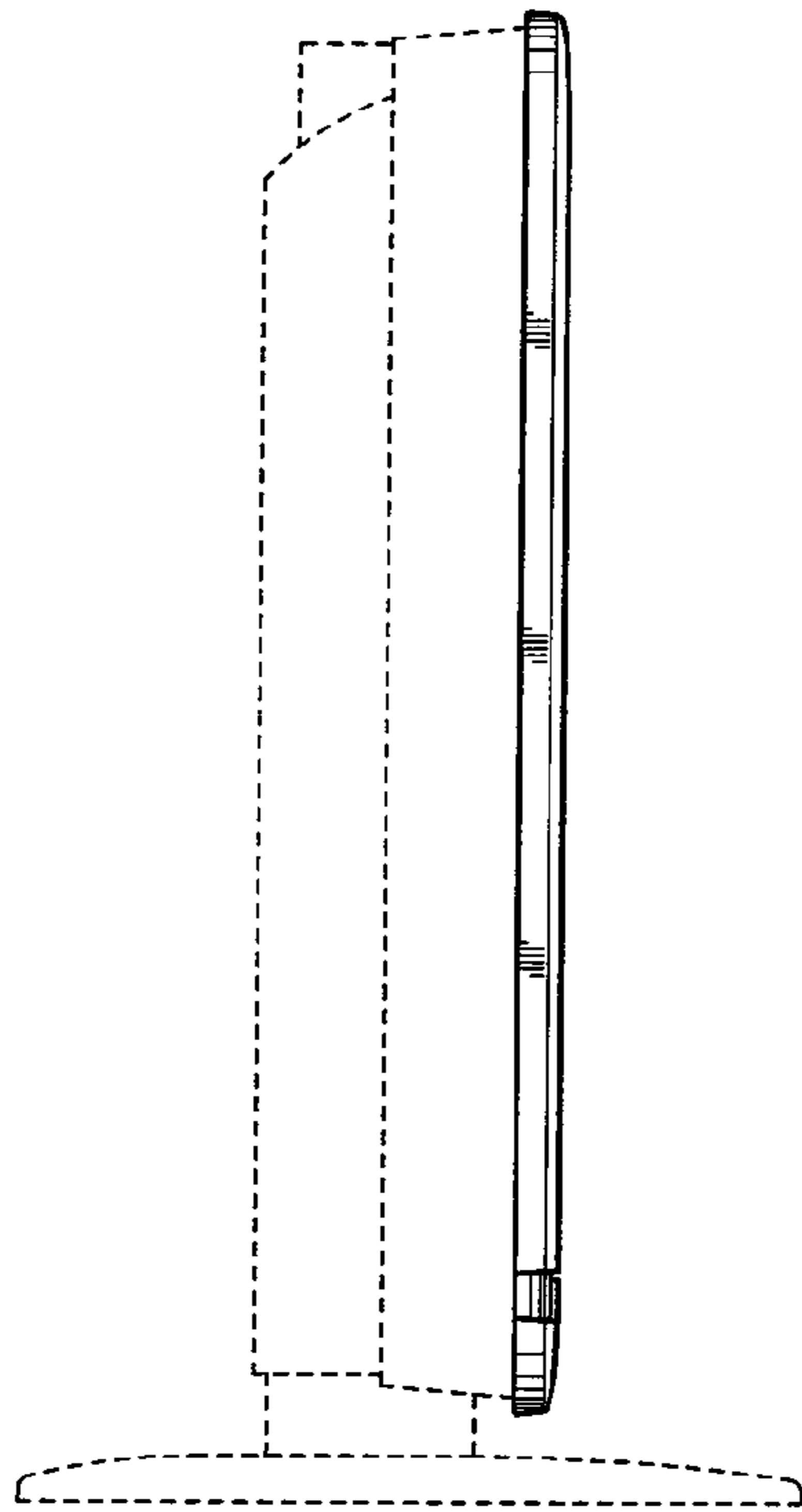


FIG. 6

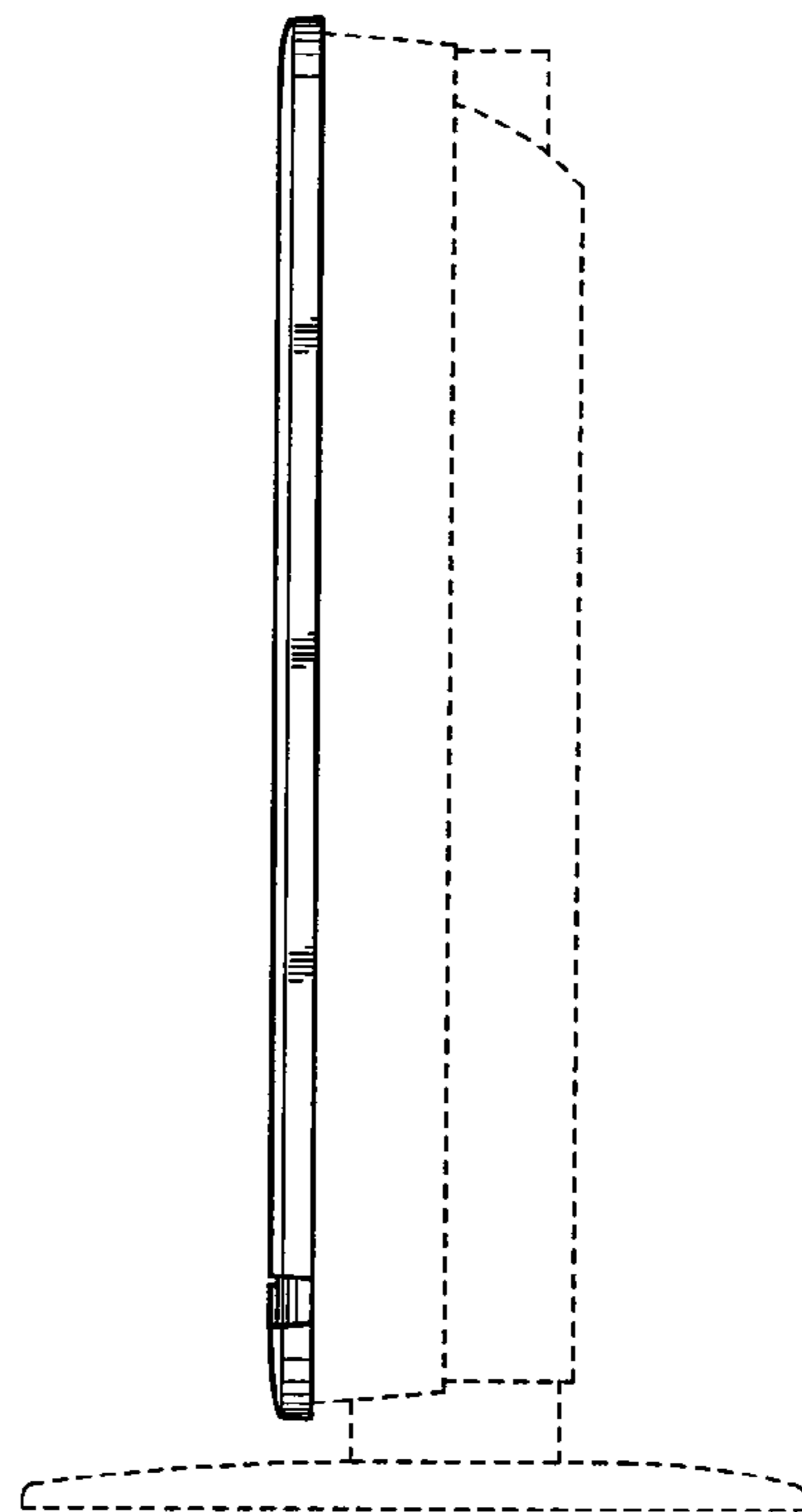


FIG. 7

