



US00D586302S

(12) **United States Design Patent**
Kim et al.

(10) **Patent No.:** **US D586,302 S**
(45) **Date of Patent:** **** Feb. 10, 2009**

(54) **LIGHT EMITTING DIODE**

7,176,612 B2 * 2/2007 Omoto et al. 313/487
D551,180 S * 9/2007 Song et al. D13/180

(75) Inventors: **Dong-Sel Kim**, Suwon-si (KR); **Chi-Ok In**, Chungcheongnam-do (KR); **Jae Hoon-Sung**, Seoul (KR)

FOREIGN PATENT DOCUMENTS

JP D1223595 10/2004

* cited by examiner

(73) Assignee: **Alti-Electronics Co., Ltd.** (KR)

Primary Examiner—Selina Sikder

(**) Term: **14 Years**

(74) *Attorney, Agent, or Firm*—The Farrell Law Firm, PC

(21) Appl. No.: **29/297,198**

(57) **CLAIM**

(22) Filed: **Nov. 6, 2007**

We claim an ornamental design for a light emitting diode, as shown and described.

(30) **Foreign Application Priority Data**

DESCRIPTION

May 7, 2007 (KR) 30-2007-0019797

FIG. 1 is a perspective view of the light emitting diode, showing our new design;

(51) **LOC (9) Cl.** **13-03**

(52) **U.S. Cl.** **D13/180**

(58) **Field of Classification Search** D13/180;

D26/2; 257/79, 80, 81, 88, 89, 95, 98, 99,

257/100; 313/483, 498, 500; 362/555, 800

See application file for complete search history.

FIG. 2 is a front elevation view of the light emitting diode of FIG. 1;

FIG. 3 is a rear elevation view of the light emitting diode of FIG. 1 wherein the broken lines define portions of the light emitting diode that forms no part of the claimed design;

(56) **References Cited**

U.S. PATENT DOCUMENTS

6,586,721 B2 * 7/2003 Estevez-Garcia 250/221

D490,387 S * 5/2004 Yagi D13/182

D491,899 S * 6/2004 Yagi D13/180

D494,550 S * 8/2004 Hoshiba D13/180

D495,304 S * 8/2004 Kim et al. D13/180

D515,043 S * 2/2006 Ishizaka et al. D13/180

D520,965 S * 5/2006 Omata D13/180

D521,951 S * 5/2006 Song D13/180

D522,468 S * 6/2006 Song D13/180

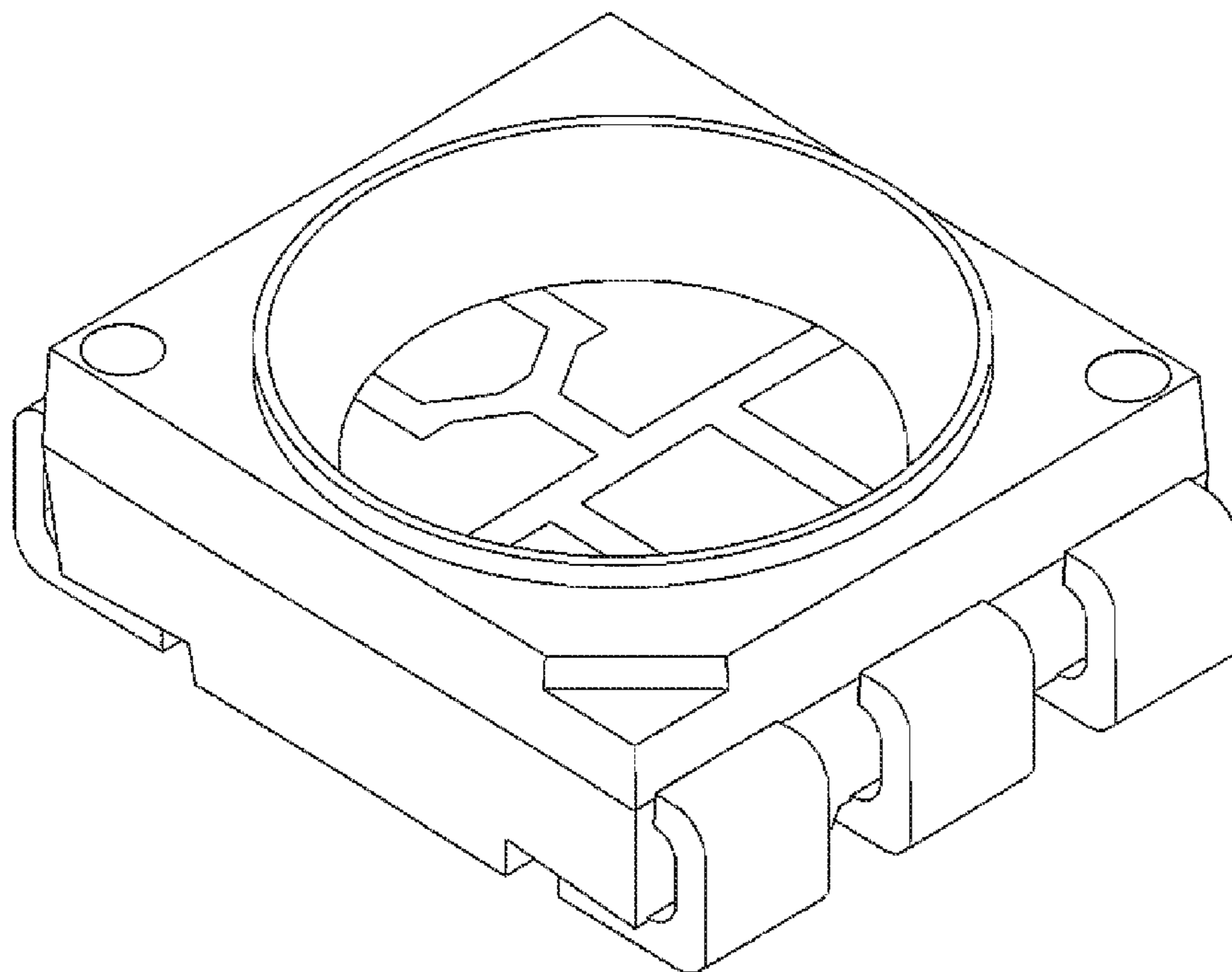
FIG. 4 is a left side elevation view of the light emitting diode of FIG. 1;

FIG. 5 is a right side elevation view of the light emitting diode of FIG. 1;

FIG. 6 is a top plan view of the light emitting diode of FIG. 1; and,

FIG. 7 is a bottom plan view of the light emitting diode of FIG. 1.

1 Claim, 7 Drawing Sheets



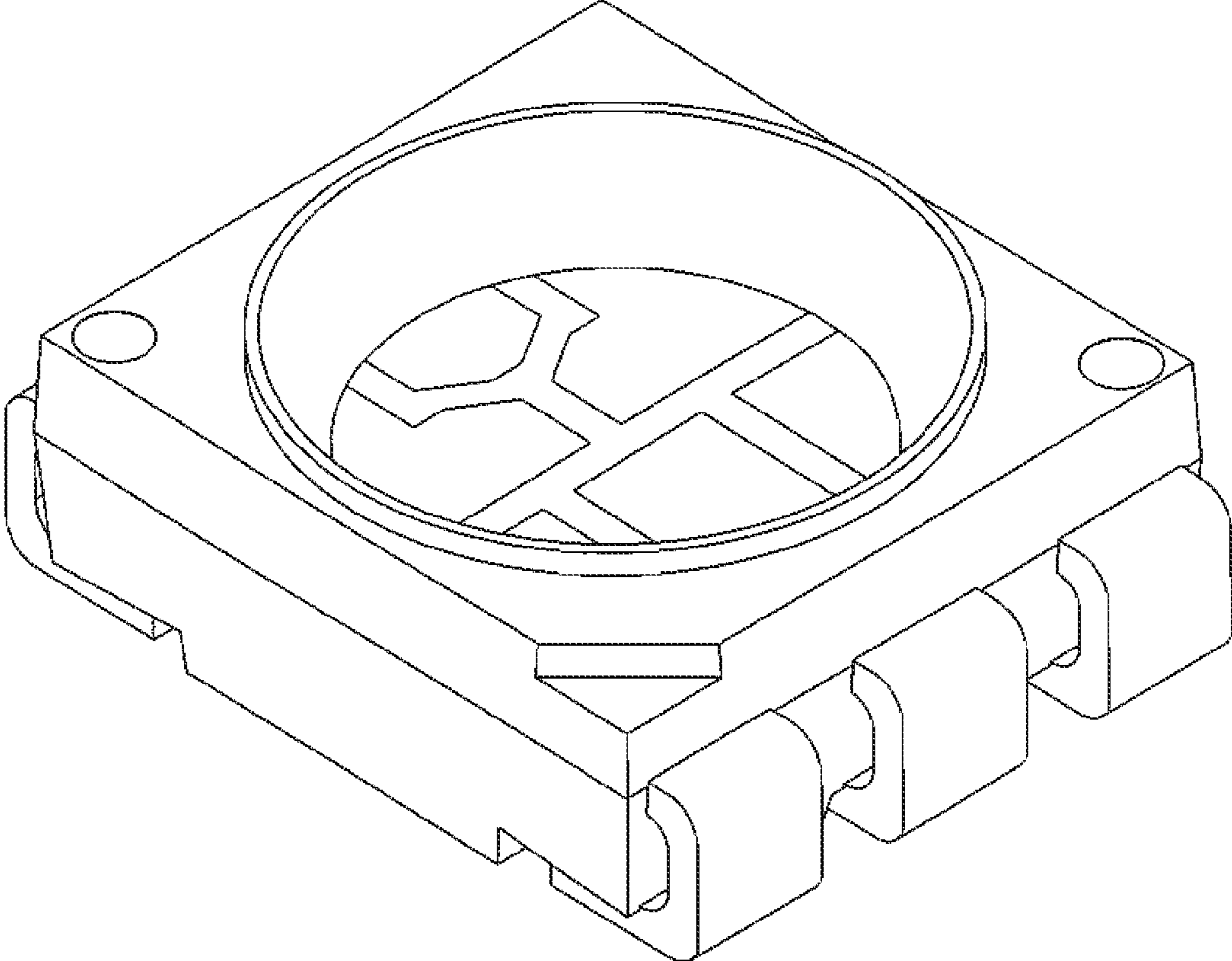


FIG. 1

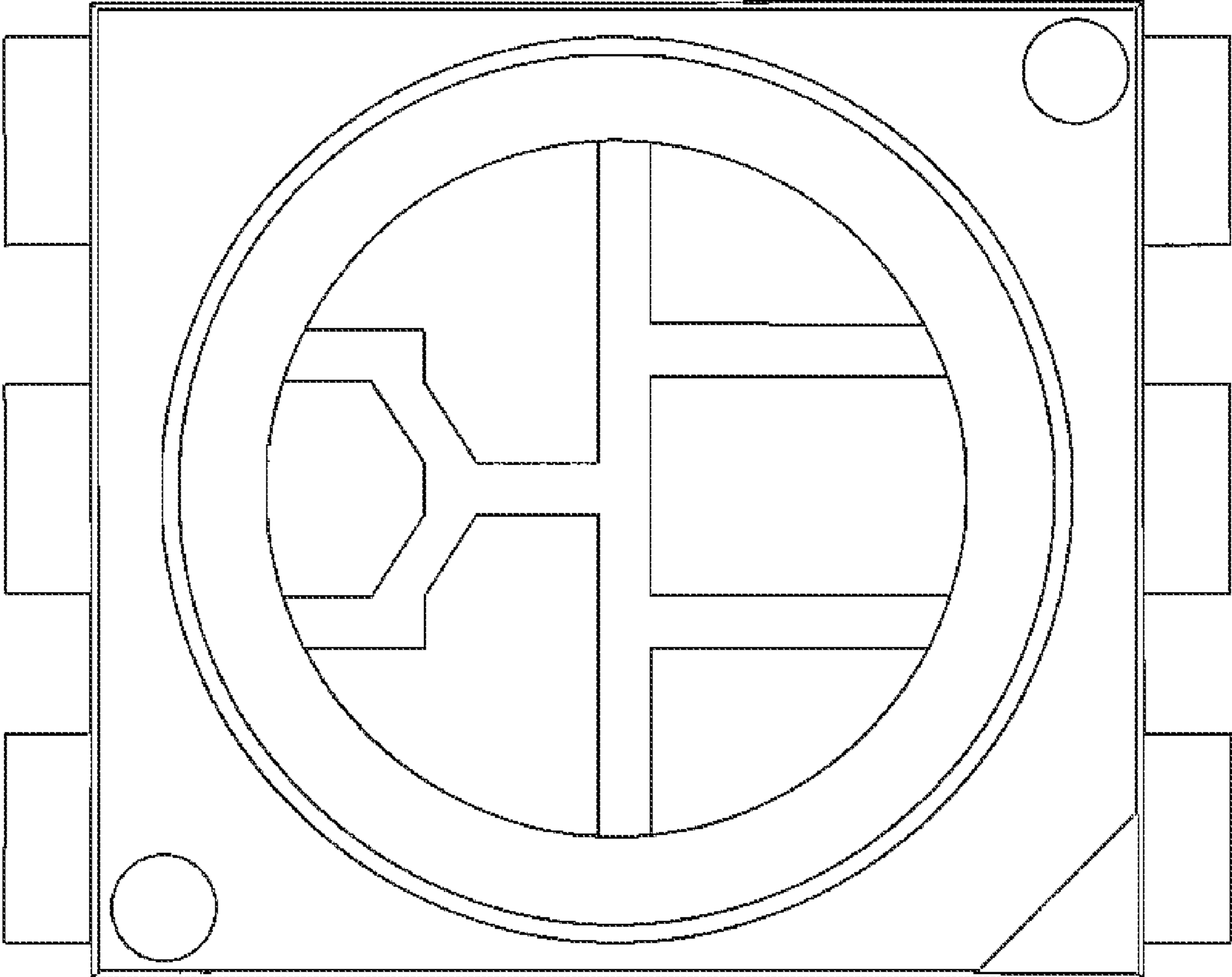


FIG. 2

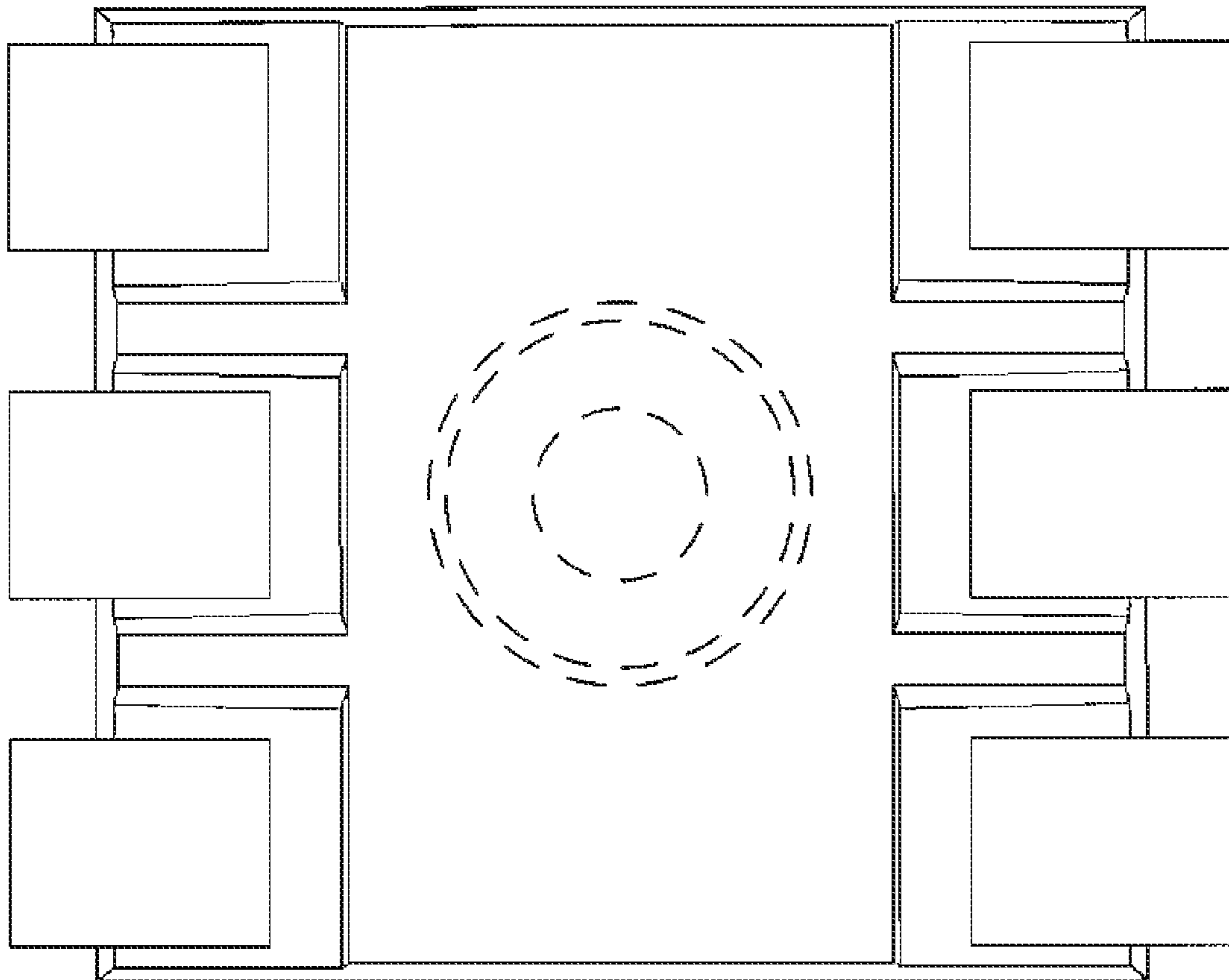


FIG. 3

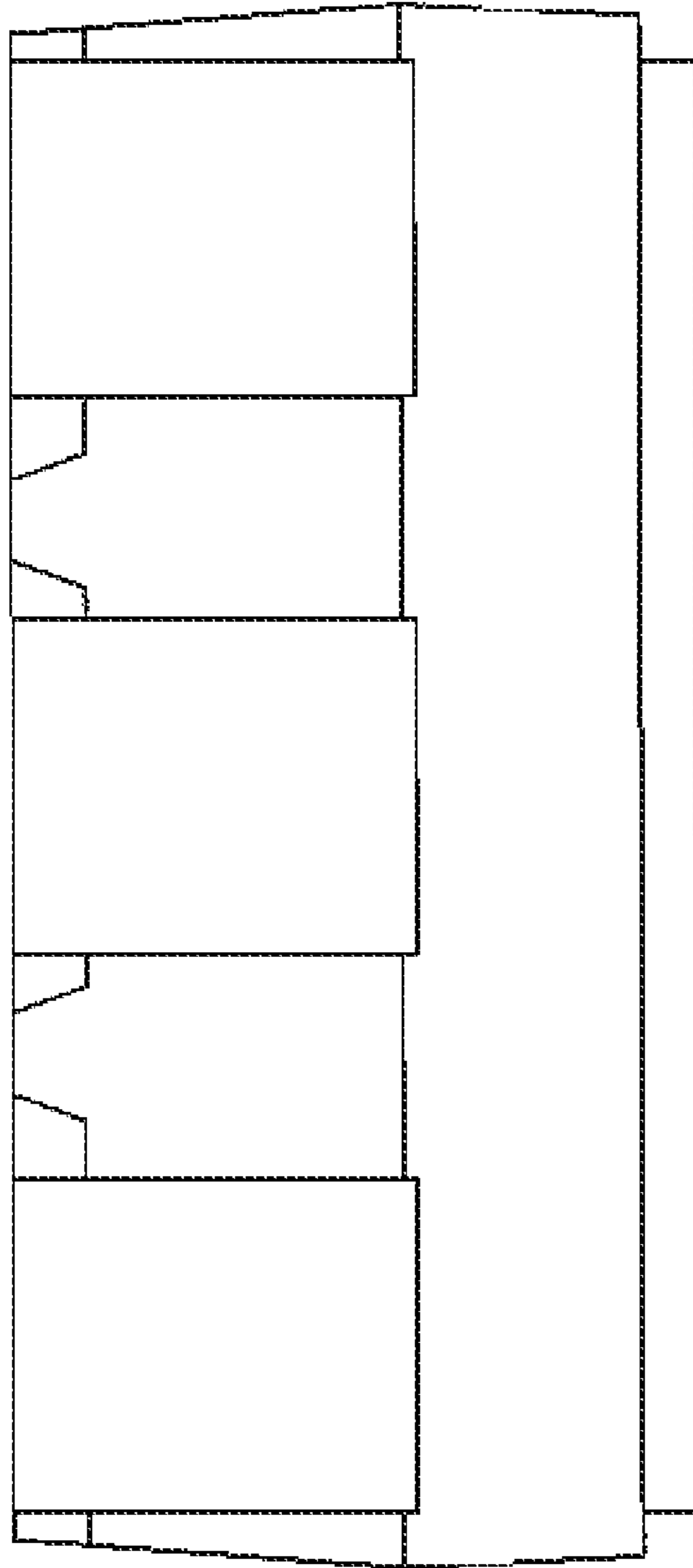


FIG. 4

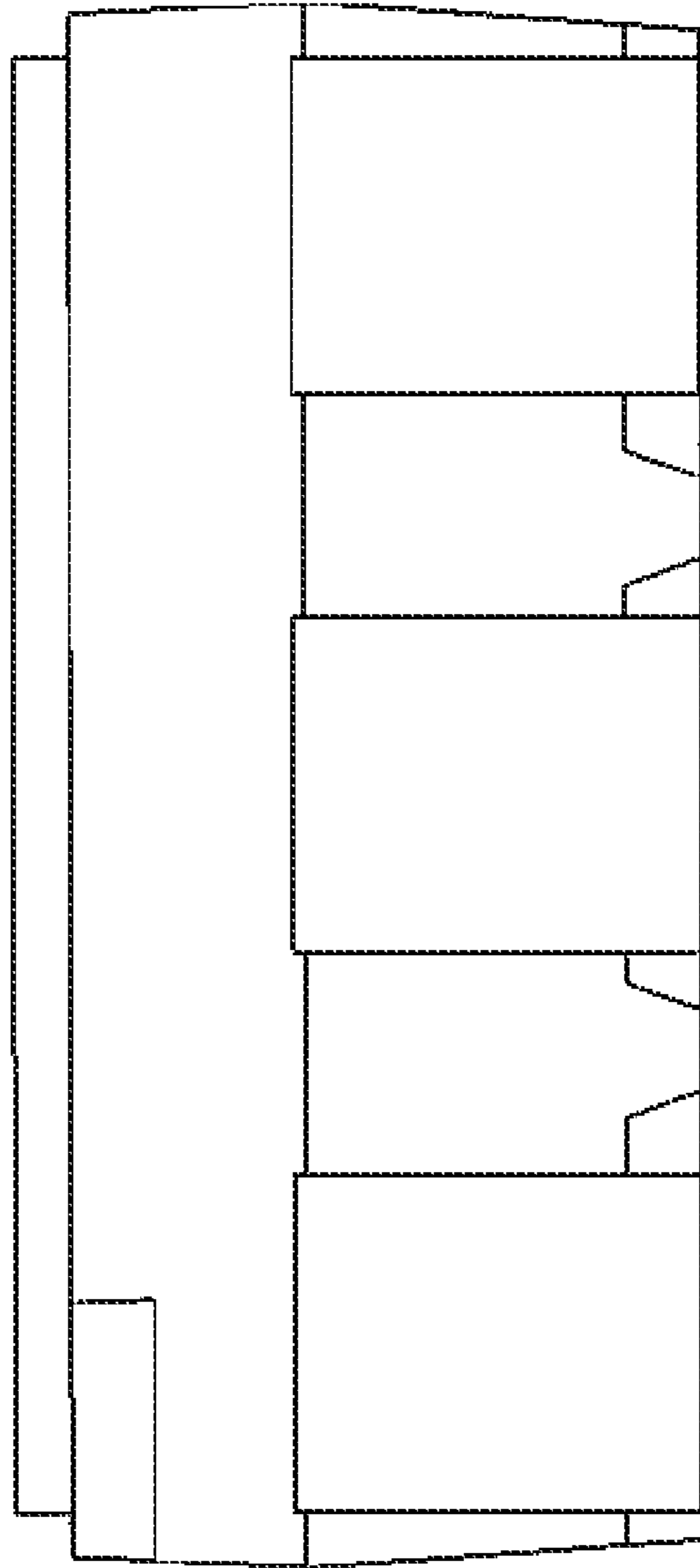


FIG. 5

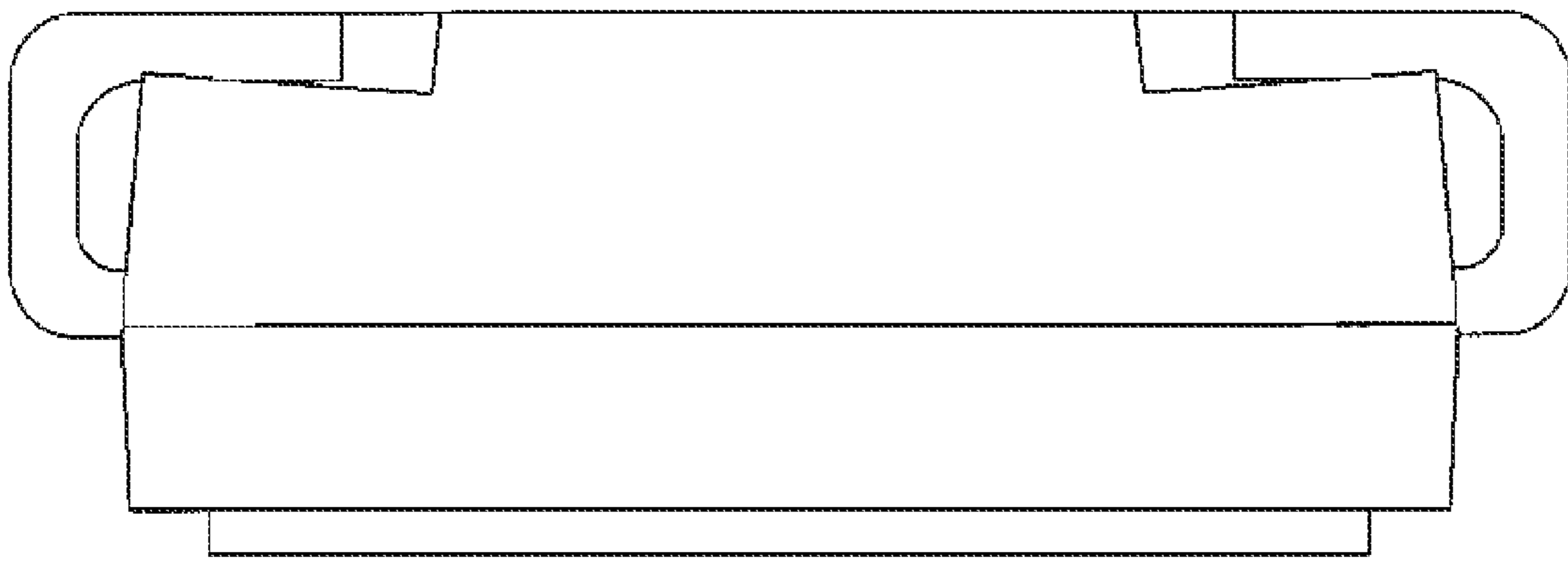


FIG. 6

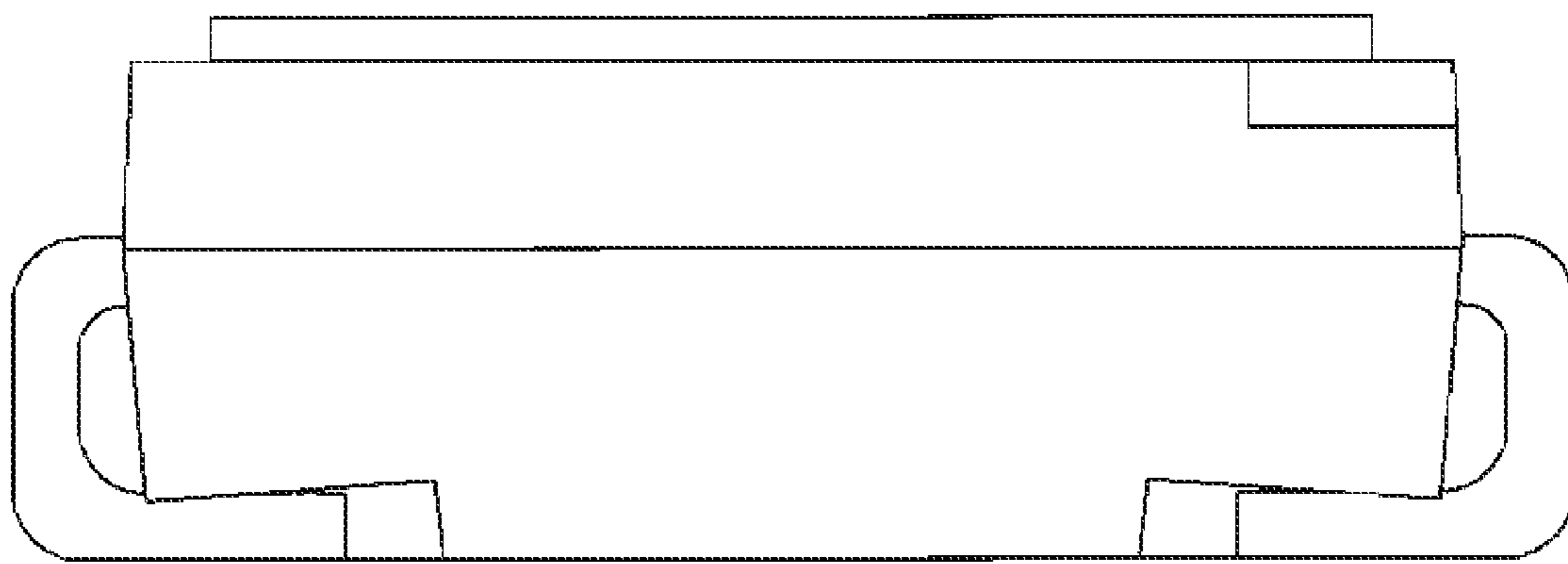


FIG. 7