



US00D586300S

(12) **United States Design Patent**
Wang

(10) **Patent No.:** **US D586,300 S**
(45) **Date of Patent:** **** Feb. 10, 2009**

(54) **CONTACT OF AN ELECTRICAL CONNECTOR**

D516,521 S * 3/2006 Yao et al. D13/154
D555,092 S * 11/2007 Li et al. D13/133

(75) Inventor: **Ning Wang**, Kunshan (CN)

* cited by examiner

(73) Assignee: **Hon Hai Precision Ind. Co., Ltd.**,
Taipei Hsien (TW)

Primary Examiner—Daniel D Bui
Assistant Examiner—Thomas J Johannes
(74) *Attorney, Agent, or Firm*—Wei Te Chung

(**) Term: **14 Years**

(57) **CLAIM**

(21) Appl. No.: **29/293,626**

The ornamental design for a contact of an electrical connector, as shown and described.

(22) Filed: **Dec. 4, 2007**

(30) **Foreign Application Priority Data**

DESCRIPTION

Jun. 6, 2007 (CN) 2007 3 0037249

FIG. 1 is a front, top and right side perspective view of a contact of an electrical connector showing my new design;

(51) **LOC (9) Cl.** **13-03**

FIG. 2 is a front elevational view thereof;

(52) **U.S. Cl.** **D13/154**

FIG. 3 is a rear elevational view thereof;

(58) **Field of Classification Search** D13/133,
D13/146, 147, 154, 184, 199; 439/607-610,
439/849, 845, 870, 877, 884, 885

FIG. 4 is a left side elevational view thereof;

See application file for complete search history.

FIG. 5 is a right side elevational view thereof;

(56) **References Cited**

U.S. PATENT DOCUMENTS

D409,145 S * 5/1999 Yoshiura D13/133
6,086,405 A * 7/2000 Liebich 439/397
6,116,931 A * 9/2000 McCleerey et al. 439/173
6,280,230 B1 * 8/2001 Takase et al. 439/397

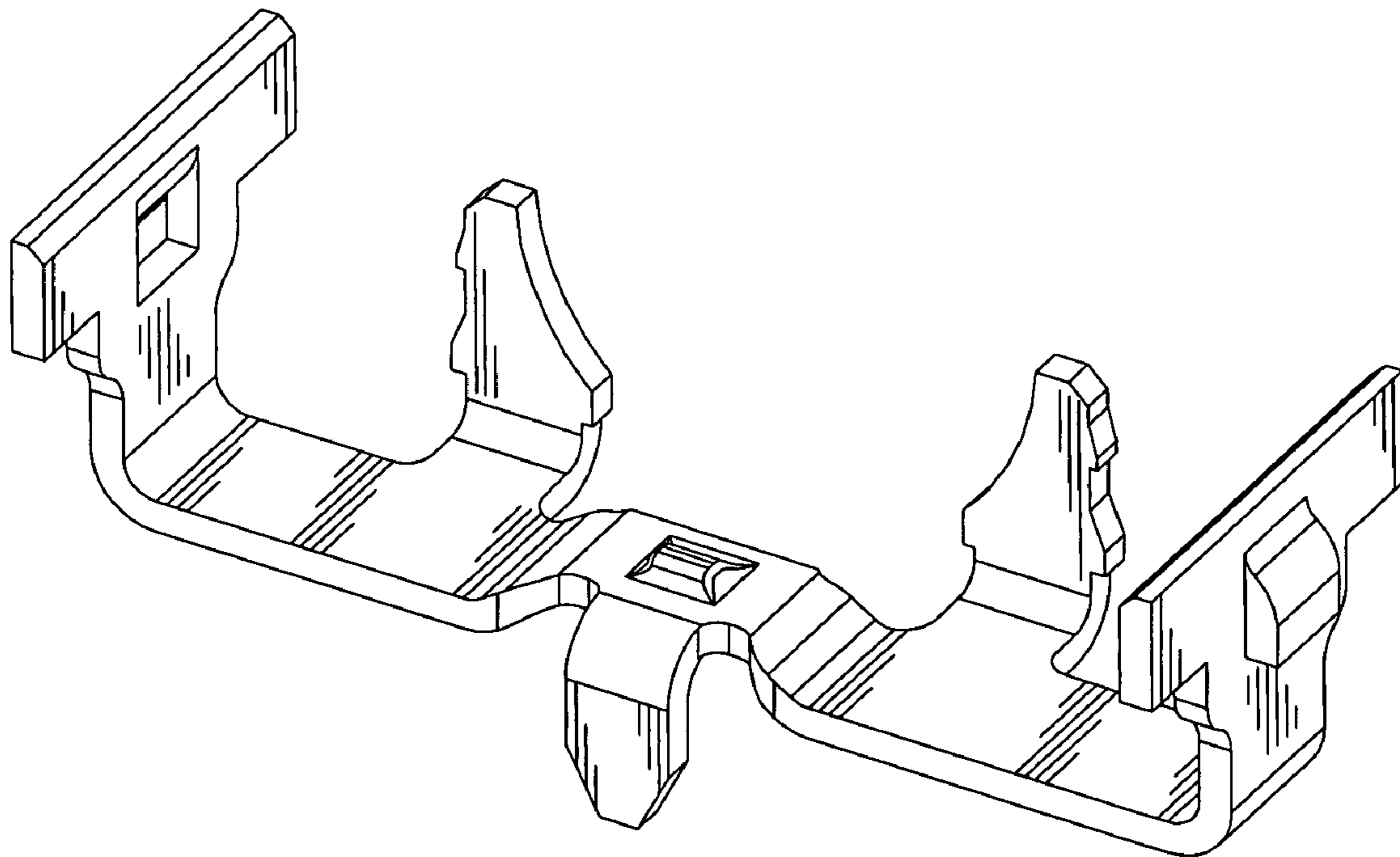
FIG. 6 is a top plan view thereof;

FIG. 7 is a bottom plan view thereof; and,

FIG. 8 is a perspective view thereof in a usage environment.

The broken line portion of FIG. 8 is included to show unclaimed subject matter of an electrical connector usage environment and forms no part of the claimed design.

1 Claim, 8 Drawing Sheets



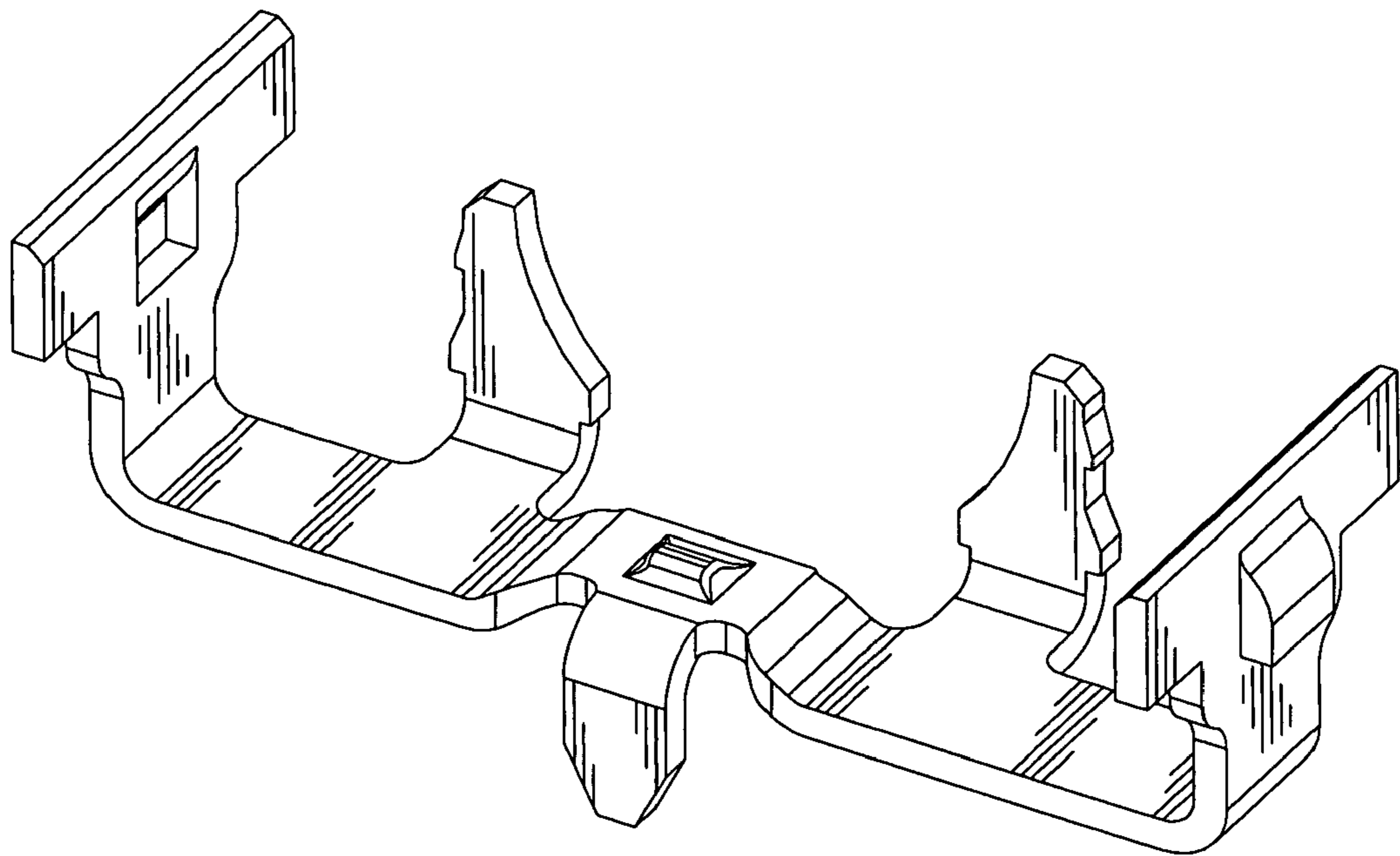


FIG. 1

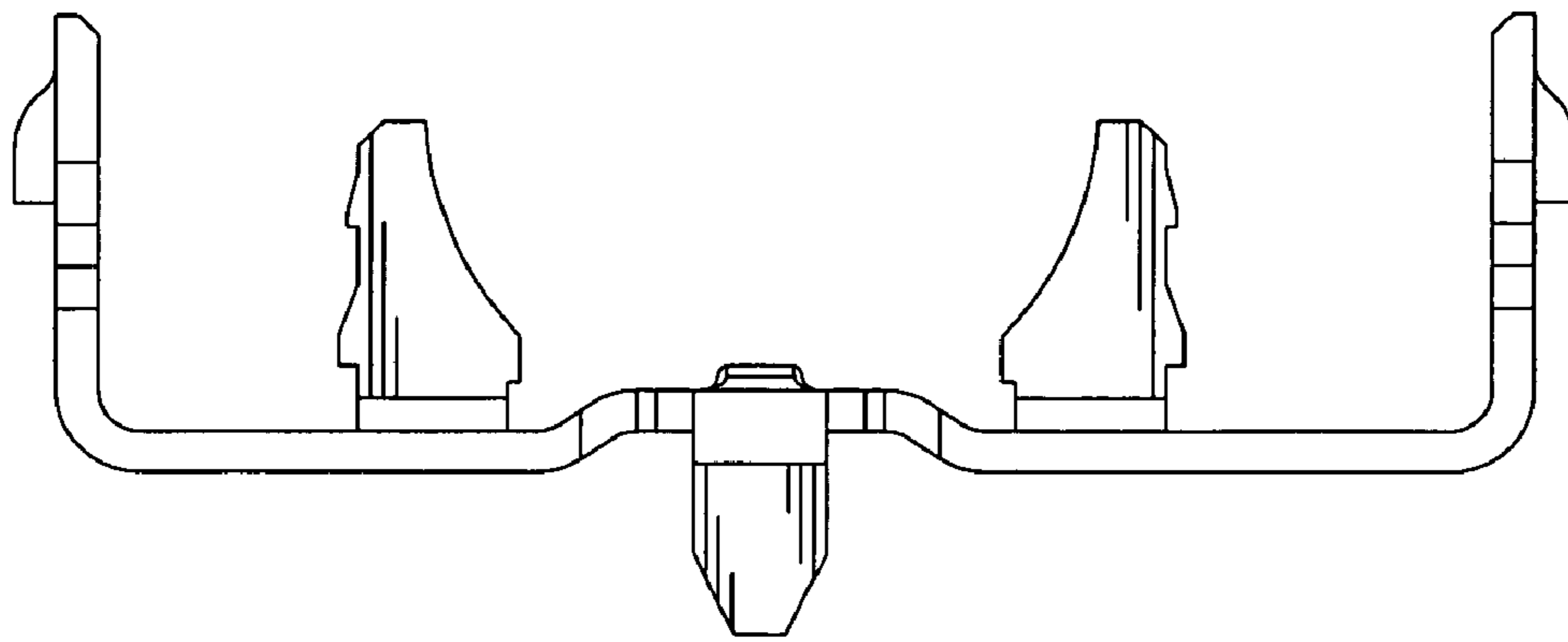


FIG. 2

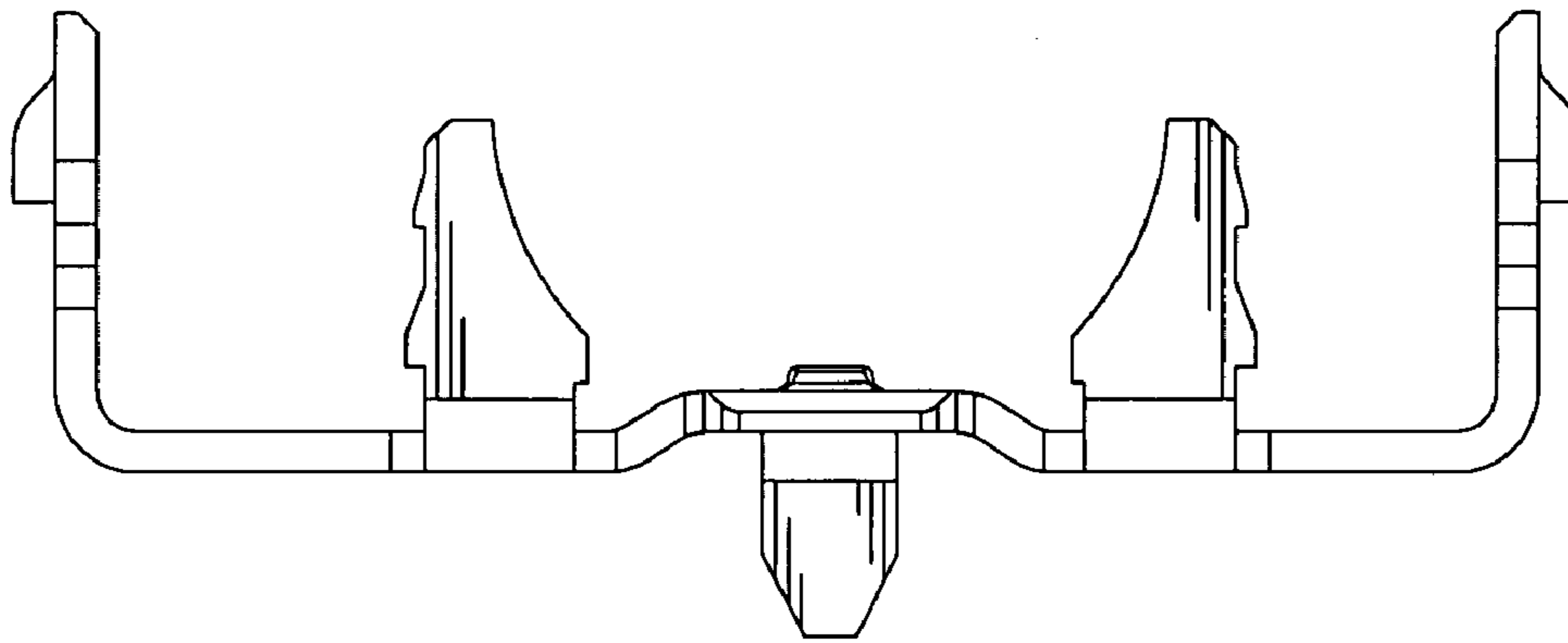


FIG. 3

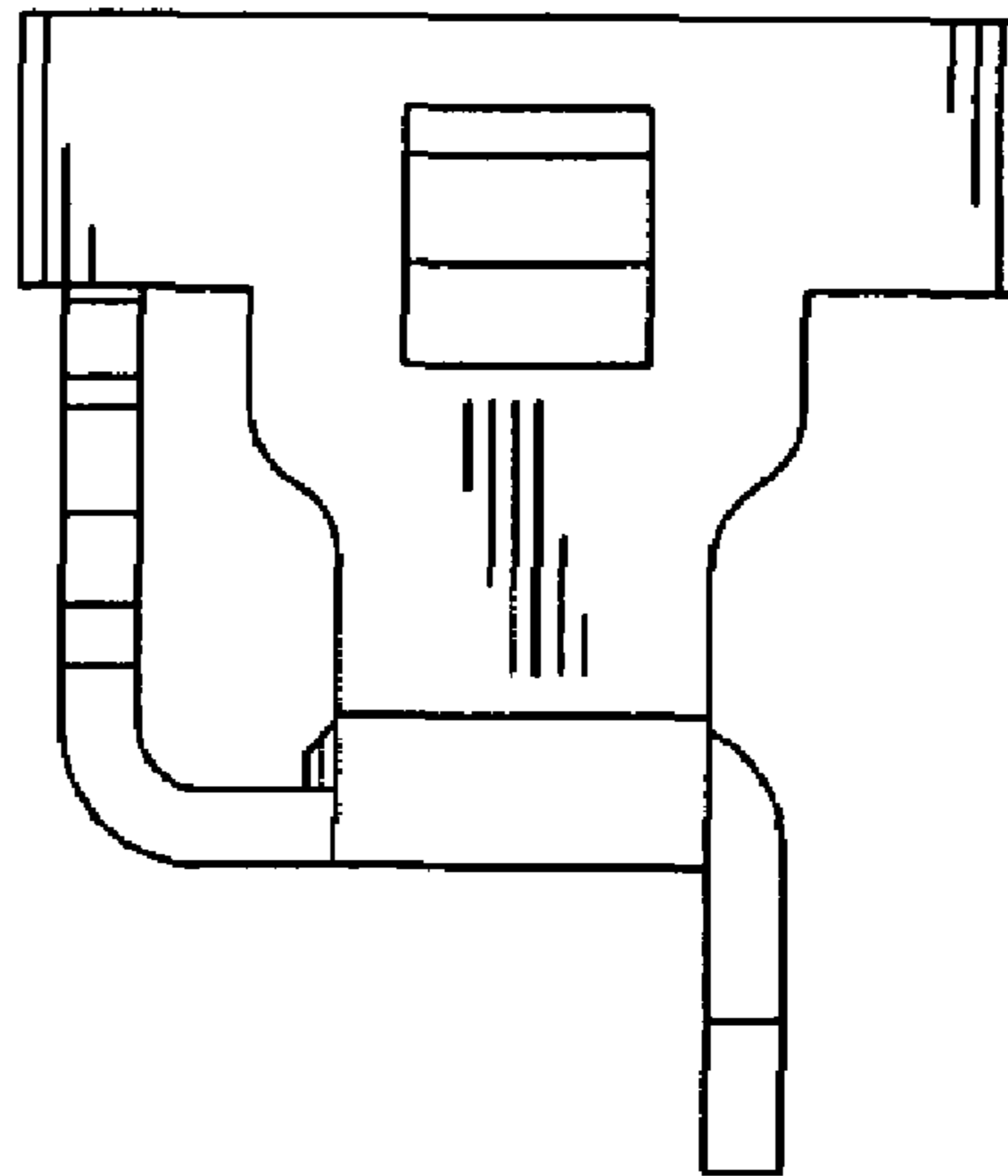


FIG. 4

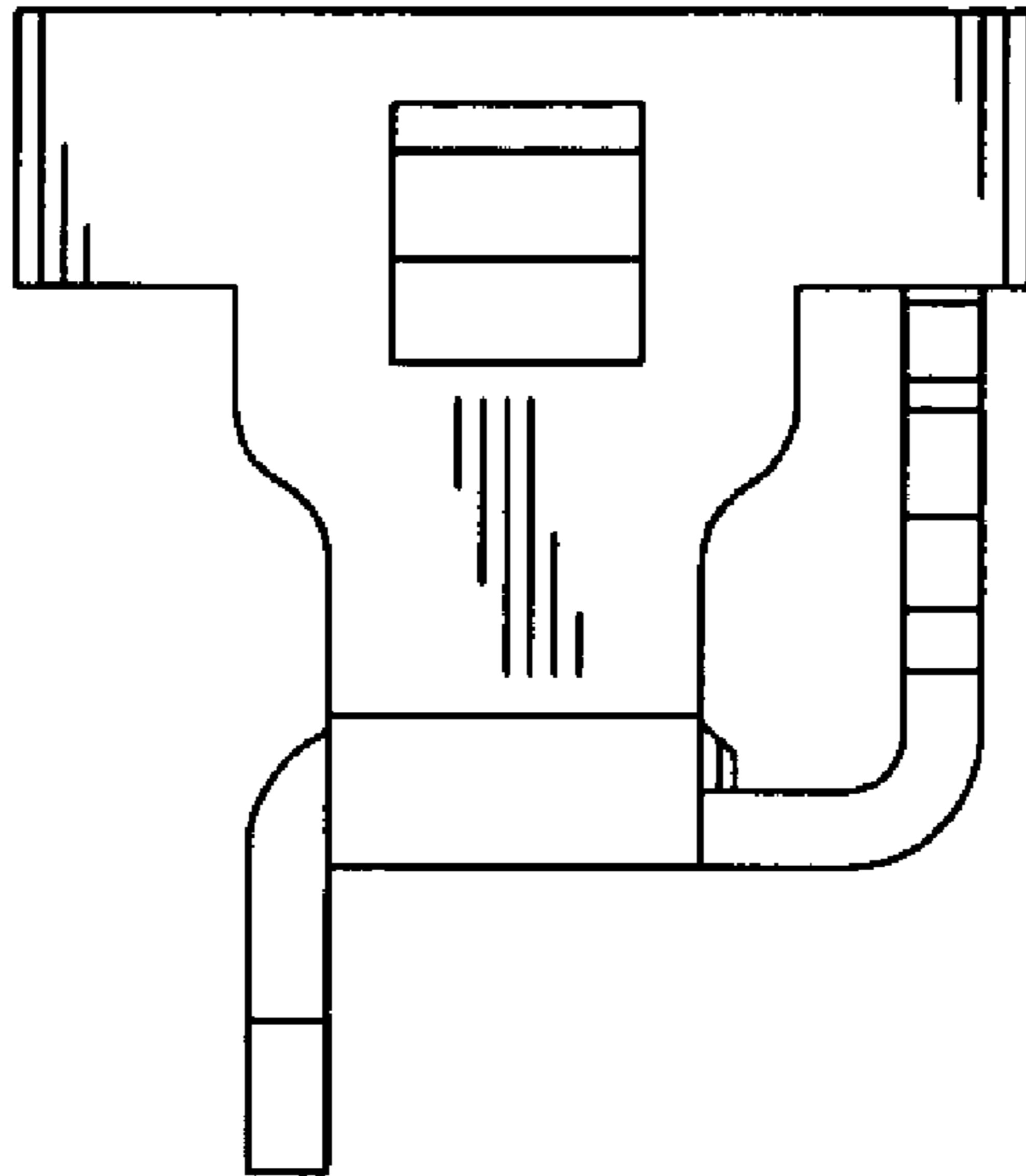


FIG. 5

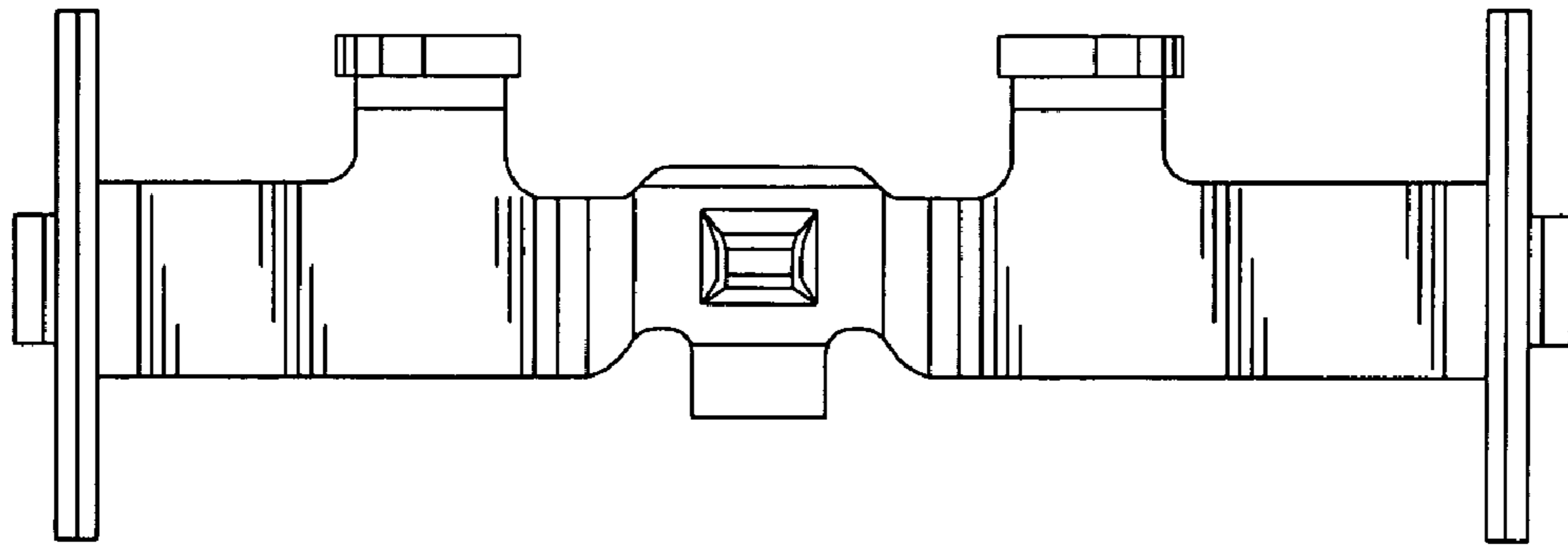


FIG. 6

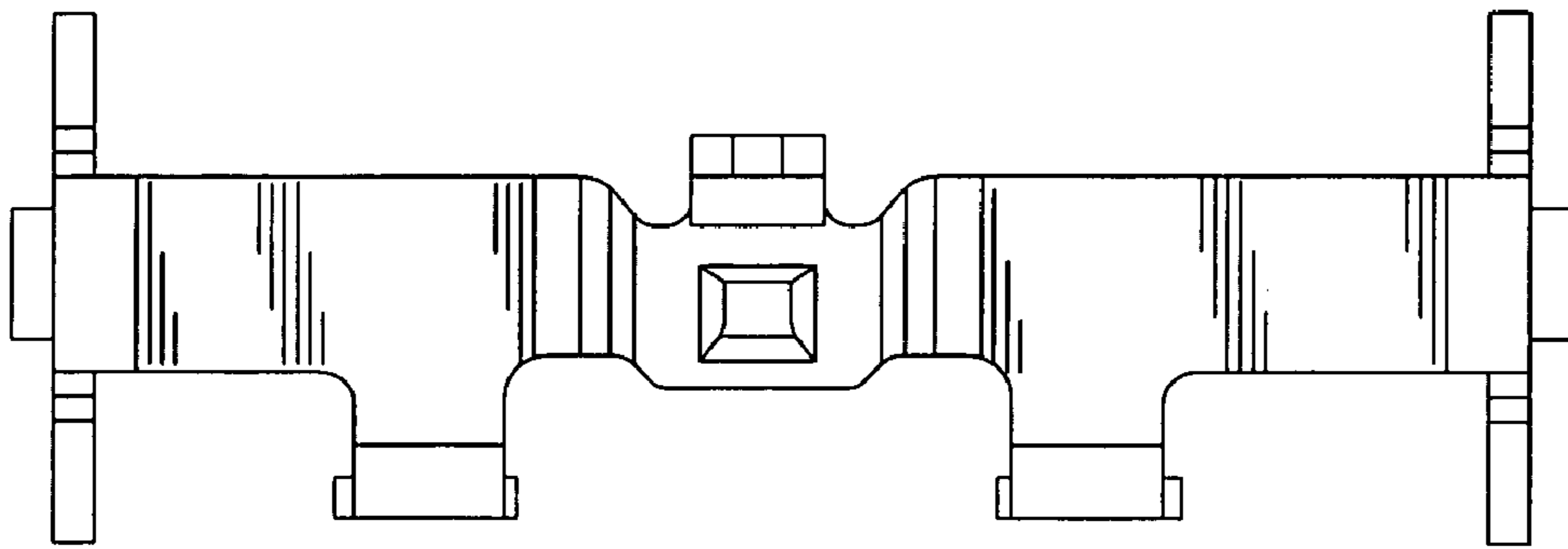


FIG. 7

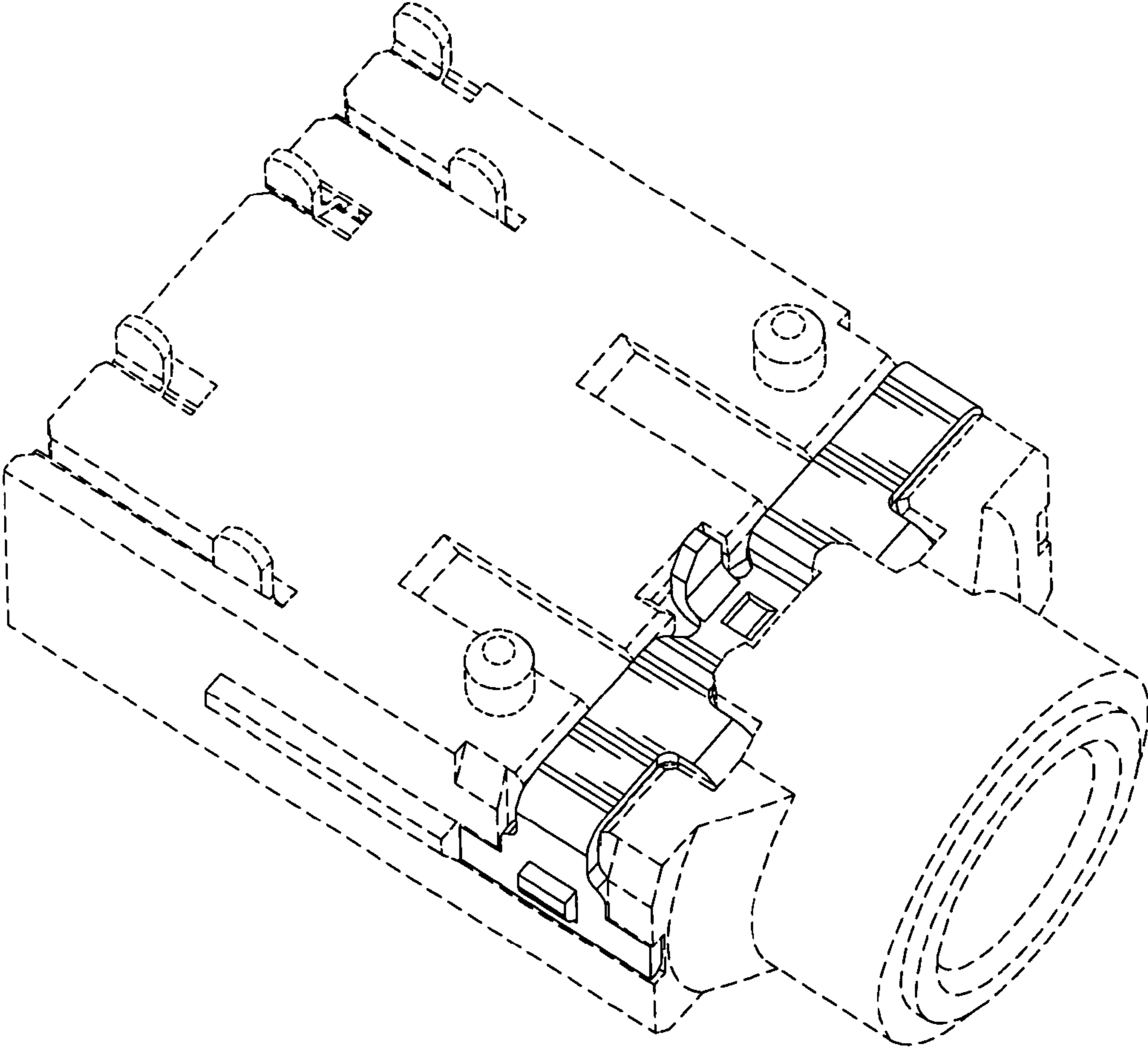


FIG. 8