



US00D586299S

(12) **United States Design Patent**
Suzuki et al.

(10) **Patent No.:** **US D586,299 S**
(45) **Date of Patent:** **** Feb. 10, 2009**

(54) **ELECTRICAL CONNECTOR**

(75) Inventors: **Hisashi Suzuki**, Tokyo (JP); **Ryoichi Hirako**, Tokyo (JP)

(73) Assignee: **Yokowo Co., Ltd.**, Tokyo (JP)

(**) Term: **14 Years**

(21) Appl. No.: **29/274,901**

(22) Filed: **Jun. 5, 2007**

(30) **Foreign Application Priority Data**

Dec. 8, 2006 (JP) 2006-033863

(51) **LOC (9) Cl.** **13-03**

(52) **U.S. Cl.** **D13/151**

(58) **Field of Classification Search** D13/133,
D13/146, 147, 151, 184, 199; 439/78, 63,
439/540.1, 541.5, 607, 638, 620, 578, 344,
439/676

See application file for complete search history.

(56) **References Cited**

U.S. PATENT DOCUMENTS

D316,082 S * 4/1991 Gartwhaite D13/151
D335,488 S * 5/1993 Suzuki et al. D13/159
D416,861 S * 11/1999 Fun D13/146

6,361,348 B1 * 3/2002 Hall et al. 439/352
D474,747 S * 5/2003 Naganawa et al. D13/147
D497,145 S * 10/2004 Seo D13/158
D568,255 S * 5/2008 Kurisaki et al. D13/158

* cited by examiner

Primary Examiner—Daniel D Bui

Assistant Examiner—Thomas J Johannes

(74) *Attorney, Agent, or Firm*—Morgan, Lewis & Bockius LLP

(57) **CLAIM**

The ornamental design for an electrical connector, as shown and described.

DESCRIPTION

FIG. 1 is a perspective view of the front, right side and top plan of an electrical connector showing our new design;

FIG. 2 is a front view thereof;

FIG. 3 is a rear view thereof;

FIG. 4 is a top plan view thereof;

FIG. 5 is a bottom view thereof;

FIG. 6 is a left side view thereof; and,

FIG. 7 is a right side view thereof.

1 Claim, 2 Drawing Sheets

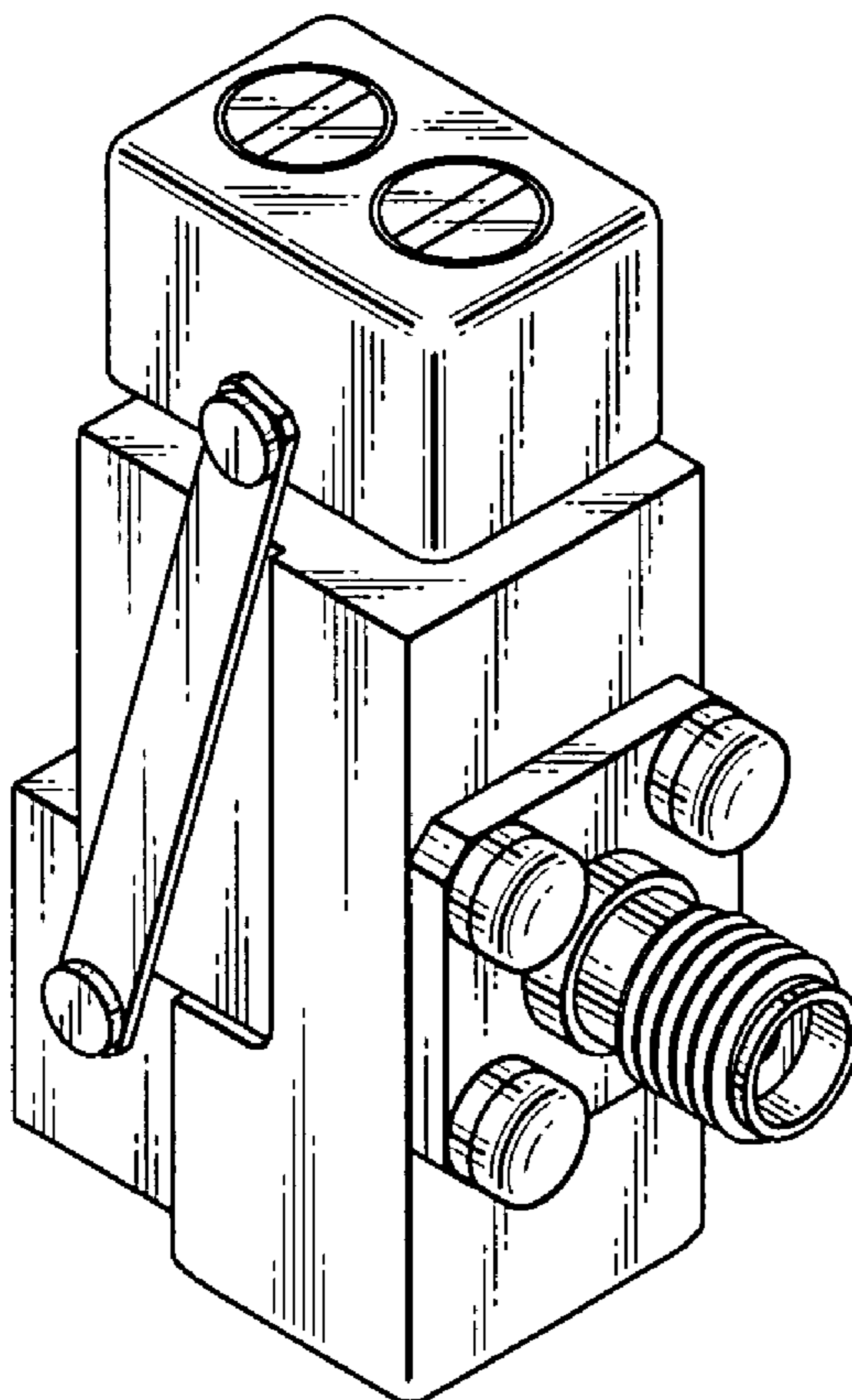


FIG. 1

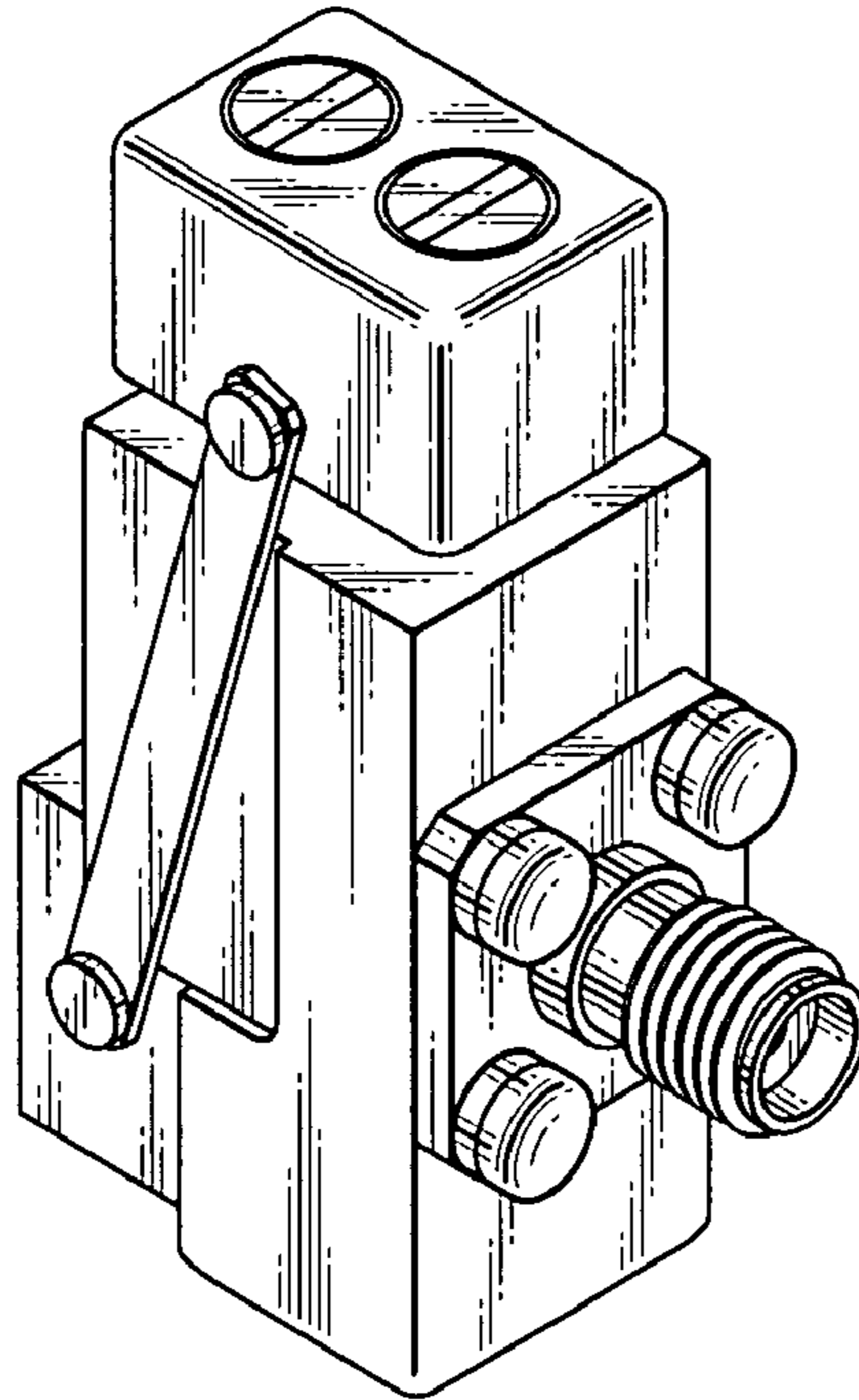


FIG. 2

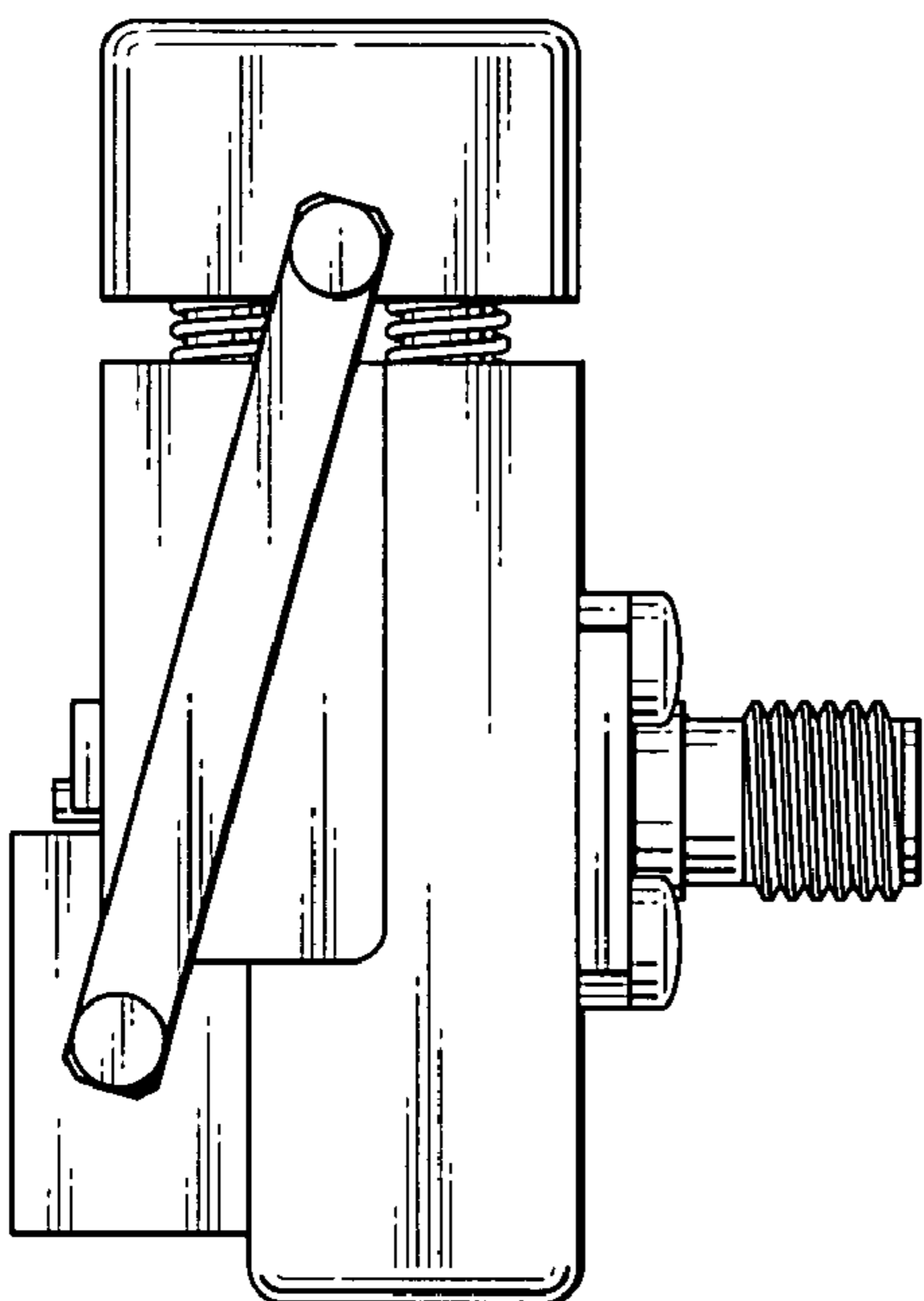


FIG. 3

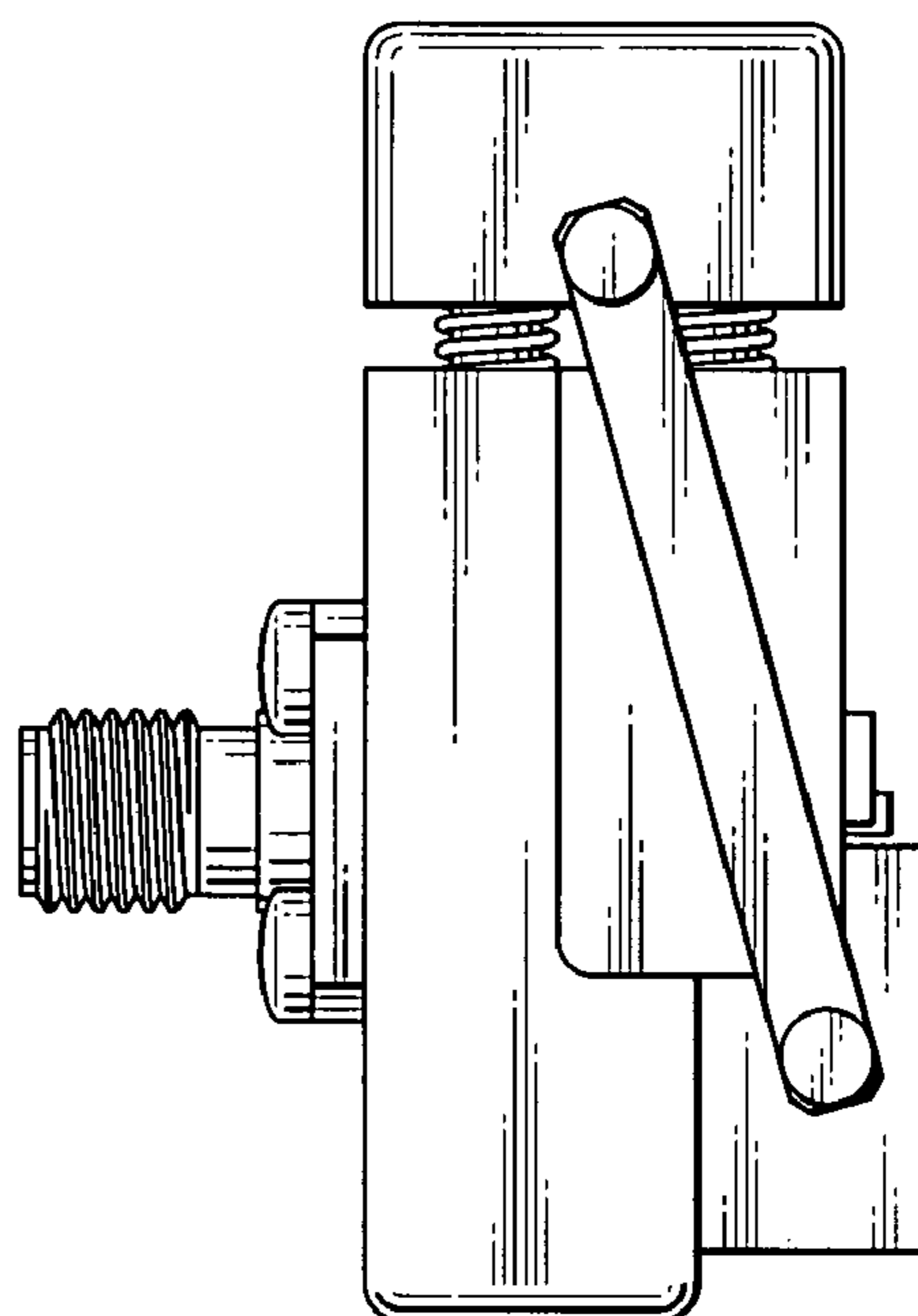


FIG.4

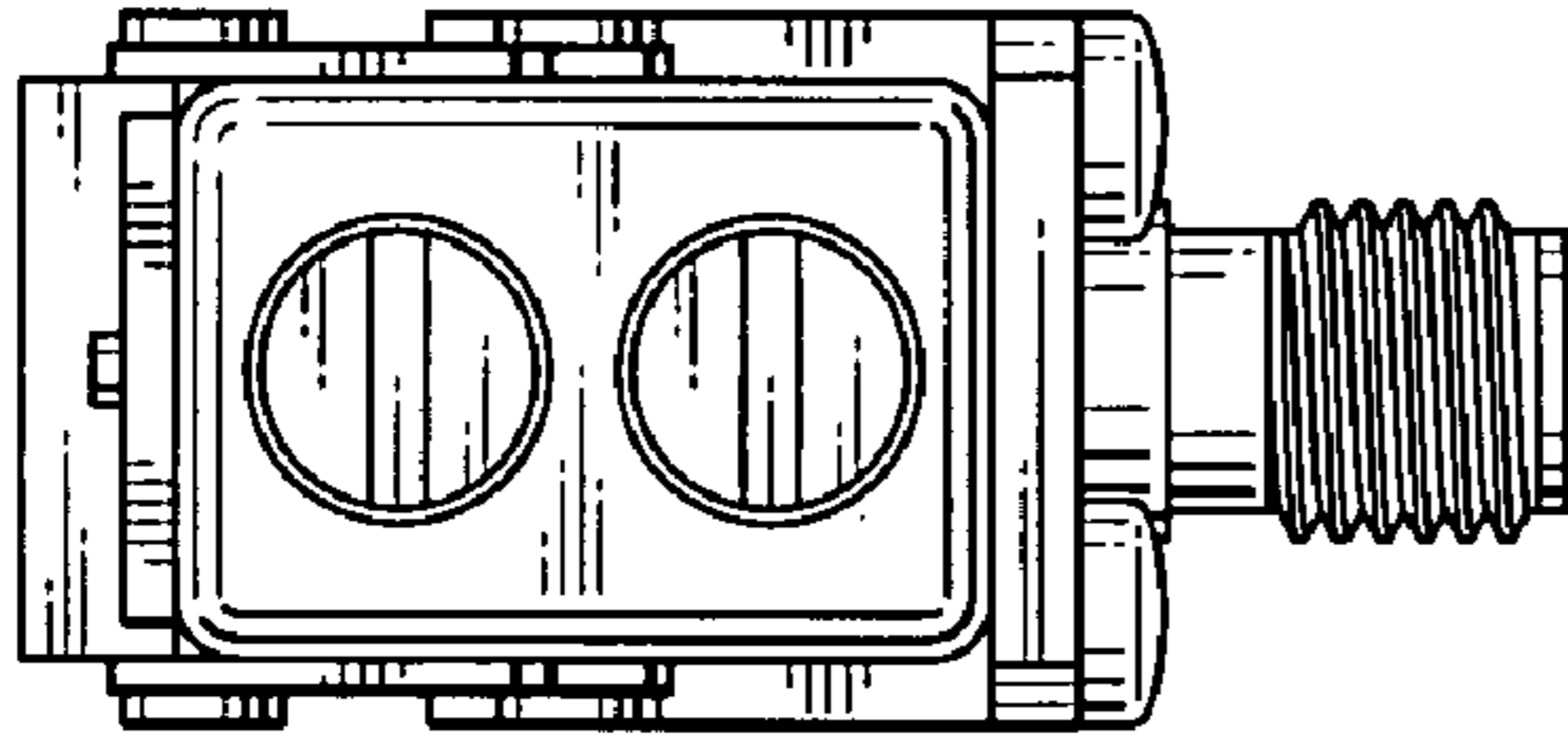


FIG.5

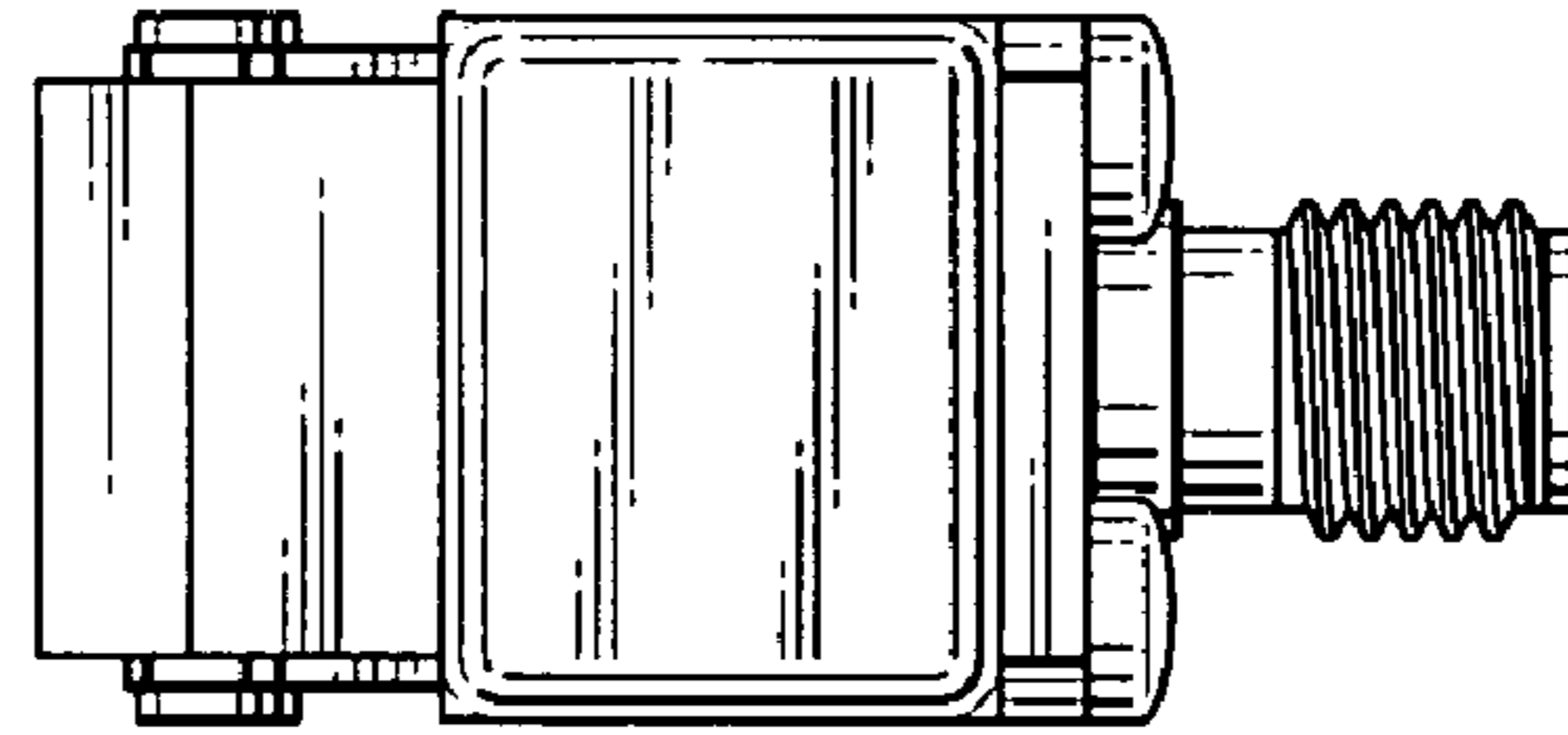


FIG.6

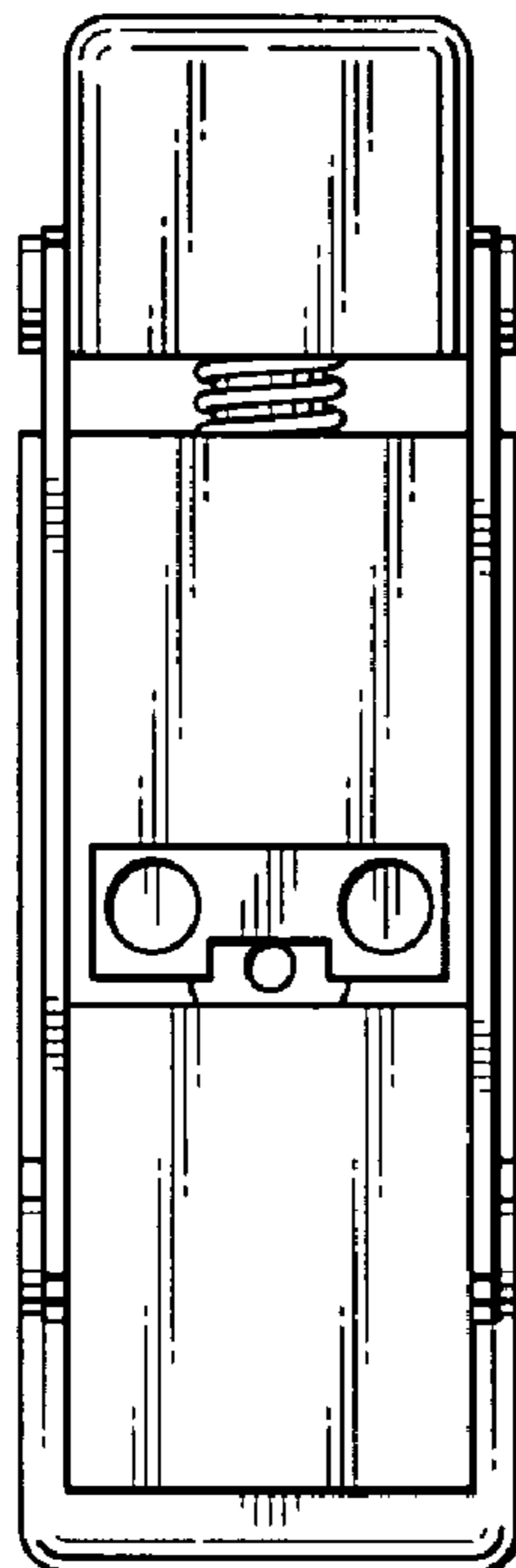


FIG.7

