



US00D586297S

(12) **United States Design Patent**  
**Tago et al.**

(10) **Patent No.:** **US D586,297 S**

(45) **Date of Patent:** **\*\* Feb. 10, 2009**

(54) **ELECTRICAL CONNECTOR**

(75) Inventors: **Atsuo Tago**, Tokyo (JP); **Toru Nomiya**, Tokyo (JP)

(73) Assignee: **Japan Aviation Electronics Industry, Limited**, Tokyo (JP)

(\*\*) Term: **14 Years**

(21) Appl. No.: **29/294,727**

(22) Filed: **Jan. 24, 2008**

(30) **Foreign Application Priority Data**

Aug. 3, 2007 (JP) ..... 2007-021270

(51) **LOC (9) Cl.** ..... **13-03**

(52) **U.S. Cl.** ..... **D13/147**

(58) **Field of Classification Search** ..... D13/146-147,  
D13/154, 184; 439/79, 378, 607-610, 660,  
439/680-682, 686

See application file for complete search history.

(56) **References Cited**

**U.S. PATENT DOCUMENTS**

D408,788 S *	4/1999	Homma	.....	D13/147
D416,863 S *	11/1999	Sato et al.	.....	D13/147
D465,202 S *	11/2002	Kubota	.....	D13/147
6,939,177 B2 *	9/2005	Kato et al.	.....	439/638
D575,236 S *	8/2008	Tago et al.	.....	D13/147

\* cited by examiner

*Primary Examiner*—Daniel D Bui

(74) *Attorney, Agent, or Firm*—Collard & Roe, P.C.

(57) **CLAIM**

The ornamental design for an electrical connector, as shown and described.

**DESCRIPTION**

FIG. 1 is a front elevational view of an electrical connector showing our new design;

FIG. 2 is a rear elevational view thereof;

FIG. 3 is a top plan view thereof;

FIG. 4 is a bottom plan view thereof;

FIG. 5 is a right side elevational view thereof;

FIG. 6 is a left side elevational view thereof;

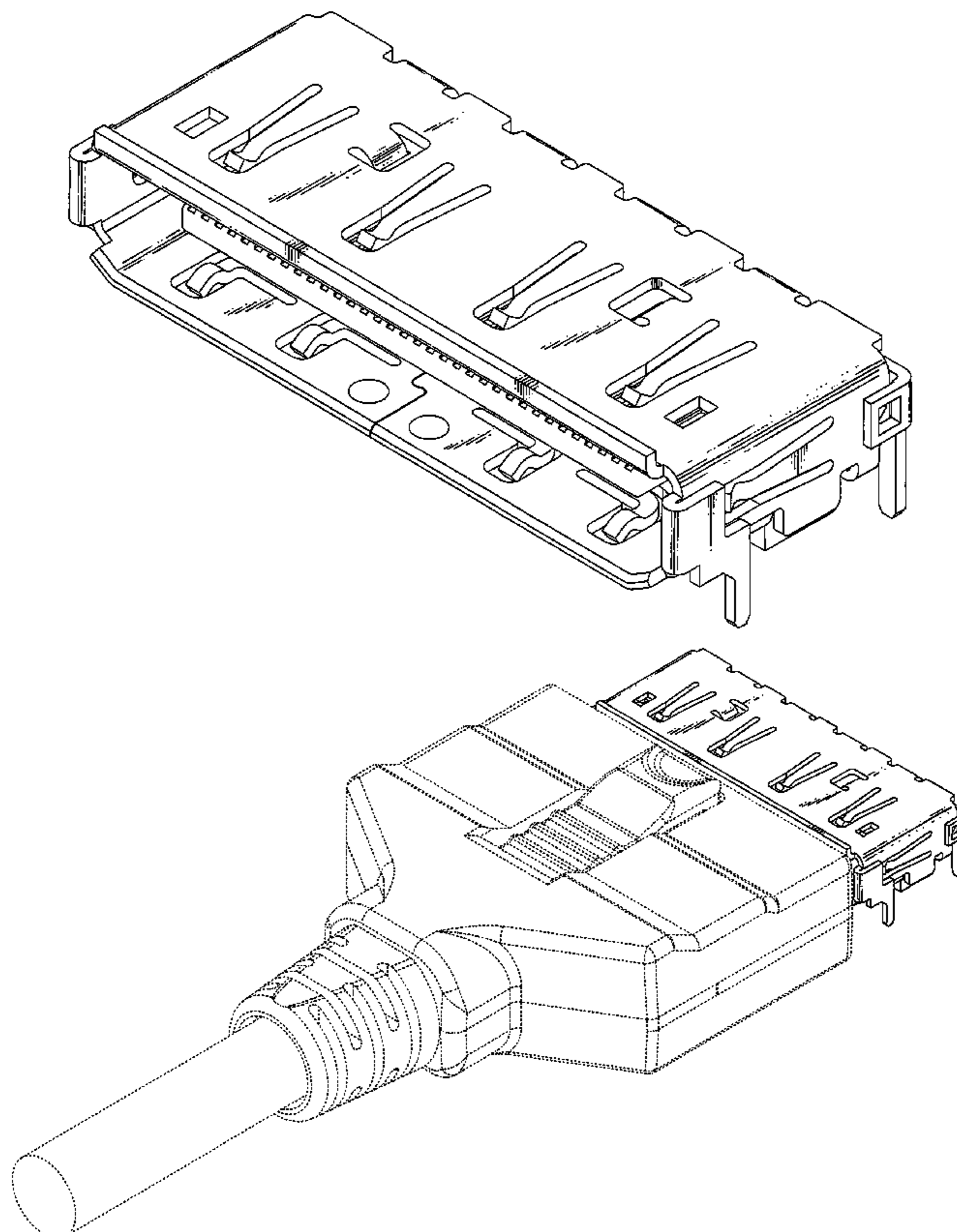
FIG. 7 is a front, right, and top-side perspective view thereof;

FIG. 8 is a rear, right, and bottom-side perspective view thereof; and,

FIG. 9 is a top, left side perspective view thereof, in use condition.

The broken line of the internal elements of the connector shown in FIGS. 1, 5 and 6 is unclaimed subject matter and forms no part of the claimed design.

**1 Claim, 8 Drawing Sheets**



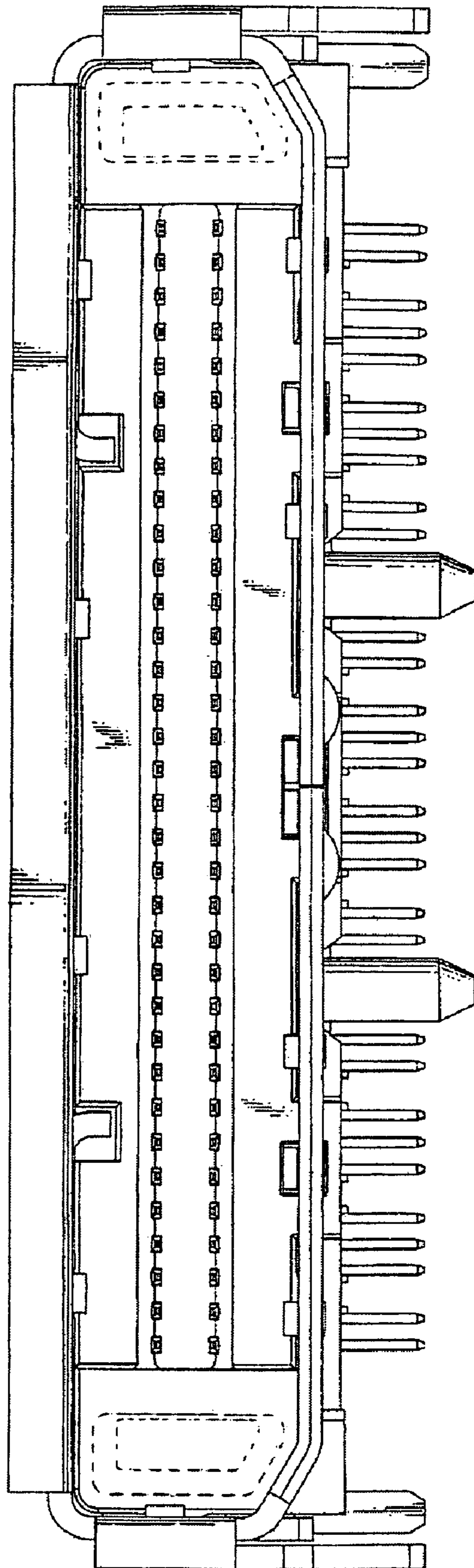


FIG. 1

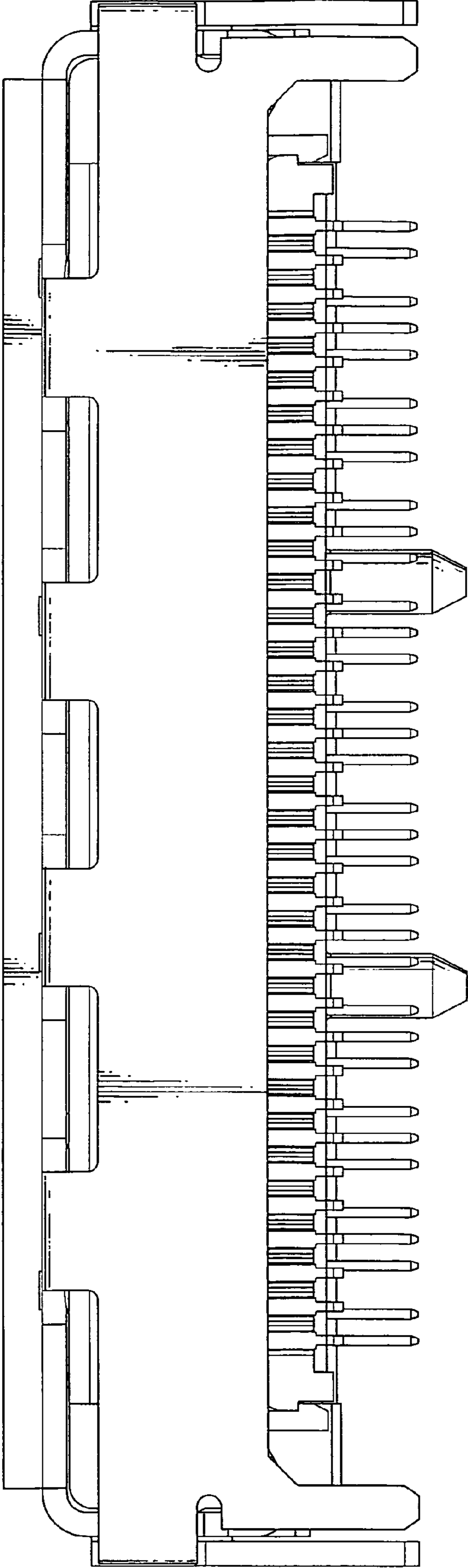


FIG. 2

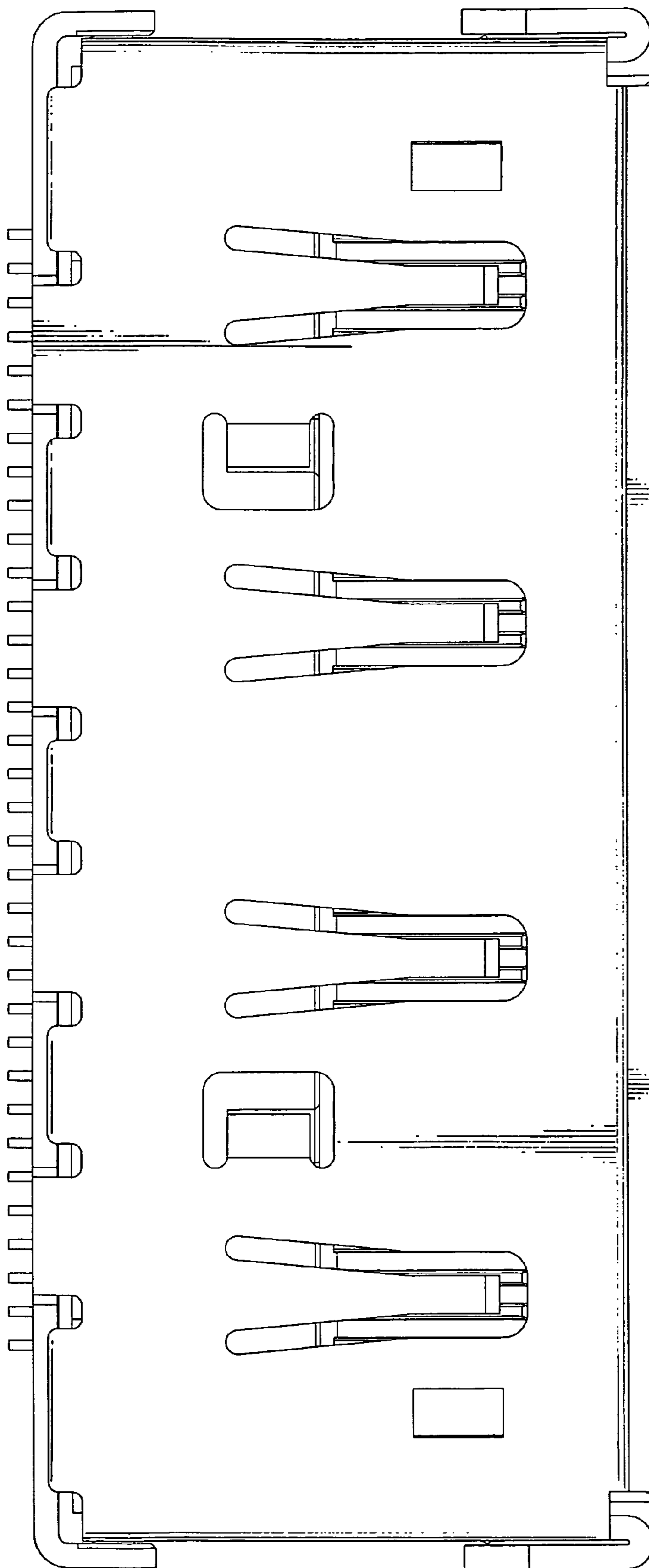


FIG. 3

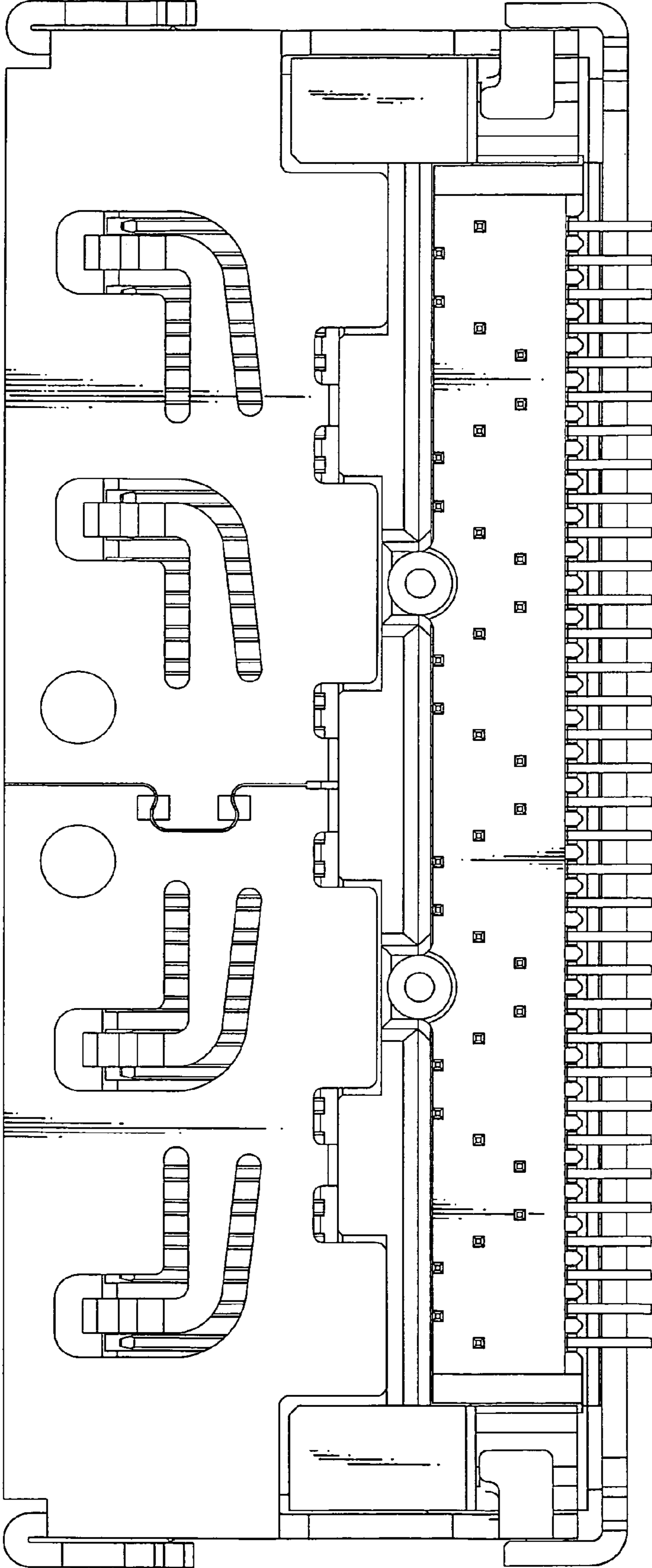


FIG. 4

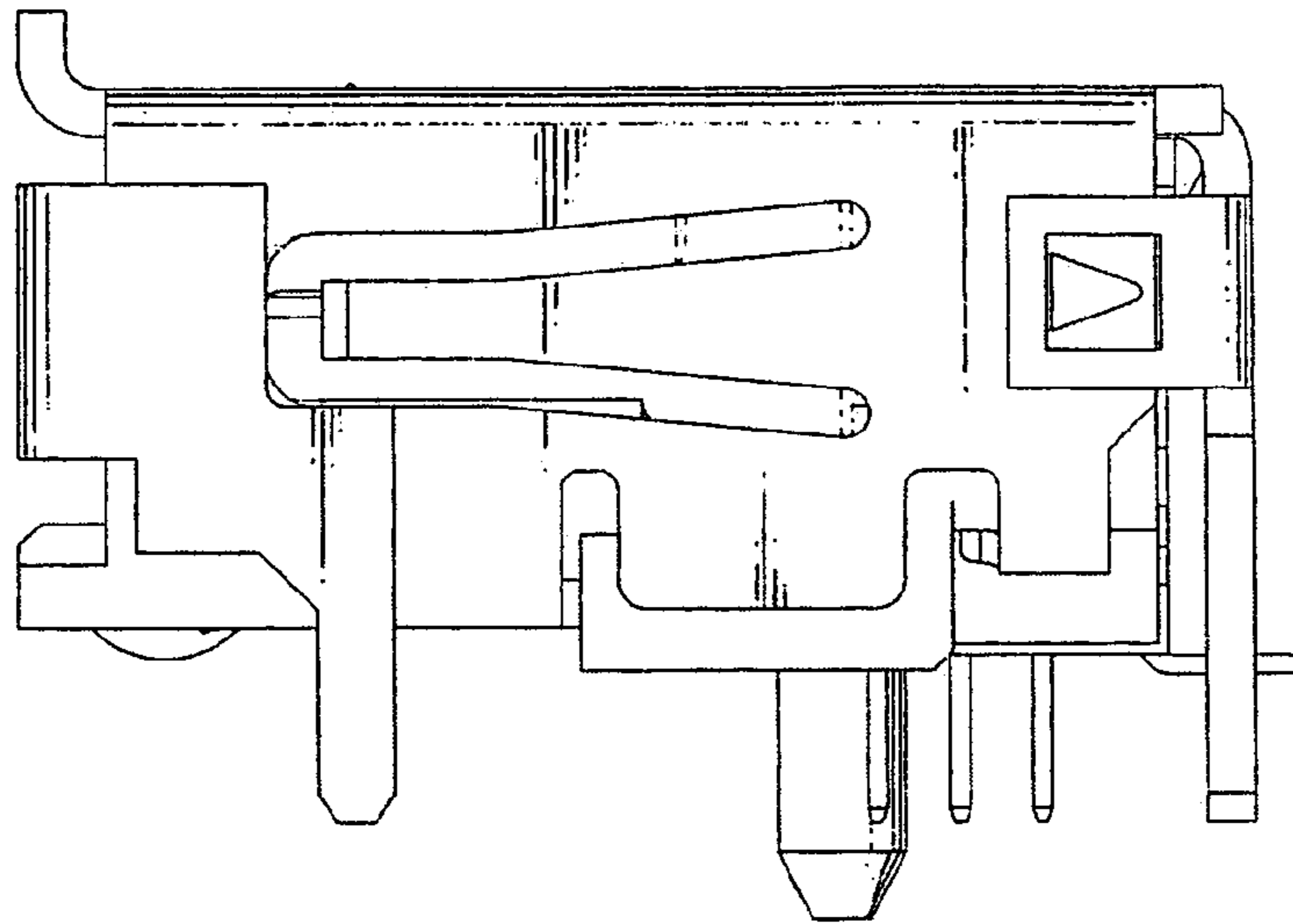


FIG. 5

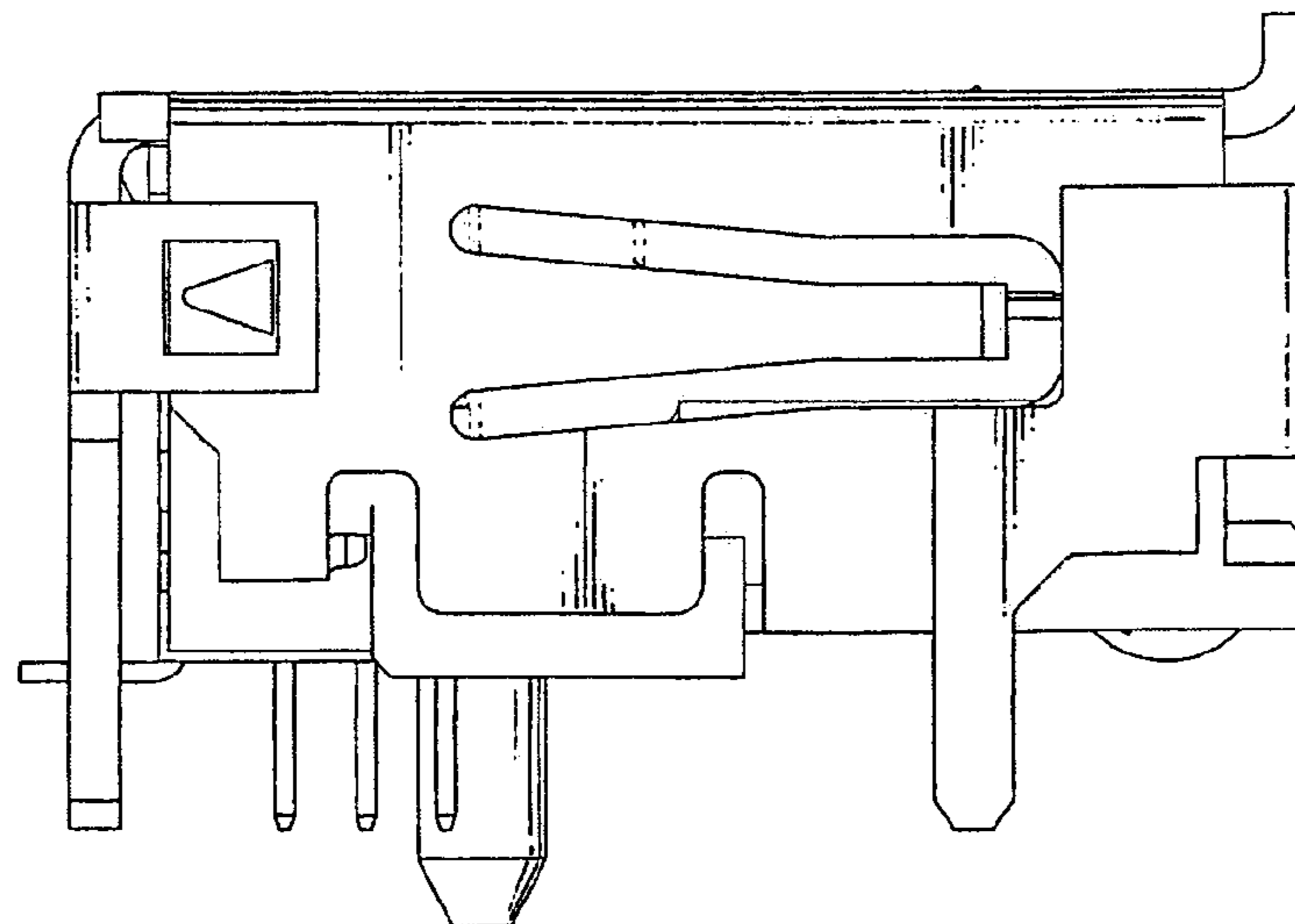


FIG. 6

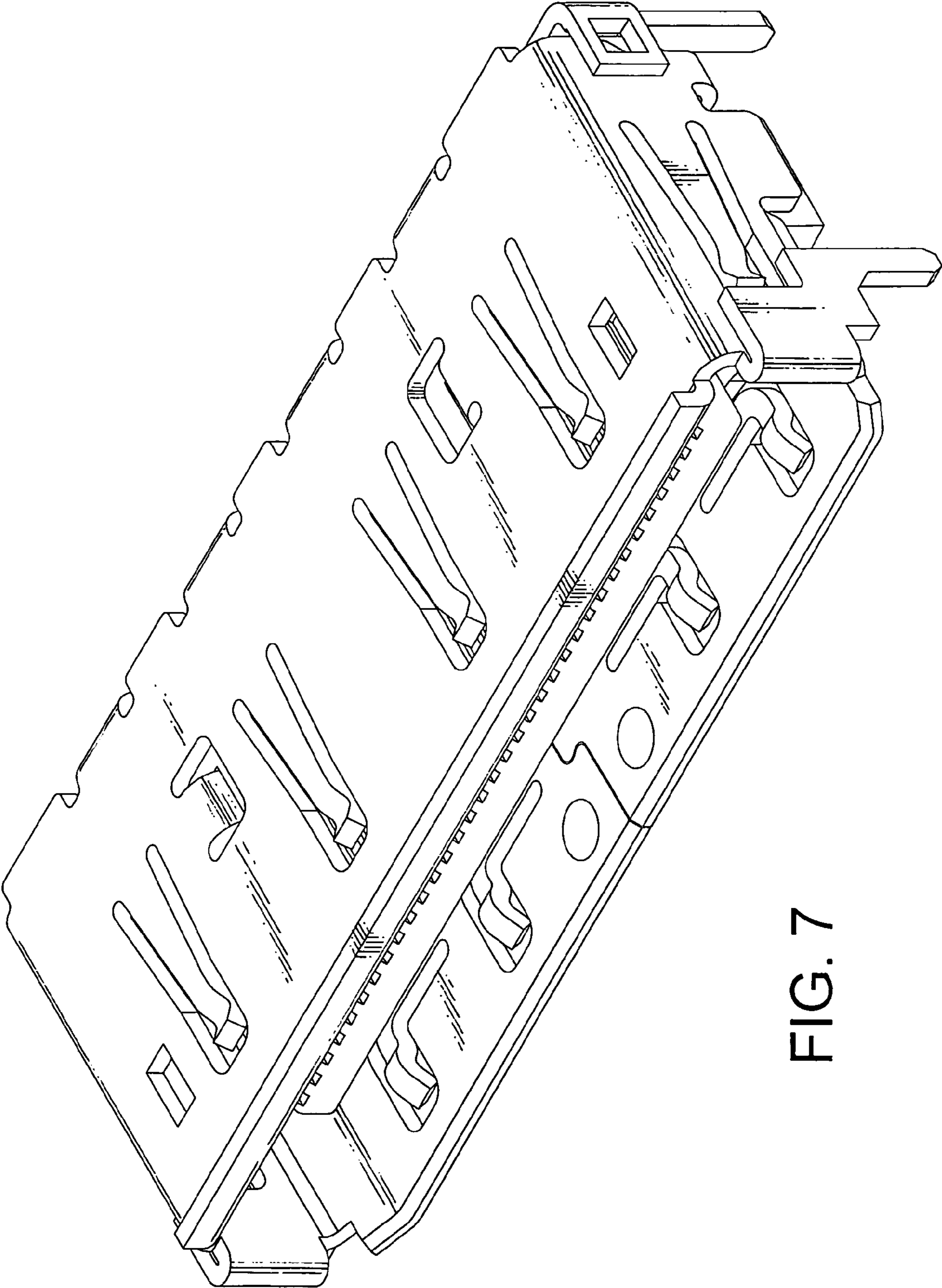


FIG. 7

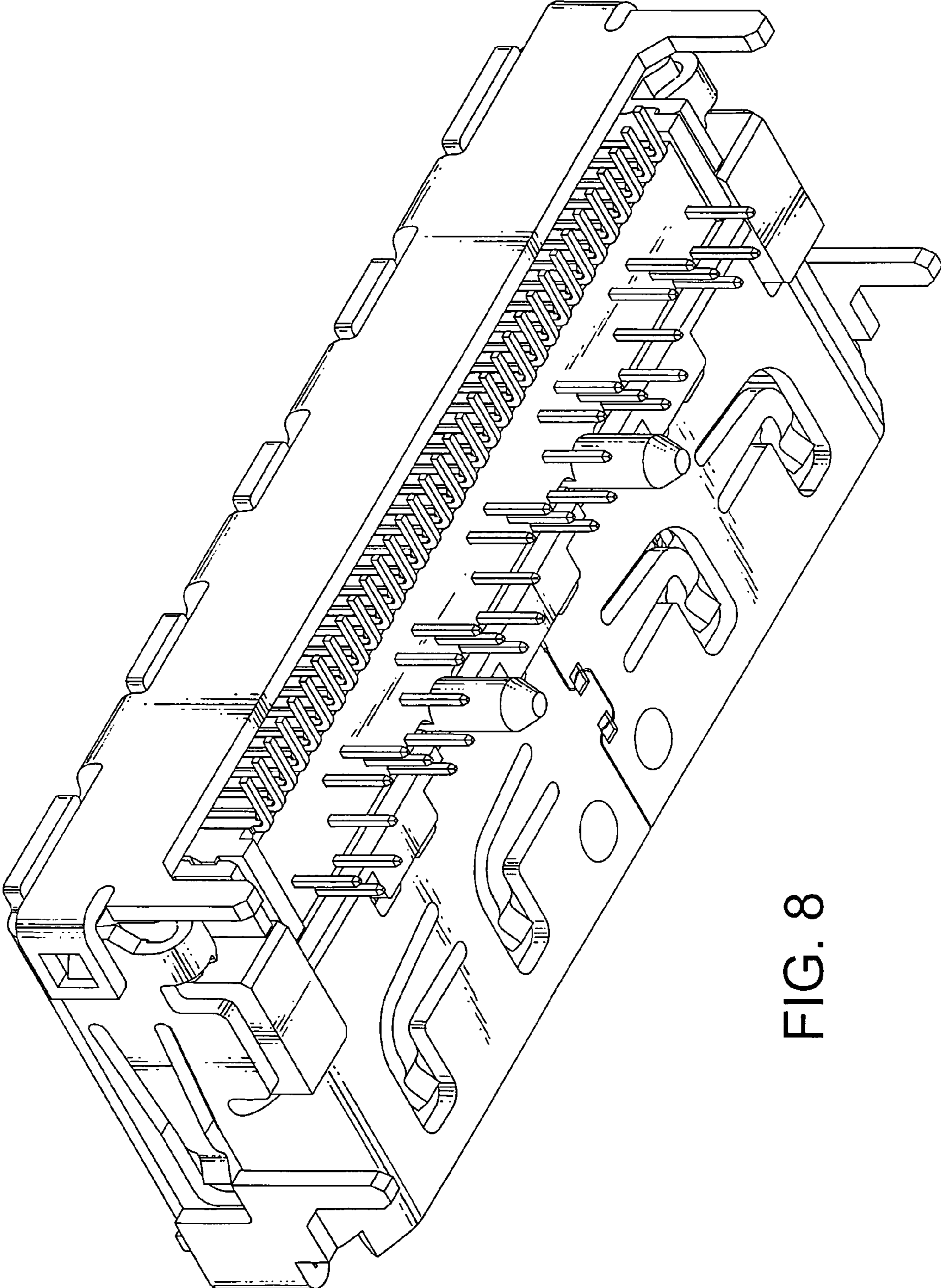


FIG. 8



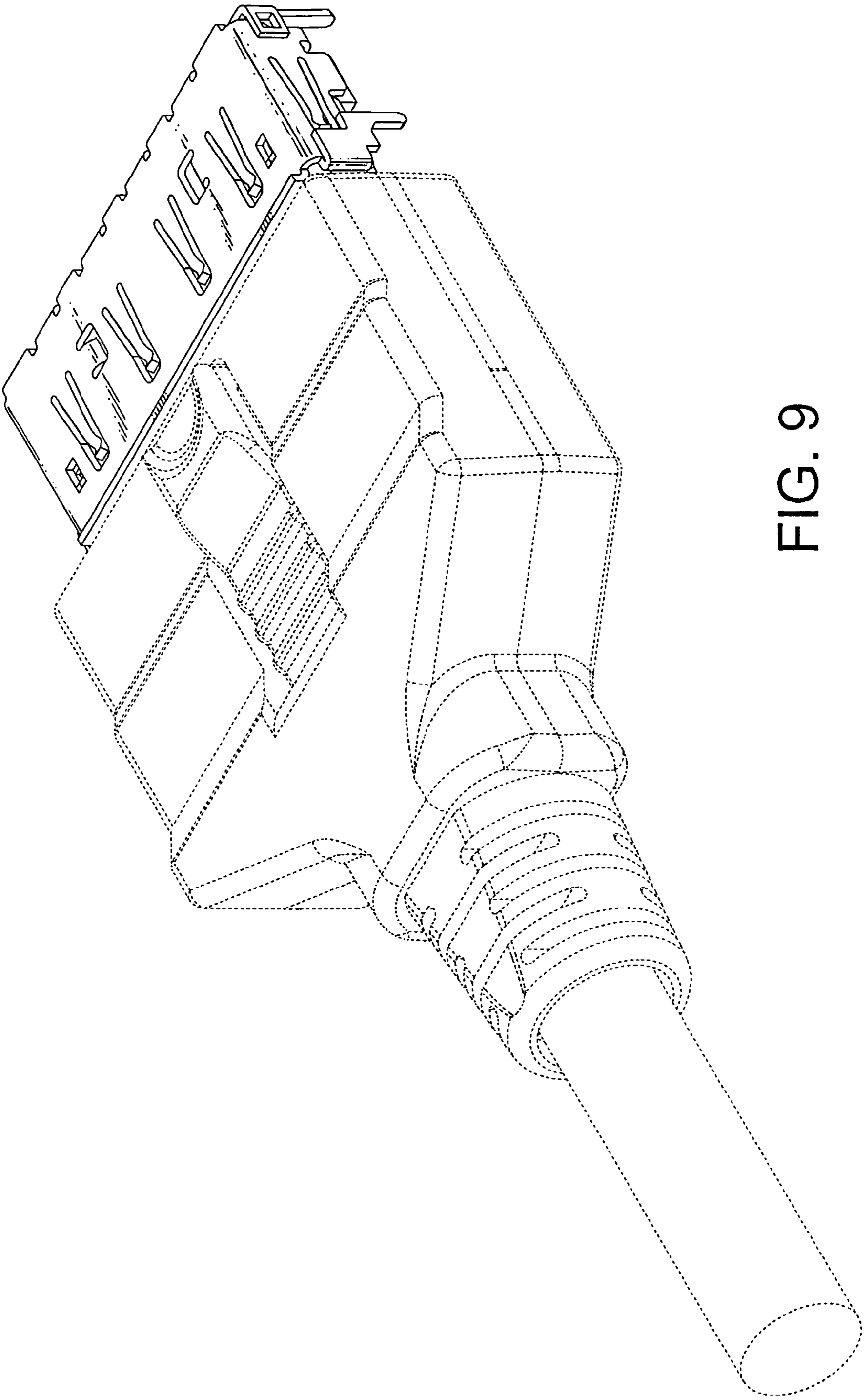


FIG. 9