



US00D586294S

(12) **United States Design Patent**
Lung

(10) **Patent No.:** **US D586,294 S**

(45) **Date of Patent:** **** Feb. 10, 2009**

(54) **ELECTRICAL CONNECTOR**

(75) Inventor: **Ssu-Min Lung**, Tu-cheng (TW)

(73) Assignee: **Hon Hai Precision Ind. Co., Ltd.**,
Taipei Hsien (TW)

(**) Term: **14 Years**

(21) Appl. No.: **29/293,623**

(22) Filed: **Dec. 4, 2007**

(30) **Foreign Application Priority Data**

Jul. 12, 2007 (CN) 2007 3 0042888

(51) **LOC (9) Cl.** **13-03**

(52) **U.S. Cl.** **D13/133; D13/147**

(58) **Field of Classification Search** D13/120,
D13/147, 154, 184; D14/432, 433, 436,
D14/438; 361/684-685; 439/64, 79, 159-160,
439/330-331, 341-342, 607-610, 629-630,
439/660, 946

See application file for complete search history.

(56) **References Cited**

U.S. PATENT DOCUMENTS

6,086,424 A * 7/2000 Chang 439/630
D485,807 S * 1/2004 Kao et al. D13/133

D531,958 S * 11/2006 Yang et al. D13/147
D539,750 S * 4/2007 Takahashi et al. D13/147
D561,695 S * 2/2008 Hung et al. D13/146

FOREIGN PATENT DOCUMENTS

TW D114129 4/1939

* cited by examiner

Primary Examiner—Daniel D Bui

(74) *Attorney, Agent, or Firm*—Wei Te Chung

(57) **CLAIM**

The ornamental design for an electrical connector, as shown.

DESCRIPTION

FIG. 1 is a top, front and left side perspective view of an electrical connector showing my new design;

FIG. 2 is a rear elevational view thereof;

FIG. 3 is a front elevational view thereof;

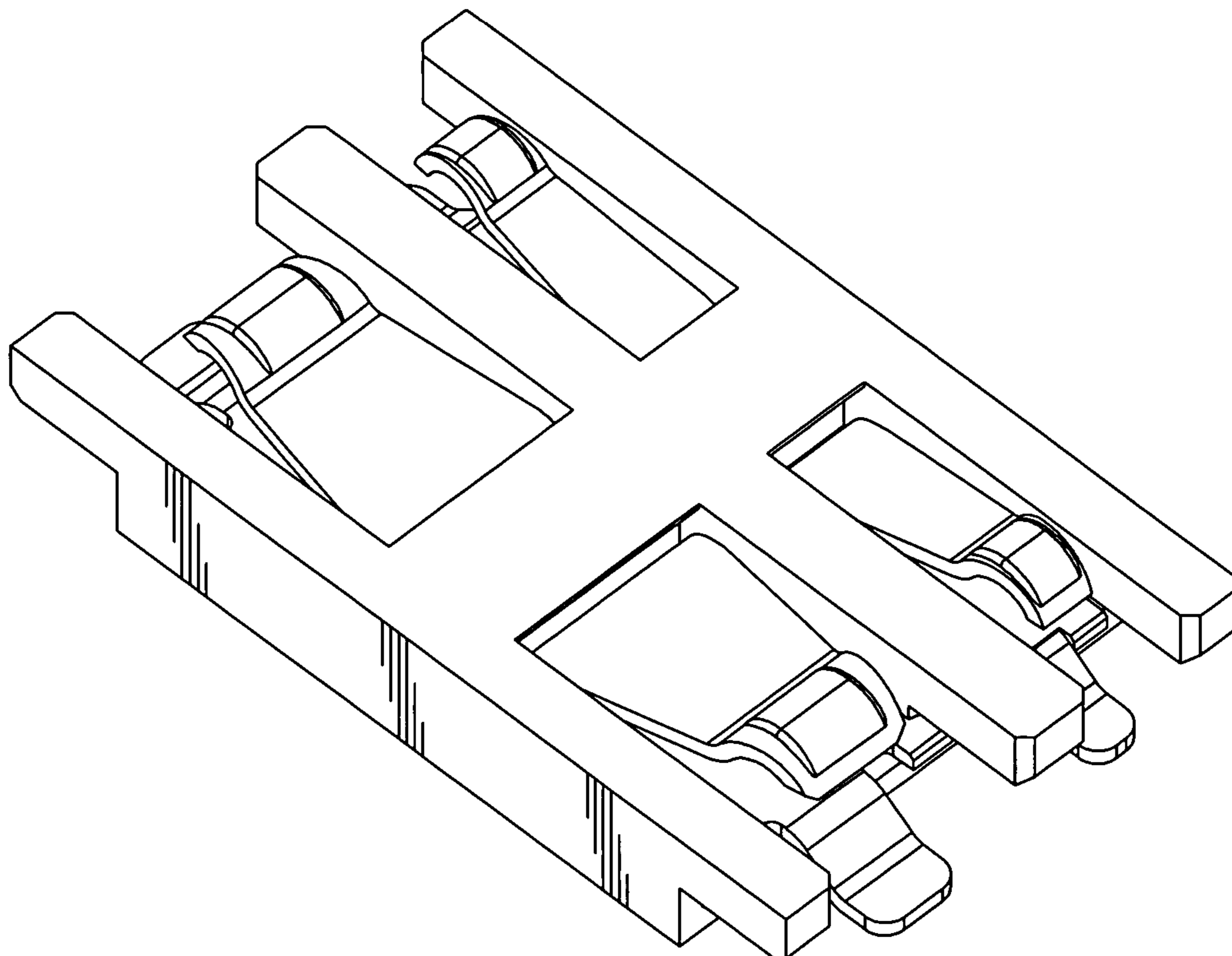
FIG. 4 is a left side elevational view thereof;

FIG. 5 is a right side elevational view thereof;

FIG. 6 is a top plan view thereof; and,

FIG. 7 is a bottom plan view thereof.

1 Claim, 7 Drawing Sheets



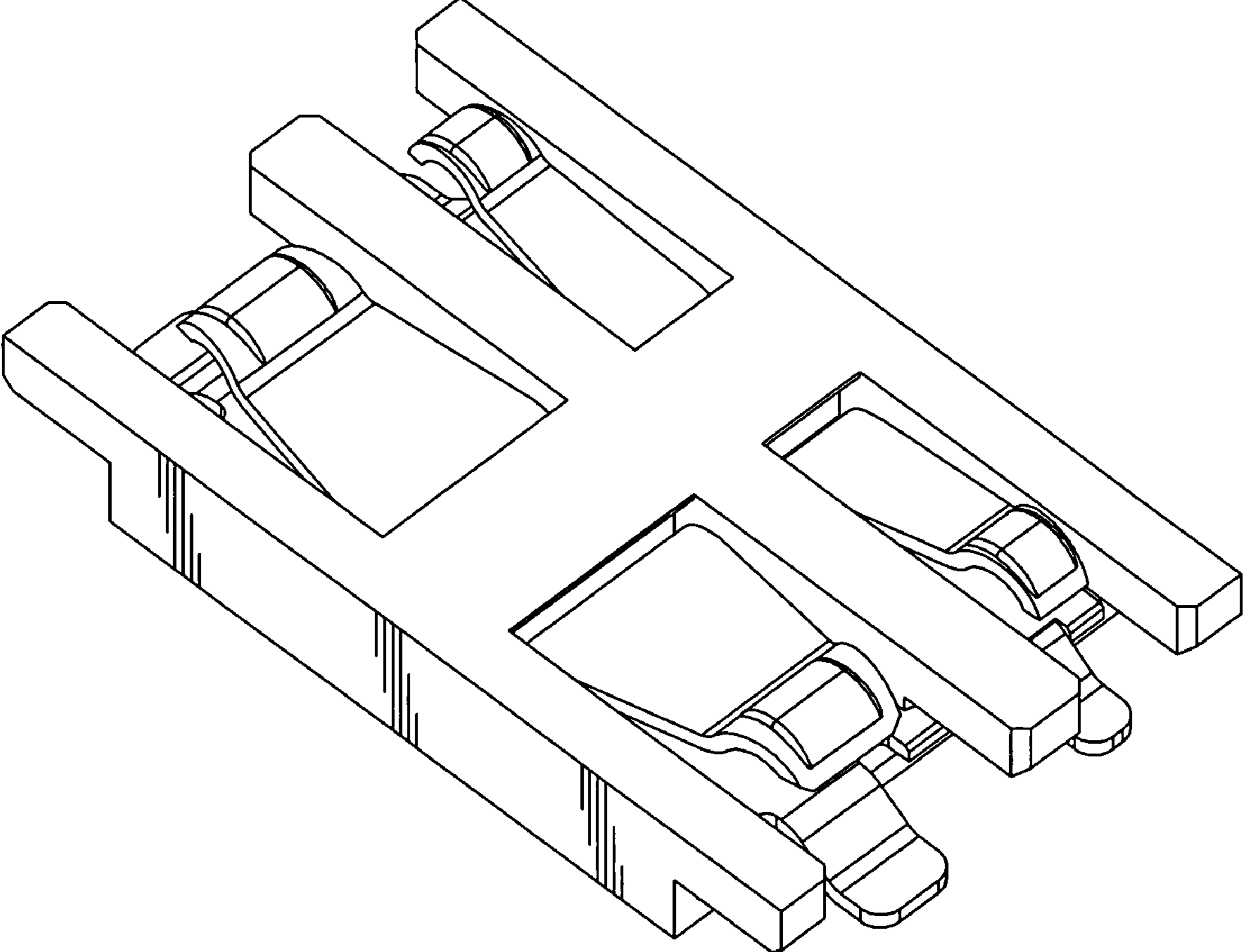


FIG. 1

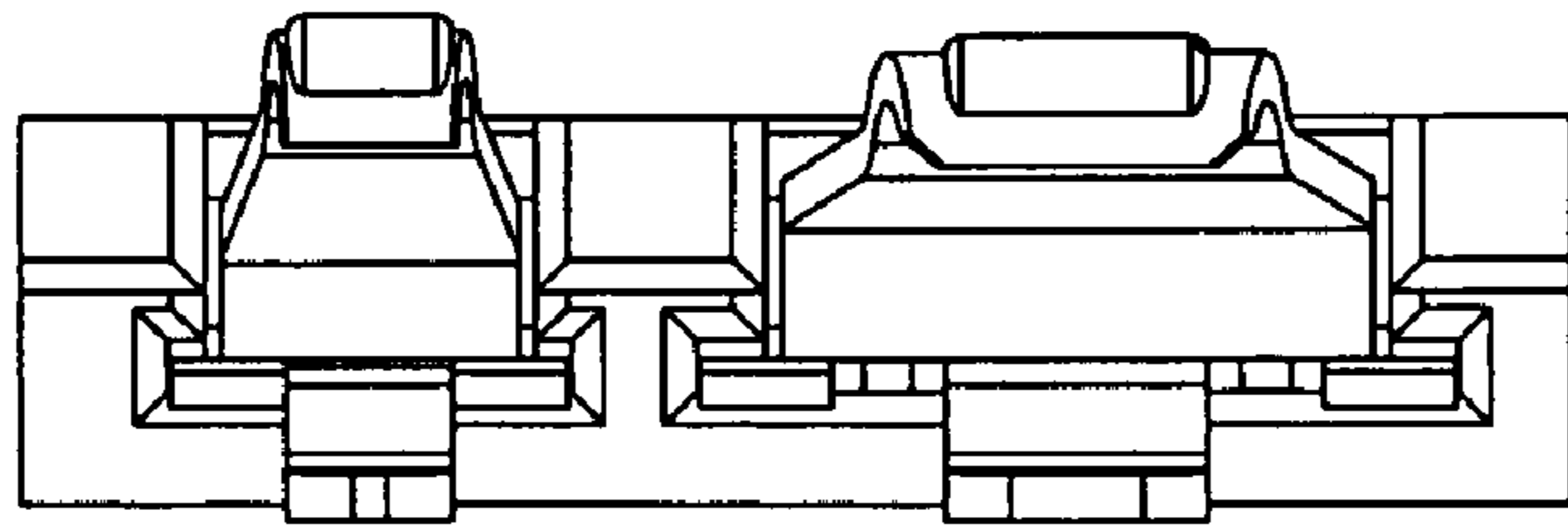


FIG. 2

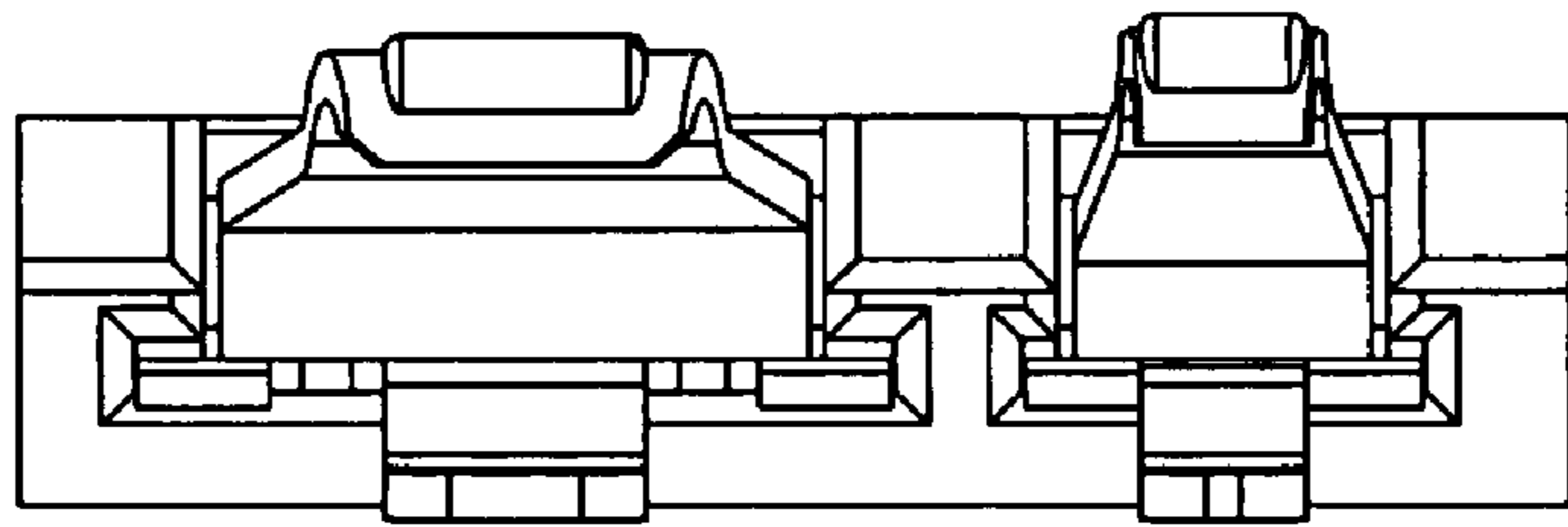


FIG. 3

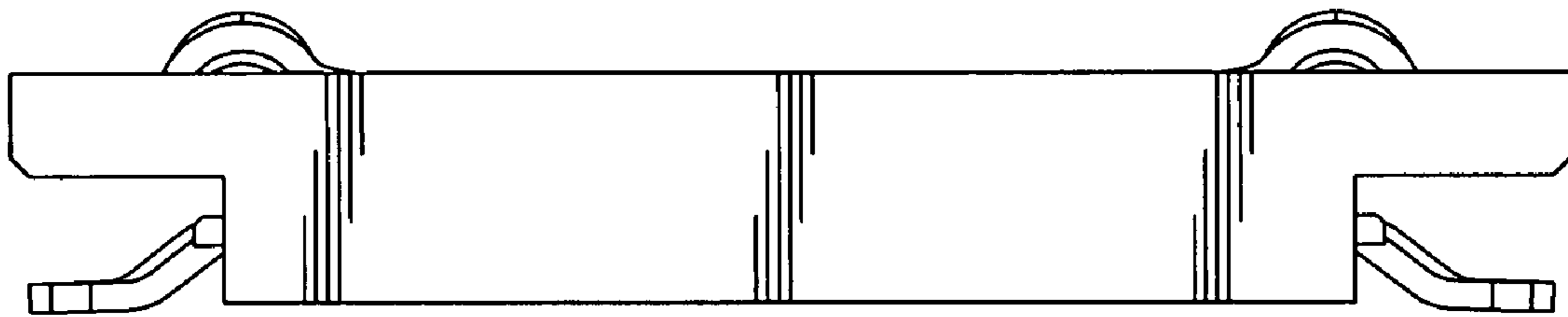


FIG. 4

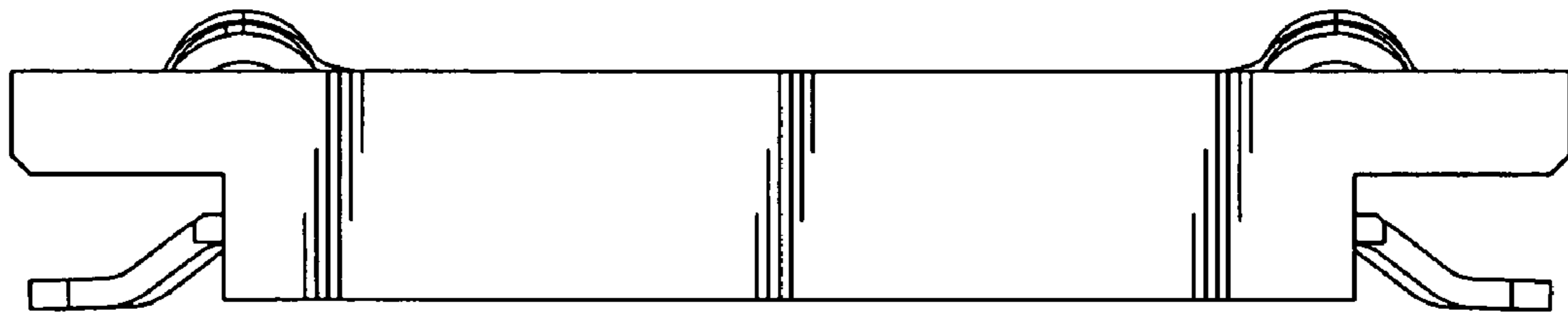


FIG. 5

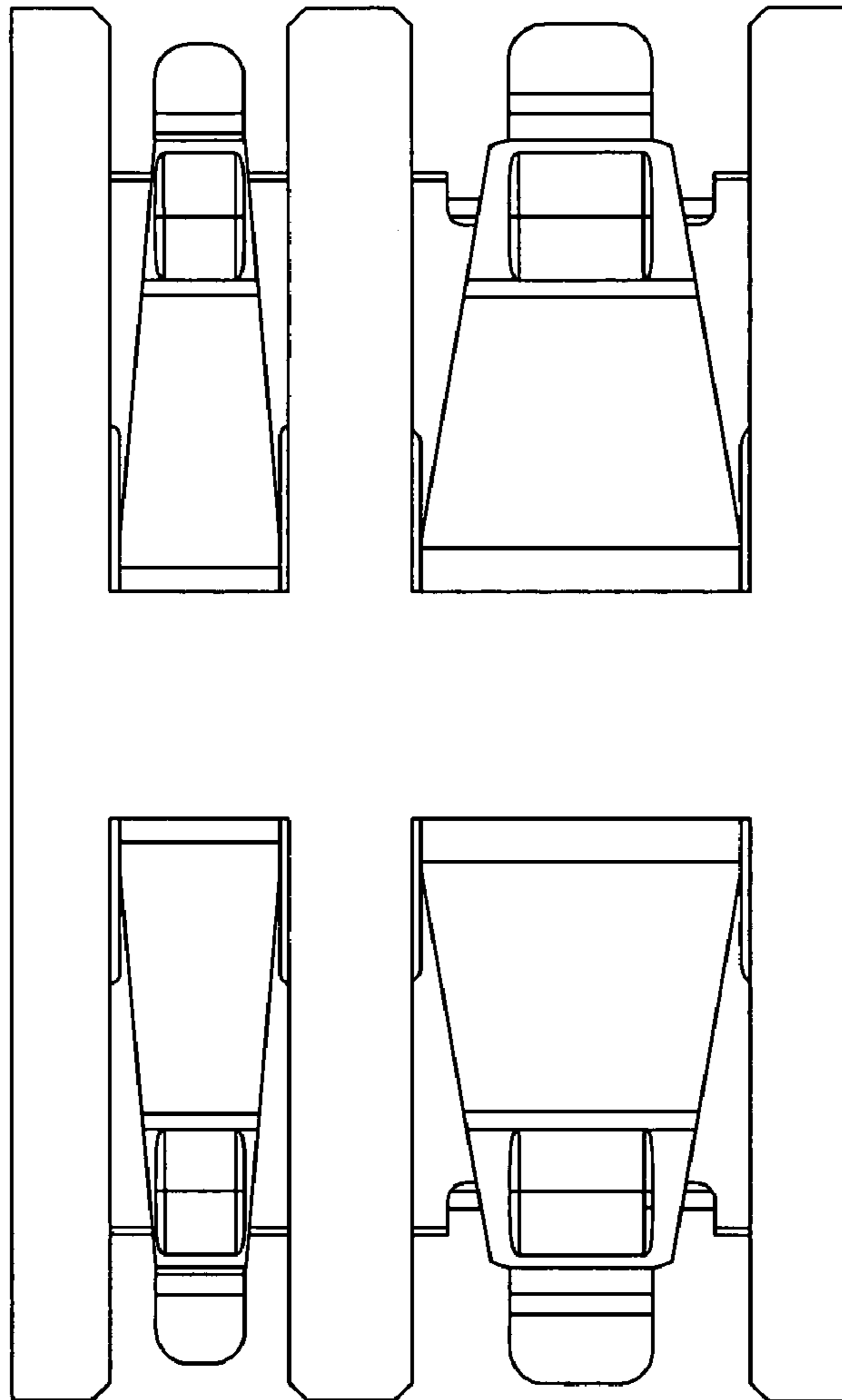


FIG. 6

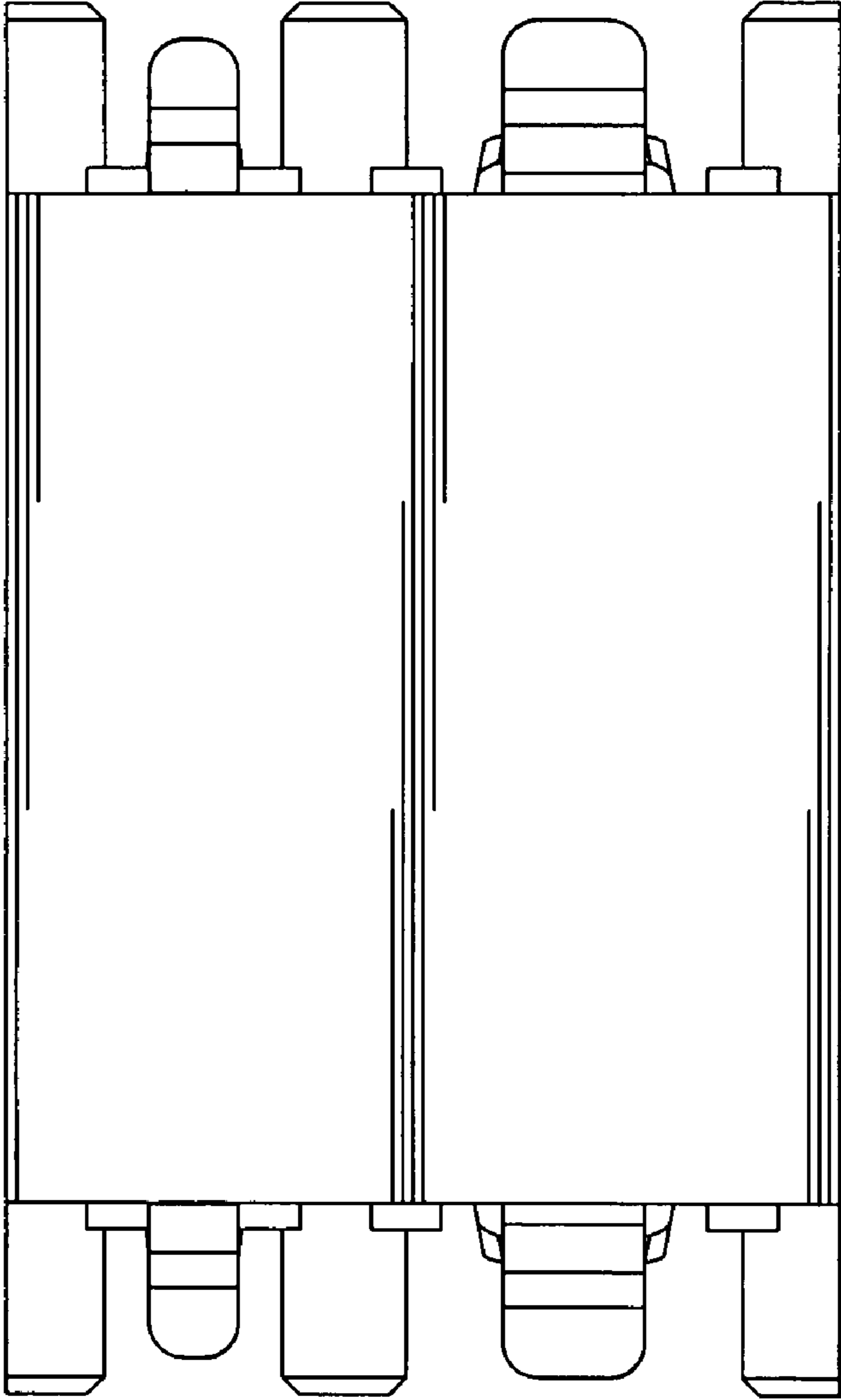


FIG. 7