



US00D586292S

(12) **United States Design Patent**
Hara

(10) **Patent No.:** **US D586,292 S**
(45) **Date of Patent:** **** Feb. 10, 2009**

(54) **SMALL-SIZED MOTOR**
(75) Inventor: **Kentaro Hara**, Tokyo (JP)
(73) Assignee: **Nidec Copal Corporation** (JP)
(**) Term: **14 Years**
(21) Appl. No.: **29/283,766**
(22) Filed: **Aug. 23, 2007**
(30) **Foreign Application Priority Data**
Feb. 23, 2007 (JP) 2007-004586
(51) **LOC (9) Cl.** **13-01**
(52) **U.S. Cl.** **D13/112**
(58) **Field of Classification Search** D13/112,
D13/113, 114, 122, 199; 310/15, 40, 81,
310/89; 340/388.1, 407.1; 381/191
See application file for complete search history.

(56) **References Cited**
U.S. PATENT DOCUMENTS
D287,715 S * 1/1987 Pittman et al. D13/112
D372,457 S * 8/1996 Okuyama et al. D13/112
5,909,074 A 6/1999 Takaya et al.
5,952,745 A * 9/1999 Yasuda 310/40 MM
5,986,367 A 11/1999 Tsuzaki et al.
6,081,055 A 6/2000 Narusawa et al.
6,133,657 A 10/2000 Semenik et al.
6,323,757 B1 11/2001 Nagai et al.
D464,621 S * 10/2002 Segawa D13/112
2002/0158528 A1 * 10/2002 Tzuzaki et al. 310/81
2002/0195890 A1 12/2002 Sun
2003/0107276 A1 * 6/2003 Chen 310/81

FOREIGN PATENT DOCUMENTS
JP D1020206 1/1989
JP D987371 5/1997
JP D987372 5/1997
JP D999547 9/1997
JP D999547-1 11/1997
JP D999547-2 11/1997
JP D999547-3 11/1997
JP D1020206-1 6/1998

JP	2000-050559	2/2000
JP	2000-237683	9/2000
JP	D1091441	9/2000
JP	D1095897	10/2000
JP	D1100288	12/2000
JP	D1100289	12/2000
JP	D1107992	3/2001
JP	D1115958	5/2001
JP	D1194207	11/2003
JP	D1219088	8/2004
JP	D1255262	9/2005
JP	D2007-4586	2/2007
JP	D. 1313792	10/2007
KR	3003262770000	6/2003
KR	3003558660000	7/2004
TW	417348	1/2001
TW	519346	1/2003
TW	537776	6/2003

* cited by examiner
Primary Examiner—Prabhakar Deshmukh
Assistant Examiner—Derrick Holland
(74) *Attorney, Agent, or Firm*—Darby & Darby

(57) **CLAIM**
The ornamental design for small-sized motor, as shown and described.

DESCRIPTION
FIG. 1 is a top left perspective view of my new design for a small-sized motor;
FIG. 2 is a left side view thereof;
FIG. 3 is a right side view thereof;
FIG. 4 is a top plan view thereof;
FIG. 5 is a bottom plan view thereof;
FIG. 6 is a rear view thereof; and,
FIG. 7 is a front view of my new design for a small-sized motor.
The claim has been shown broken away for ease of illustration to show indeterminate length.

1 Claim, 2 Drawing Sheets

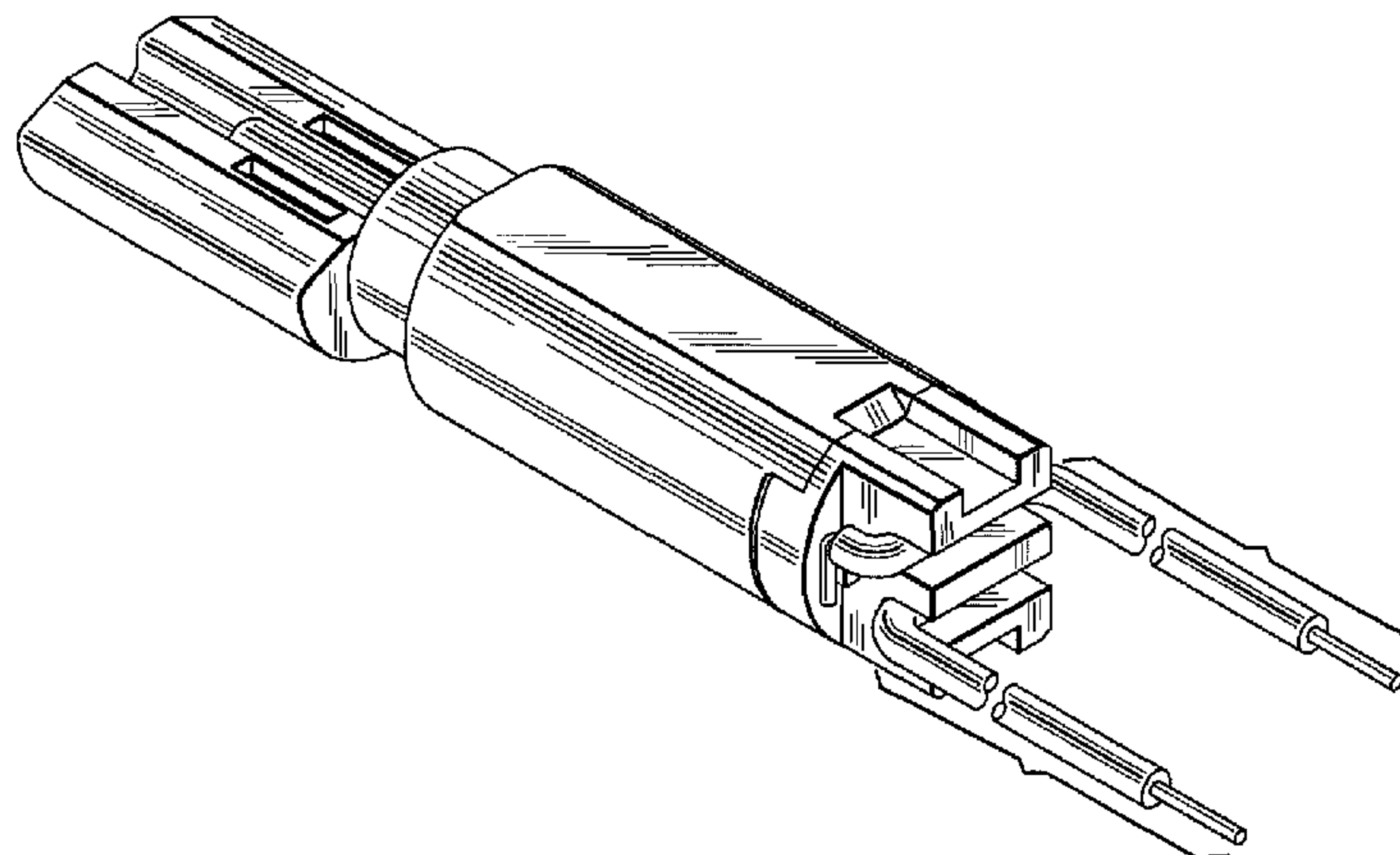


Figure 1

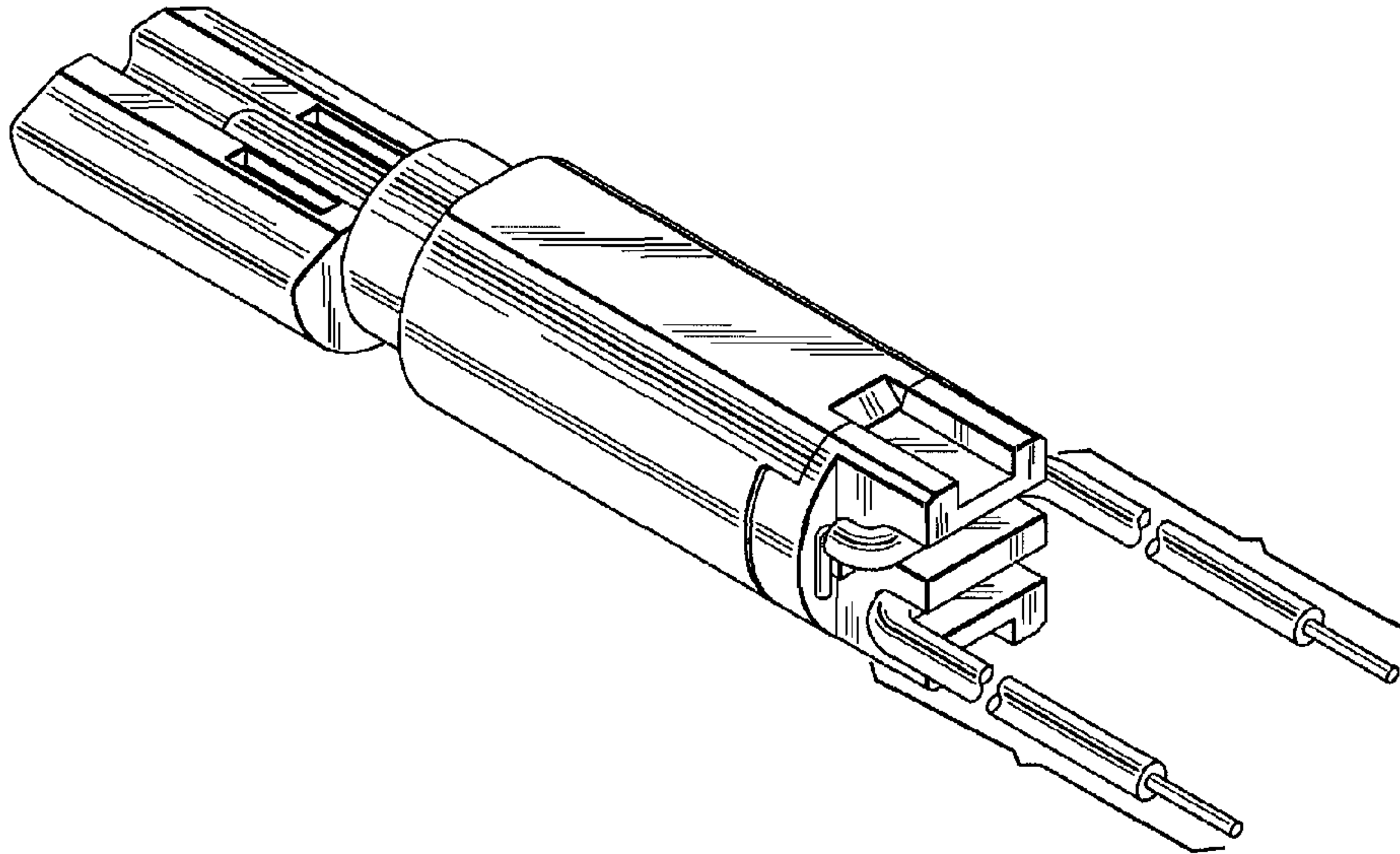


Figure 2

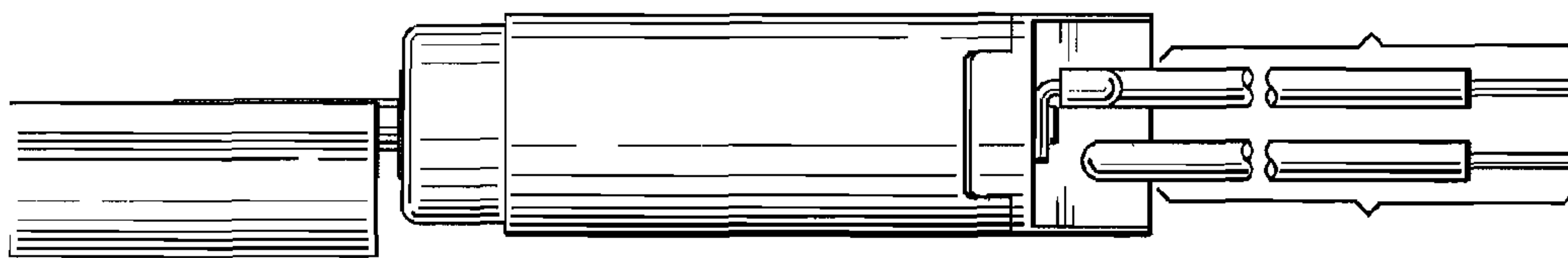


Figure 3

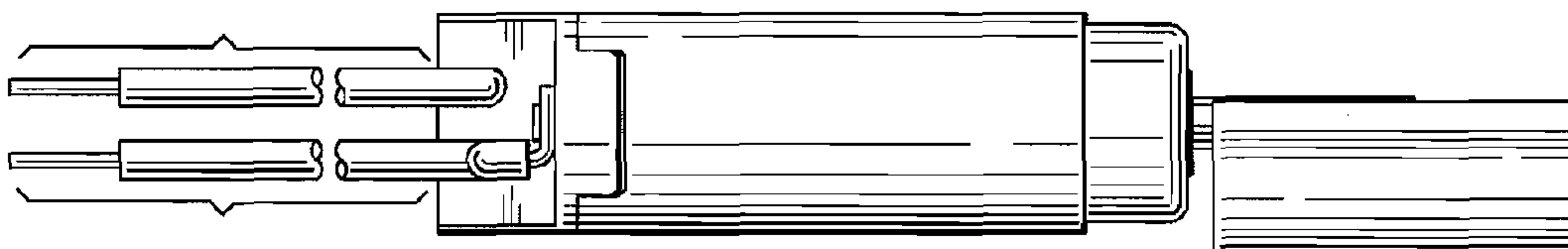


Figure 4

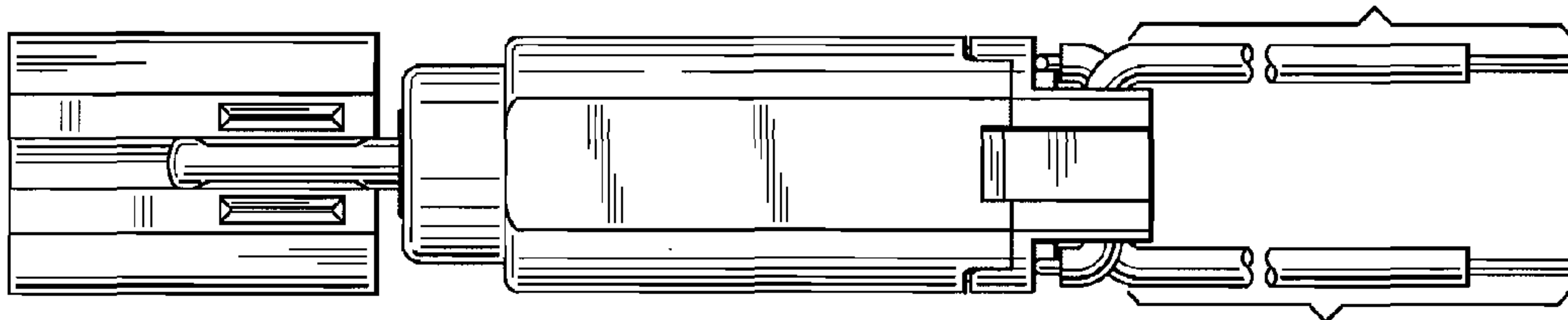


Figure 5

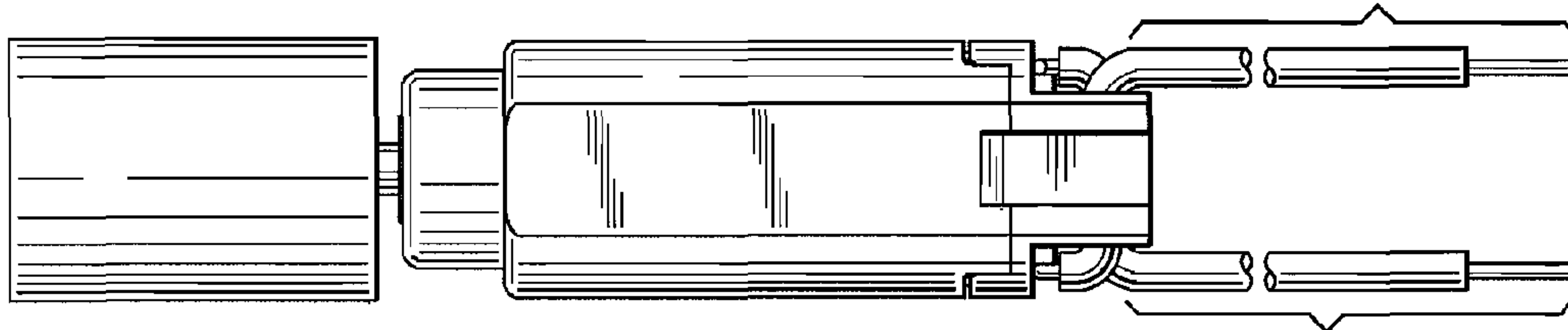


Figure 6

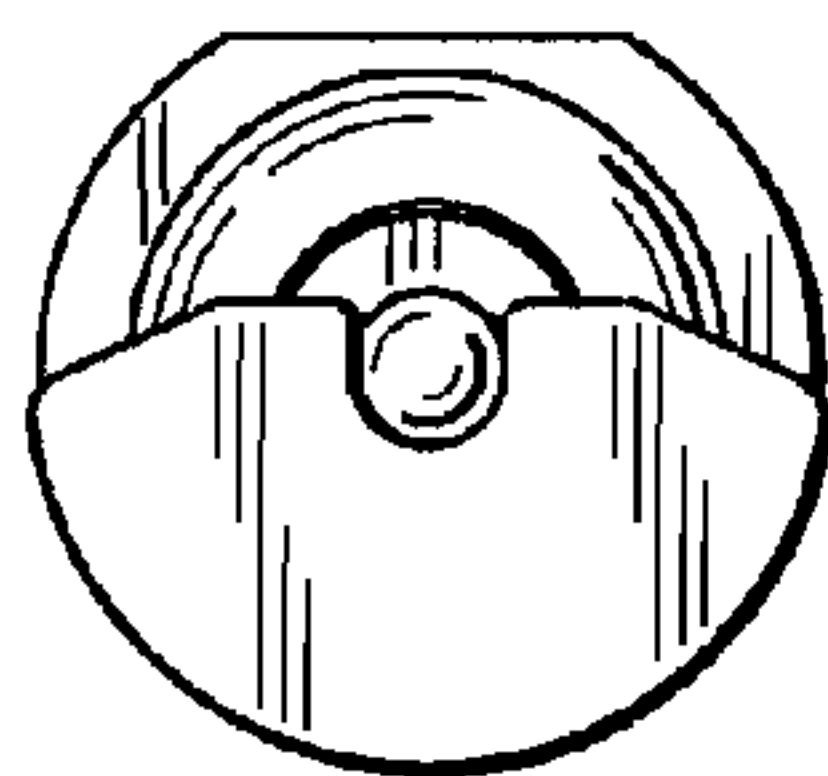


Figure 7

