



US00D586291S

(12) **United States Design Patent**
Wei

(10) **Patent No.:** **US D586,291 S**
(45) **Date of Patent:** **** Feb. 10, 2009**

(54) **PORTABLE SOLAR INVERTER**

D528,501 S * 9/2006 Lam D13/102

(76) Inventor: **Cheng-Tsung Wei**, No. 48, Lane 798, Ta Wan Road, Yung Kang City, Tainan Hsien (TW) 710

* cited by examiner

Primary Examiner—Prabhakar Deshmukh

Assistant Examiner—Derrick Holland

(74) *Attorney, Agent, or Firm*—Bacon & Thomas, PLLC

(**) Term: **14 Years**

(21) Appl. No.: **29/300,491**

(57) **CLAIM**

(22) Filed: **Apr. 2, 2008**

The ornamental design for a portable solar inverter, as shown and described.

(51) **LOC (9) Cl.** **13-02**

(52) **U.S. Cl.** **D13/102**

(58) **Field of Classification Search** D13/102,
D13/101, 110, 116, 199; 136/244, 245, 246,
136/251, 256, 259; 361/600, 601, 707, 728
See application file for complete search history.

DESCRIPTION

FIG. 1 is a perspective view of a portable solar inverter showing my new design;

FIG. 2 is a front elevational view thereof;

FIG. 3 is a rear elevational view thereof;

FIG. 4 is a left side elevational view thereof;

FIG. 5 is a right side elevational view thereof;

FIG. 6 is a top plan view thereof;

FIG. 7 is a bottom plan view thereof; and,

FIG. 8 is another perspective view thereof, shown in position for use.

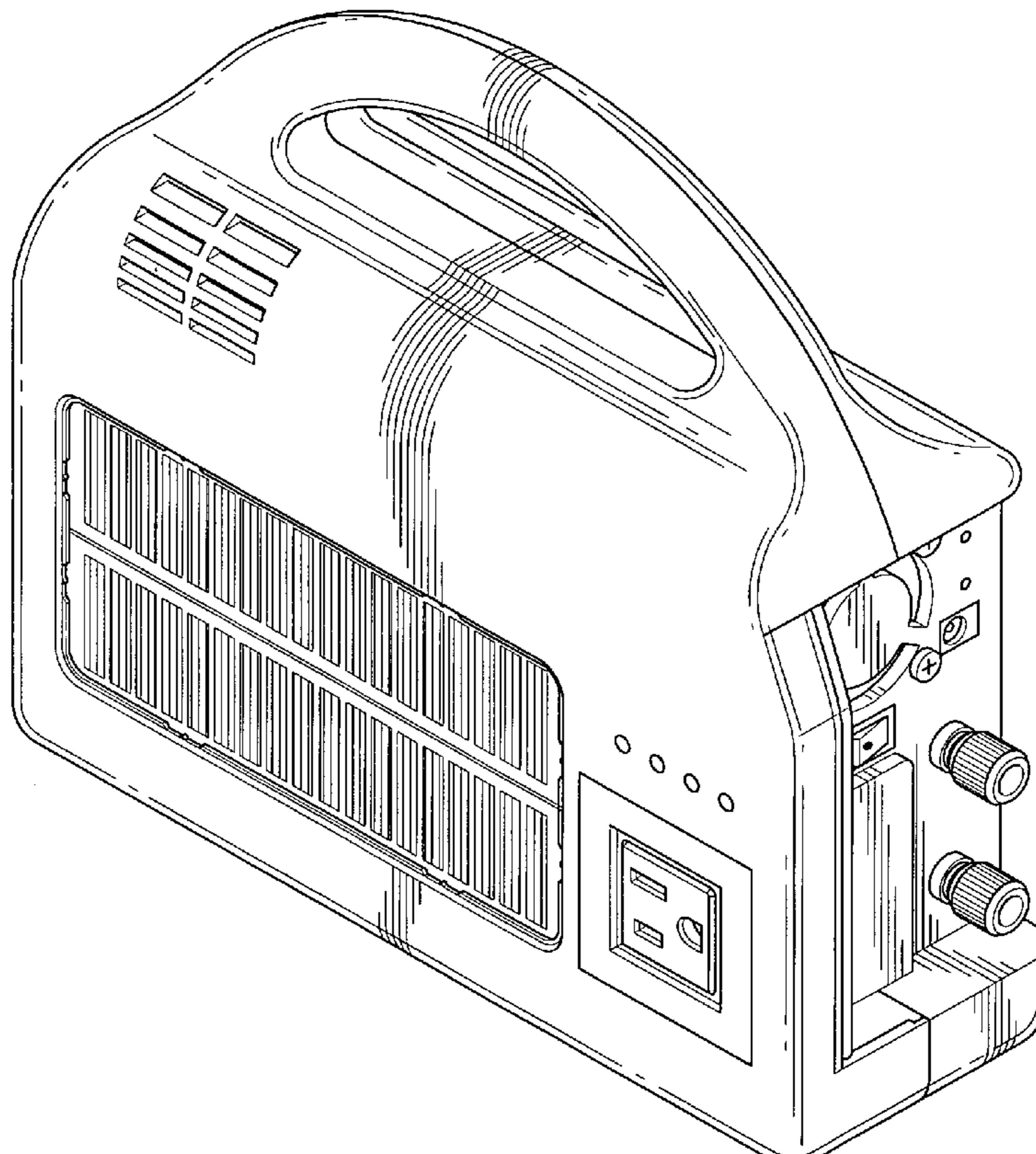
The circular elements shown in broken lines in FIG. 6 represent the portions of the design that form no part of the claim.

(56) **References Cited**

U.S. PATENT DOCUMENTS

D328,058 S *	7/1992	Suzuki et al.	D13/110
D330,701 S *	11/1992	Suzuki et al.	D13/162
5,522,943 A *	6/1996	Spencer et al.	136/245
D391,921 S *	3/1998	Zimmer et al.	D13/102
D427,146 S *	6/2000	Wei	D13/110
D490,051 S *	5/2004	Kikumoto	D13/102
D504,662 S *	5/2005	Person et al.	D13/110
D507,528 S *	7/2005	Feldman et al.	D13/110

1 Claim, 5 Drawing Sheets



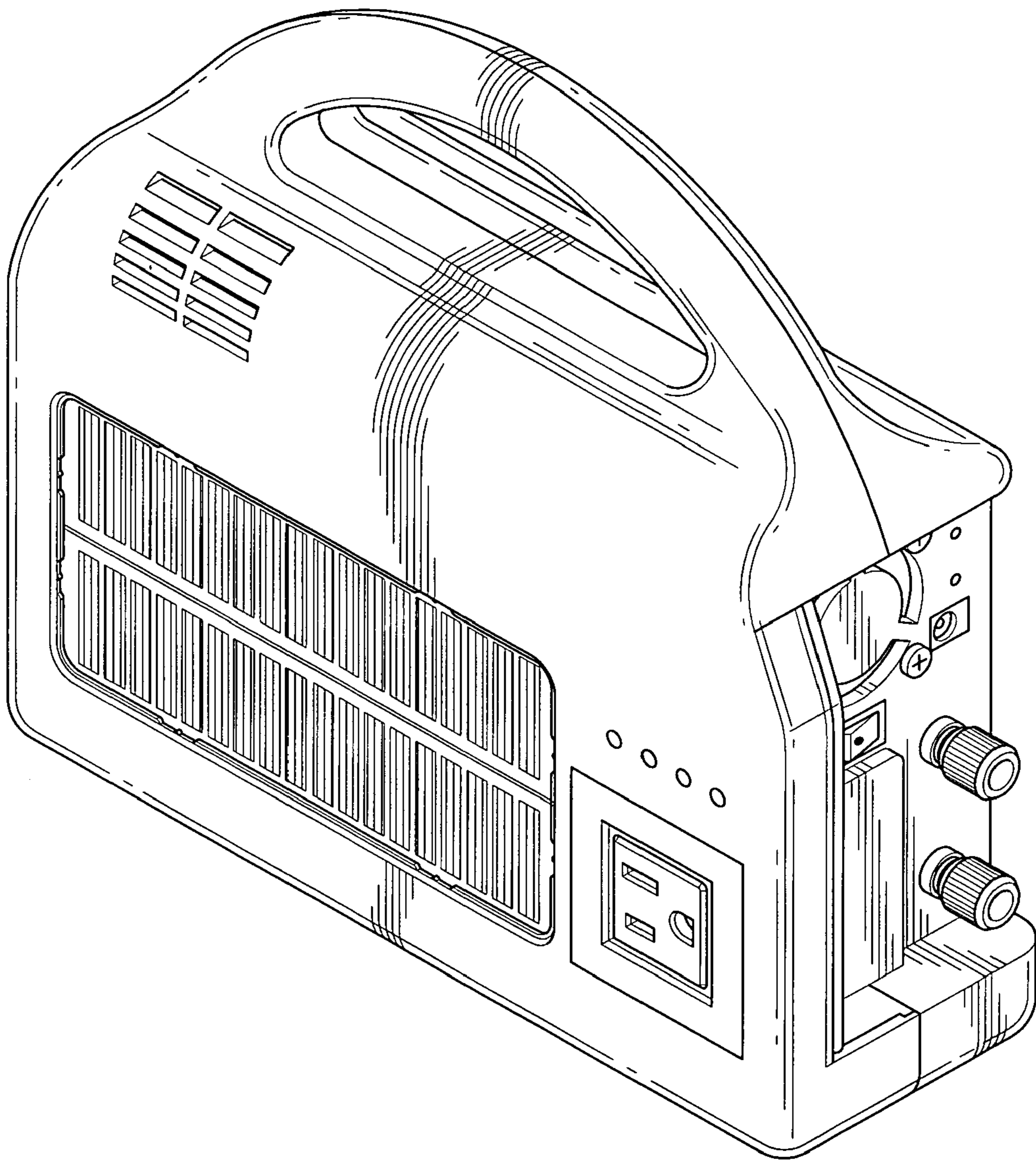


FIG. 1

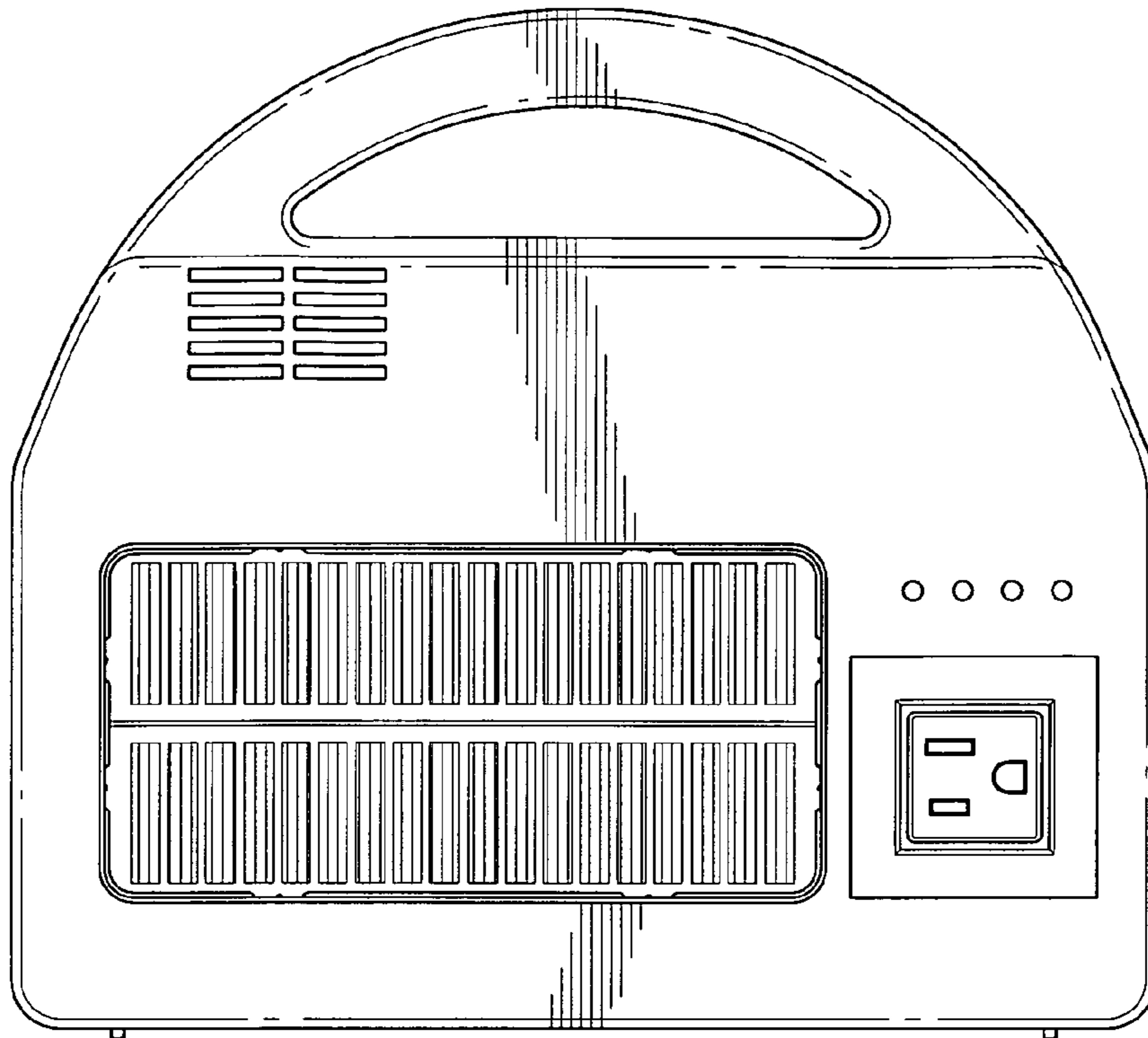


FIG. 2

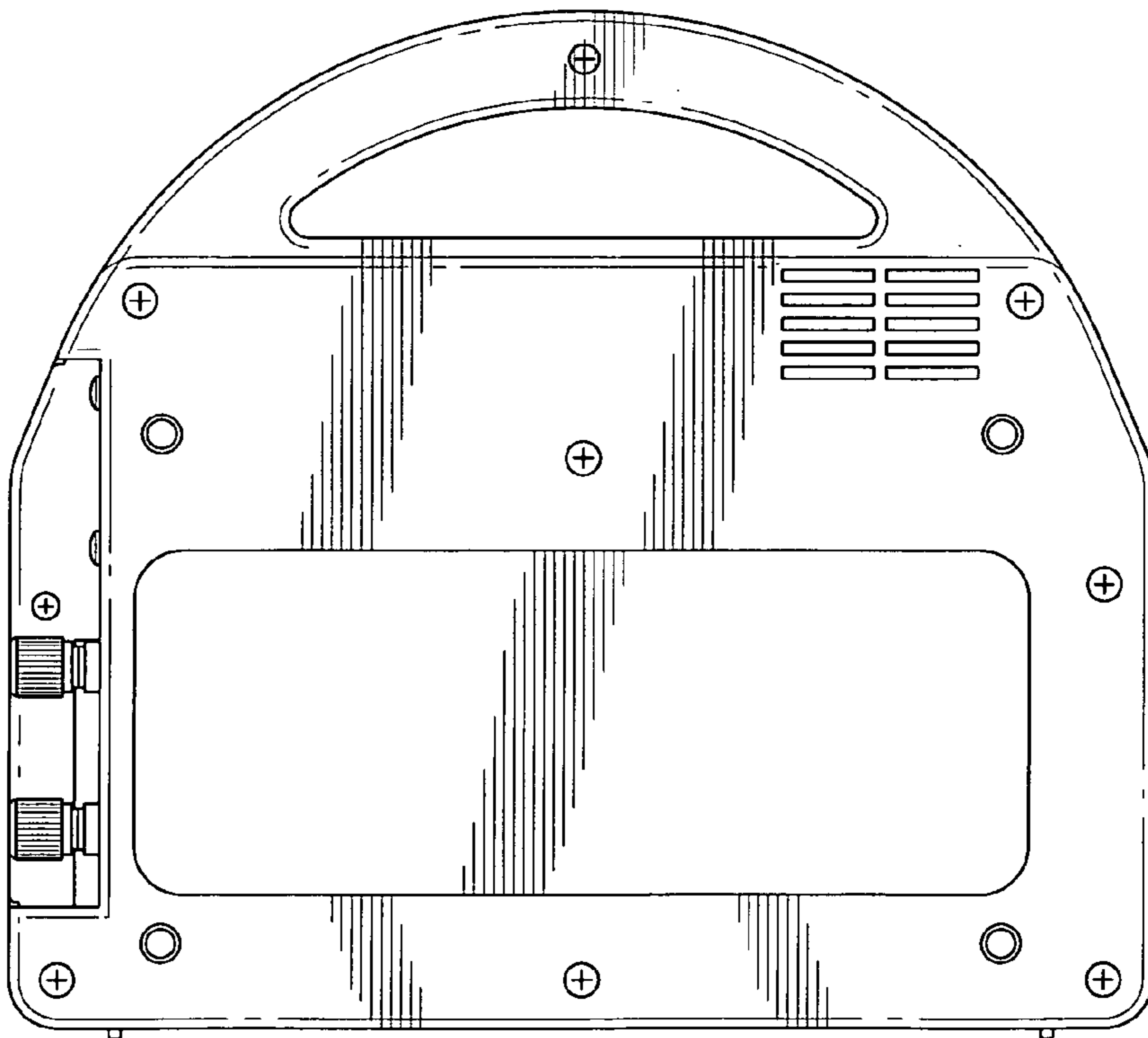


FIG. 3

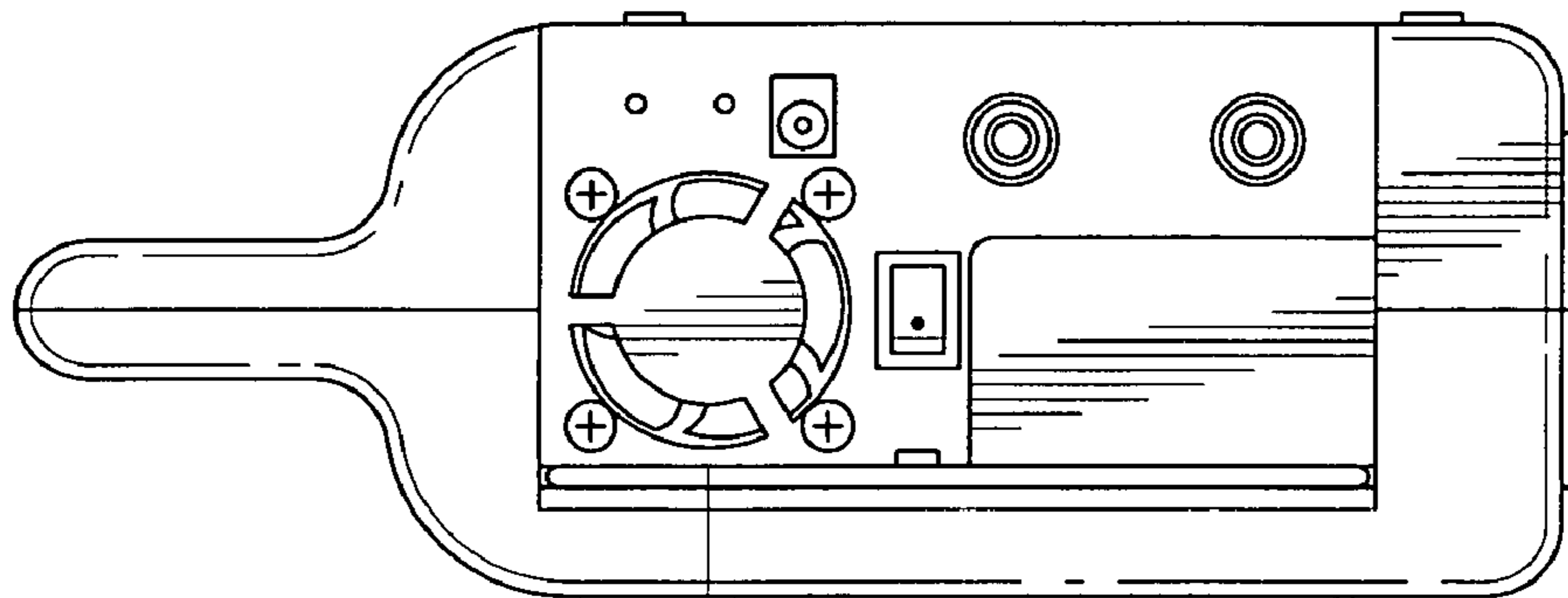


FIG. 5

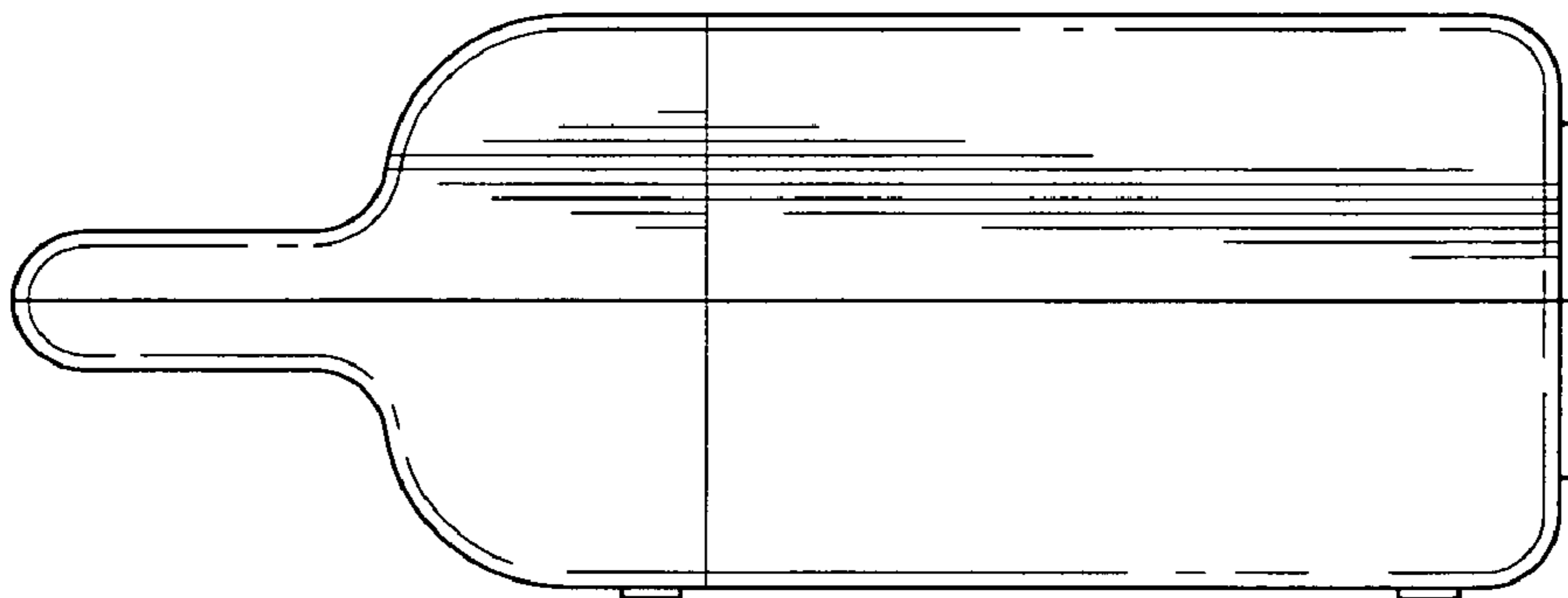


FIG. 4

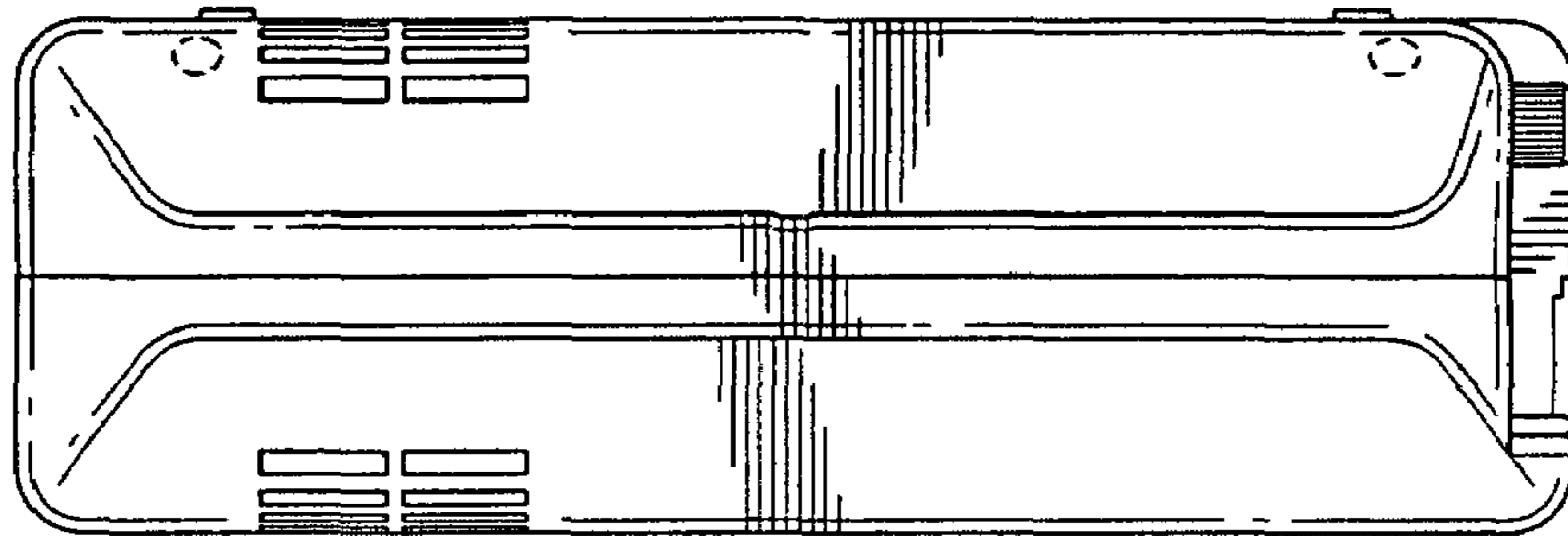


FIG. 6

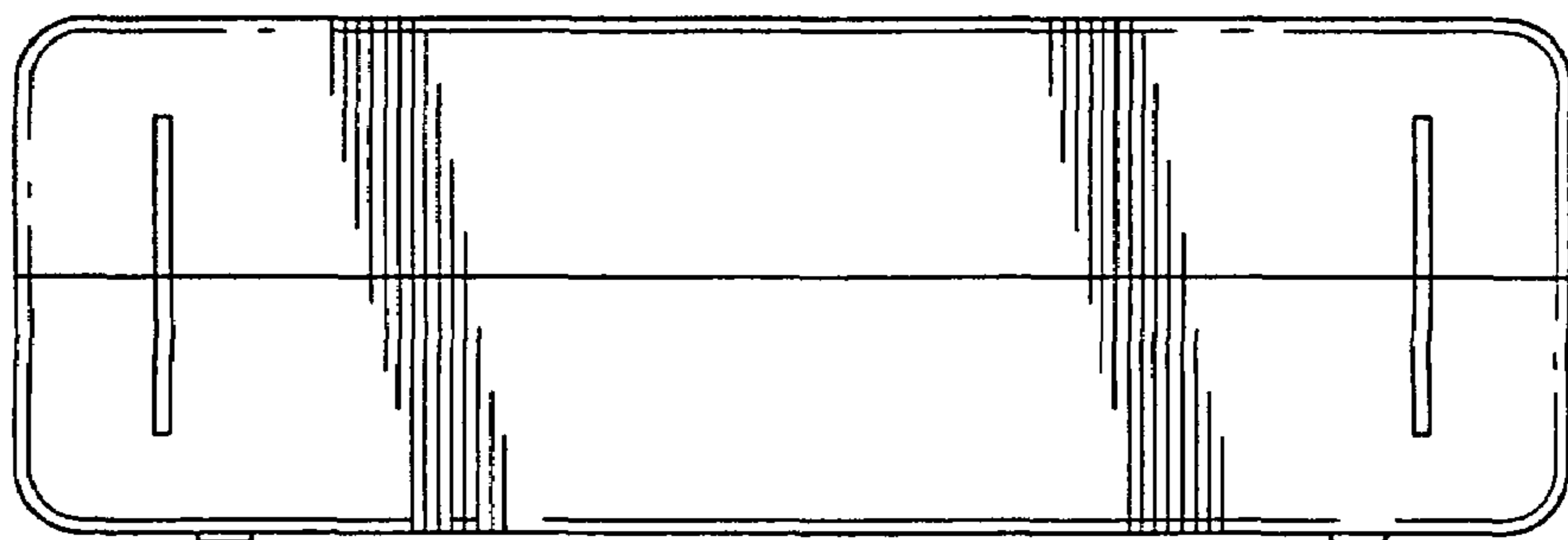


FIG. 7

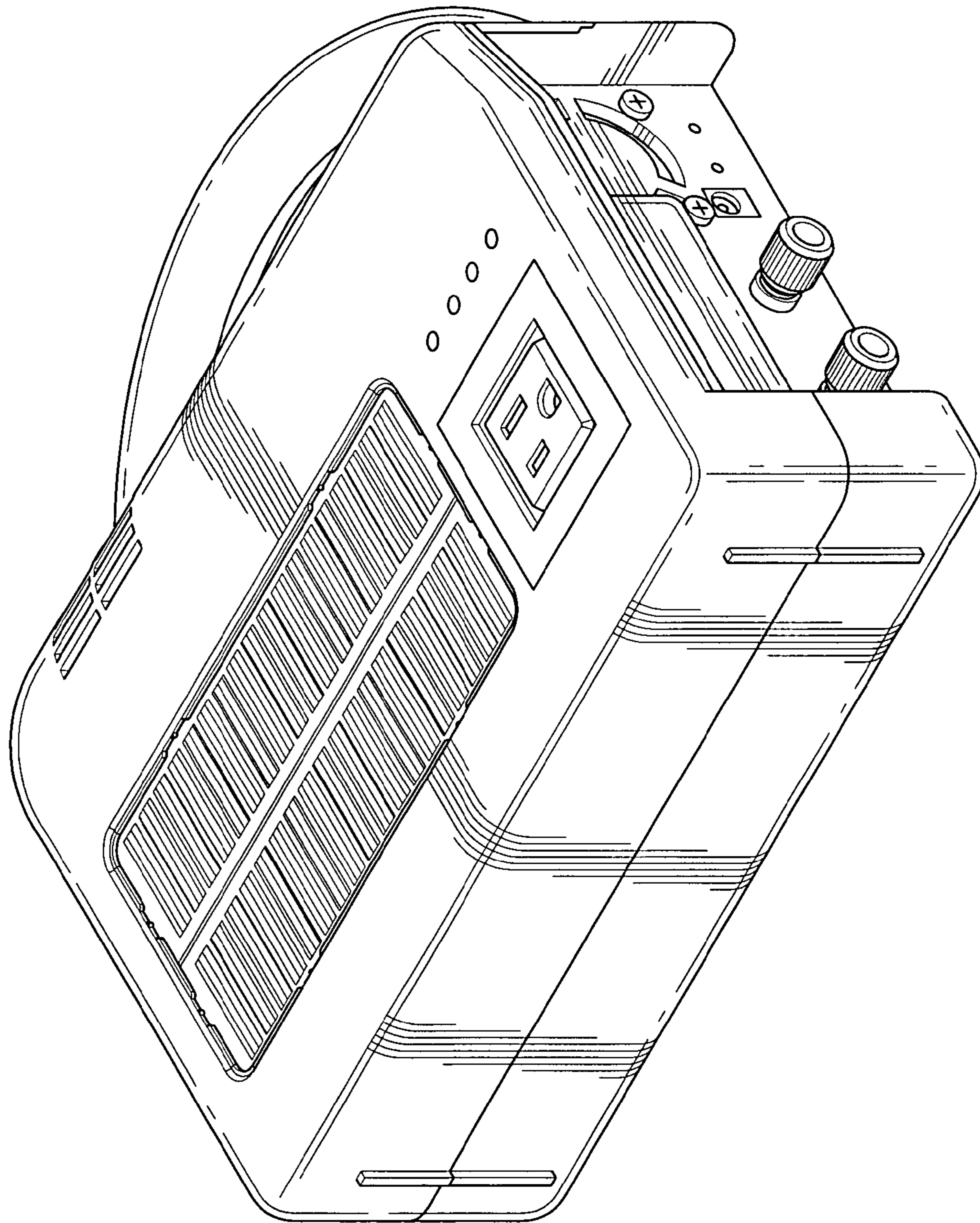


FIG. 8