



US00D586287S

(12) **United States Design Patent**
McBride

(10) **Patent No.:** **US D586,287 S**

(45) **Date of Patent:** **** Feb. 10, 2009**

(54) **RECREATIONAL VEHICLE UTILITY RACK**

D484,453 S 12/2003 Harris

(76) Inventor: **Rick D. McBride**, 3863 E. Mockingbird
La., Camp Verde, AZ (US) 86322

* cited by examiner

Primary Examiner—Caron Veynar

Assistant Examiner—Kelley A Donnelly

(74) *Attorney, Agent, or Firm*—Richard C. Litman

(**) Term: **14 Years**

(21) Appl. No.: **29/309,323**

(57) **CLAIM**

(22) Filed: **Jul. 24, 2008**

The ornamental design for a recreational vehicle utility rack,
as shown and described.

(51) **LOC (9) Cl.** **12-16**

(52) **U.S. Cl.** **D12/406; D12/106**

(58) **Field of Classification Search** D12/406,
D12/408, 106; 224/493, 507–510, 924
See application file for complete search history.

DESCRIPTION

FIG. 1 is a perspective view of a recreational vehicle utility rack in its environment showing my new design;

FIG. 2 is a front elevational view thereof;

FIG. 3 is a rear elevational view thereof;

FIG. 4 is a right side elevational view with the left side being a mirror image thereof;

FIG. 5 is a top view thereof; and,

FIG. 6 is a bottom view thereof.

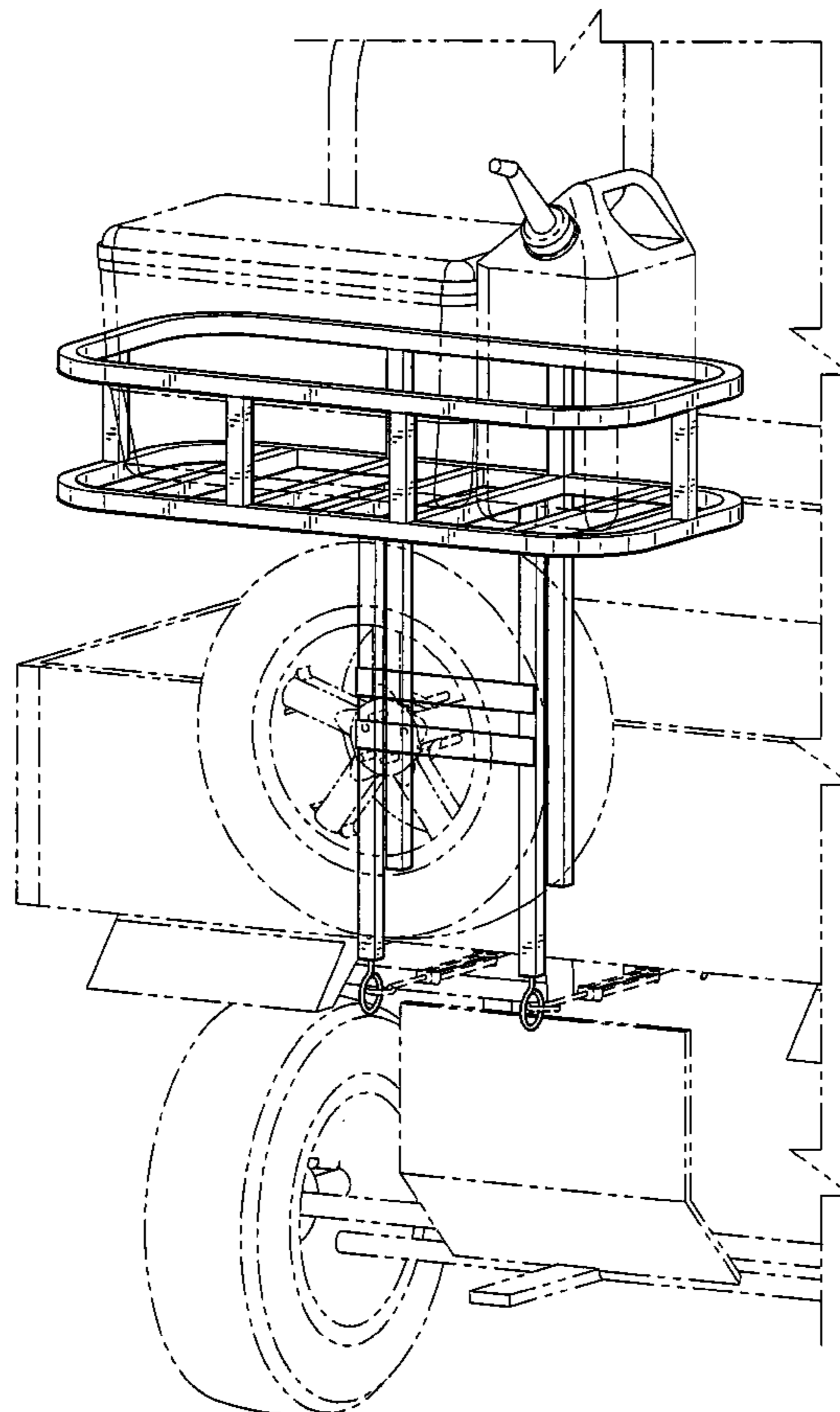
The broken lines in FIGS. 1–6 are for environmental purposes only and form no part of the claimed design.

(56) **References Cited**

U.S. PATENT DOCUMENTS

3,937,376	A *	2/1976	Ewing	224/508
D288,193	S	2/1987	Caron		
5,050,785	A *	9/1991	Hays	224/511
D369,340	S	4/1996	Lichtbach		
5,702,040	A *	12/1997	Hedeem	224/511
D409,557	S *	5/1999	Armour	D12/408
D437,578	S *	2/2001	Stannard-Warne	D12/406
D459,694	S *	7/2002	Yuhanick et al.	D12/408

1 Claim, 6 Drawing Sheets



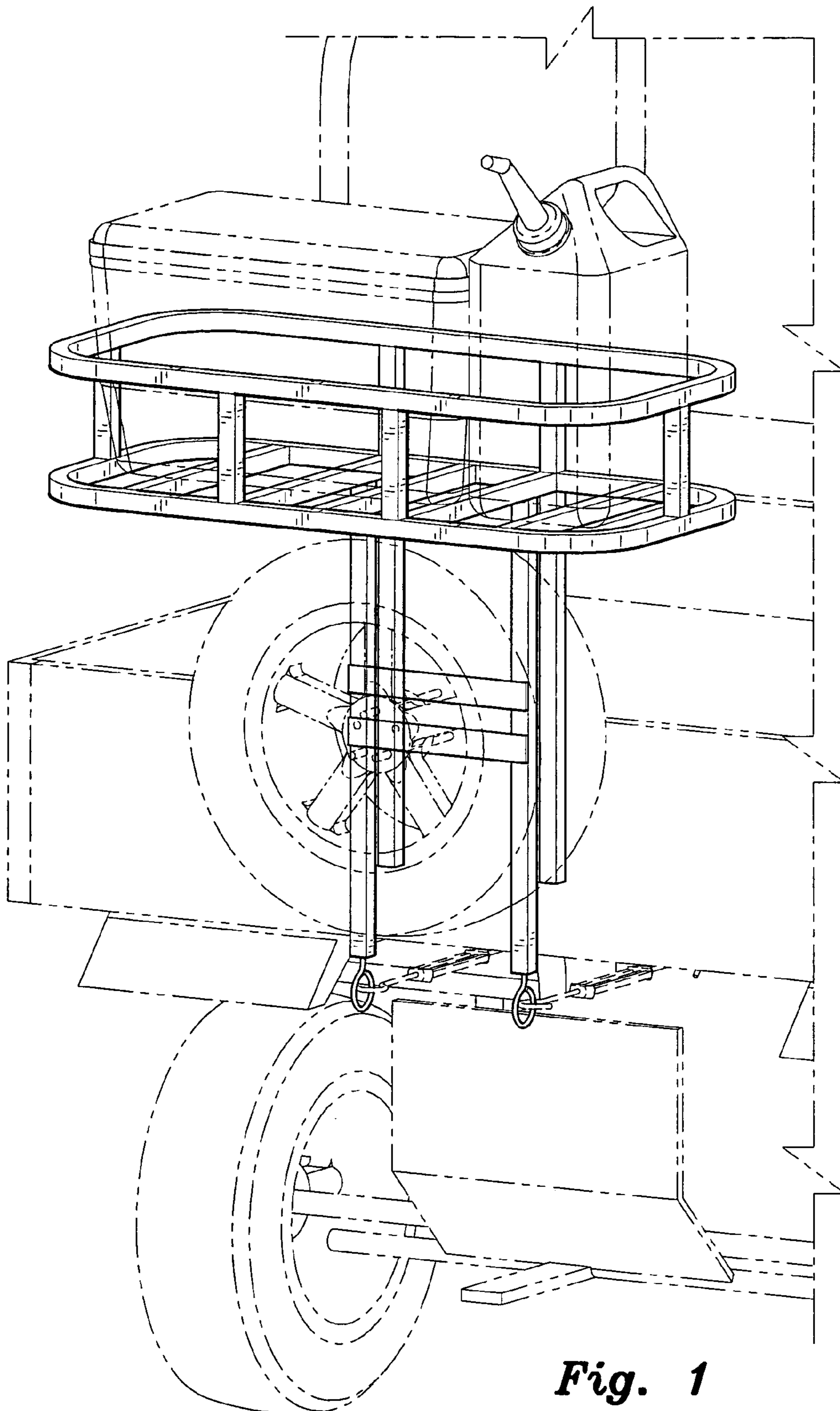


Fig. 1

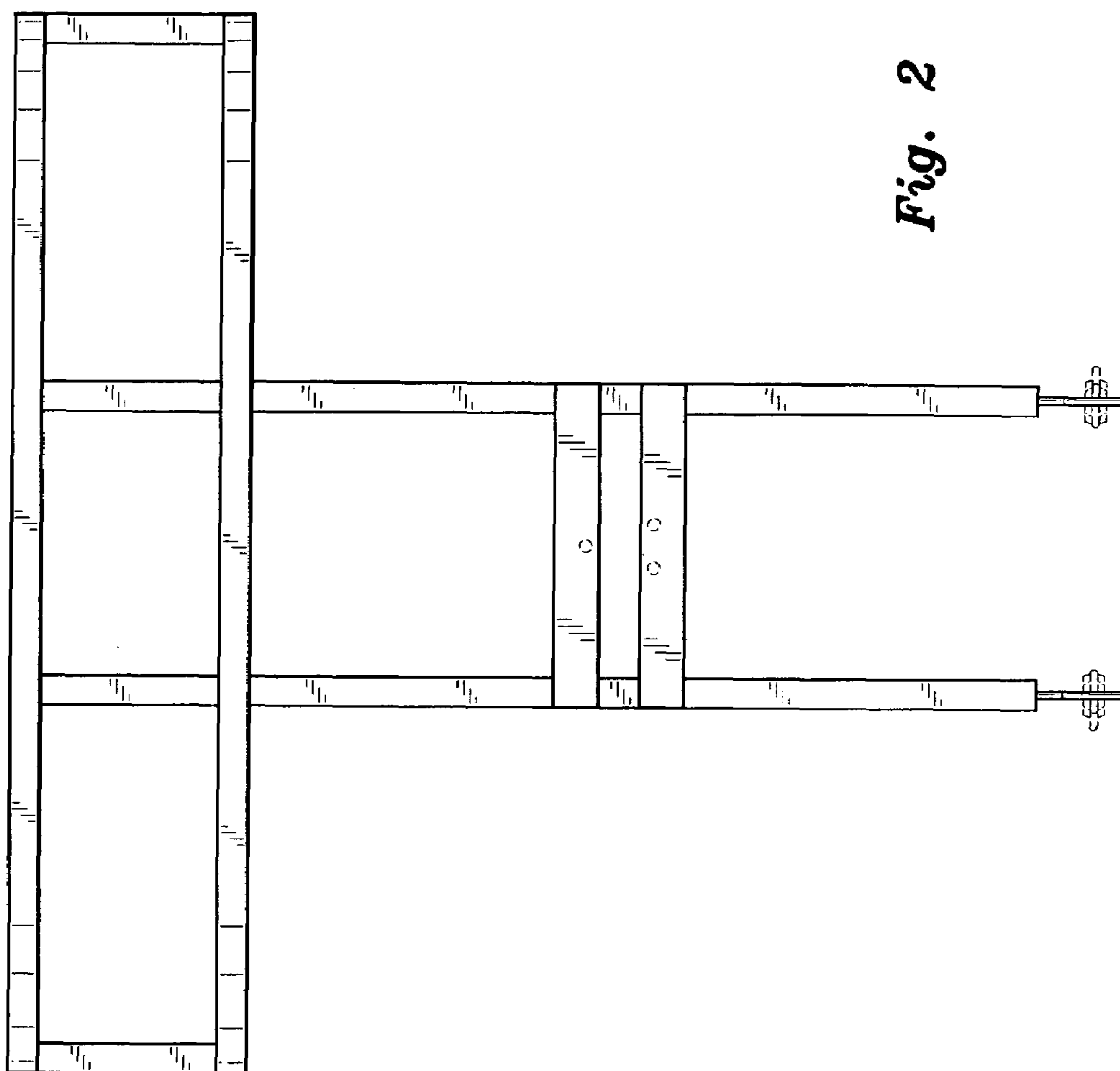


Fig. 2

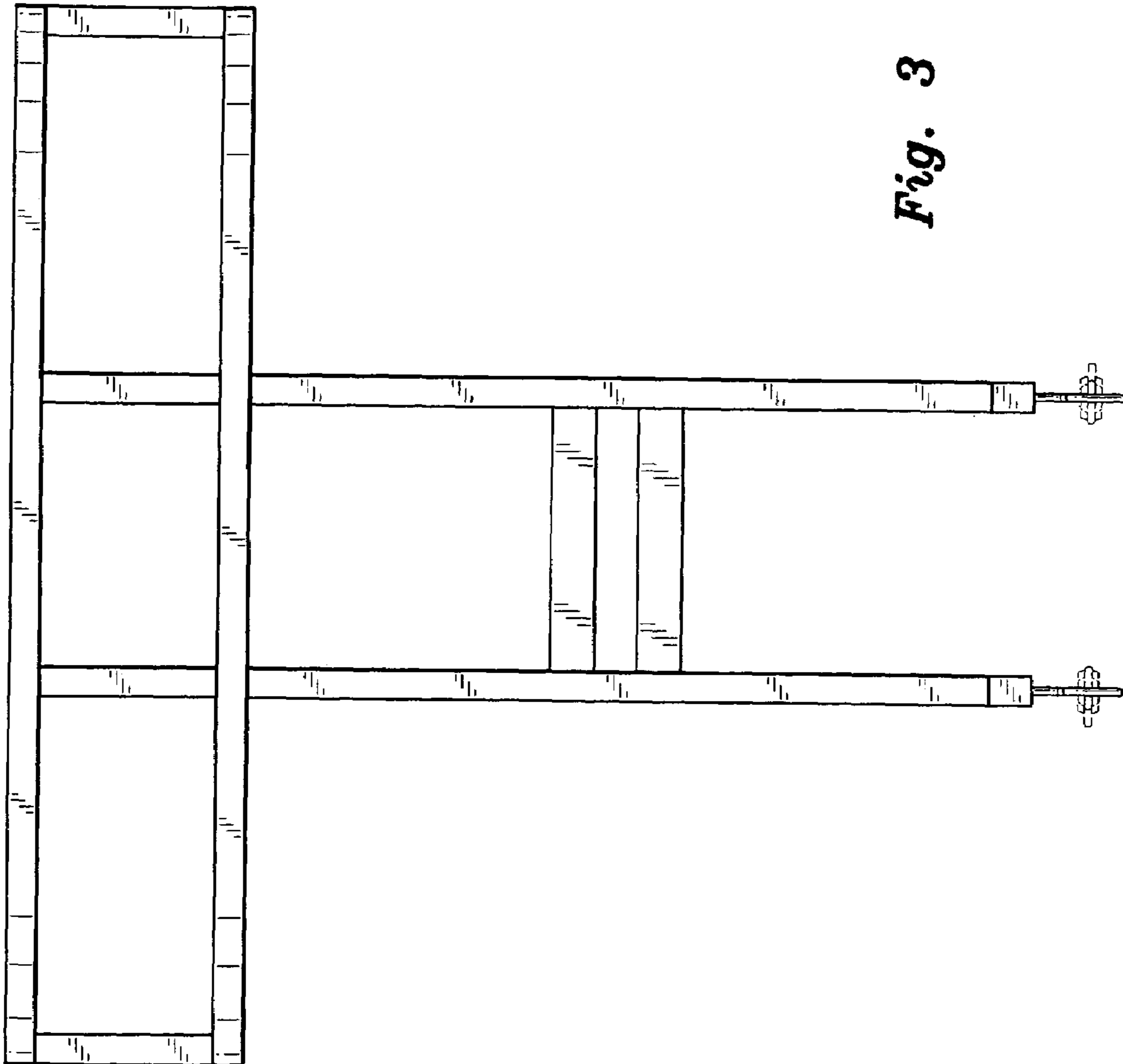


Fig. 3

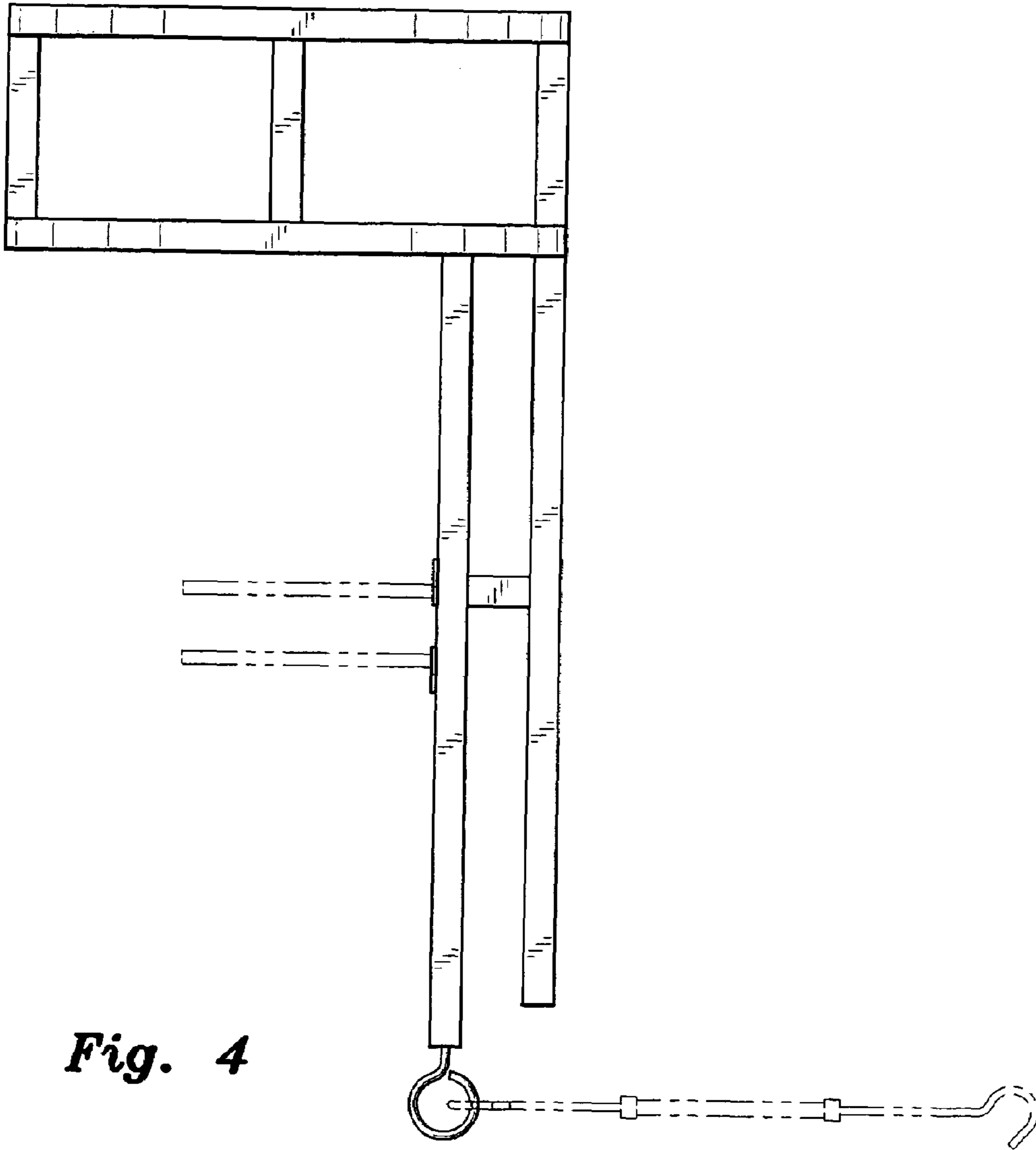


Fig. 4

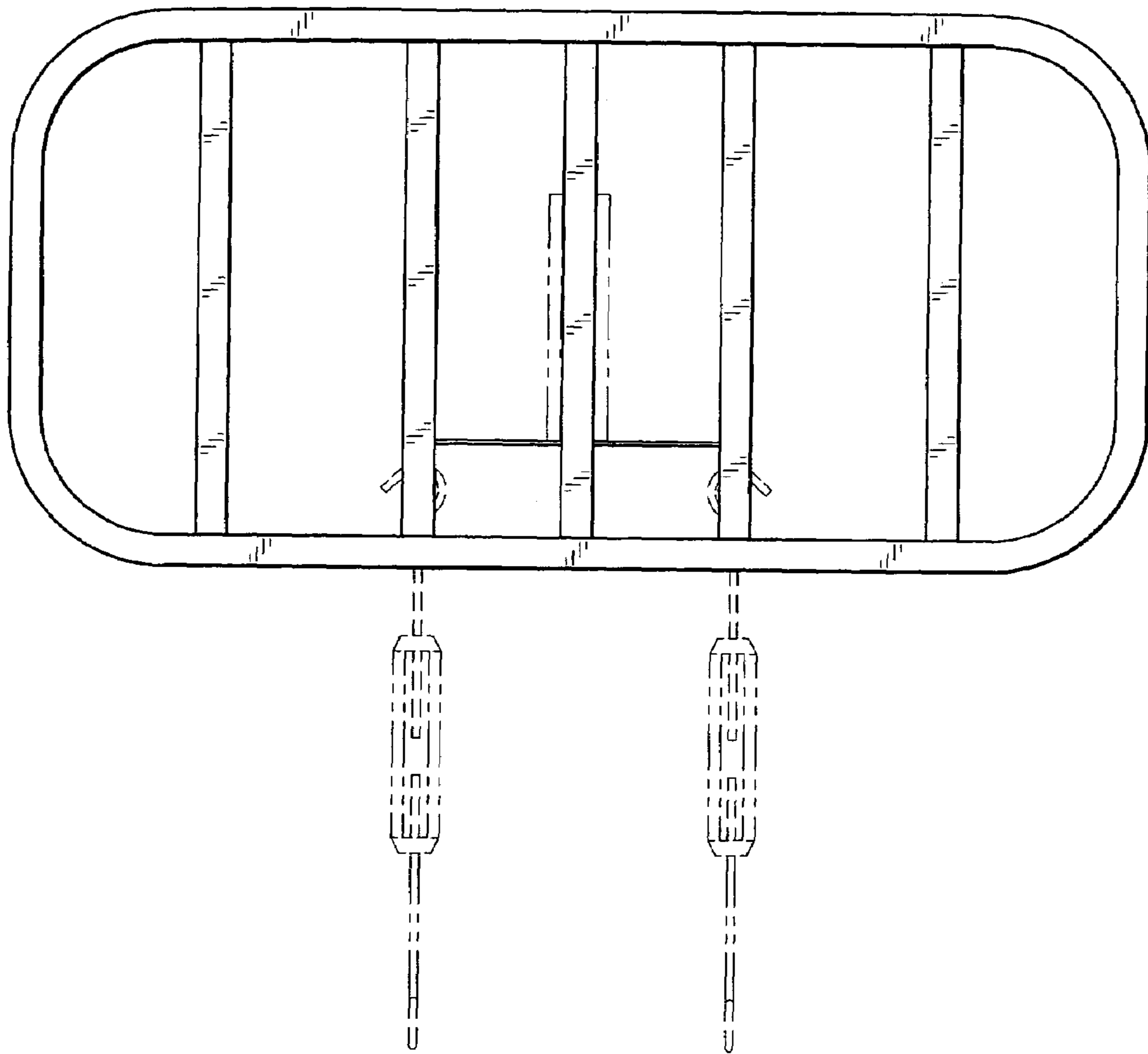


Fig. 5

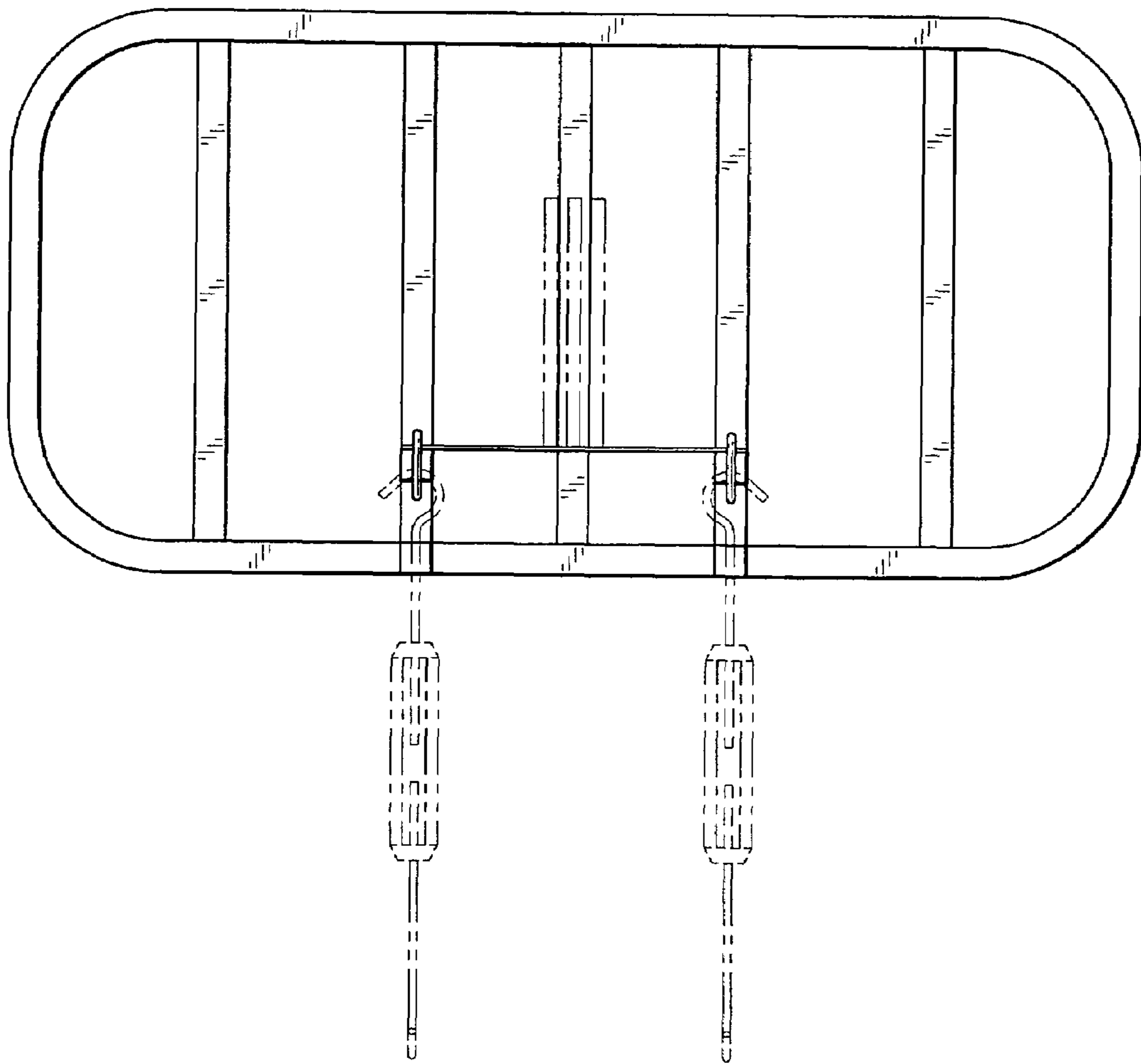


Fig. 6