



US00D586284S

(12) **United States Design Patent**
Fridie

(10) **Patent No.:** **US D586,284 S**

(45) **Date of Patent:** **** Feb. 10, 2009**

(54) **VEHICLE WHEEL FRONT FACE**

(75) **Inventor:** **Ly John Terlandon Fridie**, Maple Shade, NJ (US)

(73) **Assignee:** **Frog FX, Inc**, Linthicum, MD (US)

(**) **Term:** **14 Years**

(21) **Appl. No.:** **29/310,260**

(22) **Filed:** **Aug. 7, 2008**

(51) **LOC (9) Cl.** **12-16**

(52) **U.S. Cl.** **D12/211**

(58) **Field of Classification Search** D12/204-213;
301/37.101, 64.101, 65, 64.201

See application file for complete search history.

(56) **References Cited**

U.S. PATENT DOCUMENTS

D504,098 S * 4/2005 Gallert D12/209

D531,567 S * 11/2006 Walbey, Jr. D12/211

D542,211 S * 5/2007 Hieke D12/211

D543,493 S * 5/2007 Kim D12/209

D544,823 S * 6/2007 Hieke D12/211

D569,776 S * 5/2008 Hieke D12/211

D573,083 S * 7/2008 Hetrick D12/211

* cited by examiner

Primary Examiner—Stacia Cadmus

(57) **CLAIM**

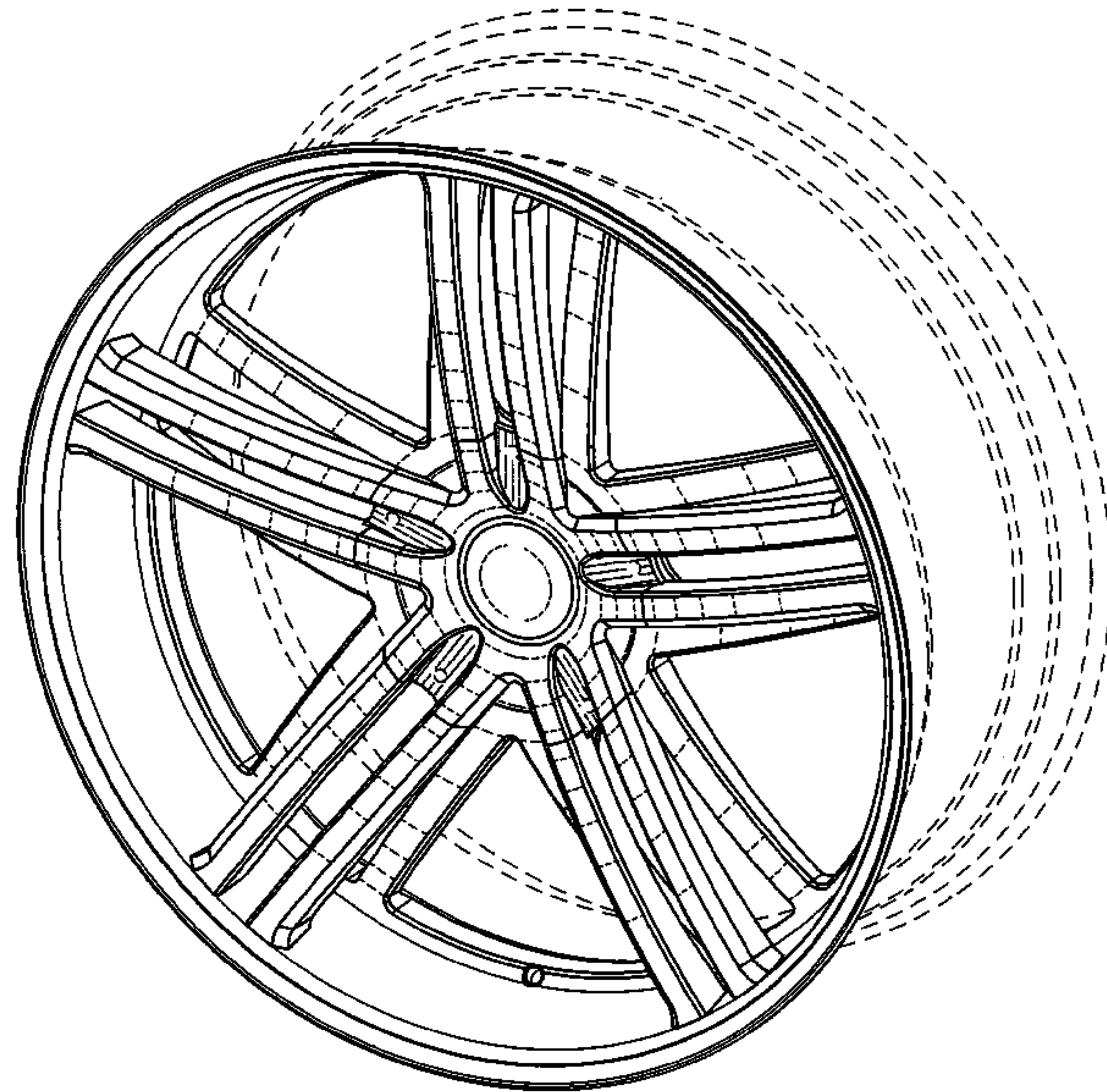
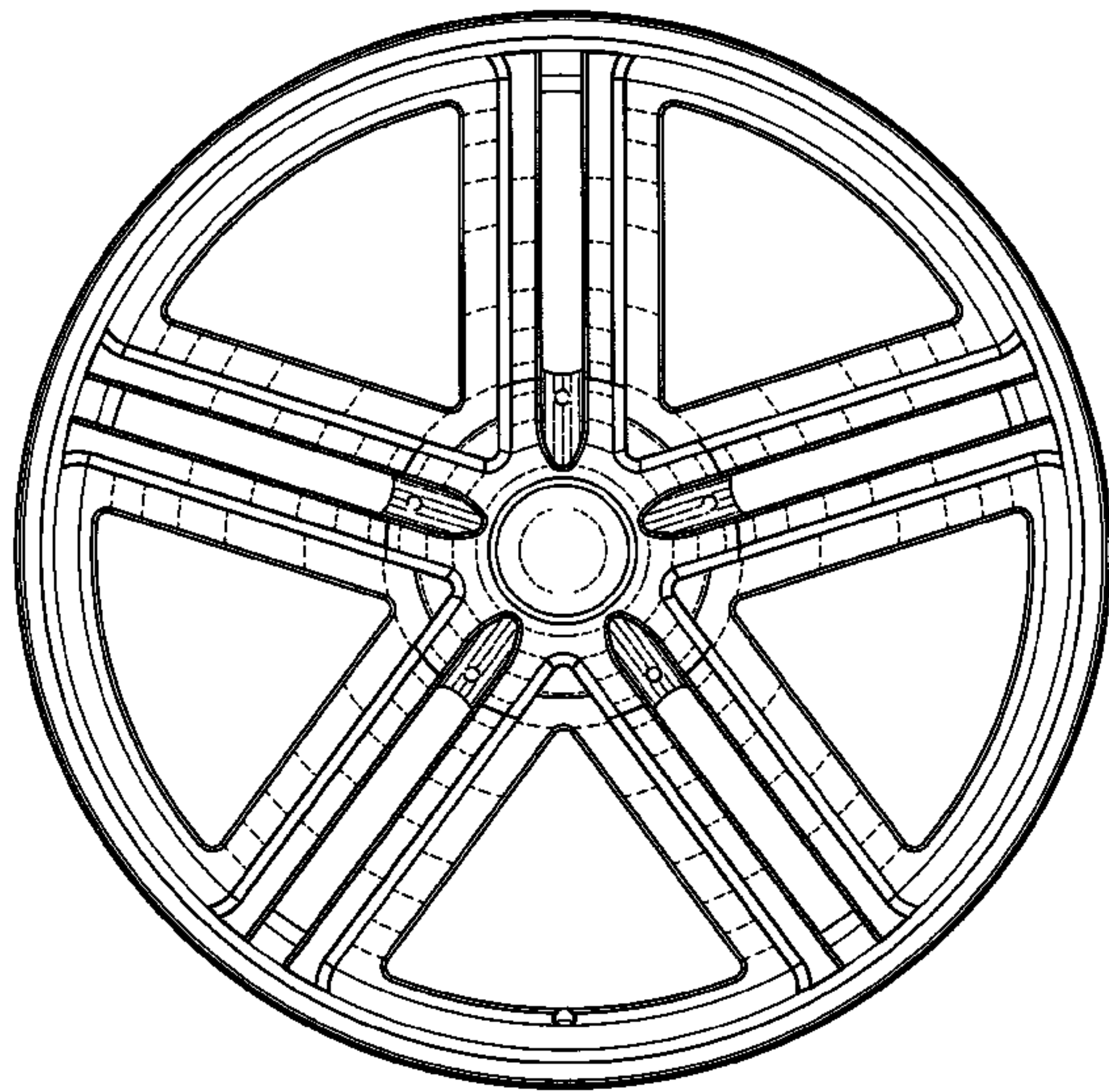
The ornamental design for a vehicle wheel front face, as, shown and described.

DESCRIPTION

FIG. 1 is a front view a vehicle wheel front face showing my new design; and,

FIG. 2 is a perspective view thereof. The broken line showing of environment is for illustrative purposes only and forms no part of the claimed design.

1 Claim, 2 Drawing Sheets



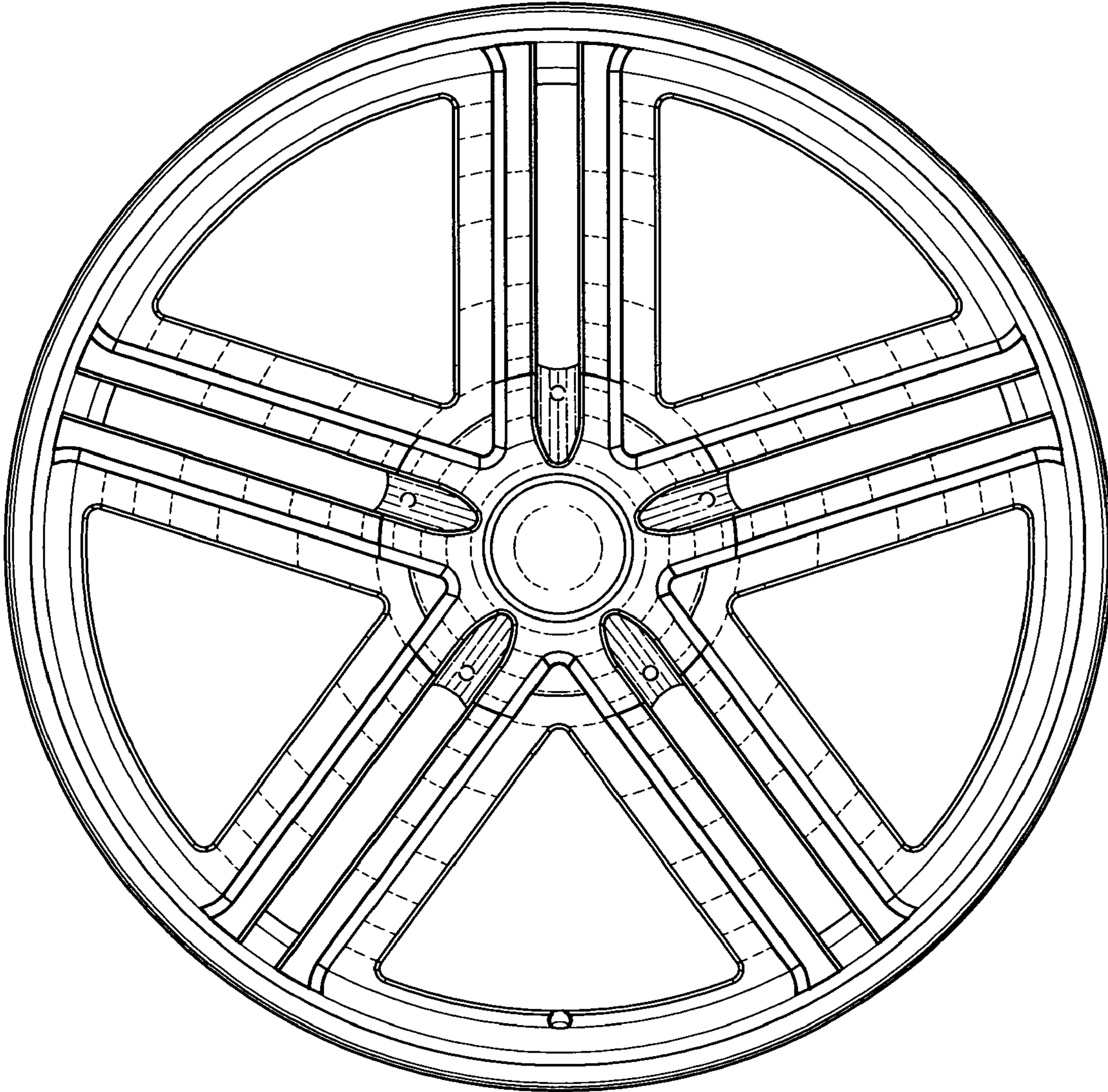


FIG. 1

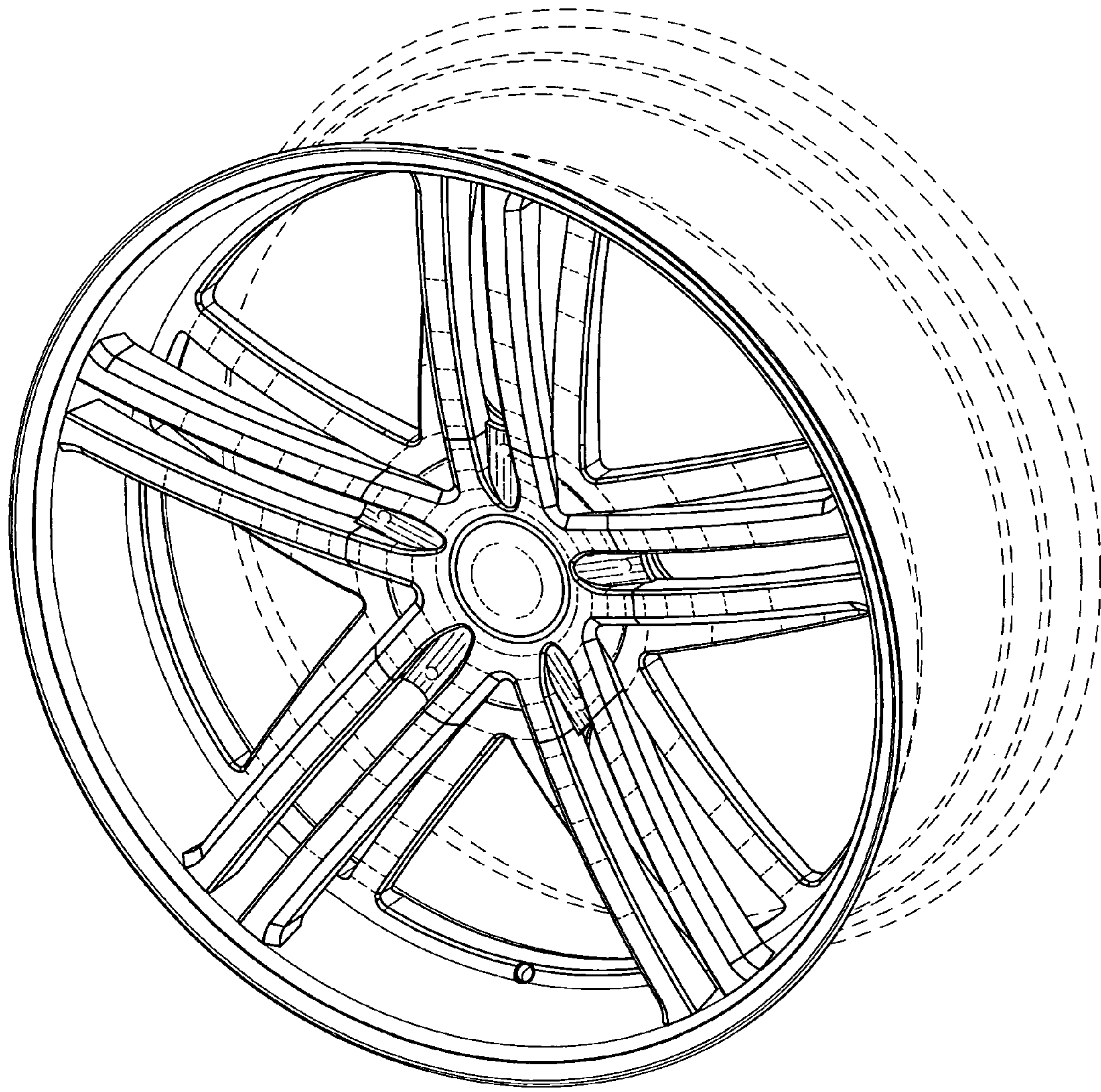


FIG. 2