



US00D586283S

(12) **United States Design Patent**
Chung

(10) **Patent No.:** **US D586,283 S**

(45) **Date of Patent:** **** Feb. 10, 2009**

(54) **AUTOMOTIVE WHEEL**

(76) **Inventor:** **Suny Chung**, 3283 Red Pine Rd., Yorba Linda, CA (US) 92886

(**) **Term:** **14 Years**

(21) **Appl. No.:** **29/307,019**

(22) **Filed:** **Mar. 28, 2008**

(51) **LOC (9) Cl.** **12-16**

(52) **U.S. Cl.** **D12/209**

(58) **Field of Classification Search** D12/204-213;
301/37.101, 64.101, 65, 64.201

See application file for complete search history.

(56) **References Cited**

U.S. PATENT DOCUMENTS

D528,957 S * 9/2006 Kim D12/209

D531,949 S * 11/2006 Arora D12/209

D533,827 S * 12/2006 Aydin D12/211

D541,724 S * 5/2007 Gallert D12/211

D563,857 S * 3/2008 Aydin D12/209

D567,733 S * 4/2008 Arora D12/209

D567,738 S * 4/2008 Habib et al. D12/211

* cited by examiner

Primary Examiner—Stacia Cadmus

(57) **CLAIM**

The ornamental design for an automotive wheel, as shown and described.

DESCRIPTION

FIG. 1 is a perspective view of an automotive wheel, showing my new design; and,

FIG. 2 is a front view thereof.

The broken line showing of rear portion of the wheel rim is included for the purpose of illustrating environment and forms no part of the claimed design.

1 Claim, 2 Drawing Sheets

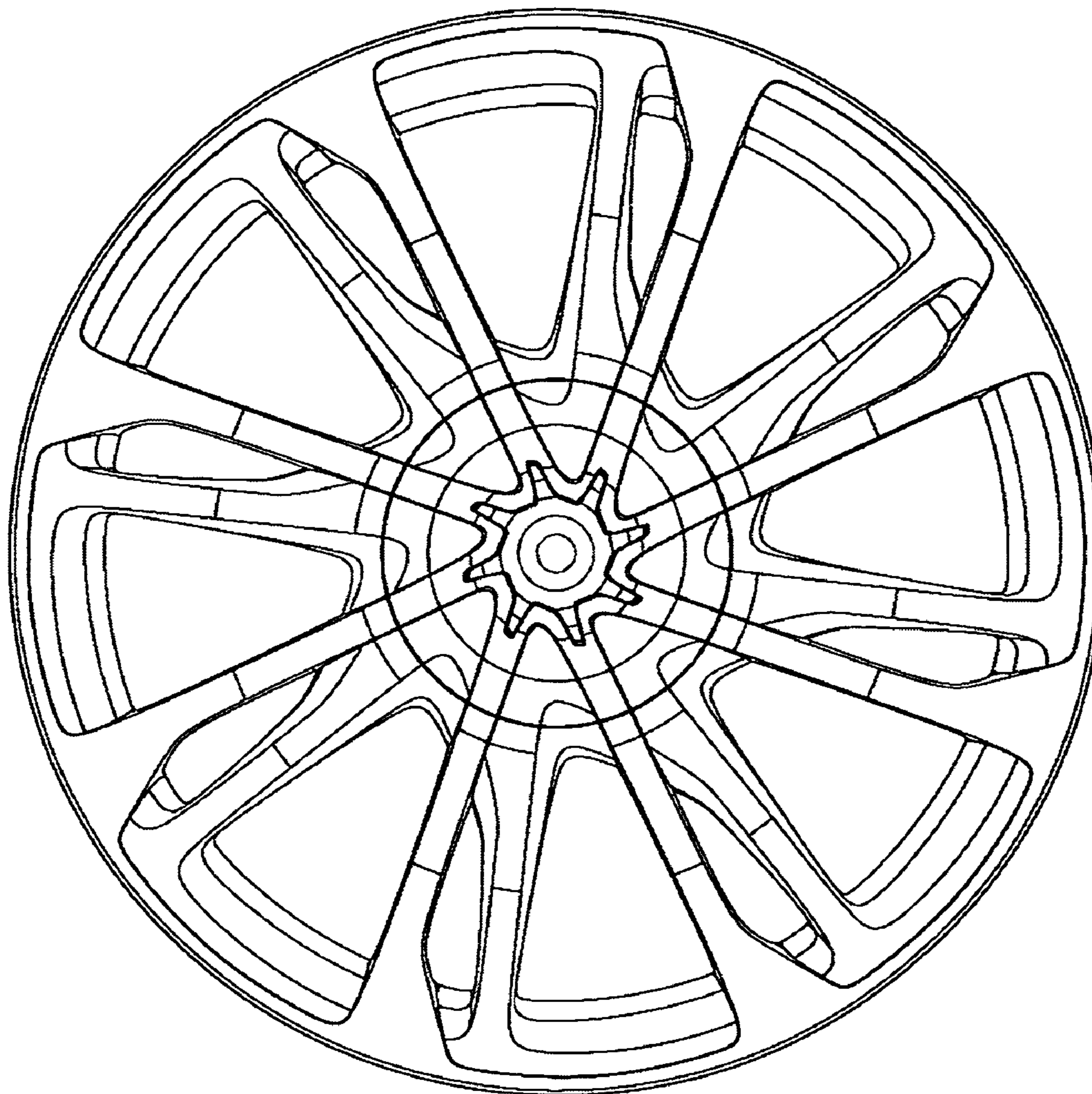


FIGURE 1

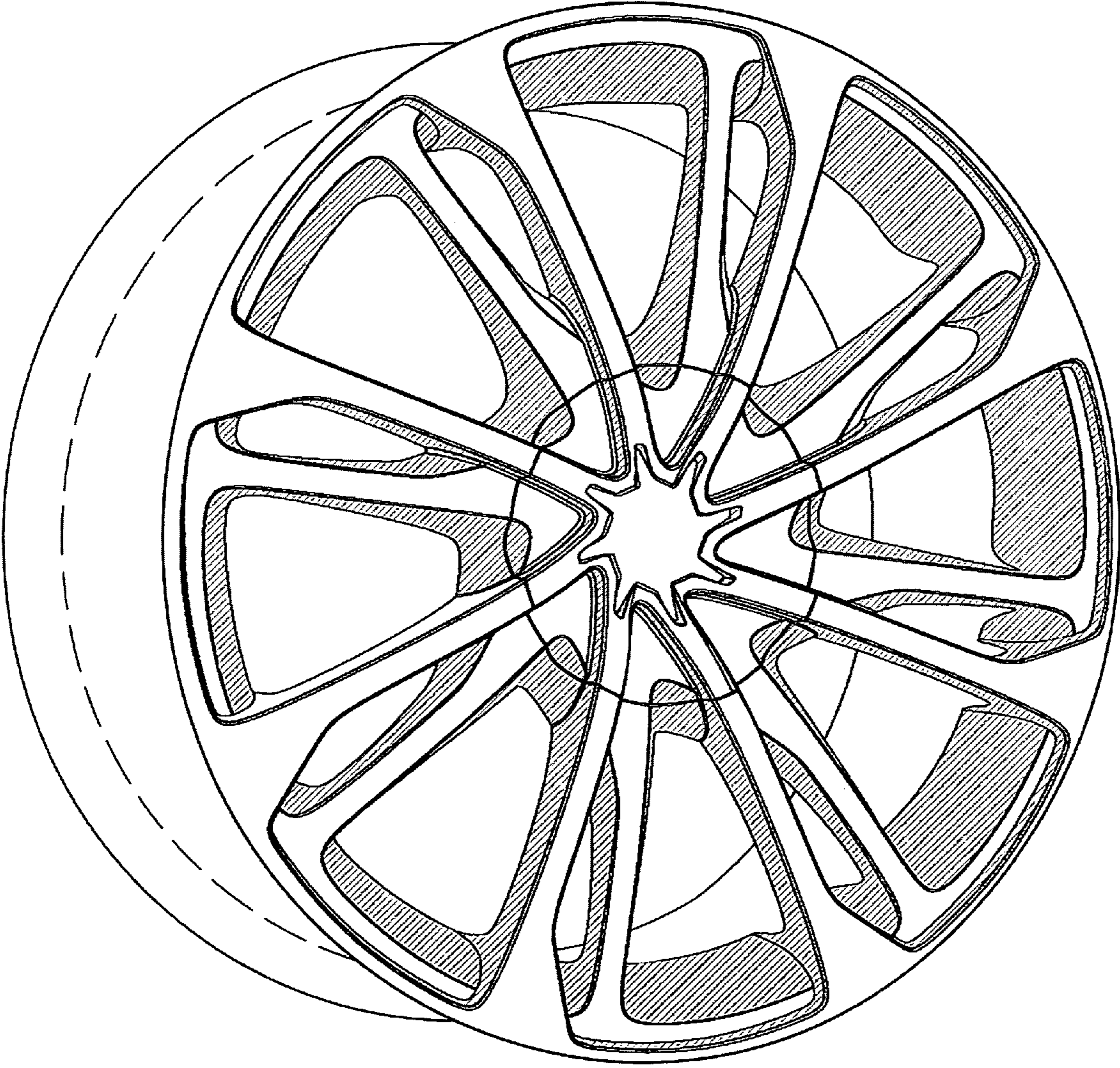


Figure 2

