



US00D586282S

(12) **United States Design Patent**
Pfeiffer

(10) **Patent No.:** **US D586,282 S**

(45) **Date of Patent:** **** Feb. 10, 2009**

(54) **FRONT FACE OF A VEHICLE WHEEL**

(75) Inventor: **Peter Pfeiffer**, Boeblingen (DE)

(73) Assignee: **Daimler AG**, Stuttgart (DE)

(**) Term: **14 Years**

(21) Appl. No.: **29/287,794**

(22) Filed: **Sep. 20, 2007**

(30) **Foreign Application Priority Data**

Mar. 21, 2007 (EM) 000691902-0003

(51) **LOC (9) Cl.** **12-16**

(52) **U.S. Cl.** **D12/209**

(58) **Field of Classification Search** D12/204-213;
301/37.101, 64.101, 65, 64.201

See application file for complete search history.

(56) **References Cited**

U.S. PATENT DOCUMENTS

D206,432 S *	12/1966	Reid	D12/209
D375,073 S *	10/1996	Theiss	D12/209
D377,471 S *	1/1997	Stach	D12/209
D401,205 S *	11/1998	Fischer	D12/209
D430,523 S *	9/2000	Pfeiffer	D12/209
D452,838 S *	1/2002	Hieke	D12/209
D454,530 S *	3/2002	Hieke	D12/211
D461,756 S *	8/2002	Hieke	D12/211
D462,309 S *	9/2002	Hieke	D12/211
D486,437 S *	2/2004	Hieke	D12/211
D495,985 S *	9/2004	Lai	D12/209
D497,339 S *	10/2004	Heinrich	D12/209
D503,916 S *	4/2005	Clarke	D12/209

D504,649 S *	5/2005	Pfeiffer	D12/209
D514,495 S *	2/2006	Hieke	D12/211
D515,996 S *	2/2006	Baumgartner	D12/209
D521,921 S *	5/2006	Hueller	D12/209
D522,946 S *	6/2006	Hieke	D12/209
D522,947 S *	6/2006	Hieke	D12/209
D525,928 S *	8/2006	Pfeiffer	D12/209
D528,059 S *	9/2006	Hieke	D12/209
D532,733 S *	11/2006	Hieke	D12/209
D532,734 S *	11/2006	Hieke	D12/209
D537,027 S *	2/2007	Hieke	D12/211
D542,729 S *	5/2007	Hieke	D12/211
D578,949 S *	10/2008	Hieke	D12/211

* cited by examiner

Primary Examiner—Cathron C Brooks

Assistant Examiner—Austin Murphy

(74) *Attorney, Agent, or Firm*—Crowell & Moring LLP

(57) **CLAIM**

The ornamental design for a front face of a vehicle wheel, as shown and described.

DESCRIPTION

FIG. 1 is a front view of a first embodiment of a front face of a vehicle wheel according to my novel design; and

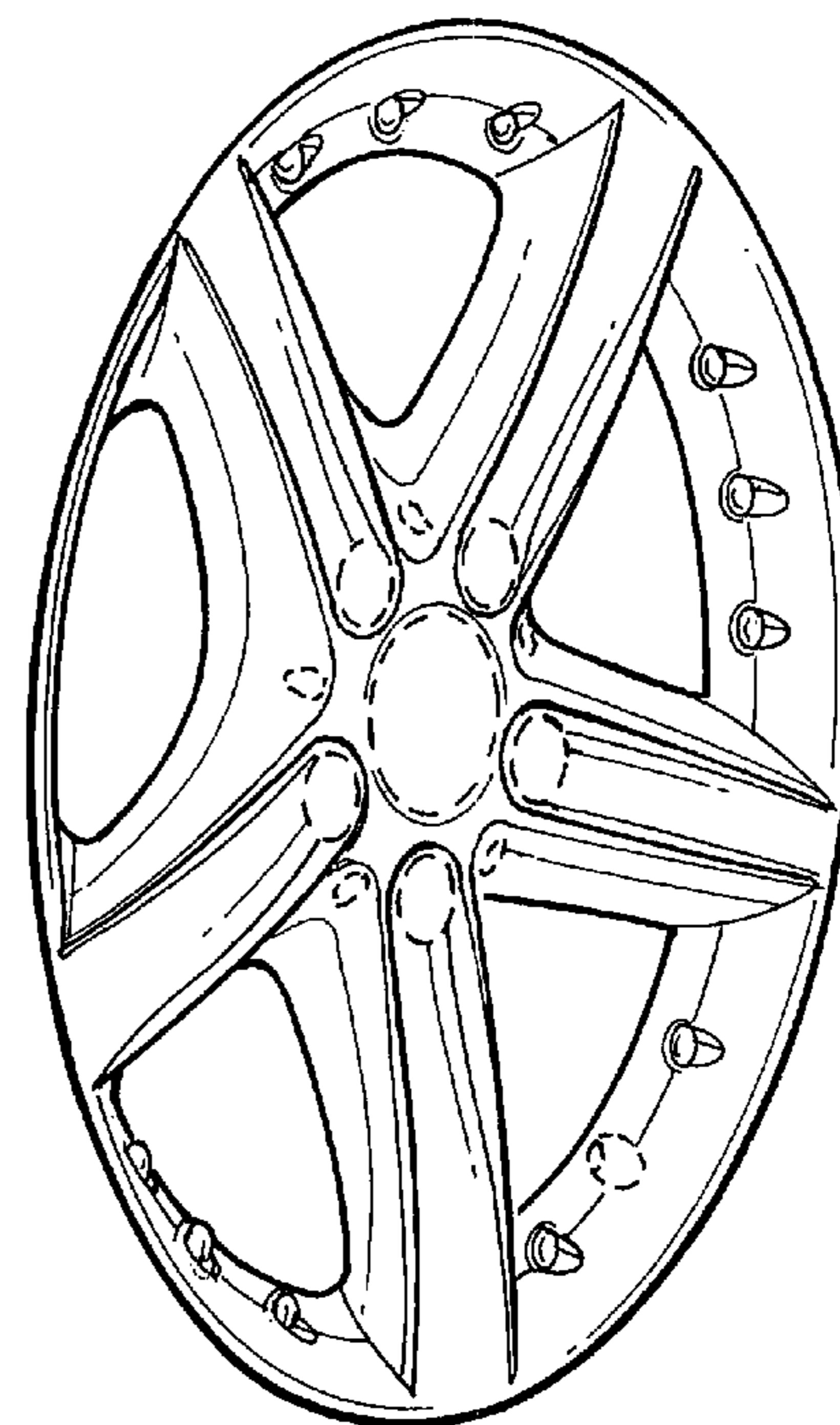
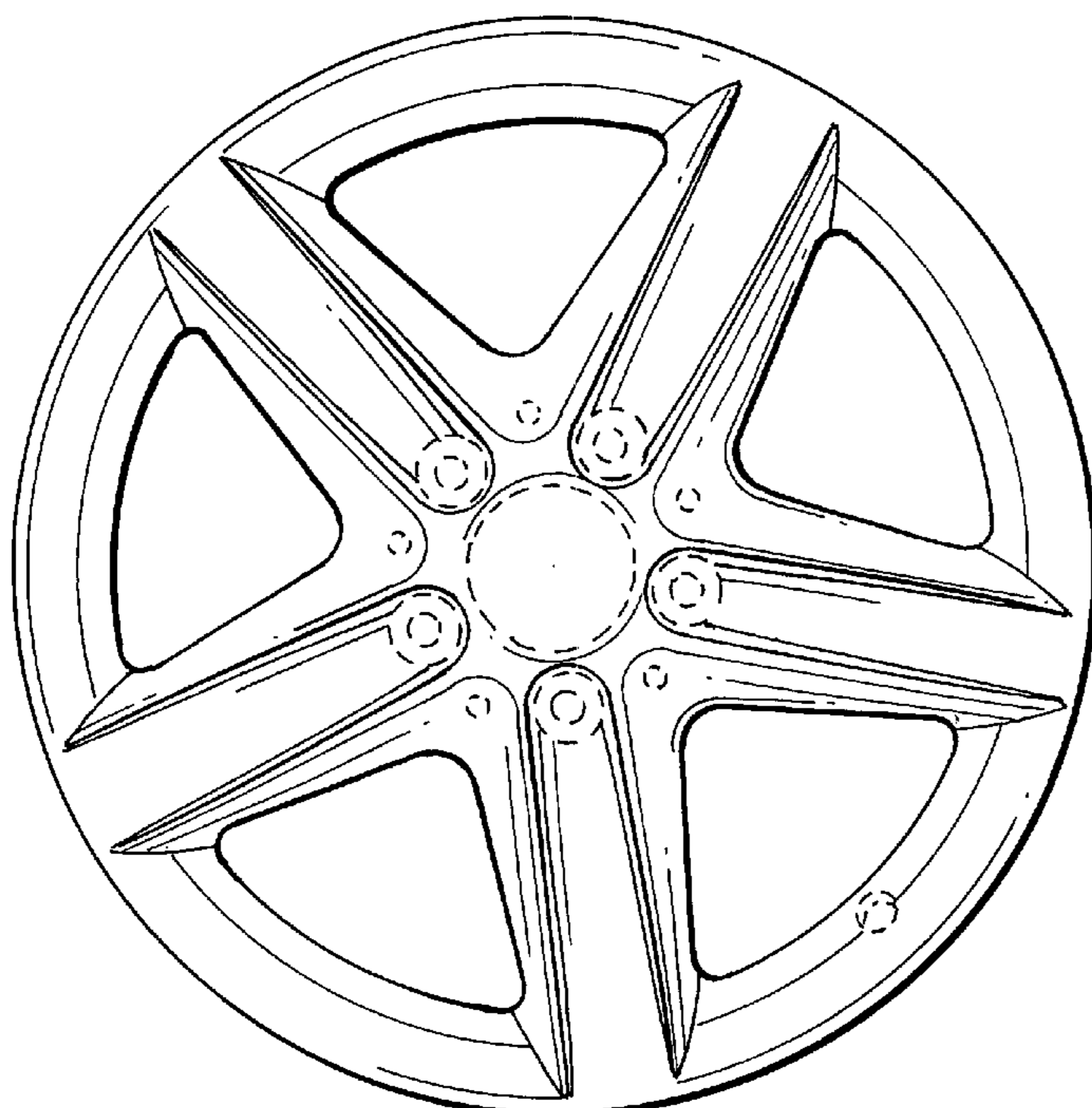
FIG. 2 is a perspective view thereof.

FIG. 3 is a front view of a second embodiment of the front face of a vehicle wheel according to my novel design; and,

FIG. 4 is a perspective view thereof.

The broken lines are for illustrative purposes only and form no part of the claimed design.

1 Claim, 2 Drawing Sheets



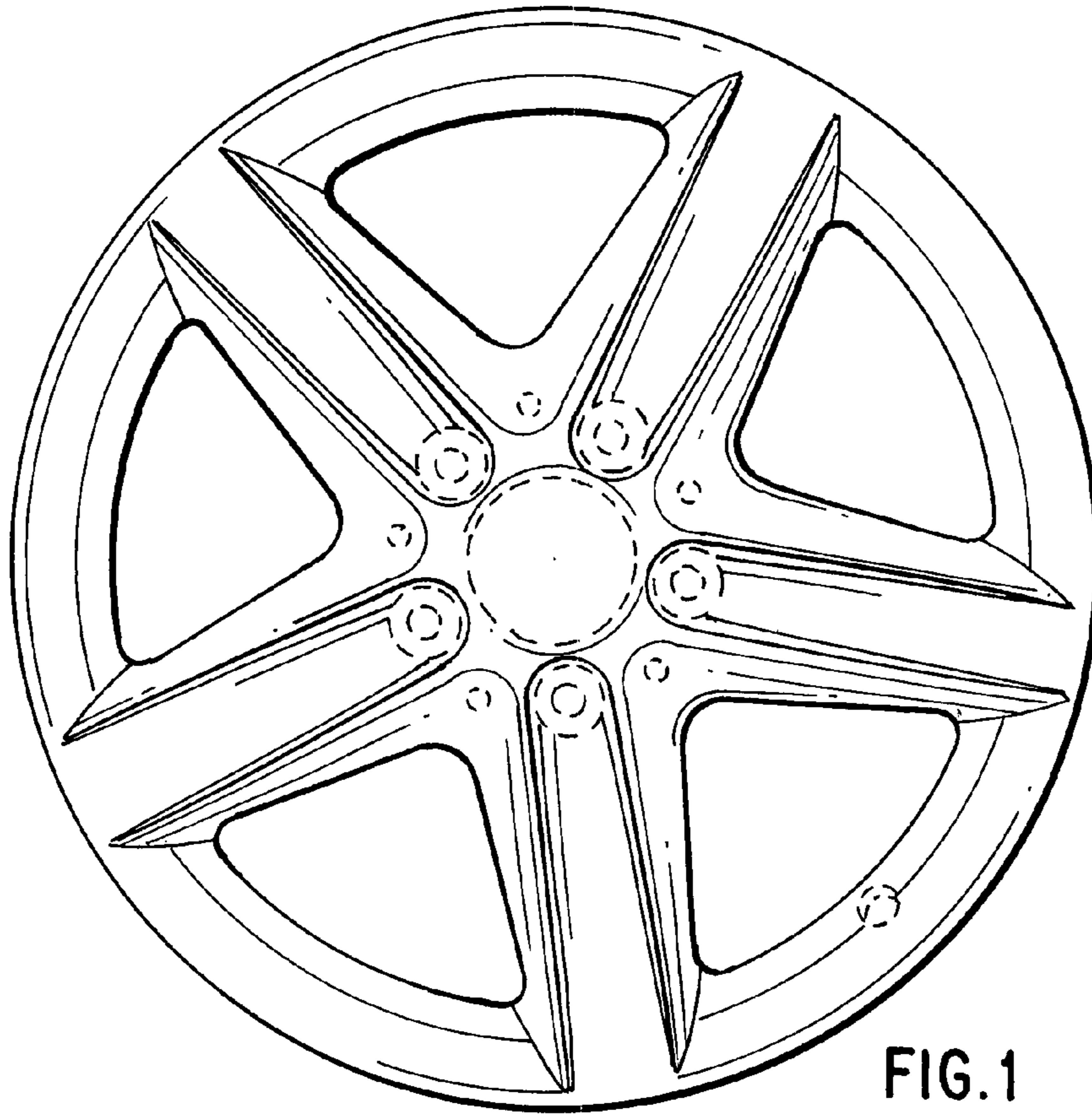


FIG. 1

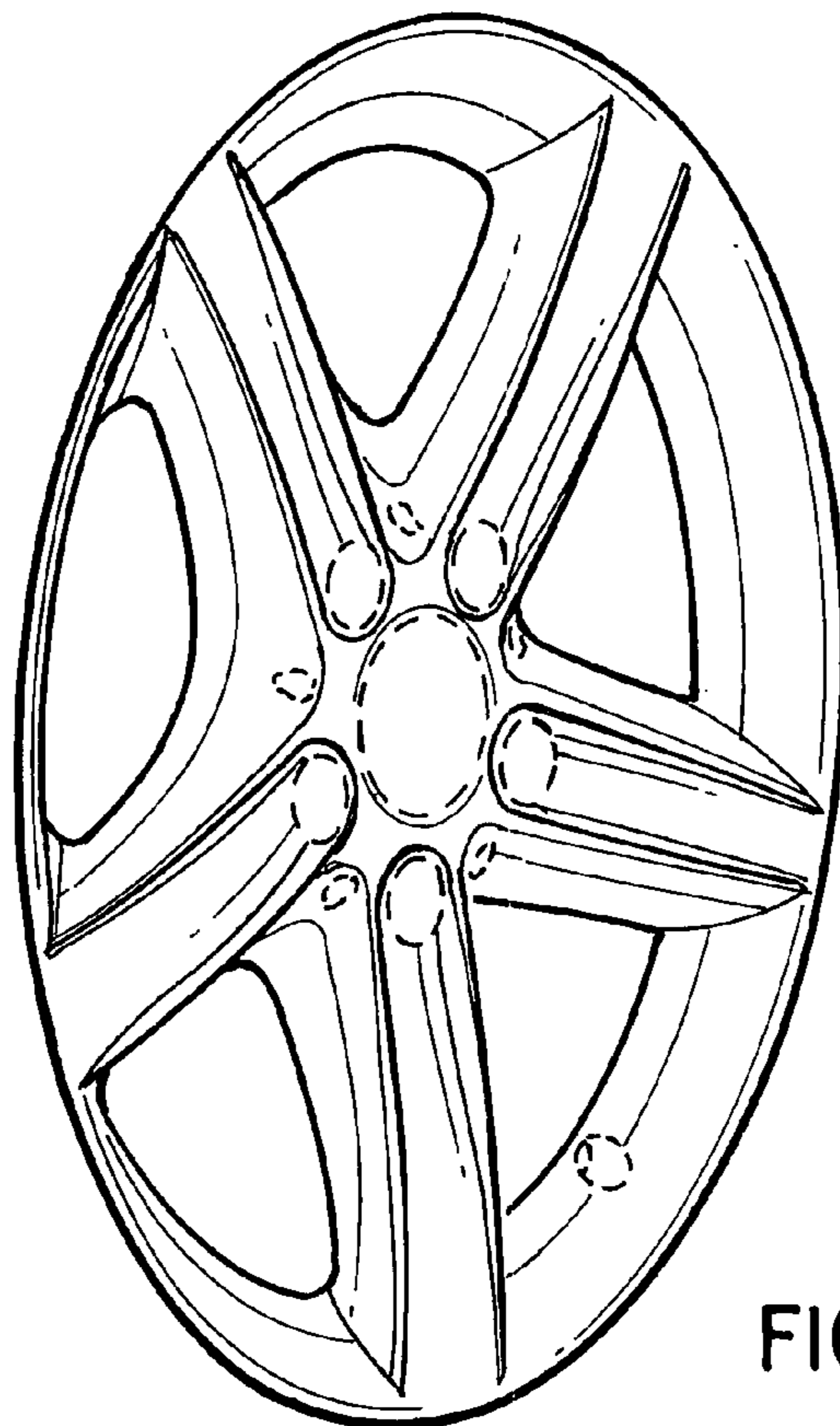


FIG. 2

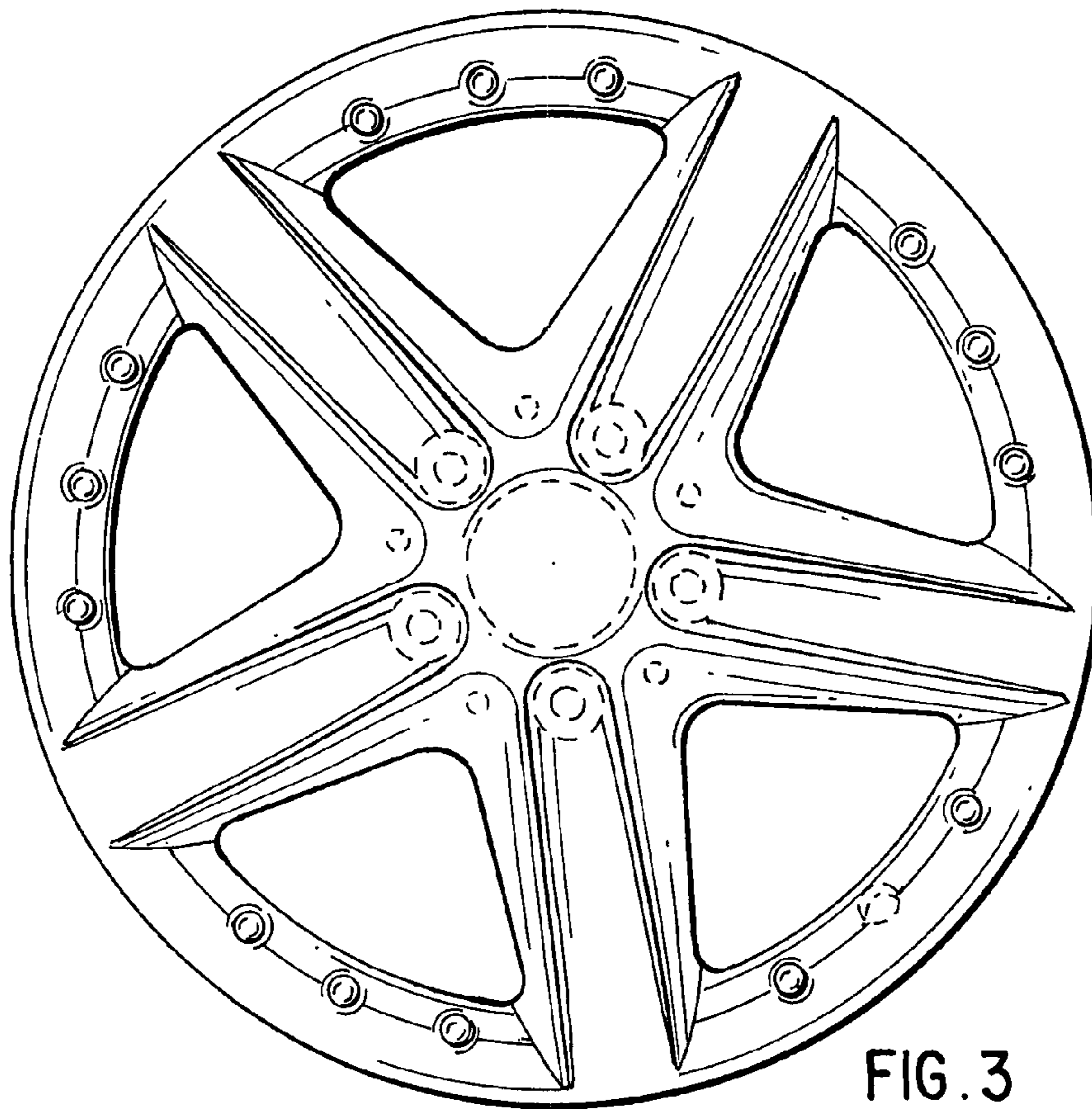


FIG. 3

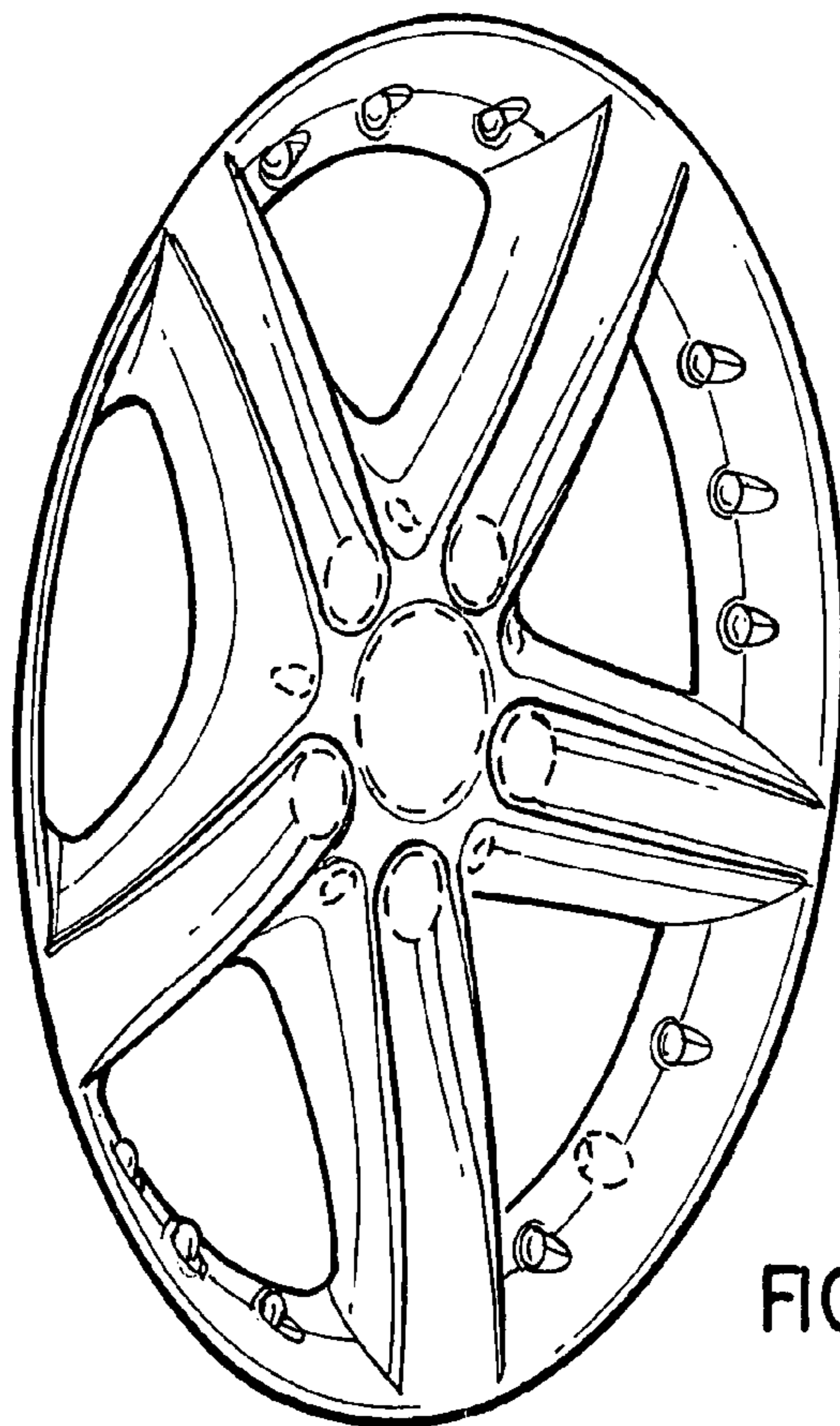


FIG. 4