



US00D586280S

(12) **United States Design Patent**
Blasi

(10) **Patent No.:** **US D586,280 S**
(45) **Date of Patent:** **** Feb. 10, 2009**

(54) **FRONT FACE OF A VEHICLE WHEEL**

(75) Inventor: **Juliane Blasi**, Munich (DE)

(73) Assignee: **Bayerische Motoren Werke Aktiengesellschaft**, Munich (DE)

(**) Term: **14 Years**

(21) Appl. No.: **29/283,804**

(22) Filed: **Aug. 24, 2007**

(30) **Foreign Application Priority Data**

Feb. 26, 2007 (DE) 4 07 01 059

(51) **LOC (9) Cl.** **12-16**

(52) **U.S. Cl.** **D12/209**

(58) **Field of Classification Search** D12/204-213;
301/37.101, 64.101, 65, 64.201
See application file for complete search history.

(56) **References Cited**

U.S. PATENT DOCUMENTS

- D380,432 S * 7/1997 Hettler D12/209
- D485,524 S * 1/2004 Bhambra D12/209
- D487,881 S * 3/2004 Laengerer D12/209
- D491,124 S * 6/2004 Rice D12/209
- D491,865 S 6/2004 Warming
- D506,428 S * 6/2005 Hussaini et al. D12/209
- D509,782 S * 9/2005 Pollmann D12/209

- D516,982 S * 3/2006 Gallert D12/209
- D524,213 S * 7/2006 Szavits D12/209
- D531,950 S * 11/2006 Huet D12/209
- D540,239 S * 4/2007 Pfeiffer D12/211
- D563,305 S * 3/2008 Schweizer D12/211
- D567,165 S * 4/2008 Truebsbach D12/209

FOREIGN PATENT DOCUMENTS

JP D1320252 1/2008

* cited by examiner

Primary Examiner—Stacia Cadmus

(74) *Attorney, Agent, or Firm*—Crowell & Moring LLP

(57) **CLAIM**

The ornamental design for a front face of a vehicle wheel, as shown and described.

DESCRIPTION

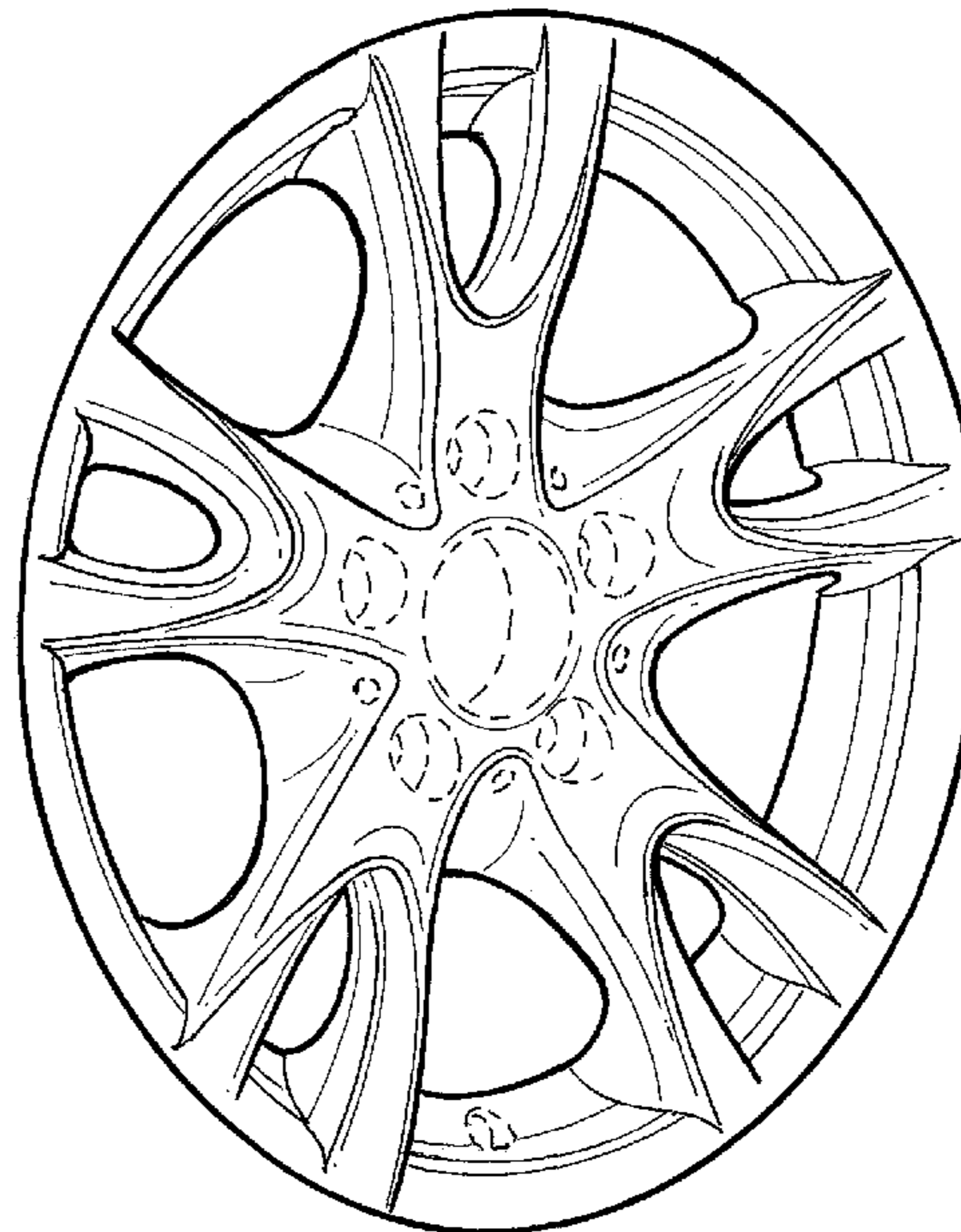
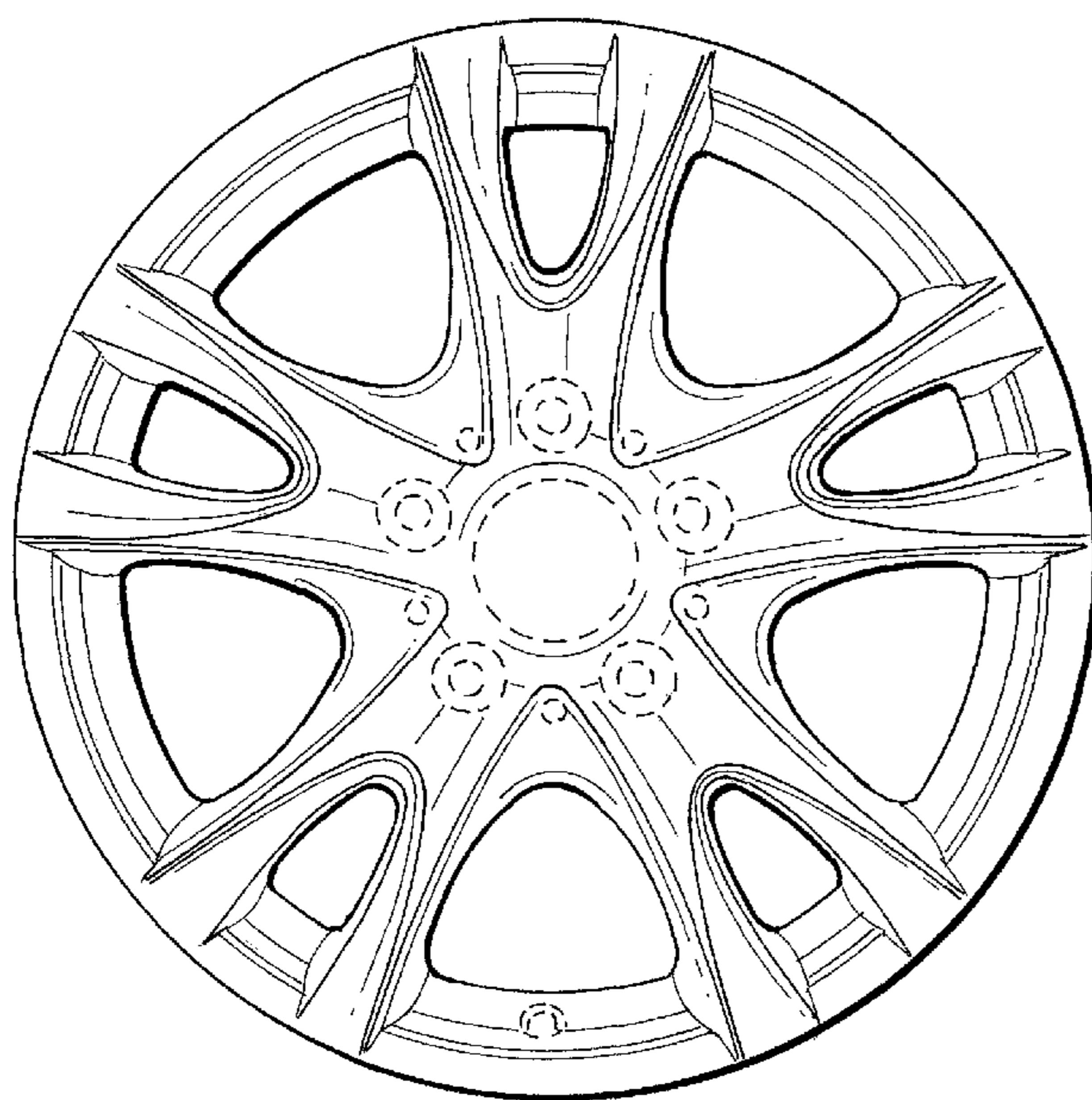
This application is related to the following co-pending application: application Ser. No. 29/290,881, entitled "Front Face of a Vehicle Wheel."

FIG. 1 is a front view of a front face of a vehicle wheel according to my novel design; and,

FIG. 2 is a perspective view thereof.

The broken lines are for illustrative purposes only and form no part of the claimed design.

1 Claim, 1 Drawing Sheet



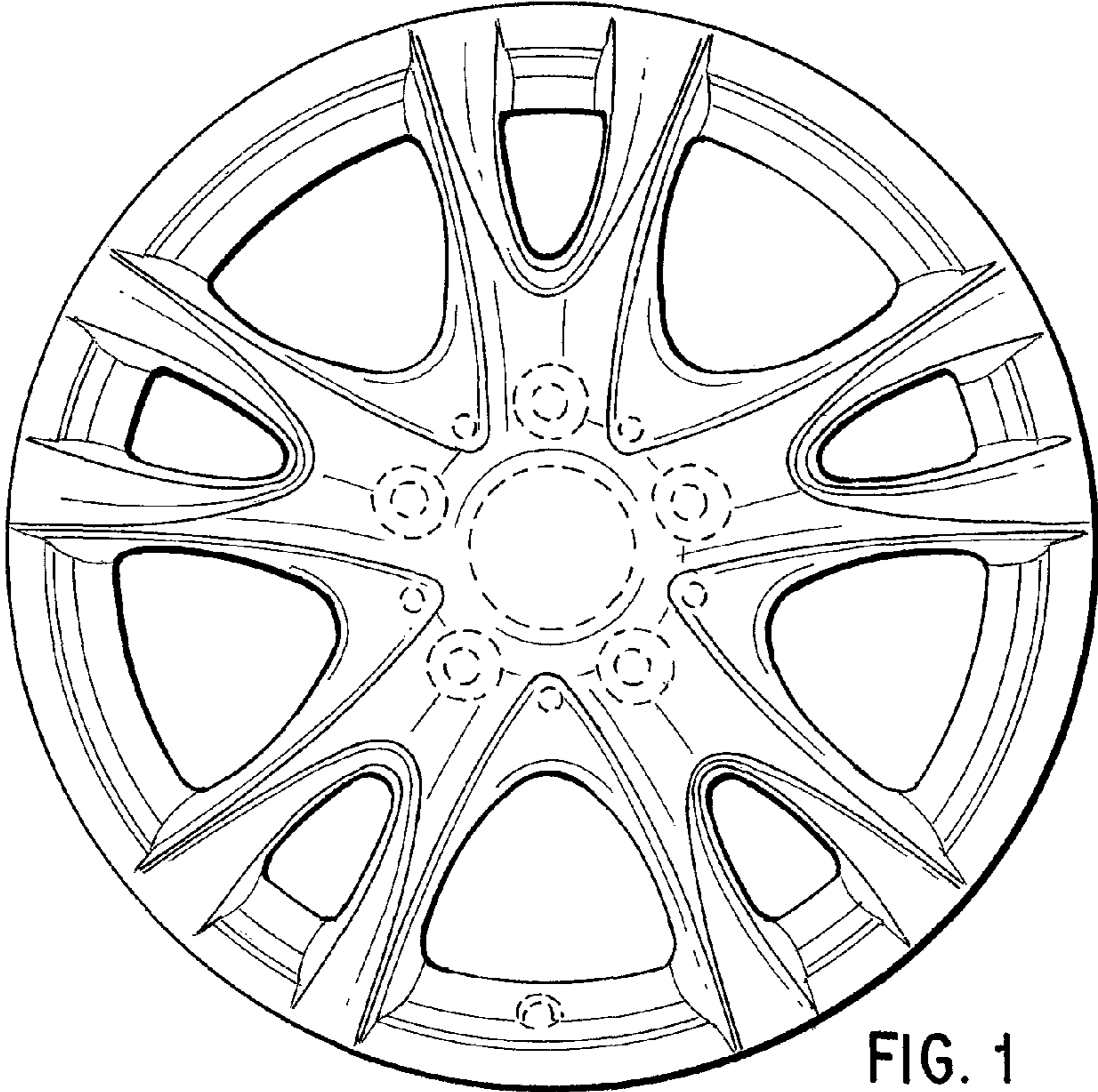


FIG. 1

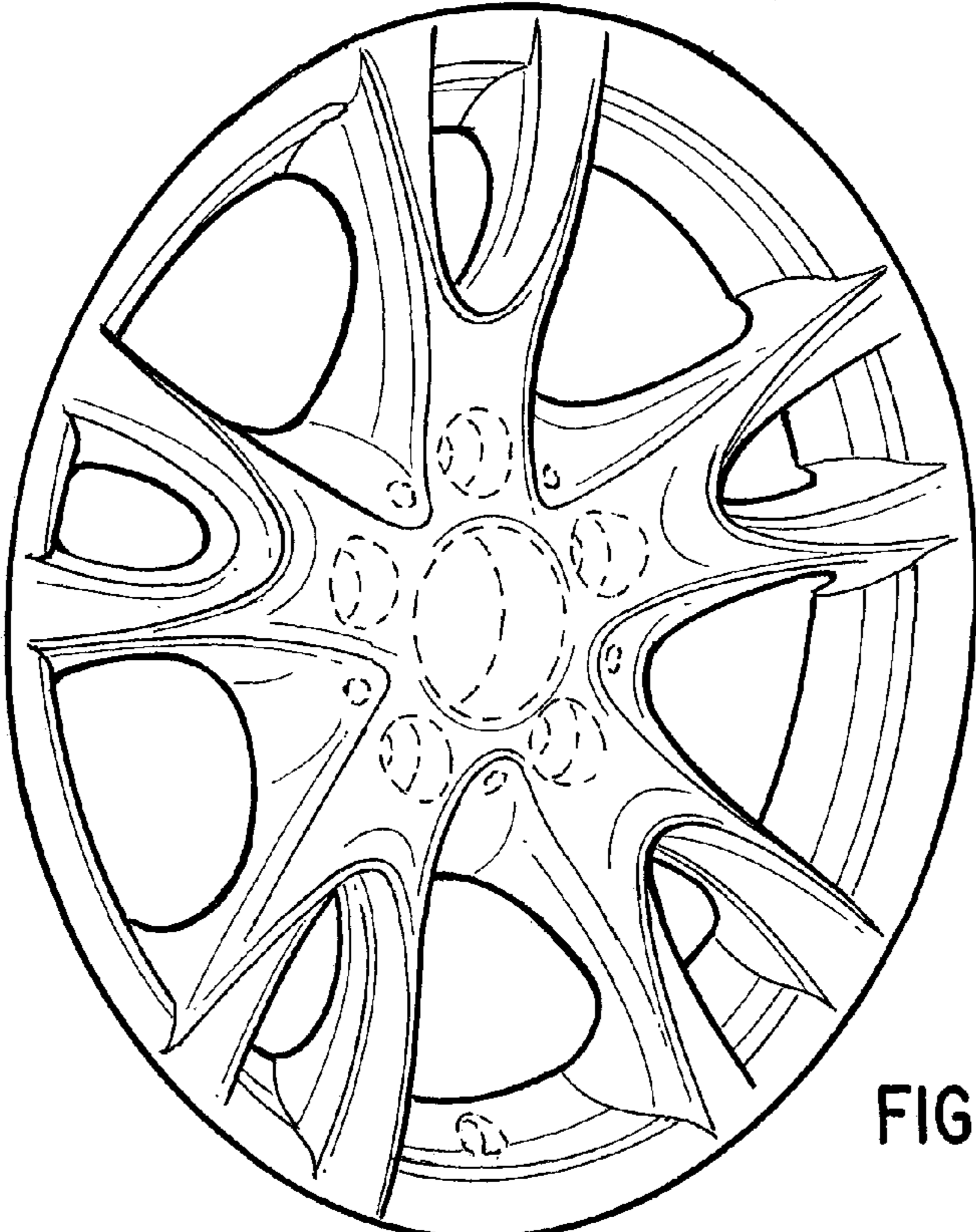


FIG. 2