



US00D586279S

(12) **United States Design Patent**
Yamazaki et al.

(10) **Patent No.:** **US D586,279 S**

(45) **Date of Patent:** **** Feb. 10, 2009**

(54) **VEHICLE DOOR INTERIOR**

(75) Inventors: **Yuichi Yamazaki**, Saitama (JP); **Simon Yu**, Los Angeles, CA (US); **Walter Ma**, Los Angeles, CA (US); **Masaya Kikuchi**, Saitama (JP)

(73) Assignee: **Honda Motor Co., Ltd.**, Tokyo (JP)

(**) Term: **14 Years**

(21) Appl. No.: **29/319,934**

(22) Filed: **Jun. 17, 2008**

(51) **LOC (9) Cl.** **12-16**

(52) **U.S. Cl.** **D12/195**

(58) **Field of Classification Search** D12/190,
D12/195, 196; 49/501-502; 296/37.1-37.13,
296/149, 146.1, 153; D8/302-303

See application file for complete search history.

(56) **References Cited**

U.S. PATENT DOCUMENTS

- D415,461 S * 10/1999 Sacco et al. D12/195
- D463,343 S * 9/2002 Siegert D12/195
- D518,763 S * 4/2006 Sudo D12/195

- D519,429 S * 4/2006 Miyashita D12/195
- D531,101 S * 10/2006 Yu et al. D12/195
- D533,821 S * 12/2006 Tamagawa et al. D12/195
- D534,470 S * 1/2007 Tsuchiya et al. D12/195
- D534,849 S * 1/2007 Tamagawa et al. D12/195
- D567,164 S * 4/2008 Kato D12/195

* cited by examiner

Primary Examiner—Stacia Cadmus

(74) *Attorney, Agent, or Firm*—Plumsea Law Group, LLC; Mark E. Duell

(57) **CLAIM**

The ornamental design for a vehicle door interior, as shown and described.

DESCRIPTION

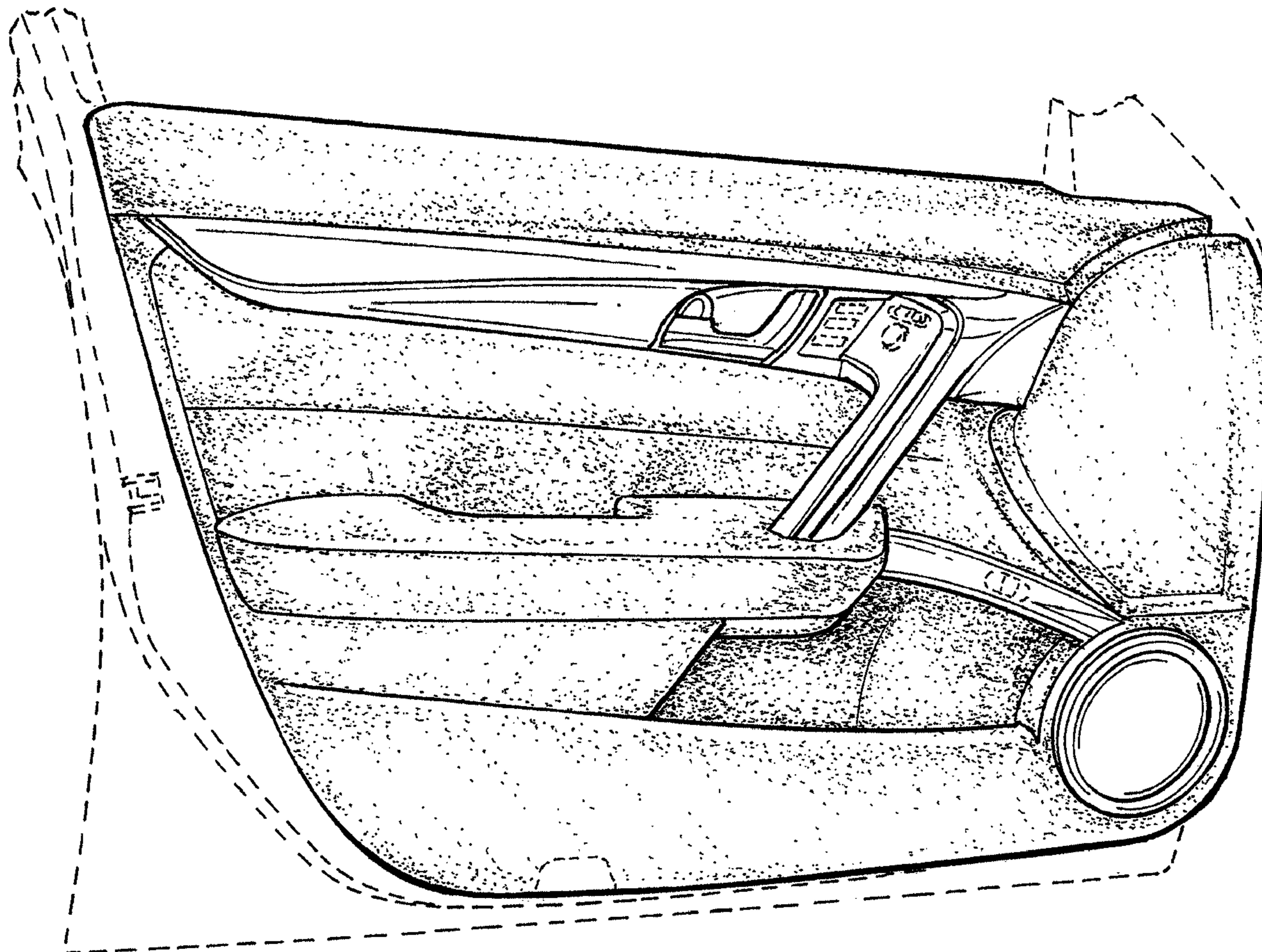
FIG. 1 is a perspective view of a vehicle door interior showing our new design;

FIG. 2 is a front view thereof; and,

FIG. 3 is a top view thereof.

The broken line showings of the other areas of the door depict environmental subject matter and form no part of the claimed design.

1 Claim, 3 Drawing Sheets



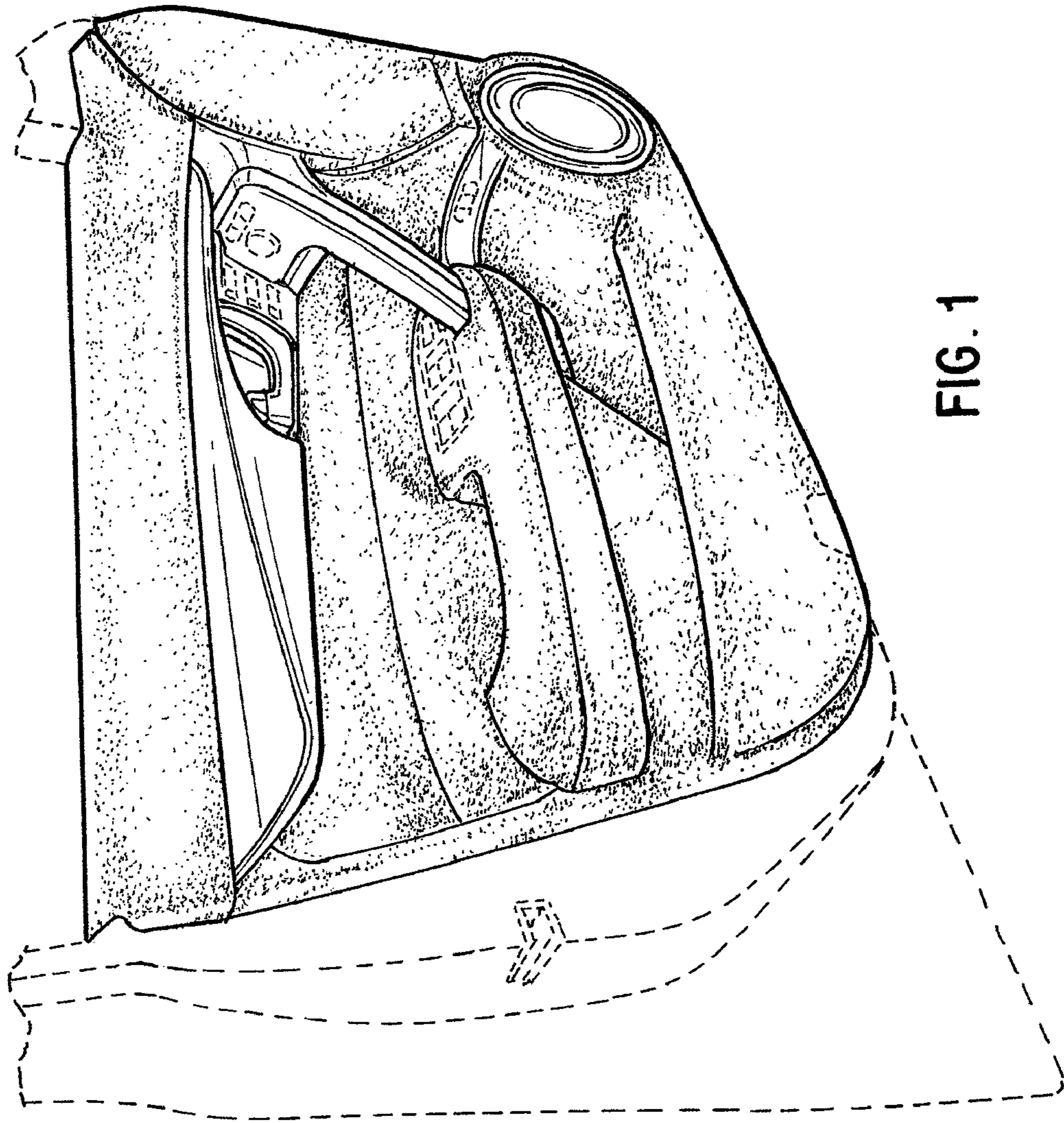


FIG. 1

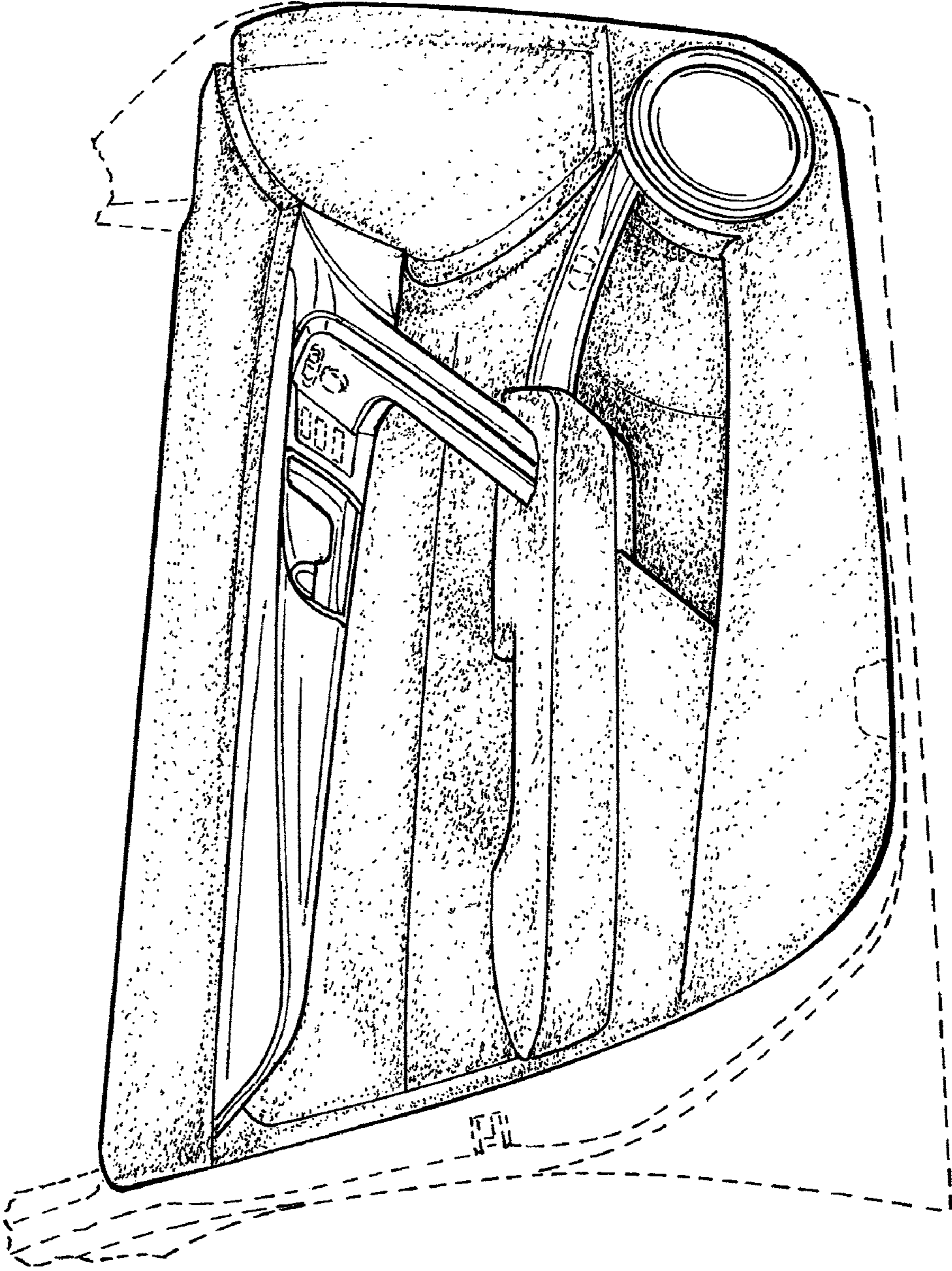


FIG. 2

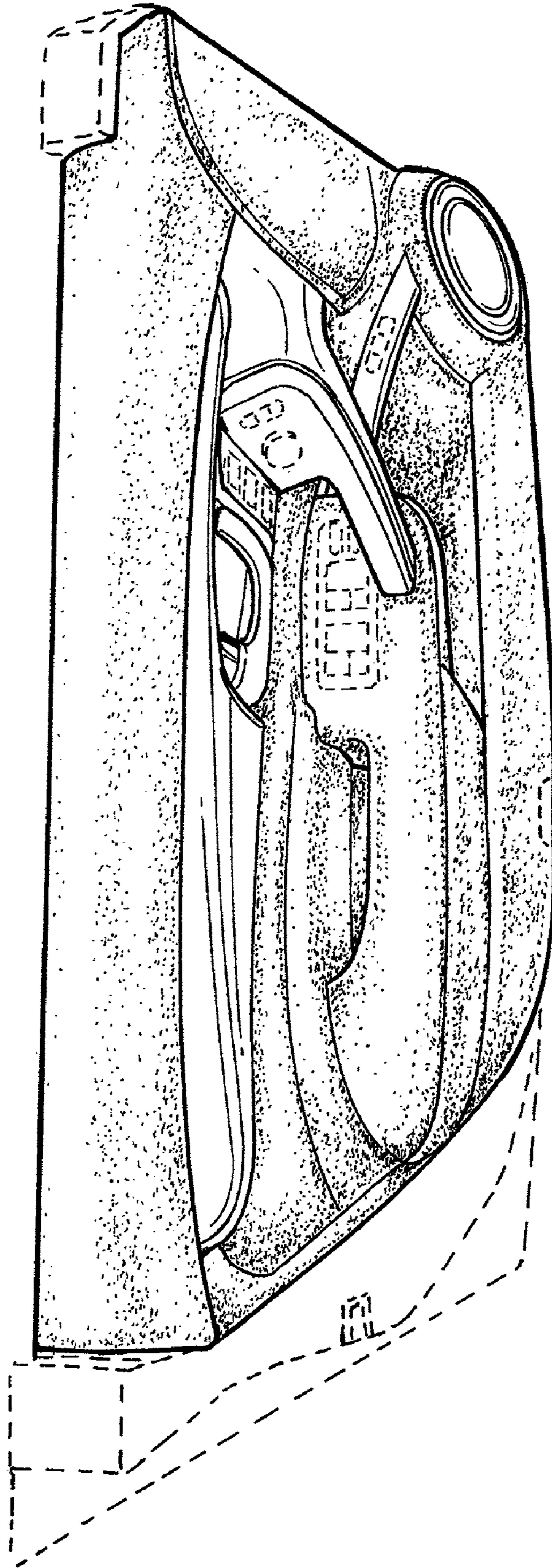


FIG. 3