



US00D586271S

(12) **United States Design Patent**
Futschik et al.

(10) **Patent No.:** **US D586,271 S**

(45) **Date of Patent:** **** Feb. 10, 2009**

(54) **REAR BUMPER FOR A VEHICLE**

D563,842 S * 3/2008 Pfeiffer D12/169

(75) Inventors: **Hans-Dieter Futschik**, Gechingen (DE);
Stefan Handt, Stuttgart (DE); **Steffen Koehl**, Stuttgart (DE); **Frank Pfisterer**, Weil der Stadt (DE)

* cited by examiner

Primary Examiner—Melody N Brown

(74) *Attorney, Agent, or Firm*—Crowell & Moring LLP

(73) Assignee: **Daimler AG**, Stuttgart (DE)

(57) **CLAIM**

(**) Term: **14 Years**

The ornamental design for a rear bumper for a vehicle, as shown and described.

(21) Appl. No.: **29/300,823**

(22) Filed: **May 19, 2008**

DESCRIPTION

(30) **Foreign Application Priority Data**

Nov. 20, 2007 (DE) 40705738

FIG. 1 is a right perspective view of a rear bumper for a vehicle according to our novel design;

(51) **LOC (9) Cl.** **12-16**

FIG. 2 is a front view thereof;

(52) **U.S. Cl.** **D12/169**

FIG. 3 is a top view thereof;

(58) **Field of Classification Search** D12/169,
D12/196, 171, 163, 216, 90-92, 86; 293/102,
293/113, 115, 117, 120; 296/180.1, 180.2
See application file for complete search history.

FIG. 4 is a left side view thereof;

FIG. 5 is a right side view thereof; and,

FIG. 6 is a bottom view thereof.

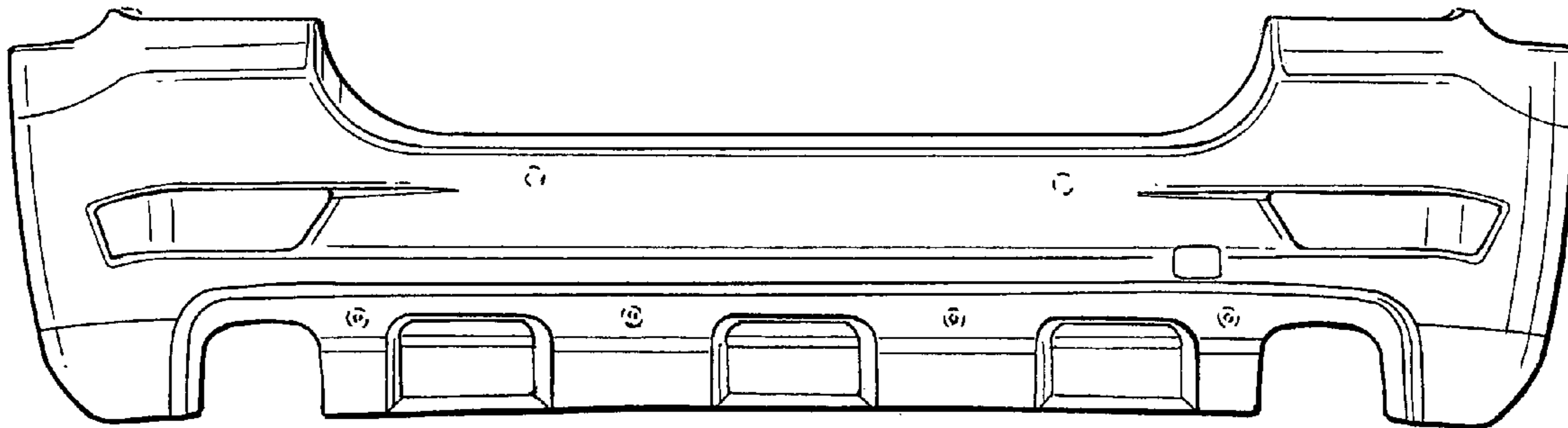
(56) **References Cited**

The broken lines are for illustrative purposes only and form no part of the claimed design.

U.S. PATENT DOCUMENTS

D545,734 S * 7/2007 Kono D12/169

1 Claim, 3 Drawing Sheets



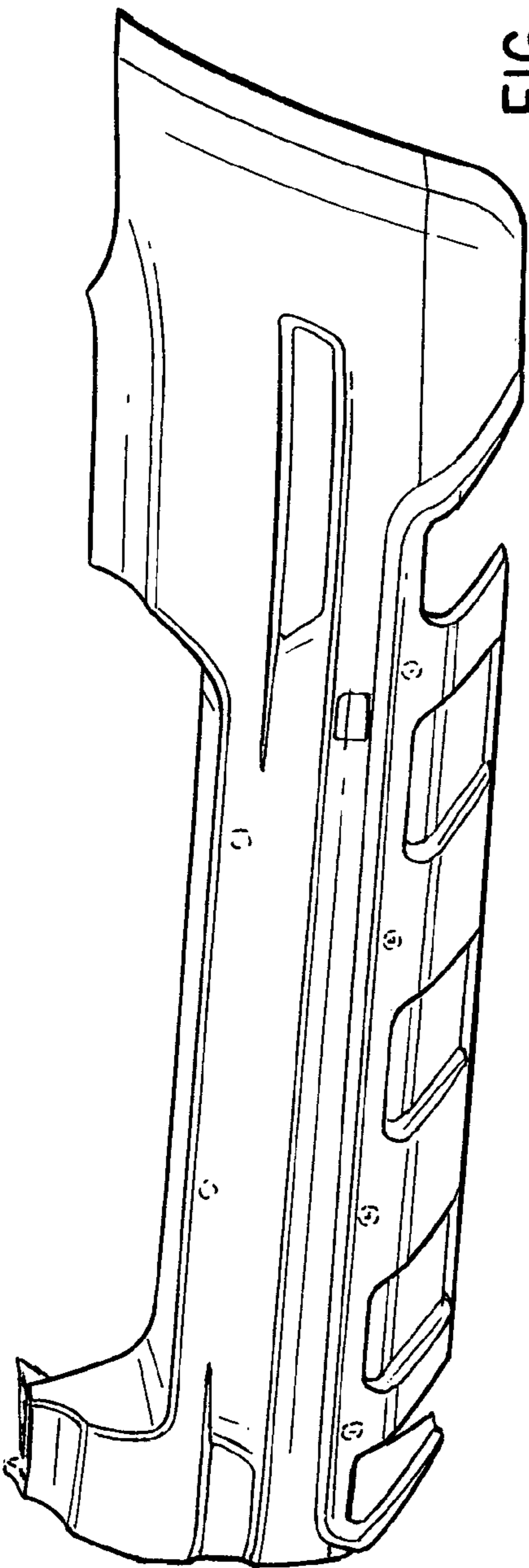


FIG. 1

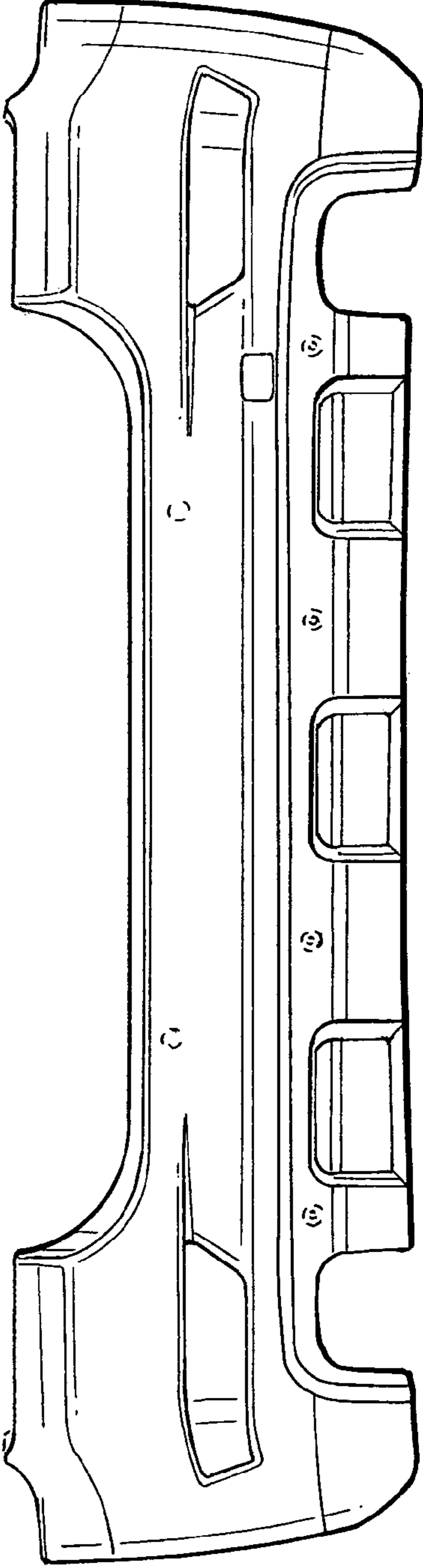
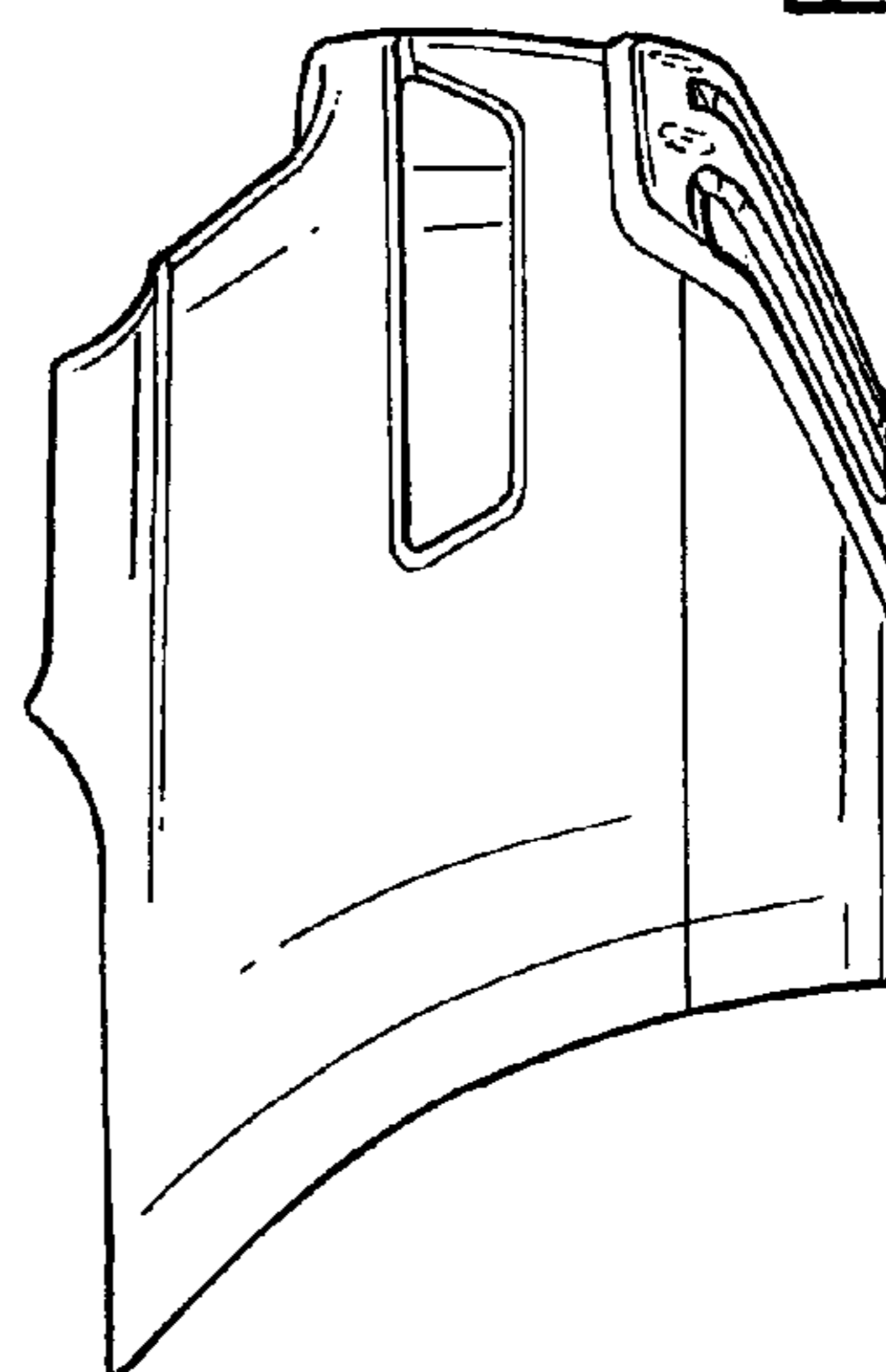
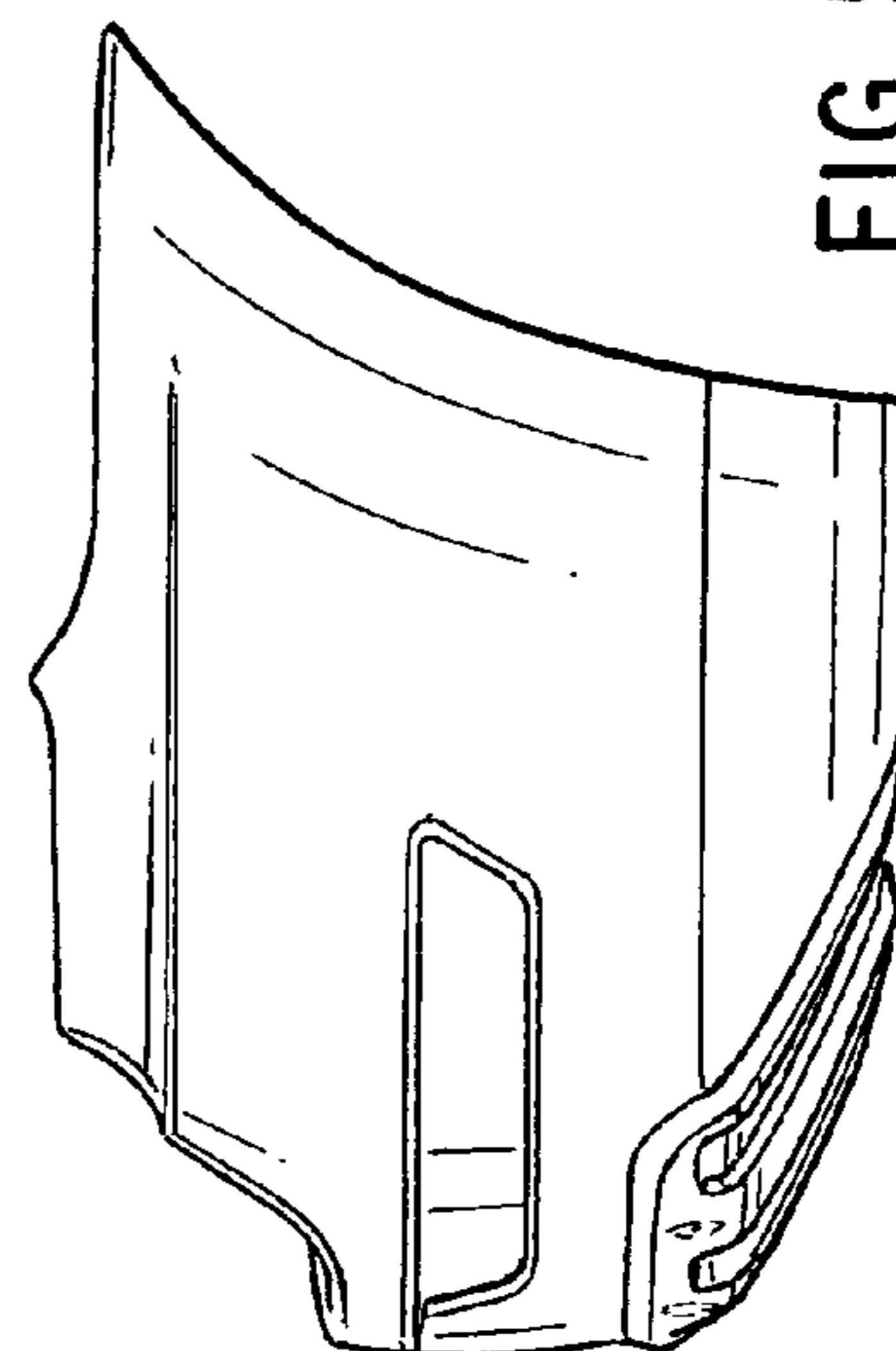
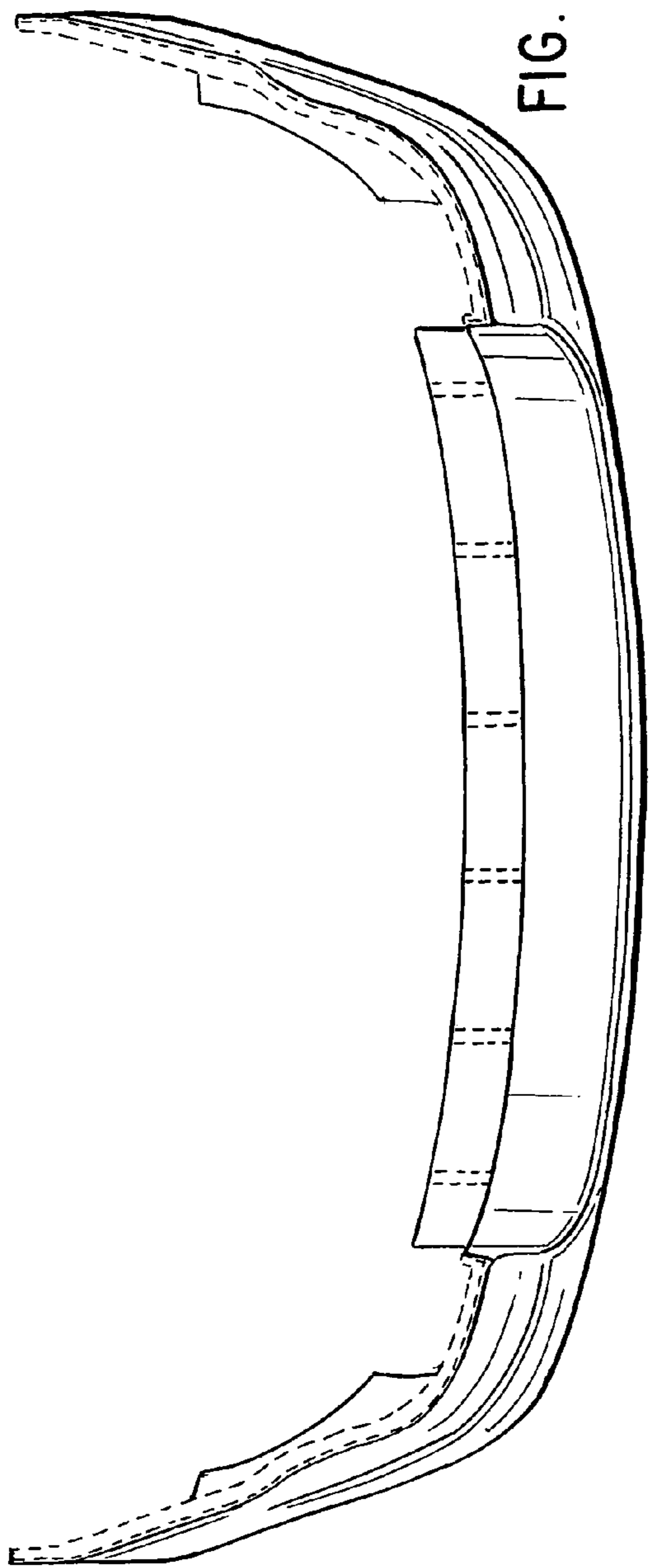


FIG. 2



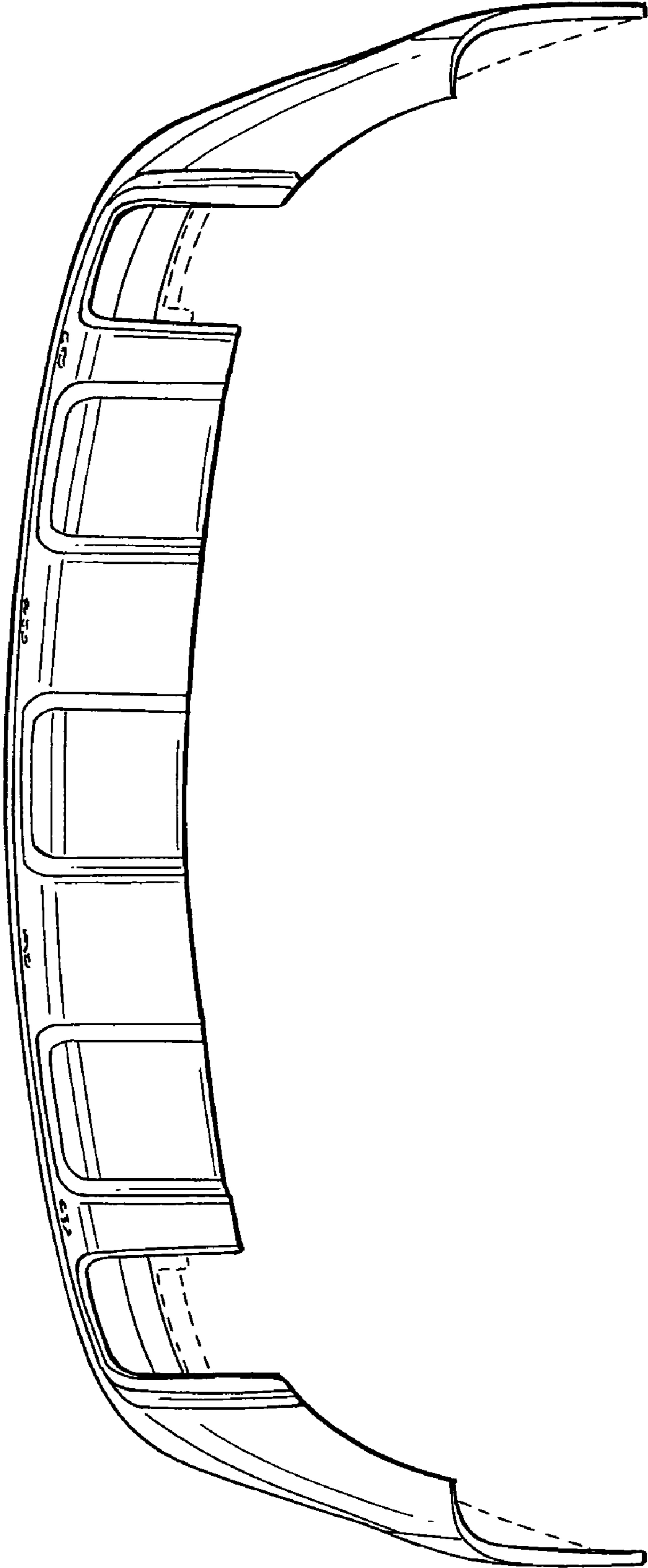


FIG. 6