



US00D586267S

(12) **United States Design Patent**
Ebel et al.

(10) **Patent No.:** **US D586,267 S**

(45) **Date of Patent:** **** Feb. 10, 2009**

(54) **VEHICLE LOWER GRILLE**

(75) Inventors: **Addam Ebel**, Dearborn, MI (US);
Solomon H. Song, Farmington Hills, MI
(US); **Darrell Paul Behmer**, Novi, MI
(US); **Moray Stuart Callum**, Ann
Arbor, MI (US)

(73) Assignee: **Ford Motor Company**, Dearborn, MI
(US)

(**) Term: **14 Years**

(21) Appl. No.: **29/295,771**

(22) Filed: **Oct. 5, 2007**

(51) **LOC (9) Cl.** **12-16**

(52) **U.S. Cl.** **D12/163**

(58) **Field of Classification Search** D12/163,
D12/171, 196, 216, 90-92, 86; 180/68.1,
180/68.6; 296/193.11

See application file for complete search history.

(56) **References Cited**

U.S. PATENT DOCUMENTS

D510,302 S *	10/2005	Sugimoto	D12/163
D514,480 S *	2/2006	Yamaji et al.	D12/163
D531,938 S *	11/2006	Okamura	D12/163
D534,104 S *	12/2006	Miyata et al.	D12/163
D535,224 S *	1/2007	Kubota et al.	D12/163
D561,654 S *	2/2008	Platto et al.	D12/163
D562,195 S *	2/2008	Ito et al.	D12/163
D568,217 S *	5/2008	Tomatsu et al.	D12/163

OTHER PUBLICATIONS

Mercury, Milan VOGA unveiled during Miami Fashion Week,
Google Image Result for <http://www.autoblog.com/media/2006/05/milanvasa2500.jpg>.

Mercury, Milan, GM insider at <http://img72.imageshack.us/img72/5994/mercurymilanseptember07c13.jpg>.
Mercury, Concept Meta One, Detroit 2005.
Mercury, Milan Premier V6, Detroit 2006.

* cited by examiner

Primary Examiner—Melody N Brown

(74) *Attorney, Agent, or Firm*—Damian Porcari

(57) **CLAIM**

The ornamental design for a vehicle lower grille, as shown and described.

DESCRIPTION

FIG. 1 is a front elevational view of a vehicle lower grille showing our new design;

FIG. 2 is a left side elevational view of the vehicle lower grille;

FIG. 3 is a right side elevational view of the vehicle lower grille;

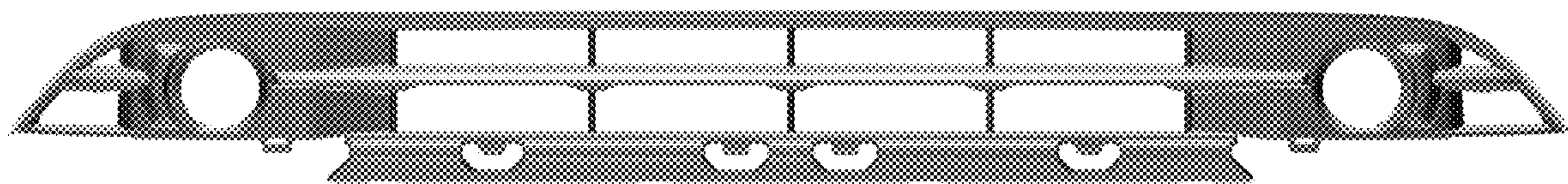
FIG. 4 is a top plan view of the vehicle lower grille;

FIG. 5 is a bottom plan view of the vehicle lower grille; and,

FIG. 6 is a rear elevational view of the vehicle lower grille.

The vehicle lower grille is styled independently of adjacent vehicle panels. To the extent that any feature lines are illustrated, they are intended to illustrate the crest and valley of the feature and are not necessarily sharp bends in the part. Shading is used to illustrate the curvature of the part and not color. Areas shown in or sounded by broken lines are not claimed. Any functional features of the vehicle lower grille are not claimed. Views are orthogonal projections unless otherwise noted. The various views are not necessarily to scale in order to better illustrate the design.

1 Claim, 5 Drawing Sheets



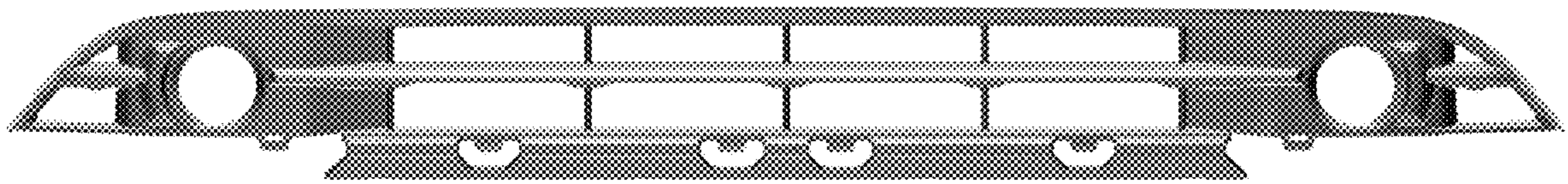


Figure 1

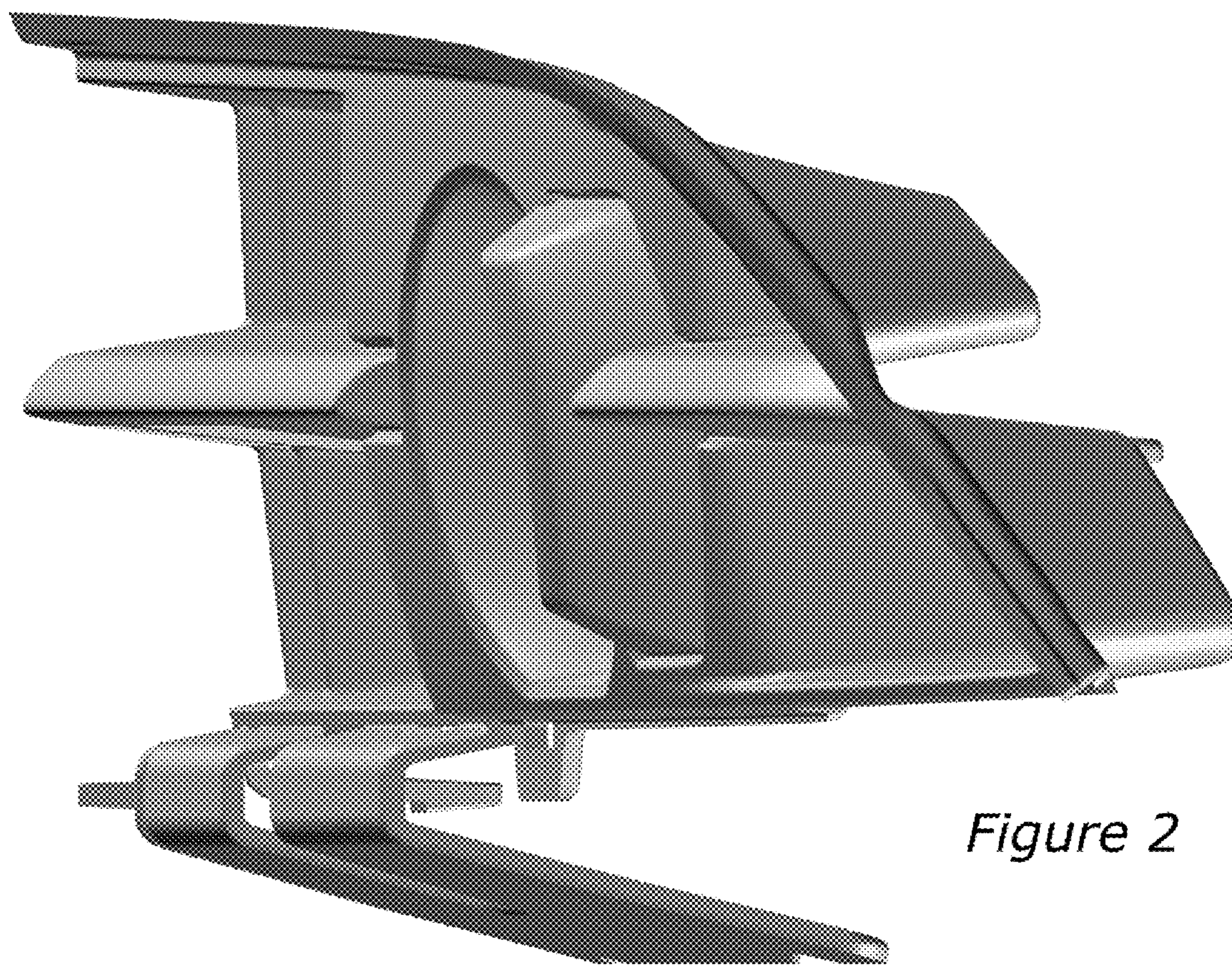


Figure 2

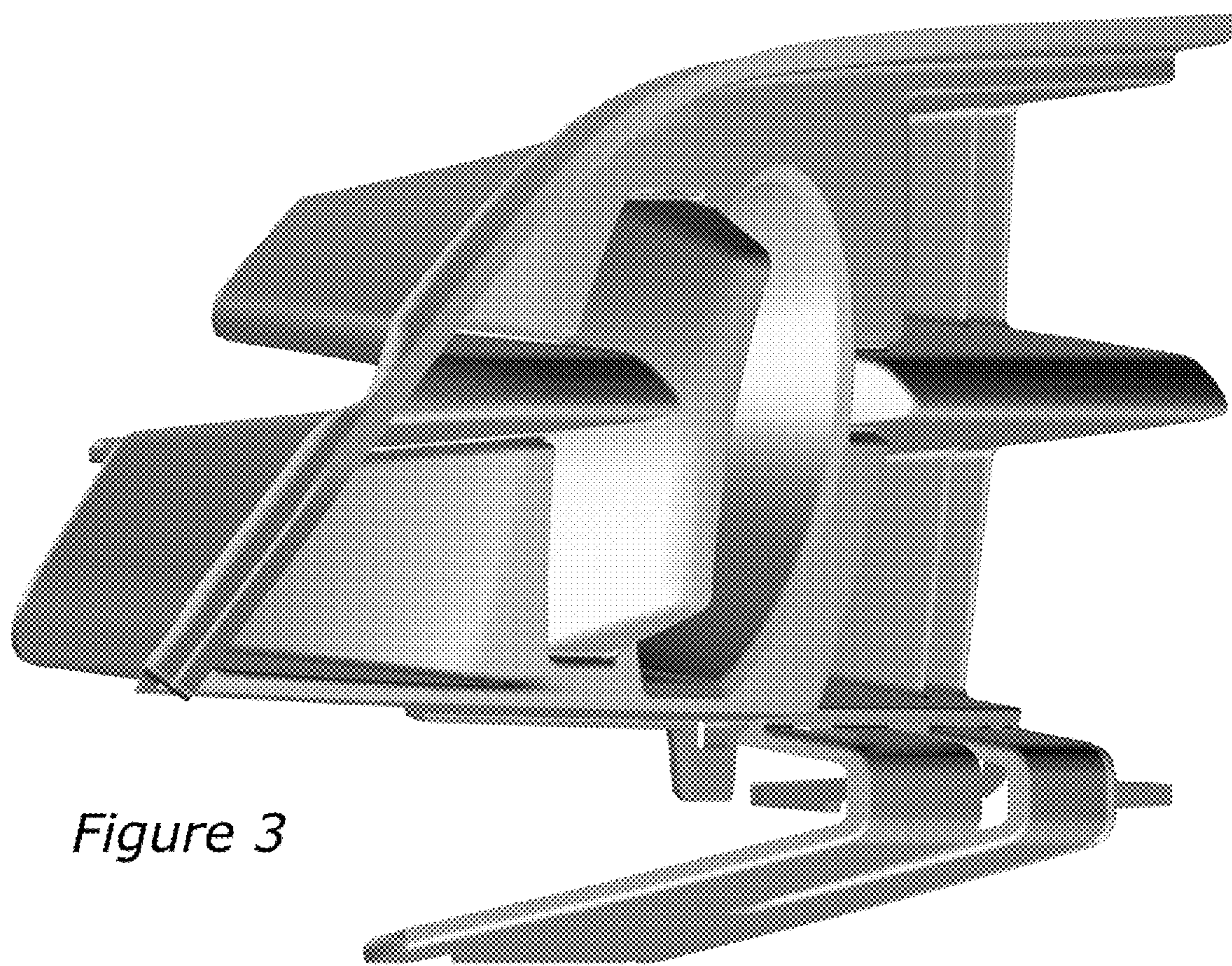


Figure 3



Figure 4



Figure 5

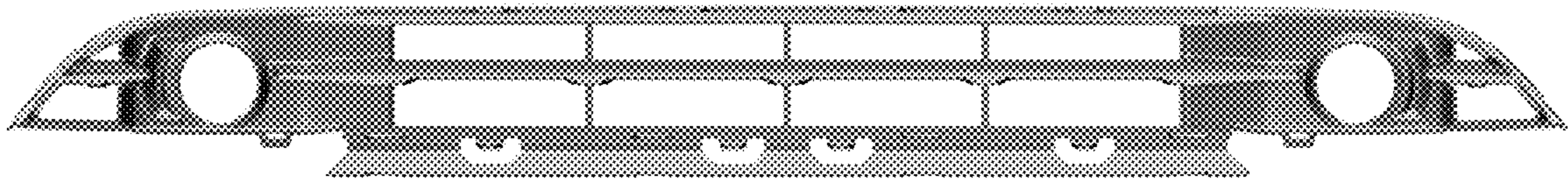


Figure 6