



US00D586265S

(12) **United States Design Patent**
Lin et al.

(10) **Patent No.:** **US D586,265 S**
(45) **Date of Patent:** **** Feb. 10, 2009**

(54) **ELECTRICAL BICYCLE**

4,653,767 A * 3/1987 Gajewski 280/278

(75) Inventors: **I-Shun Lin**, Taipei (TW); **I Liu**, Taipei (TW); **Chung-Ming Sun**, Taipei (TW)

* cited by examiner

Primary Examiner—Cathron C Brooks

Assistant Examiner—Linda Brooks

(73) Assignee: **U2 Industry Design Co., Ltd.**, Taipei (TW)

(74) *Attorney, Agent, or Firm*—WPAT, P.C.; Anthony King

(**) Term: **14 Years**

(57) **CLAIM**

(21) Appl. No.: **29/284,742**

The ornamental design for an electrical bicycle, as shown and described.

(22) Filed: **Sep. 14, 2007**

DESCRIPTION

(51) **LOC (9) Cl.** **12-11**

FIG. 1 is a perspective view of an electrical bicycle showing our design;

(52) **U.S. Cl.** **D12/111**

FIG. 2 is a front view thereof;

(58) **Field of Classification Search** D12/111,

FIG. 3 is a rear view thereof;

D12/110, 107; 280/202, 274–280, 281.1,

FIG. 4 is a left view thereof;

280/288.1–288.4, 265, 219, 282, 242.1, 266,

FIG. 5 is a right view thereof;

280/270, 287, 218, 200, 221; 180/206, 220,

FIG. 6 is a top view thereof; and,

180/65.1–65.6, 205, 207, 219; D21/432,

D21/538

FIG. 7 is a bottom view thereof.

See application file for complete search history.

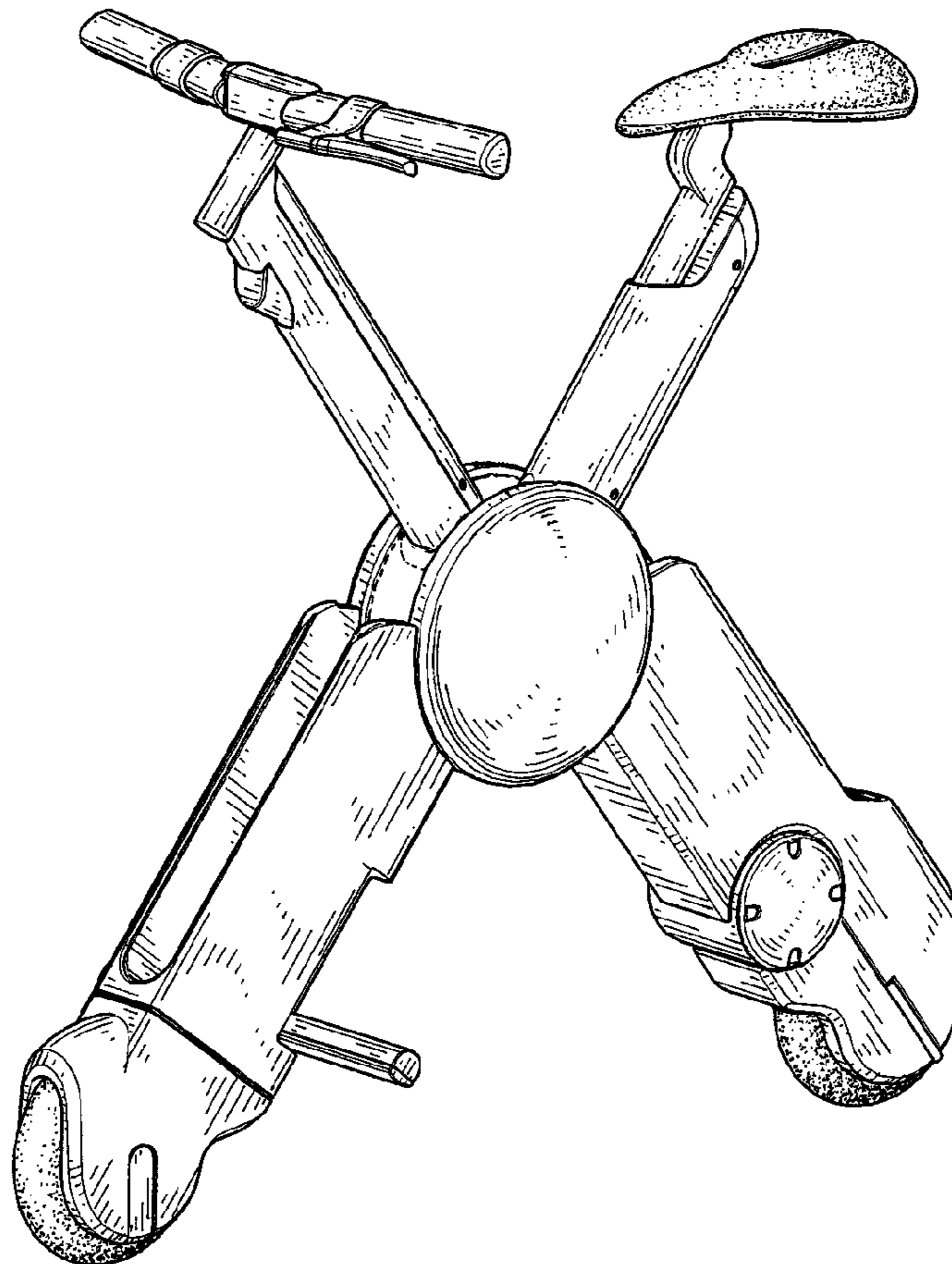
The portions of the electrical bicycle shown in broken lines form no part of the claimed design.

(56) **References Cited**

U.S. PATENT DOCUMENTS

1,330,951 A * 2/1920 Oelhafen 280/219

1 Claim, 5 Drawing Sheets



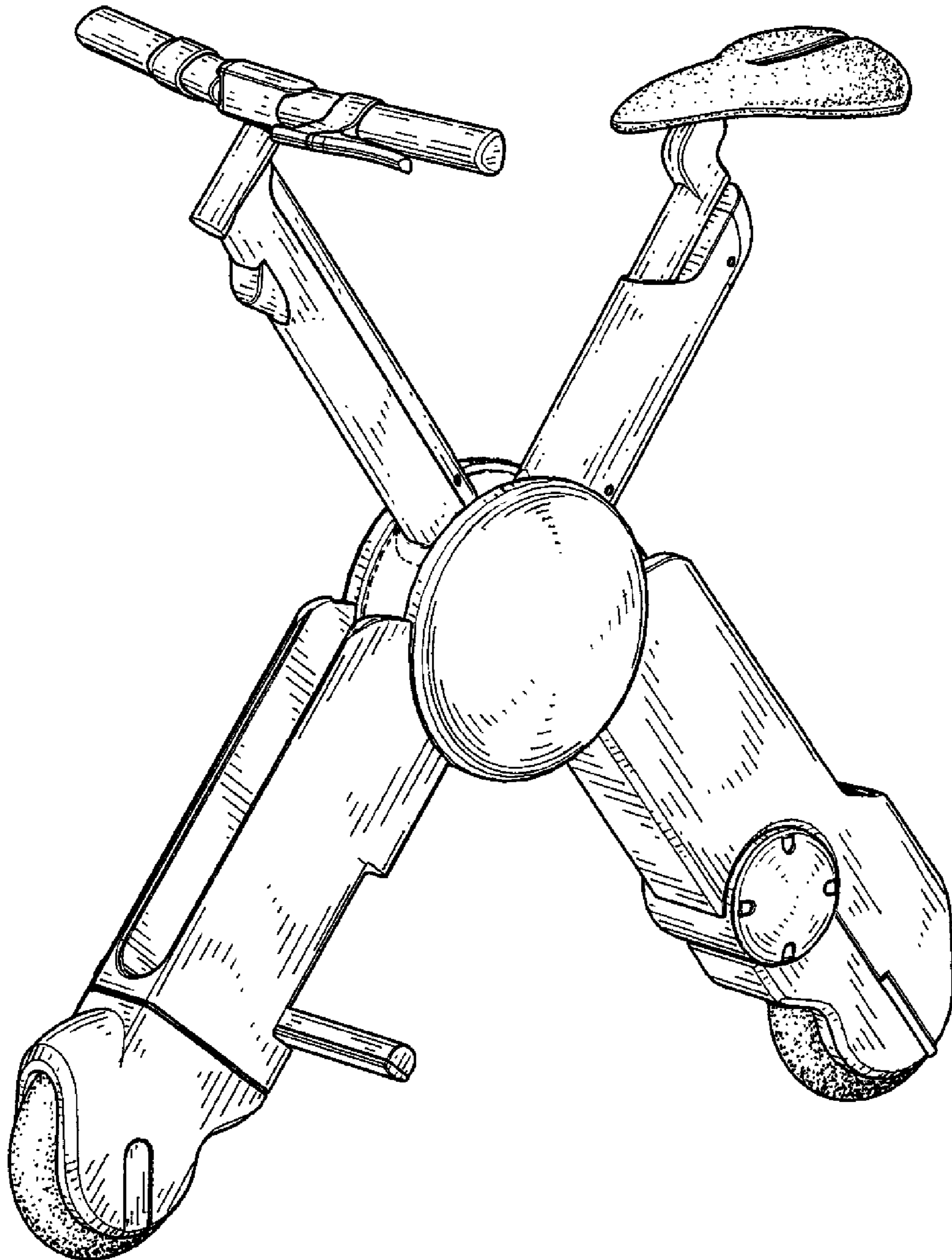


FIG. 1

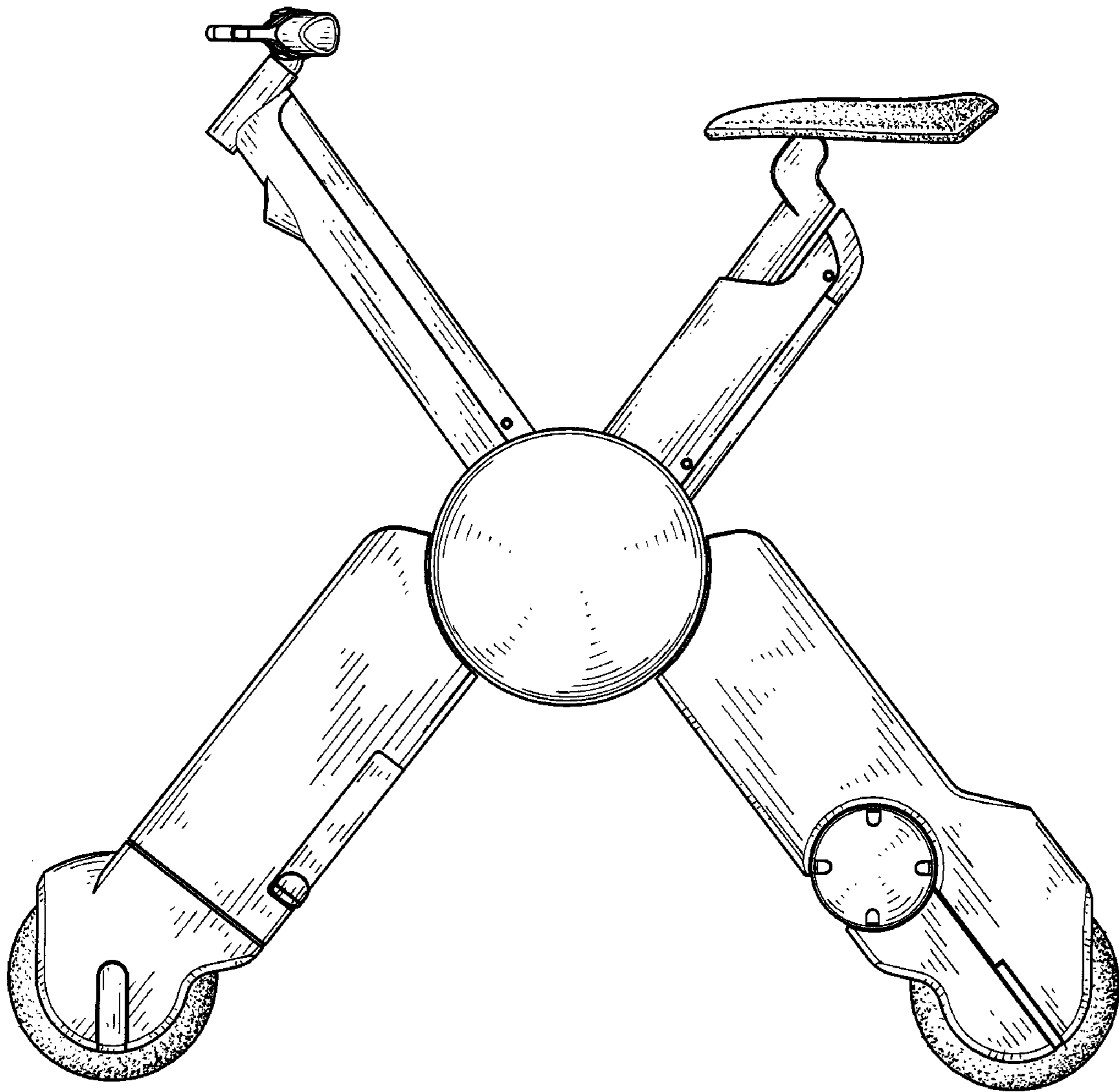


FIG. 2

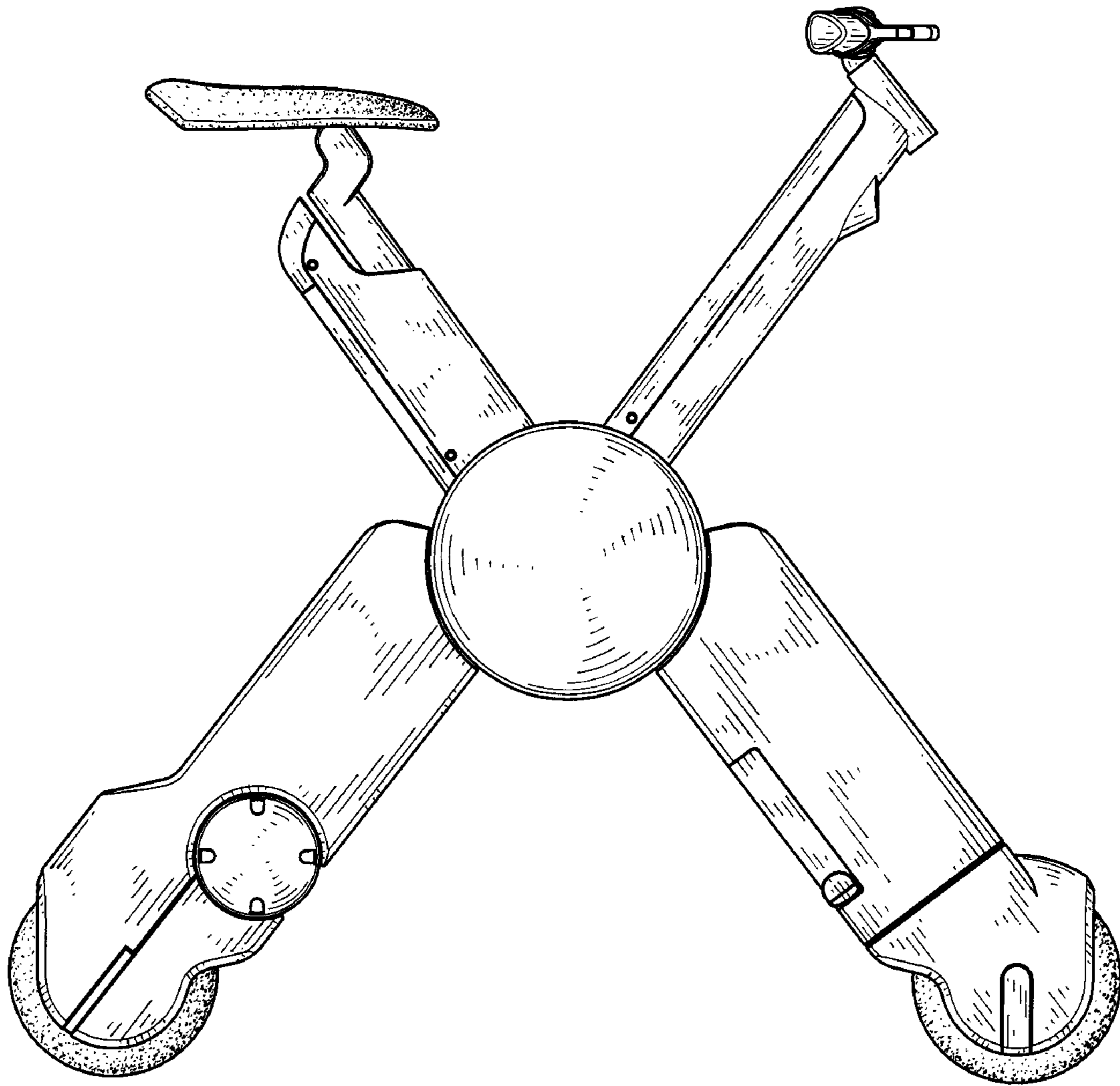


FIG. 3

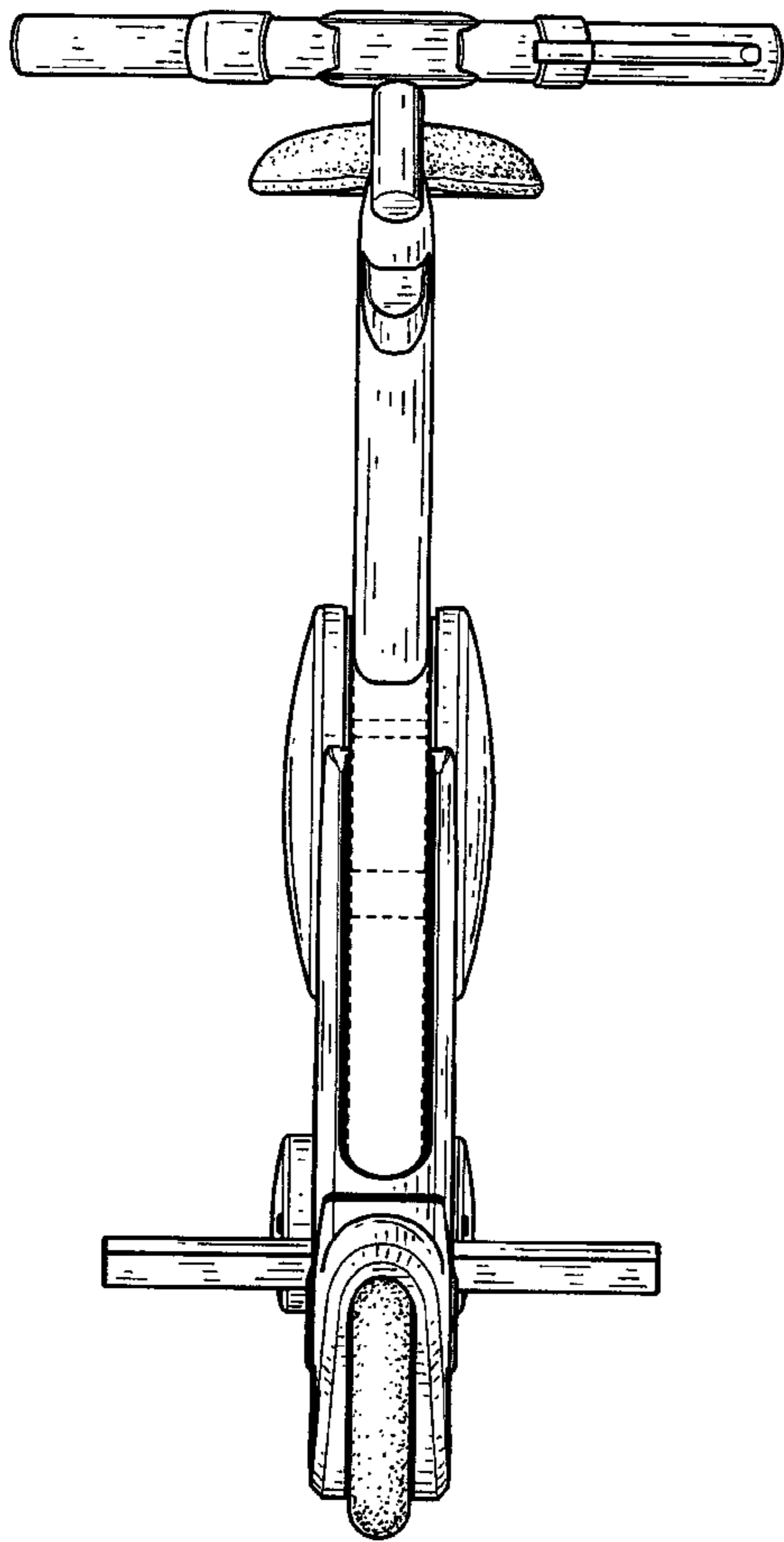


FIG. 4

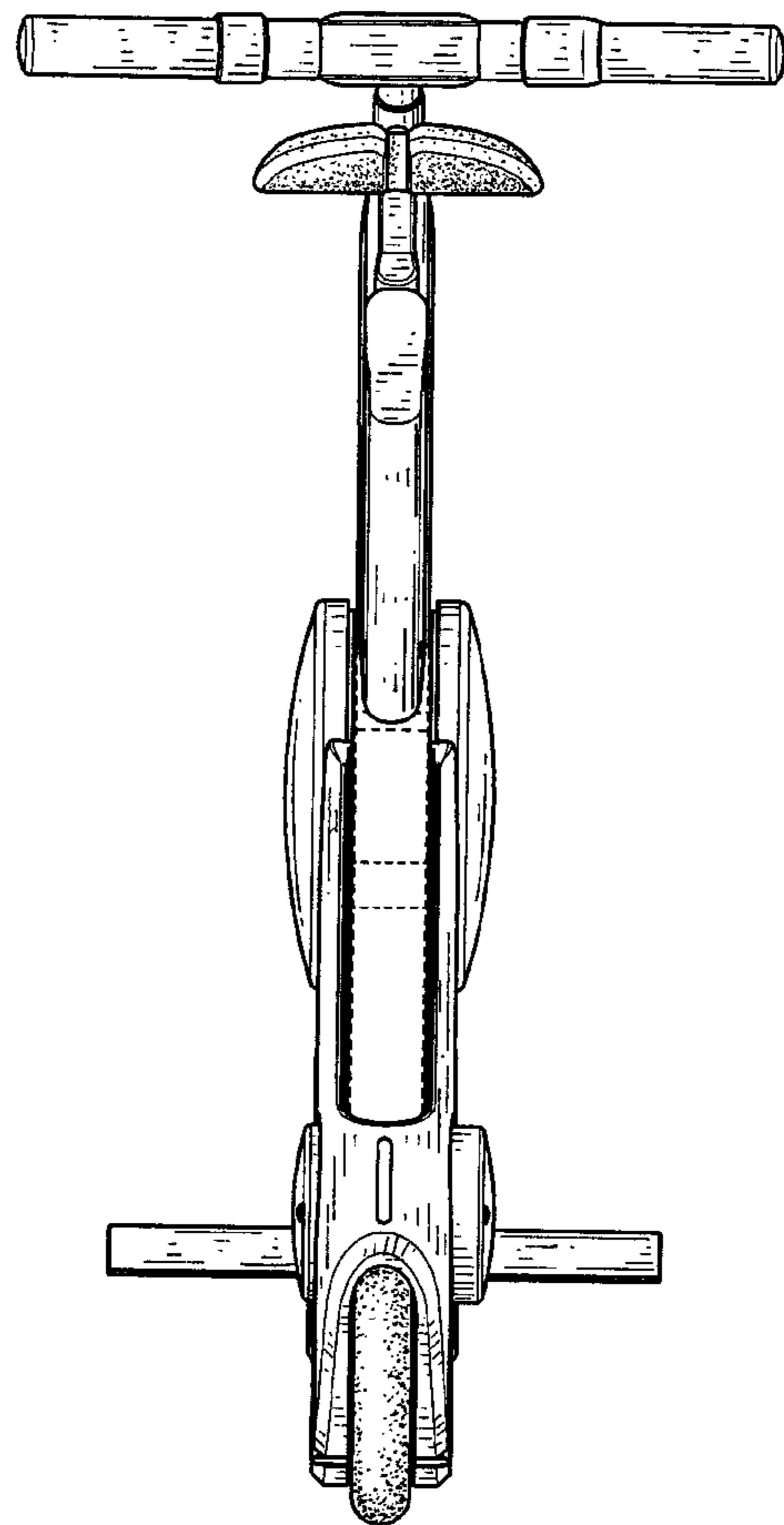


FIG. 5

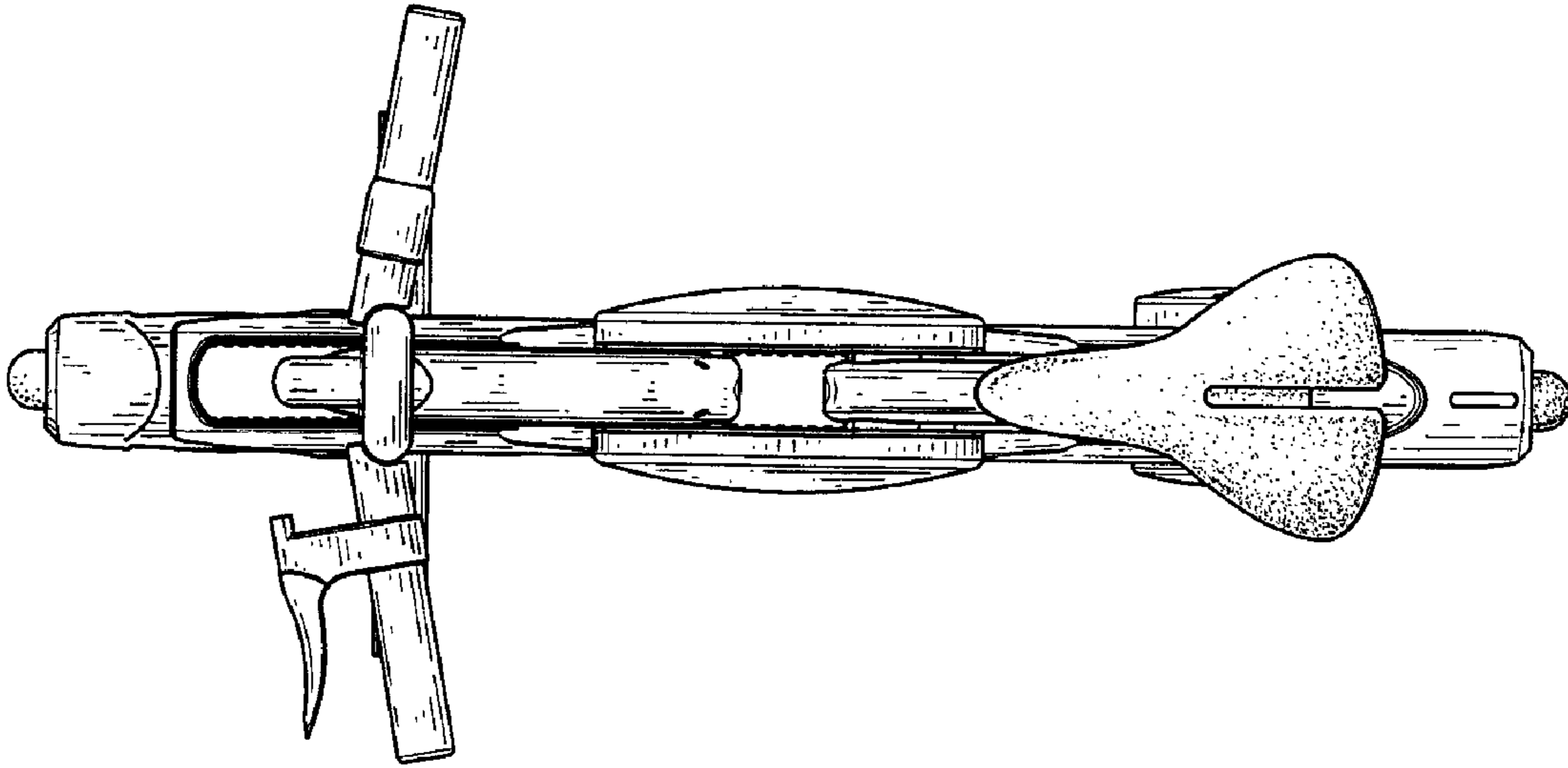


FIG. 6

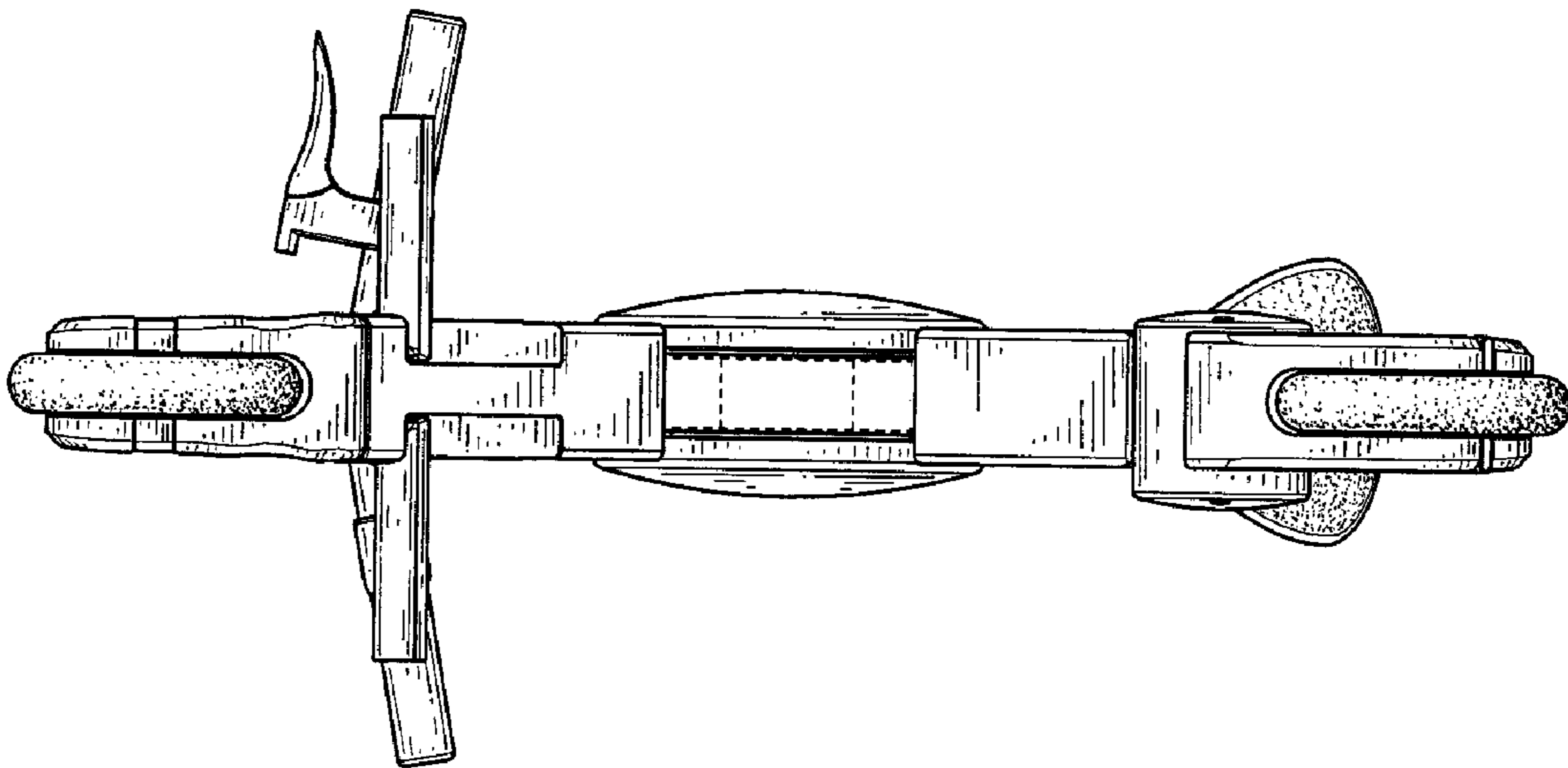


FIG. 7