



US00D586264S

(12) **United States Design Patent**
Liao

(10) **Patent No.:** **US D586,264 S**
(45) **Date of Patent:** **** Feb. 10, 2009**

(54) **BABY TRAILER**

(75) Inventor: **Gordon Liao**, Tainan Hsien (TW)

(73) Assignee: **Unique Product & Design Co., Ltd.**,
Yung Kang (TW)

(**) Term: **14 Years**

(21) Appl. No.: **29/304,816**

(22) Filed: **Mar. 7, 2008**

Related U.S. Application Data

(62) Division of application No. 29/277,703, filed on Mar. 7, 2007, now Pat. No. Des. 576,083.

(51) **LOC (9) Cl.** **12-12**

(52) **U.S. Cl.** **D12/101; D12/129; D34/24**

(58) **Field of Classification Search** D12/128-133,
D12/101, 105; 280/62, 647-650, 29, 200,
280/47.38, 250.1, 259, 642, 658; 297/DIG. 4;
296/65.03, 65.04; 224/409; 135/65-67,
135/74; 180/208; 267/5; D34/24, 26
See application file for complete search history.

(56) **References Cited**

U.S. PATENT DOCUMENTS

5,020,814 A * 6/1991 George et al. 280/204
5,123,668 A * 6/1992 Ligas 280/204
5,474,316 A * 12/1995 Britton 280/204
D376,773 S * 12/1996 Bell D12/101

D379,333 S * 5/1997 Jacobs D12/129
5,785,333 A * 7/1998 Hinkston et al. 280/204
D402,930 S * 12/1998 Baechler et al. D12/133
5,947,497 A * 9/1999 Hsu 280/204
5,979,921 A * 11/1999 Derven et al. 280/204
D500,904 S * 1/2005 Probol D34/24
6,959,938 B1 * 11/2005 Liu 280/204
7,354,058 B2 * 4/2008 Chou 280/651

* cited by examiner

Primary Examiner—Charles A Rademaker

Assistant Examiner—Charles D Hanson

(74) *Attorney, Agent, or Firm*—C. G. Mersereau; Nikolai & Mersereau, P.A.

(57) **CLAIM**

The ornamental design for the baby trailer, as shown and described.

DESCRIPTION

FIG. 1 is a perspective view of a baby trailer showing my new design;

FIG. 2 is a front elevational view thereof;

FIG. 3 is a rear elevational view thereof;

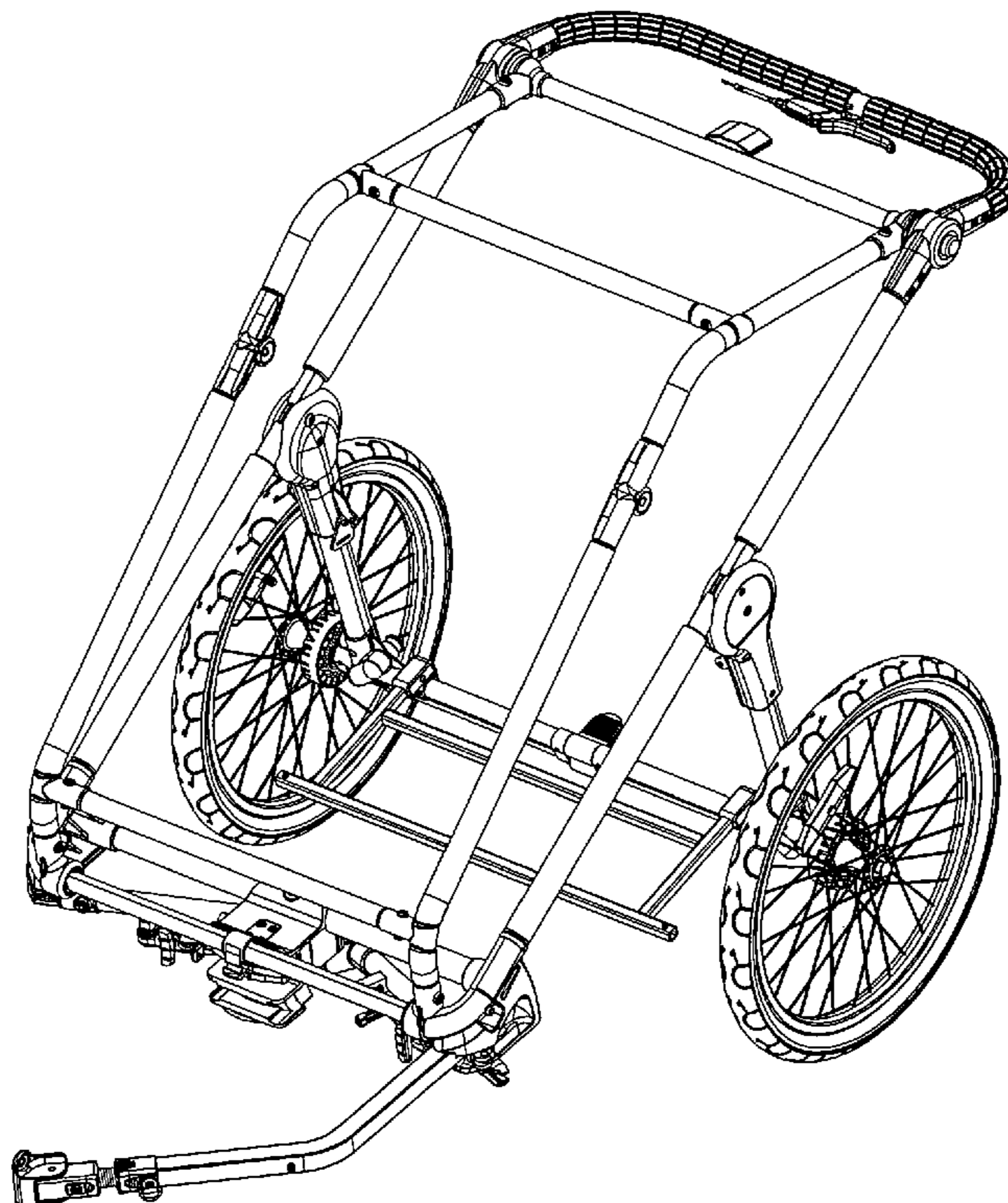
FIG. 4 is a left side elevational view thereof;

FIG. 5 is a right side elevational view thereof;

FIG. 6 is a top plan view thereof; and,

FIG. 7 is a bottom plan view thereof.

1 Claim, 7 Drawing Sheets



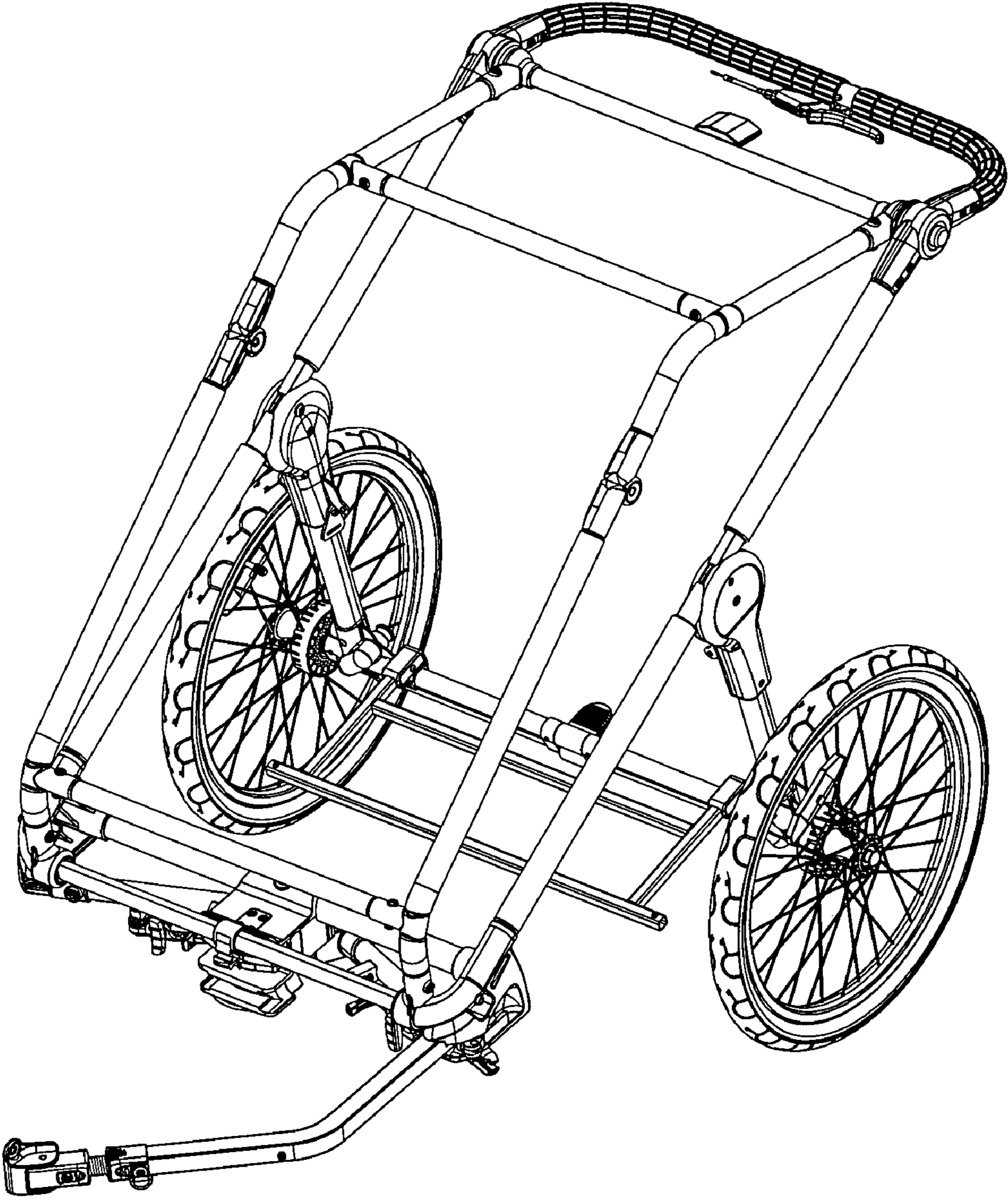


FIG. 1

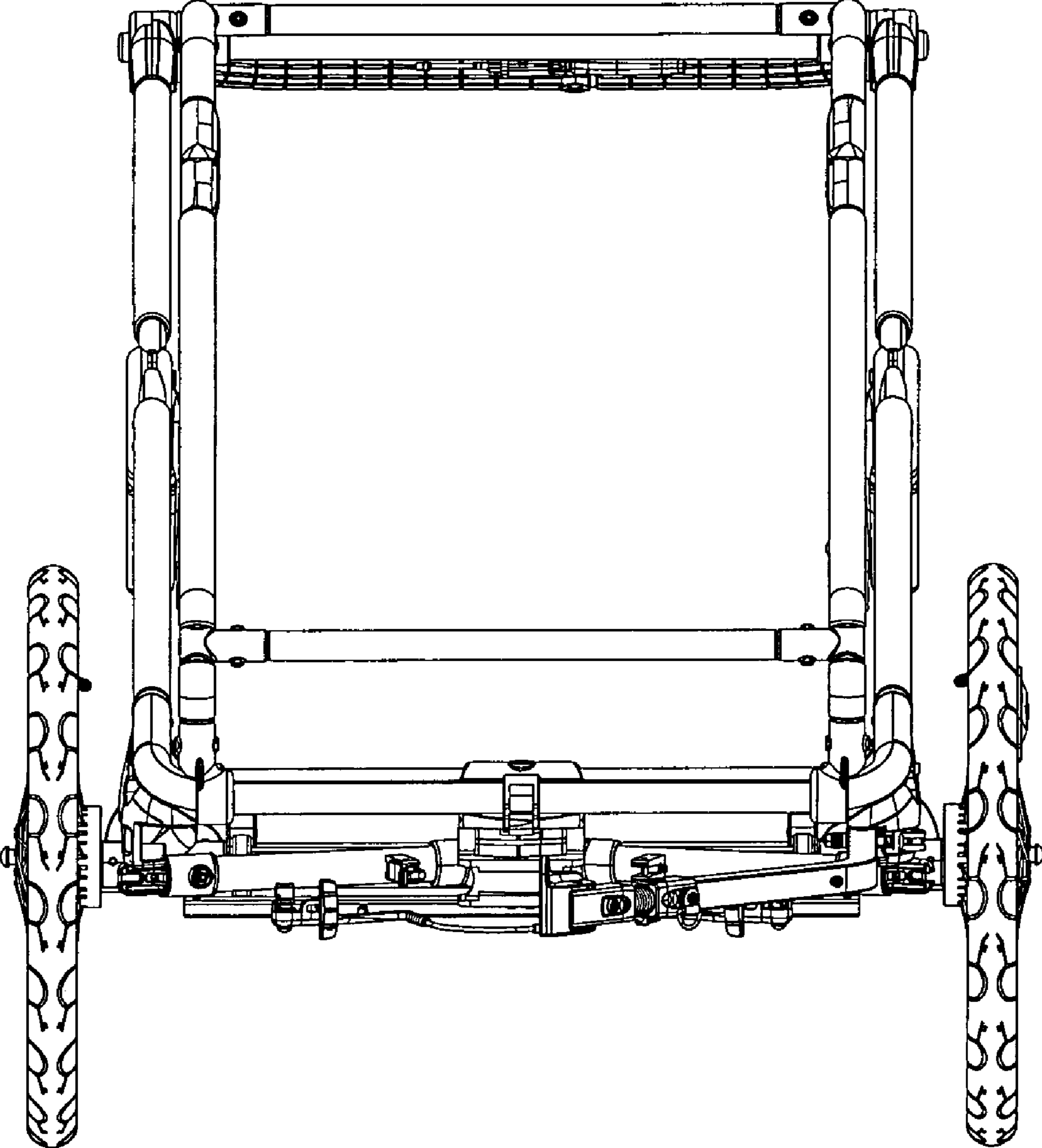


FIG. 2

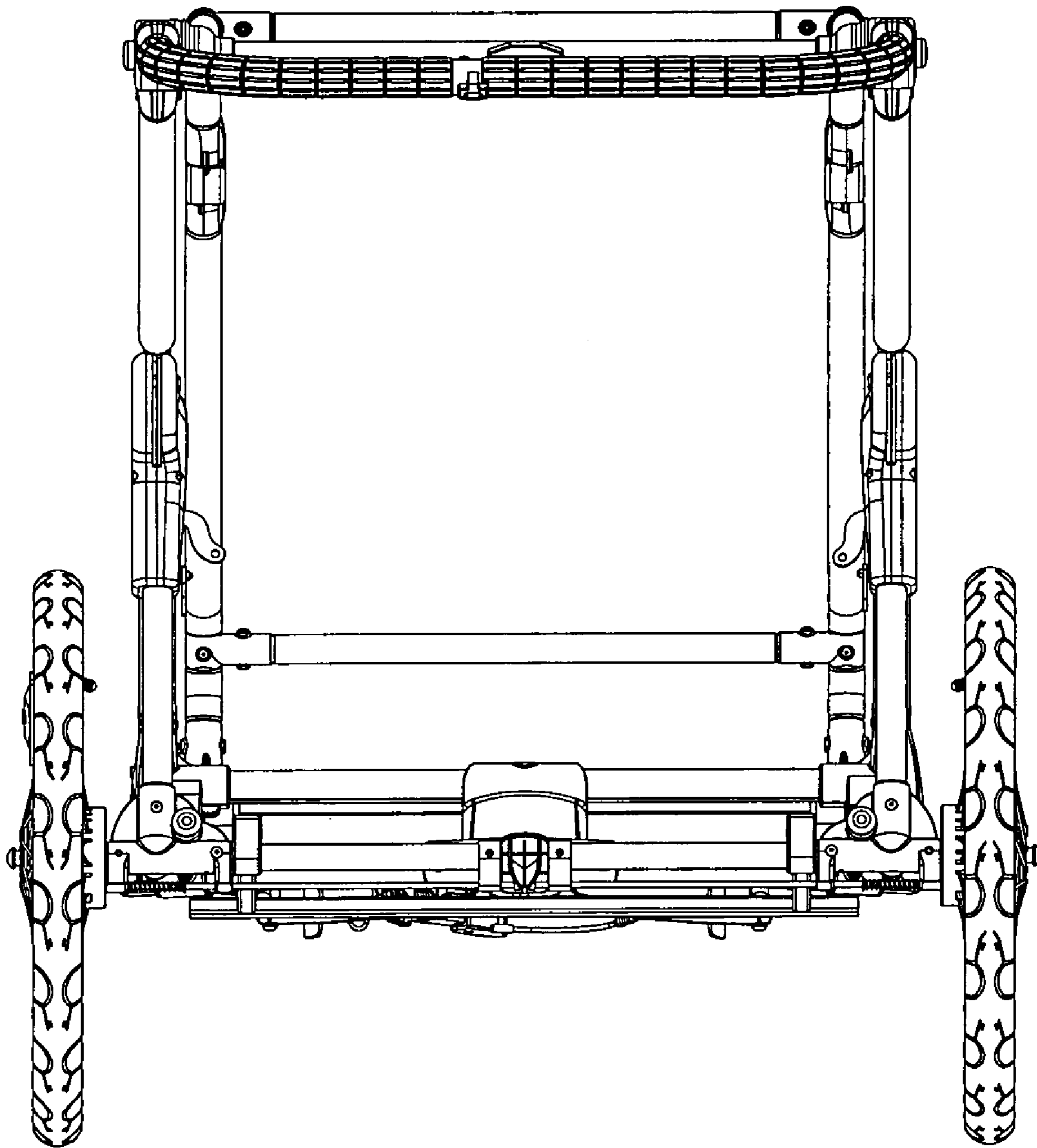


FIG. 3

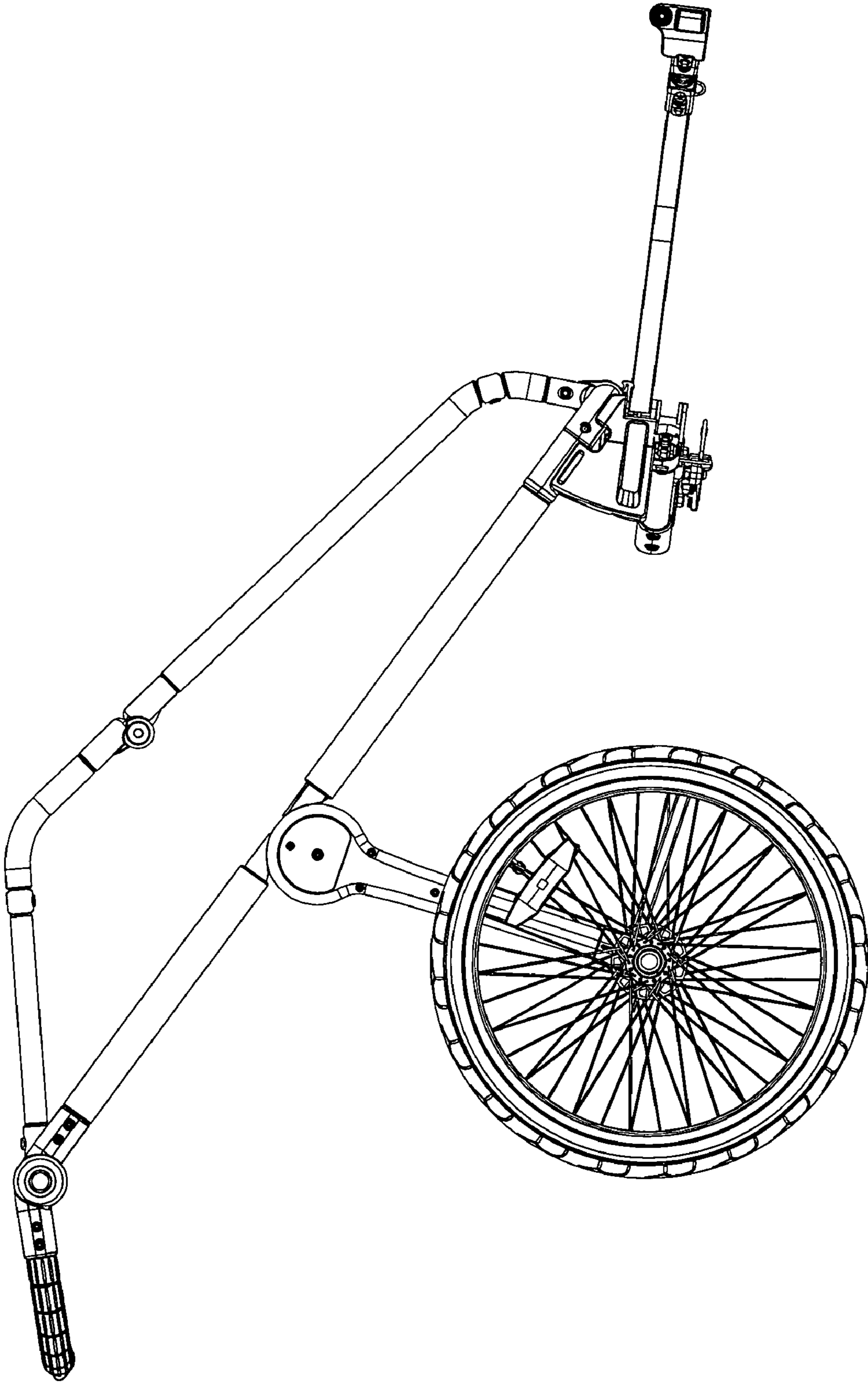


FIG. 4

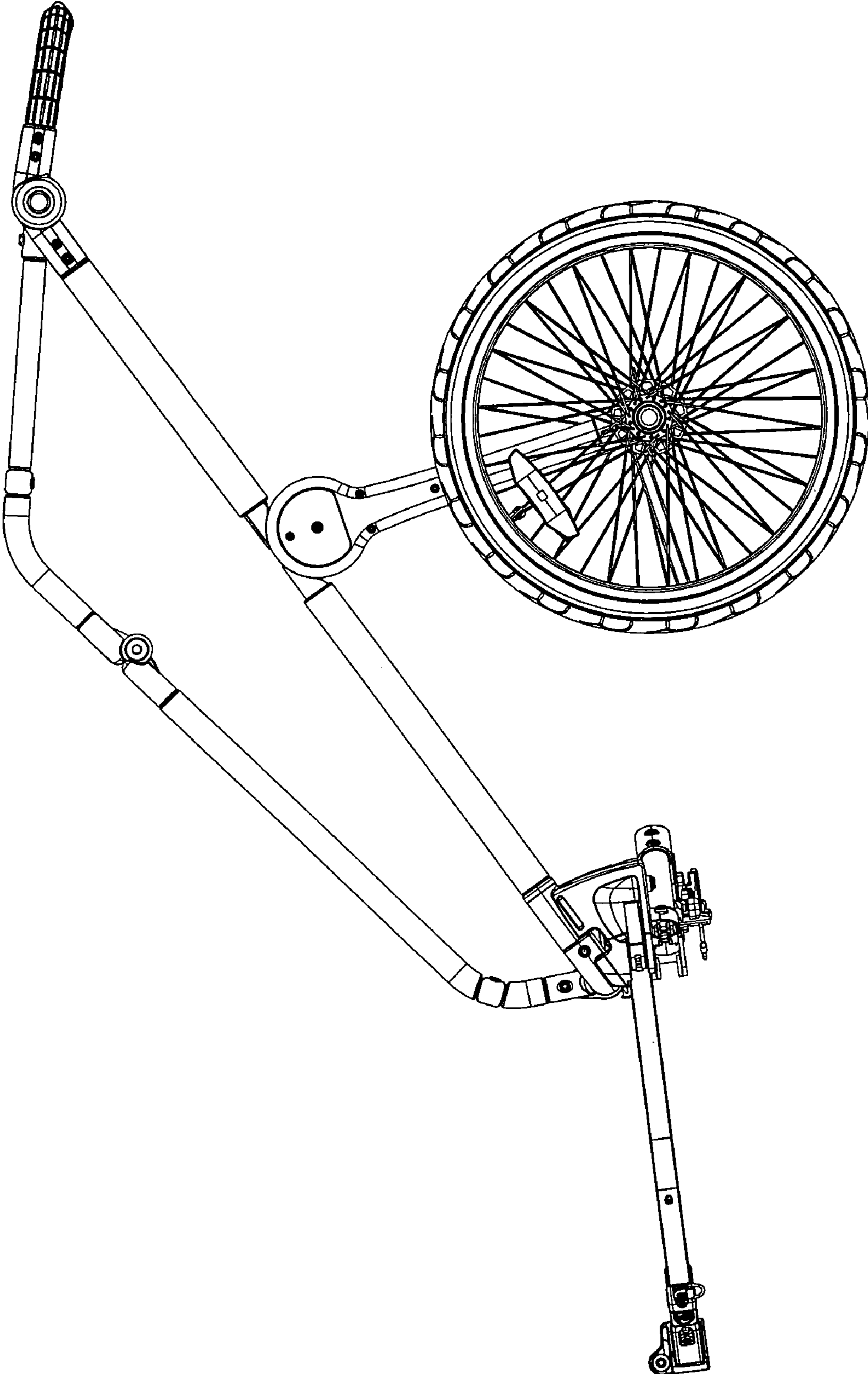


FIG. 5

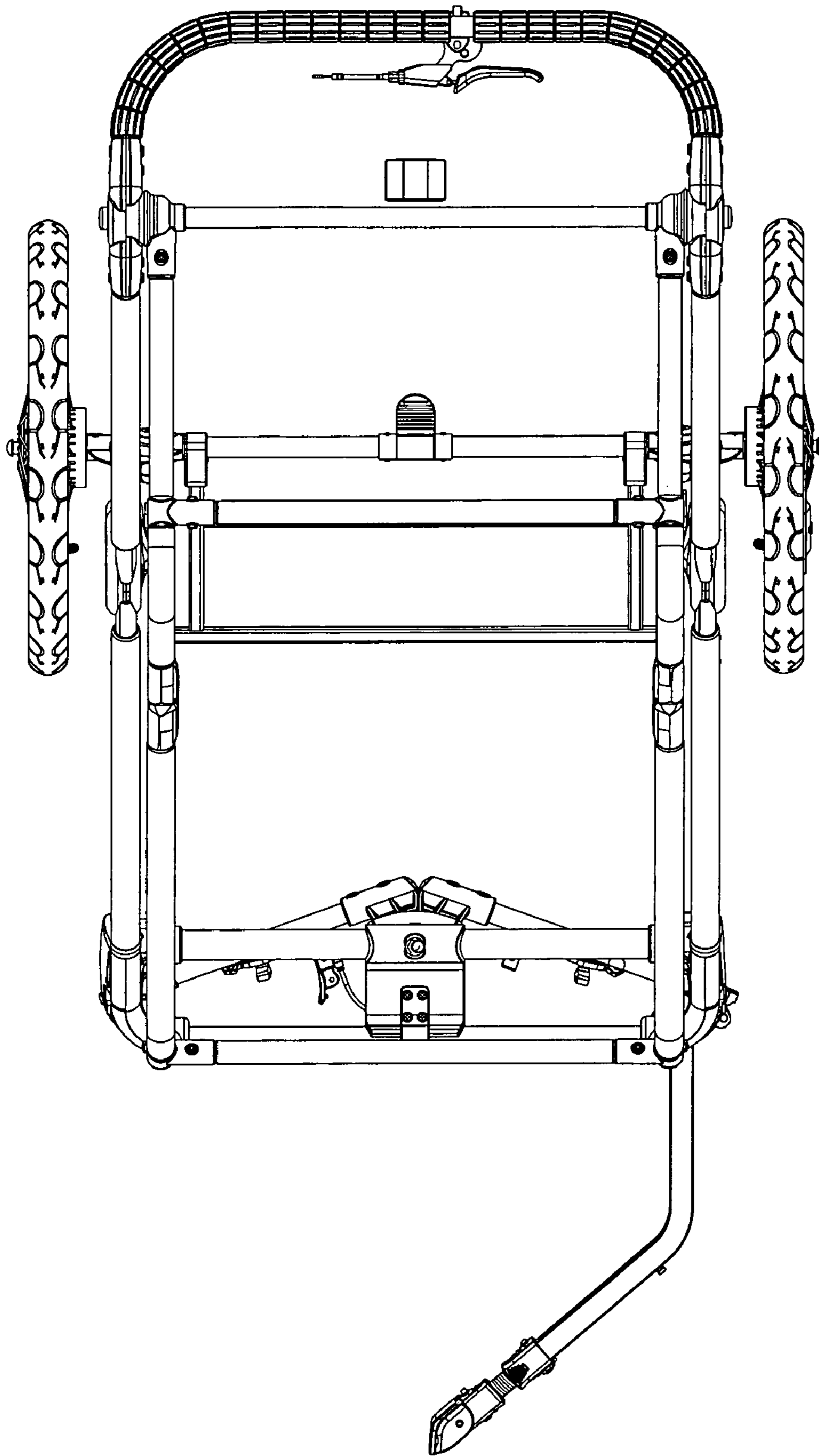


FIG. 6

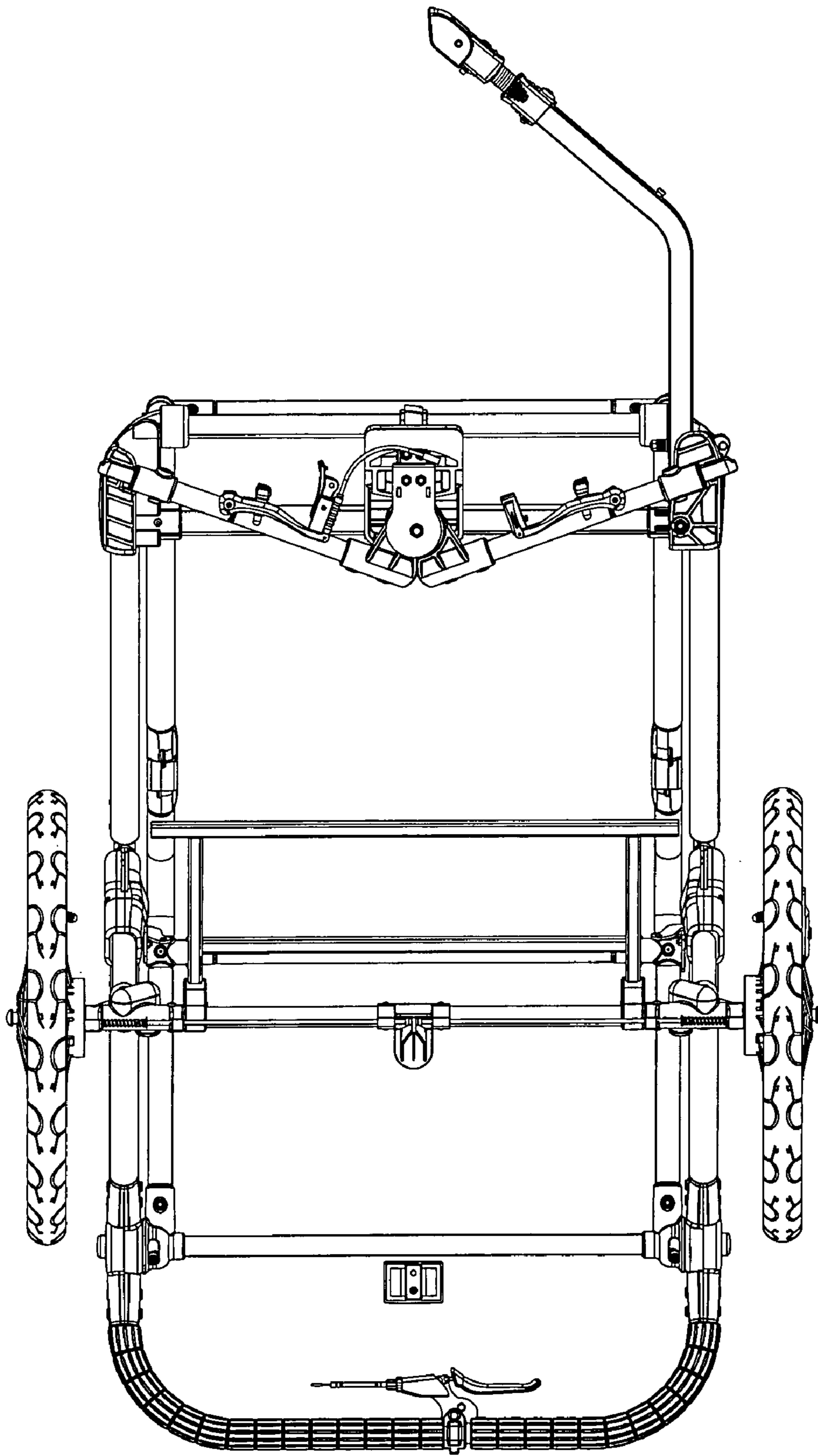


FIG. 7