



US00D586258S

(12) **United States Design Patent**
Guney et al.

(10) **Patent No.:** **US D586,258 S**
(45) **Date of Patent:** **** Feb. 10, 2009**

(54) **CLIP FOR RESPIRATORY MASK**
(75) Inventors: **Memduh Guney**, Killara (AU); **Amal Shirley Amarasinghe**, Beecroft (AU); **Perry David Lithgow**, Glenwood (AU); **Milind Chandrakant Raje**, Wentworthville (AU); **Aaron Samuel Davidson**, Newport (AU); **Michael Andrew Jones**, Dundas (AU)

D471,131 S * 3/2003 Kawamura D11/216
D471,486 S * 3/2003 Uehara et al. D11/216
D490,343 S * 5/2004 Guney et al. D11/216
6,823,869 B2 11/2004 Raje et al.
D500,706 S * 1/2005 Guney et al. D11/216
D562,729 S * 2/2008 Hitchcock et al. D11/218

(73) Assignee: **ResMed Limited**, Bella Vista (AU)

FOREIGN PATENT DOCUMENTS
AU 200175559 3/2002
EP 471264 2/1992
GB 1146568 3/1969
WO 1985/001192 3/1985

(**) Term: **14 Years**

(21) Appl. No.: **29/277,145**

(22) Filed: **Feb. 15, 2007**

Related U.S. Application Data

(63) Continuation of application No. 10/585,514, filed as application No. PCT/AU2004/001834 on Dec. 24, 2004.

OTHER PUBLICATIONS
U.S. Appl. No. 10/655,603, filed Sep. 2003, Lithgow et al.
U.S. Appl. No. 60/424,698, filed Nov. 2002, Lithgow et al.
U.S. Appl. No. 60/467,571, filed May 2003, Lithgow et al.
U.S. Appl. No. 60/317,486, filed Sep. 2001, Raje et al.
U.S. Appl. No. 60/342,854, filed Dec. 2001, Raje et al.
U.S. Appl. No. 10/585,514, Guney et al., filed Jul. 10, 2006.
International Search Report for PCT/AU2004/001834 dated Feb. 23, 2005.

* cited by examiner

(51) **LOC (9) Cl.** **02-07**

(52) **U.S. Cl.** **D11/216; D24/110.1**

(58) **Field of Classification Search** D24/110.1,
D24/129; D11/216, 218; 128/207.11, 206.27;
24/625, 424, 415, 416, 417, 418, 419, 420;
2/421, 422, 424

See application file for complete search history.

Primary Examiner—Ian Simmons
Assistant Examiner—Christopher Lee
(74) *Attorney, Agent, or Firm*—Nixon & Vanderhye P.C.

(57) **CLAIM**

The ornamental design for a clip for a respiratory mask, as shown.

(56) **References Cited**

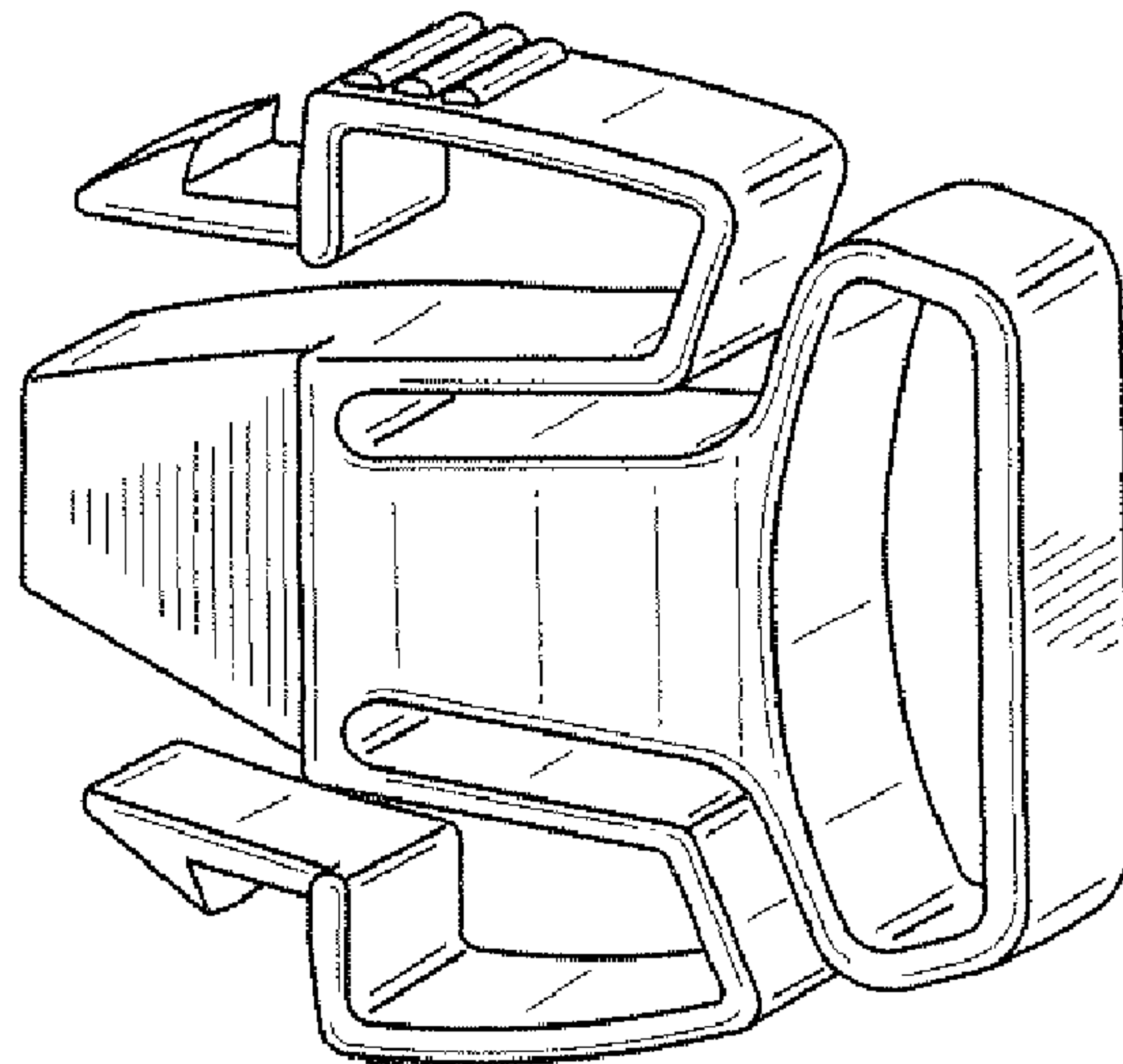
U.S. PATENT DOCUMENTS

4,150,464 A 4/1979 Tracy
4,712,280 A * 12/1987 Fildan 24/625
4,793,032 A 12/1988 Crowle
5,291,880 A * 3/1994 Almovist et al. 128/201.22
5,546,642 A * 8/1996 Anscher 24/625
5,987,652 A * 11/1999 Fowler 2/424
6,374,826 B1 4/2002 Gunaratnam et al.

DESCRIPTION

FIG. 1 is a front view according to our design;
FIG. 2 is a rear view thereof,
FIG. 3 is a side view thereof, and,
FIG. 4 is a perspective front view thereof.

1 Claim, 1 Drawing Sheet



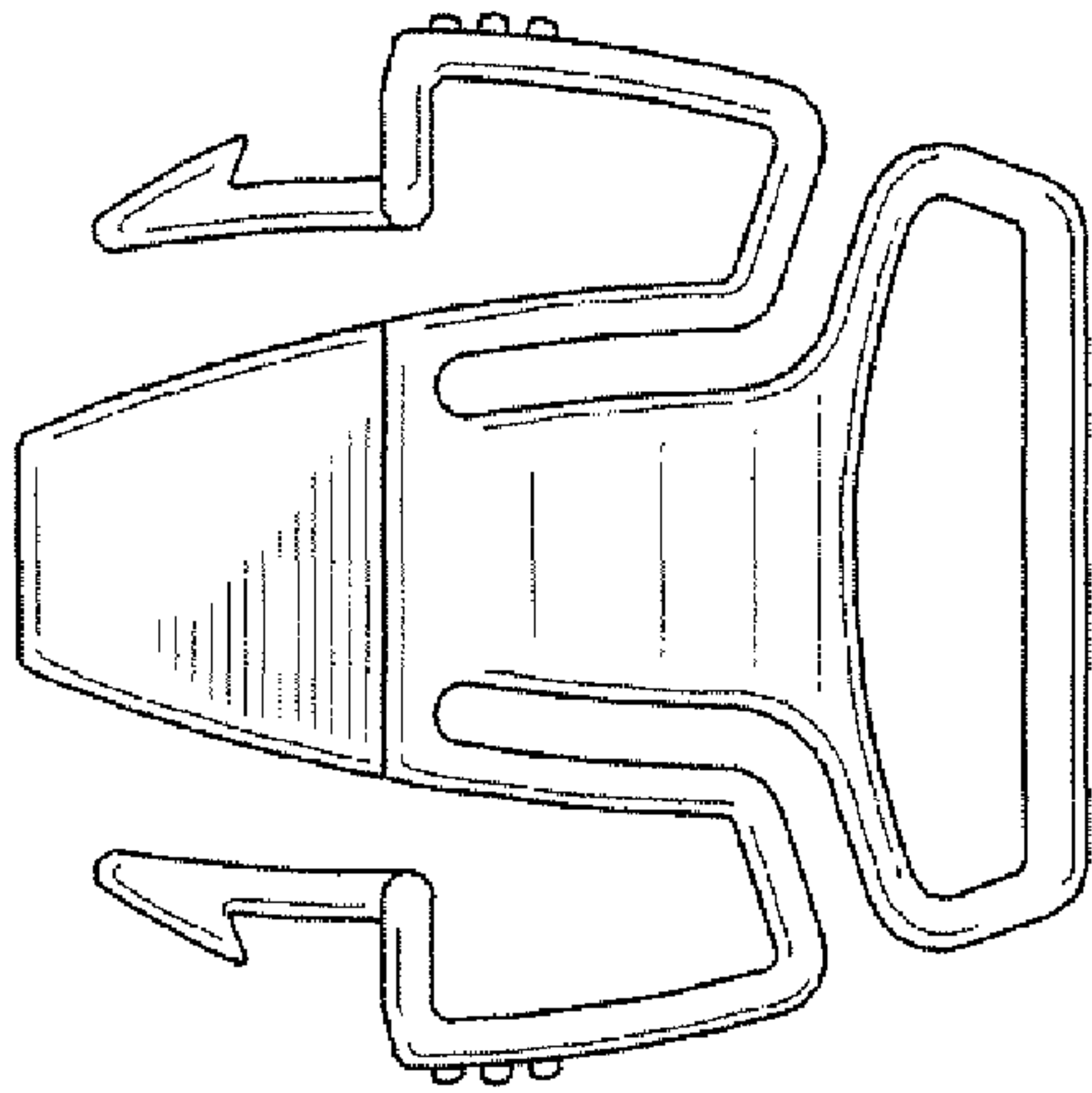


FIG. 1

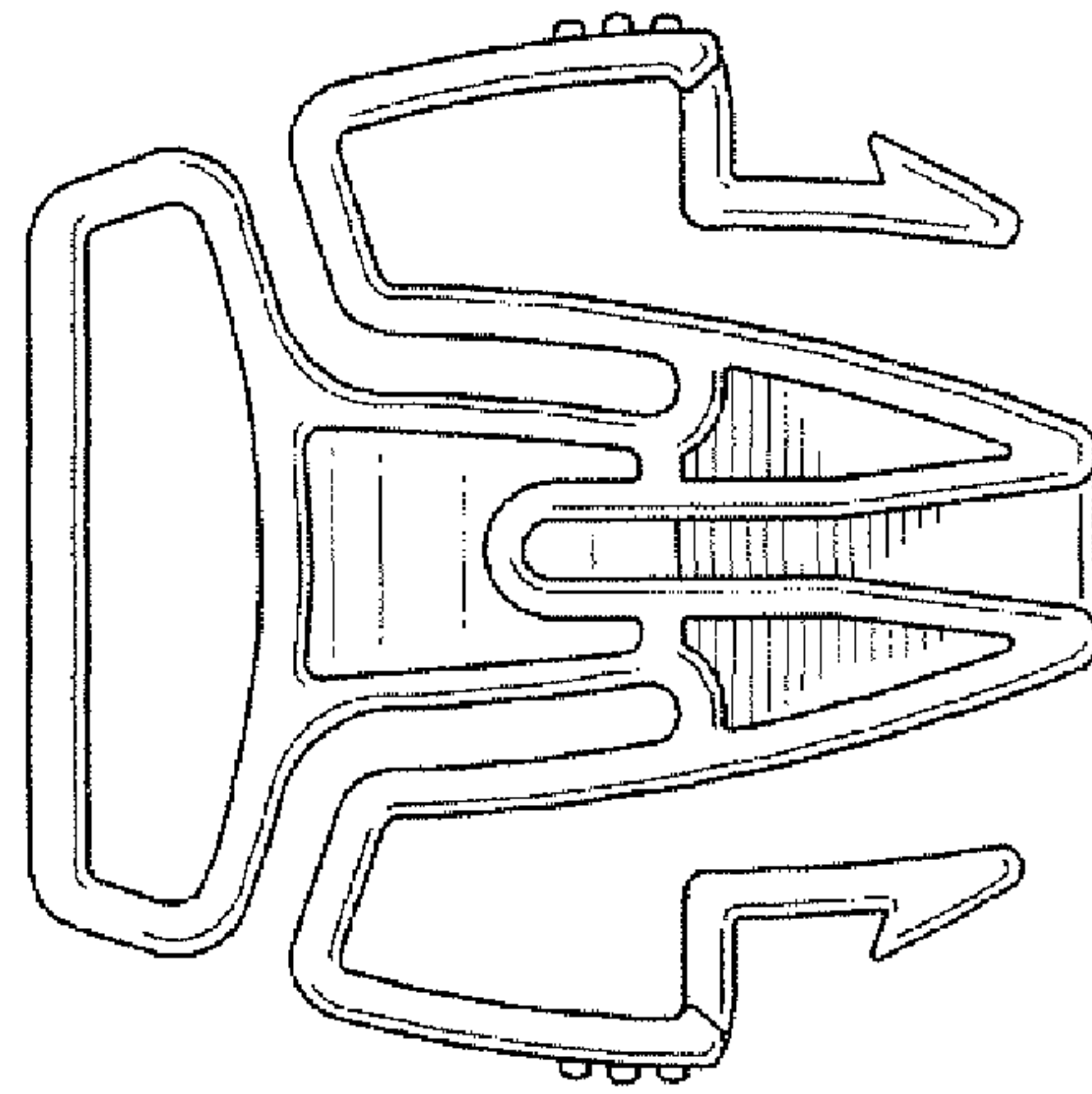


FIG. 2

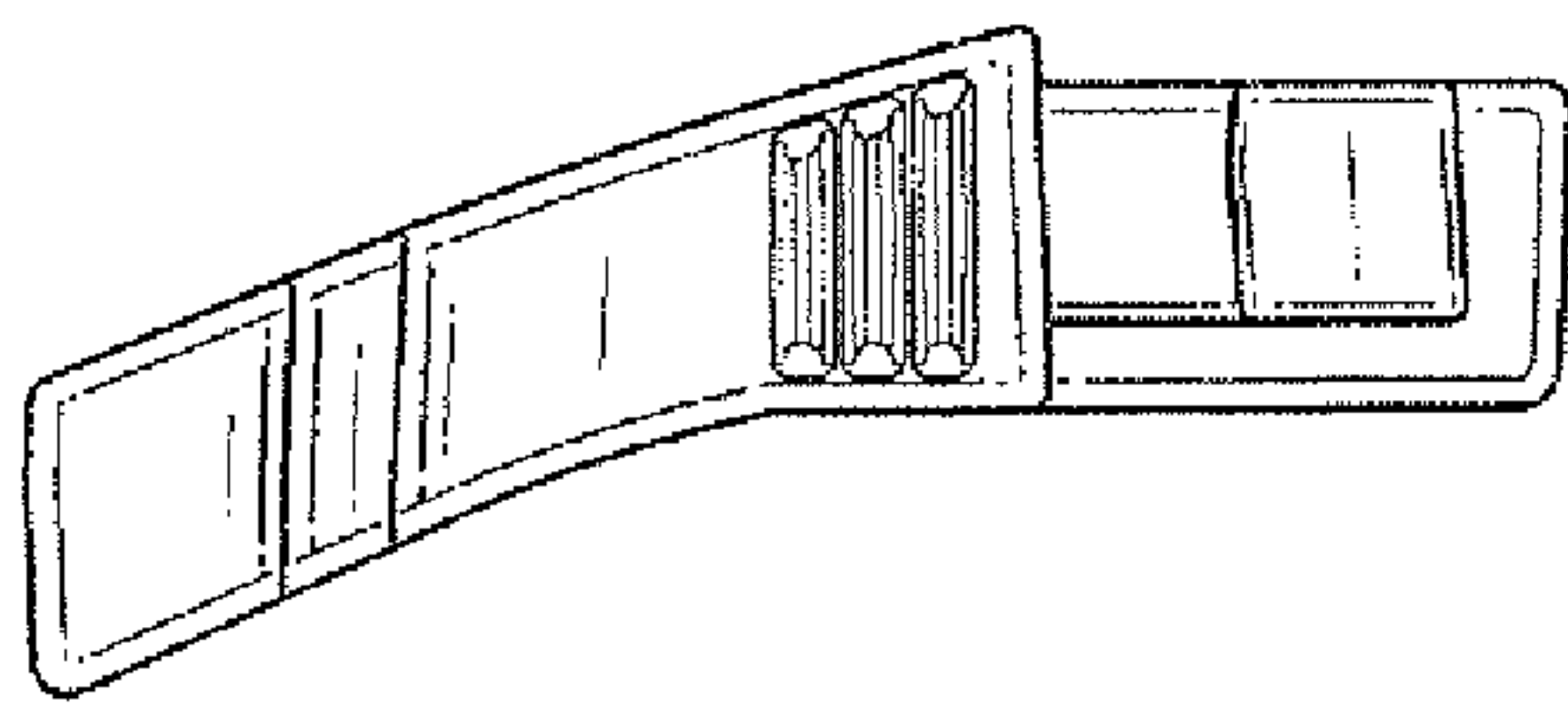


FIG. 3

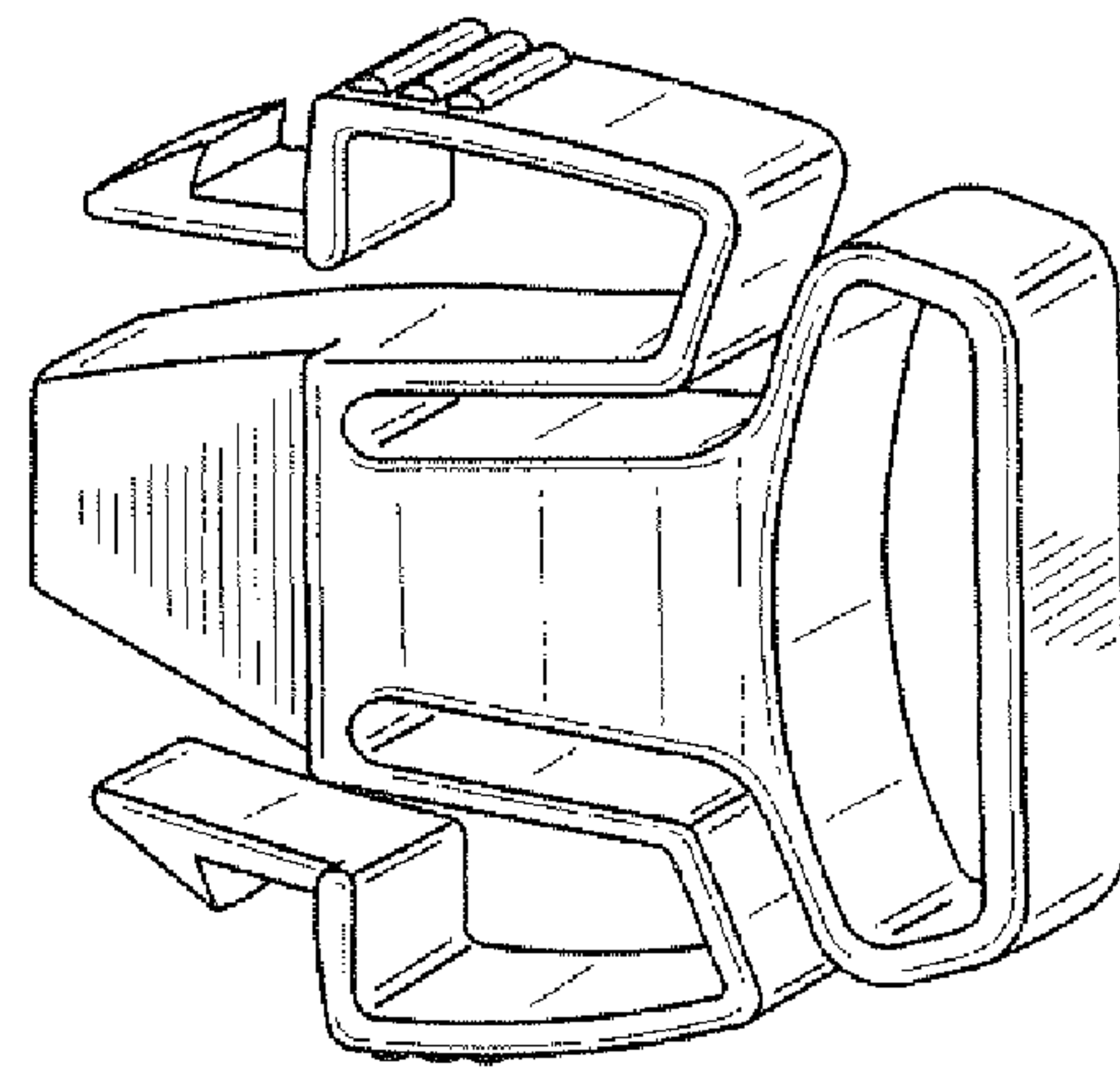


FIG. 4