



US00D586249S

(12) **United States Design Patent**
Elsemore

(10) **Patent No.:** **US D586,249 S**

(45) **Date of Patent:** **** Feb. 10, 2009**

(54) **SELF-CONTAINED SURVEILLANCE APPARATUS**

(76) Inventor: **Perry Elsemore**, 10599 W. Old Highway
10 Rd., Saxon, WI (US) 54559

(**) Term: **14 Years**

(21) Appl. No.: **29/275,293**

(22) Filed: **Dec. 20, 2006**

(51) **LOC (9) Cl.** **10-05**

(52) **U.S. Cl.** **D10/104**

(58) **Field of Classification Search** D10/104,
D10/106; D13/152, 162, 162.1; D14/135,
D14/165; 396/25, 27; 348/156; 367/93

See application file for complete search history.

(56) **References Cited**

U.S. PATENT DOCUMENTS

4,347,590	A *	8/1982	Heger et al.	367/93
D314,759	S *	2/1991	Collins et al.	D13/184
5,133,605	A	7/1992	Nakamura		
5,940,139	A	8/1999	Smoot		
D417,667	S *	12/1999	Loubert et al.	D14/155
6,449,431	B1 *	9/2002	Cuddeback et al.	396/27
6,642,955	B1	11/2003	Midgley et al.		
2004/0012715	A1 *	1/2004	Gin	348/375
2004/0165873	A1 *	8/2004	Cuddeback et al.	396/25
2005/0212912	A1	9/2005	Huster		

2008/0036862 A1* 2/2008 Lang et al. 348/156

OTHER PUBLICATIONS

Pixcontroller; "Automated Camera Control Systems"; four pages printed from Internet on Mar. 27, 2007; www.pixcontroller.com.

* cited by examiner

Primary Examiner—Robert M Spear

Assistant Examiner—George D Kirschbaum

(74) *Attorney, Agent, or Firm*—Weiner & Burt, P.C.; Irving M. Weiner; Pamela S. Burt

(57) **CLAIM**

The ornamental design for a "self-contained surveillance apparatus," as shown and described.

DESCRIPTION

FIG. 1 is a rear perspective view of a self-contained surveillance apparatus showing my new design;

FIG. 2 is a right side elevational view thereof;

FIG. 3 is a front elevational view thereof;

FIG. 4 is a left side view thereof;

FIG. 5 is a rear elevational view thereof;

FIG. 6 is a top plan view thereof; and,

FIG. 7 is a bottom view thereof.

The broken lines shown in FIG. 3 depict unclaimed environmental subject matter.

1 Claim, 2 Drawing Sheets

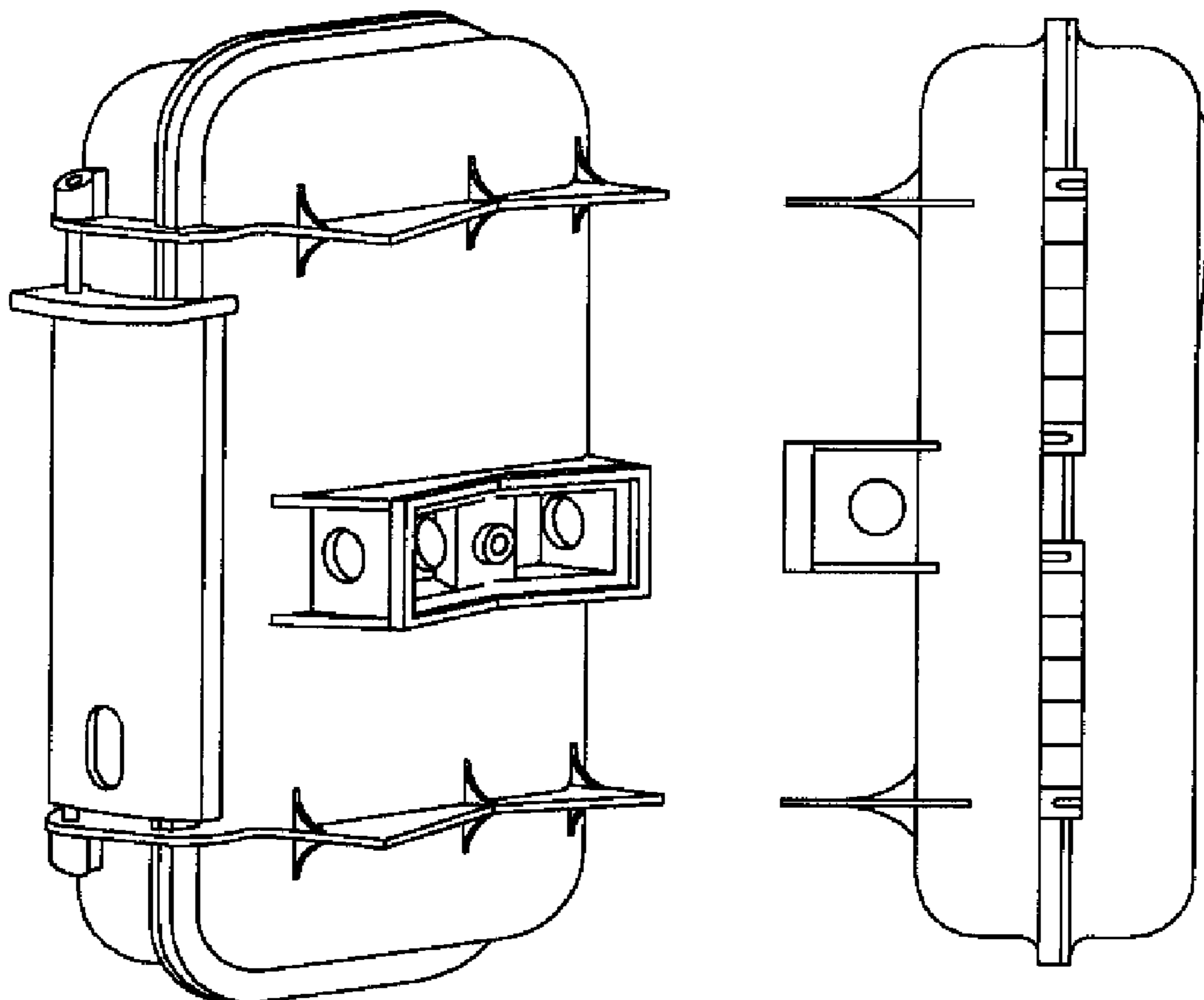


FIG 1

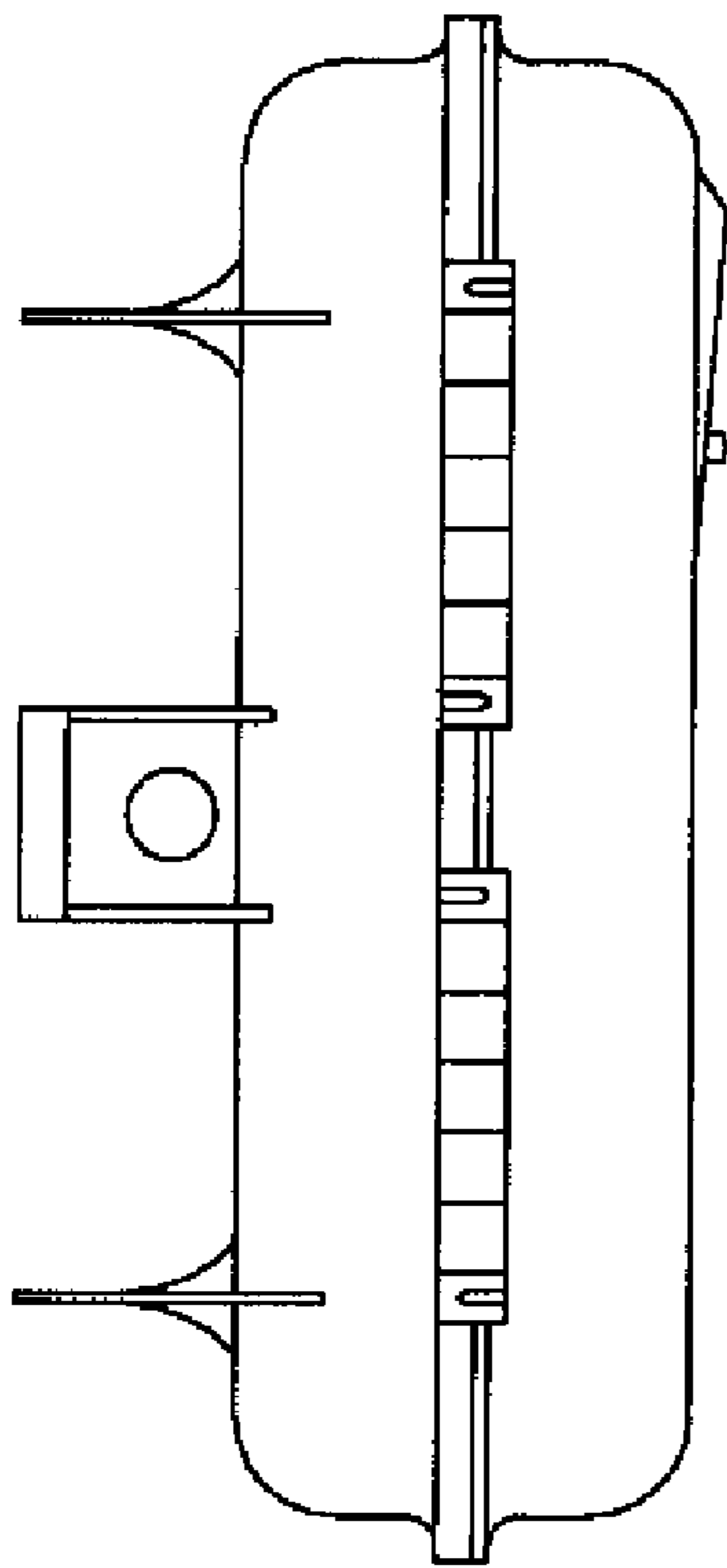
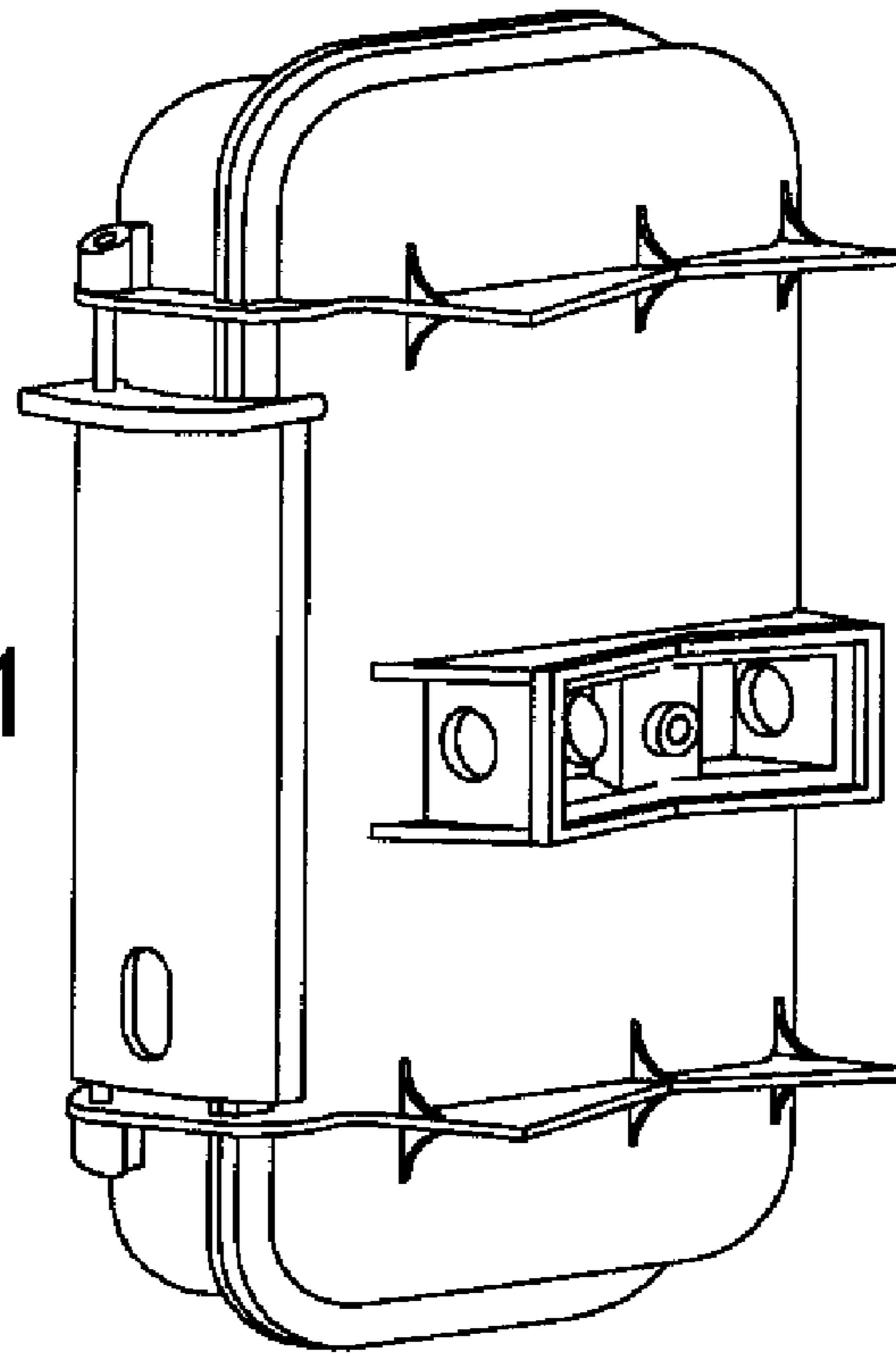


FIG 2

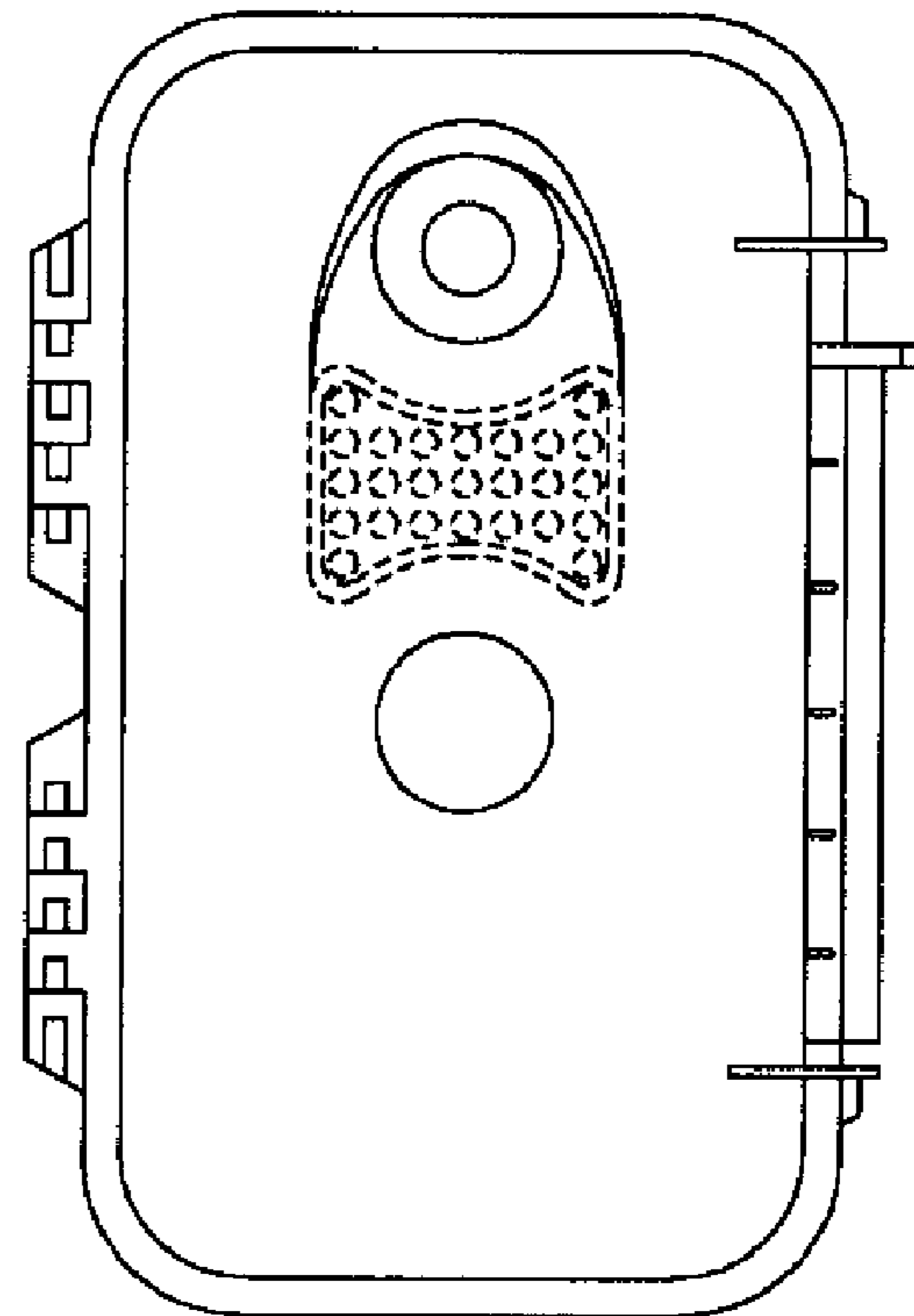


FIG 3

FIG 6

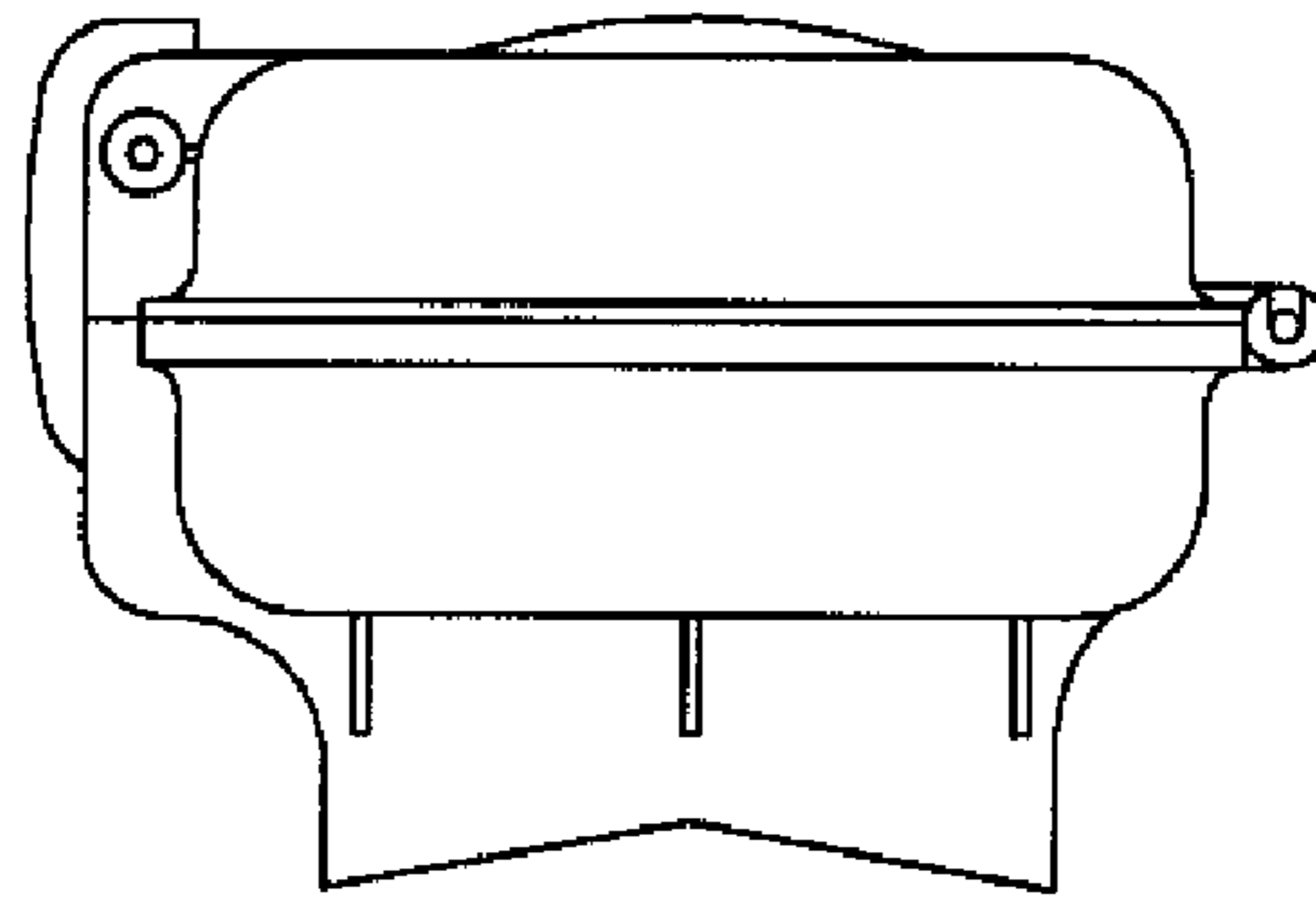


FIG 4

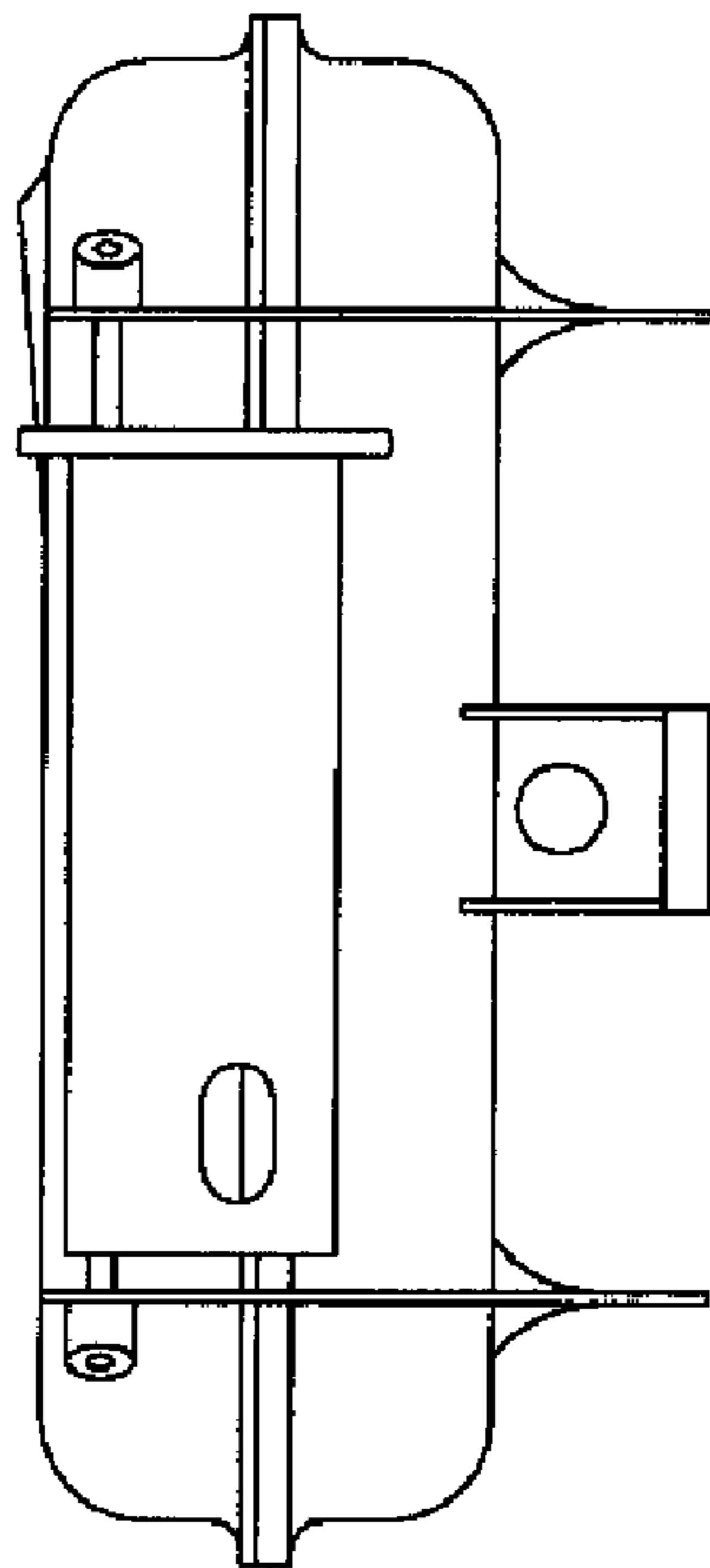


FIG 5

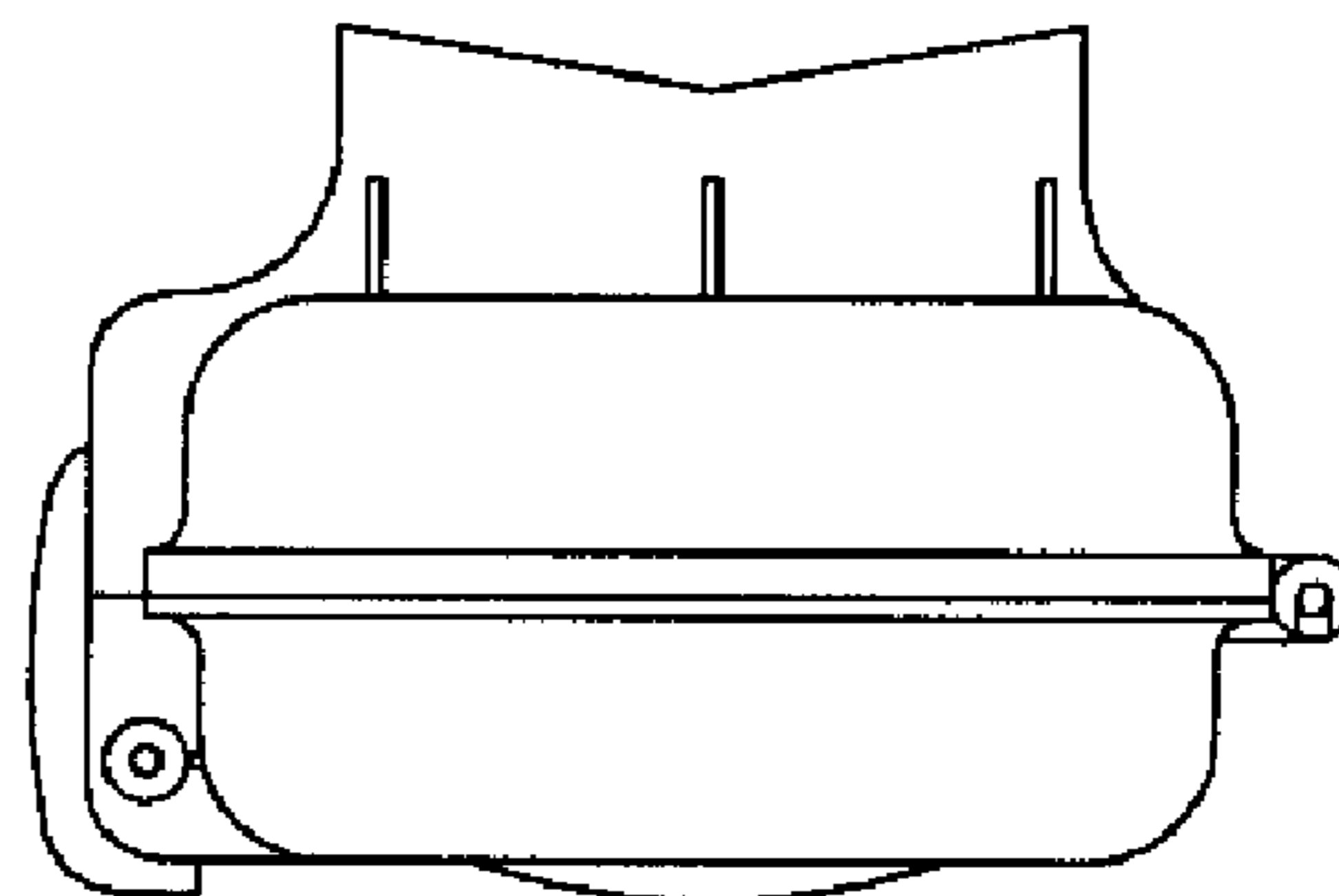
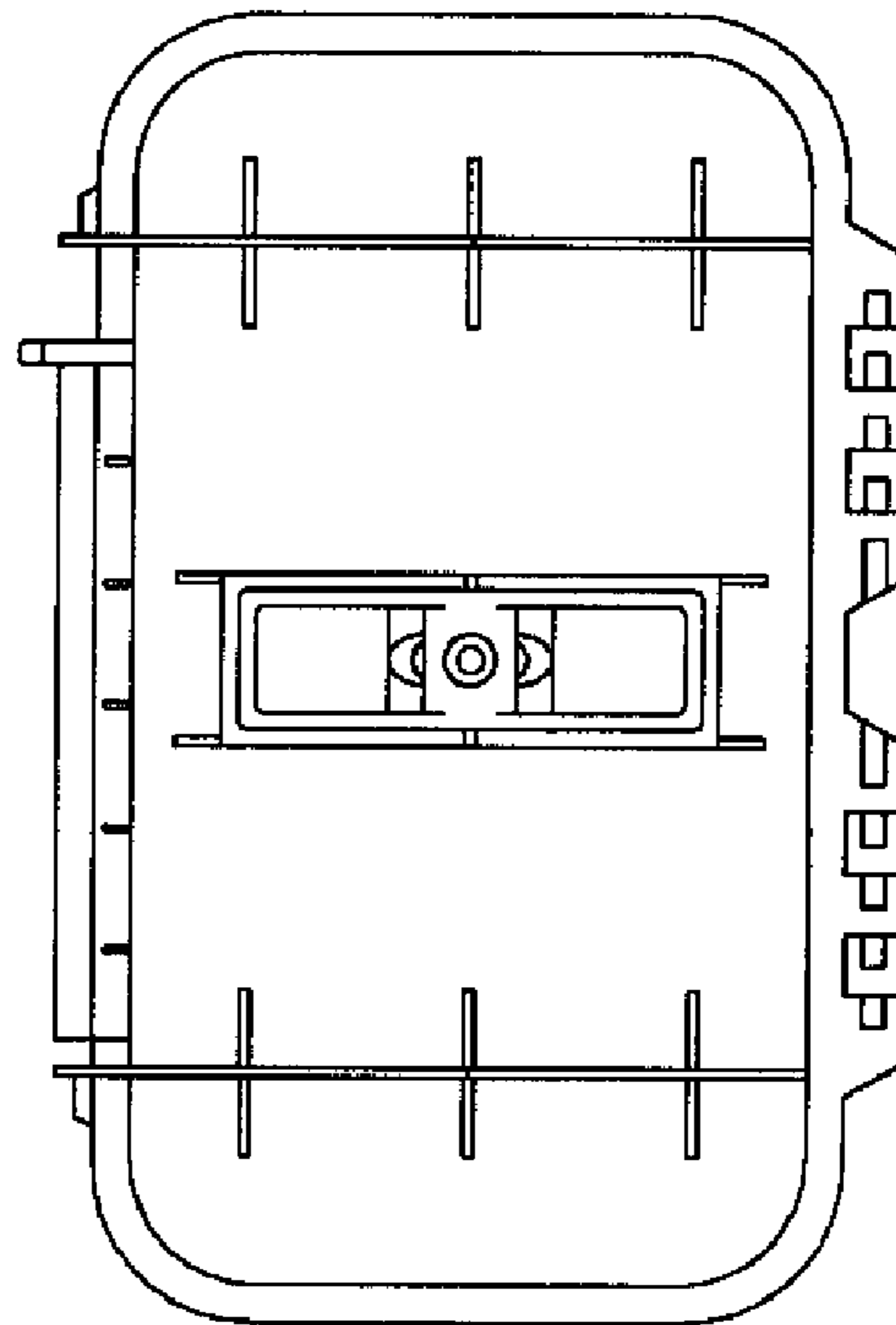


FIG 7