



US00D586248S

(12) **United States Design Patent**
Baker

(10) **Patent No.:** **US D586,248 S**

(45) **Date of Patent:** **** Feb. 10, 2009**

(54) **PEAK FLOW METER**

5,565,630 A * 10/1996 Shene 600/540
7,390,305 B2 * 6/2008 Nuttall 600/538

(75) Inventor: **Jeff Baker**, Orlando, FL (US)

* cited by examiner

(73) Assignee: **Noble Logos**, Cicero, IN (US)

Primary Examiner—Antoine D Davis

(**) Term: **14 Years**

(74) *Attorney, Agent, or Firm*—Timothy H. Van Dyke;
Beusse Wolter Sanks Mora & Maire

(21) Appl. No.: **29/306,048**

(57) **CLAIM**

(22) Filed: **Apr. 1, 2008**

The ornamental design for a peak flow meter, as shown and described.

(51) **LOC (9) Cl.** **10-04**

(52) **U.S. Cl.** **D10/96**

(58) **Field of Classification Search** D10/96;
600/529, 538

DESCRIPTION

See application file for complete search history.

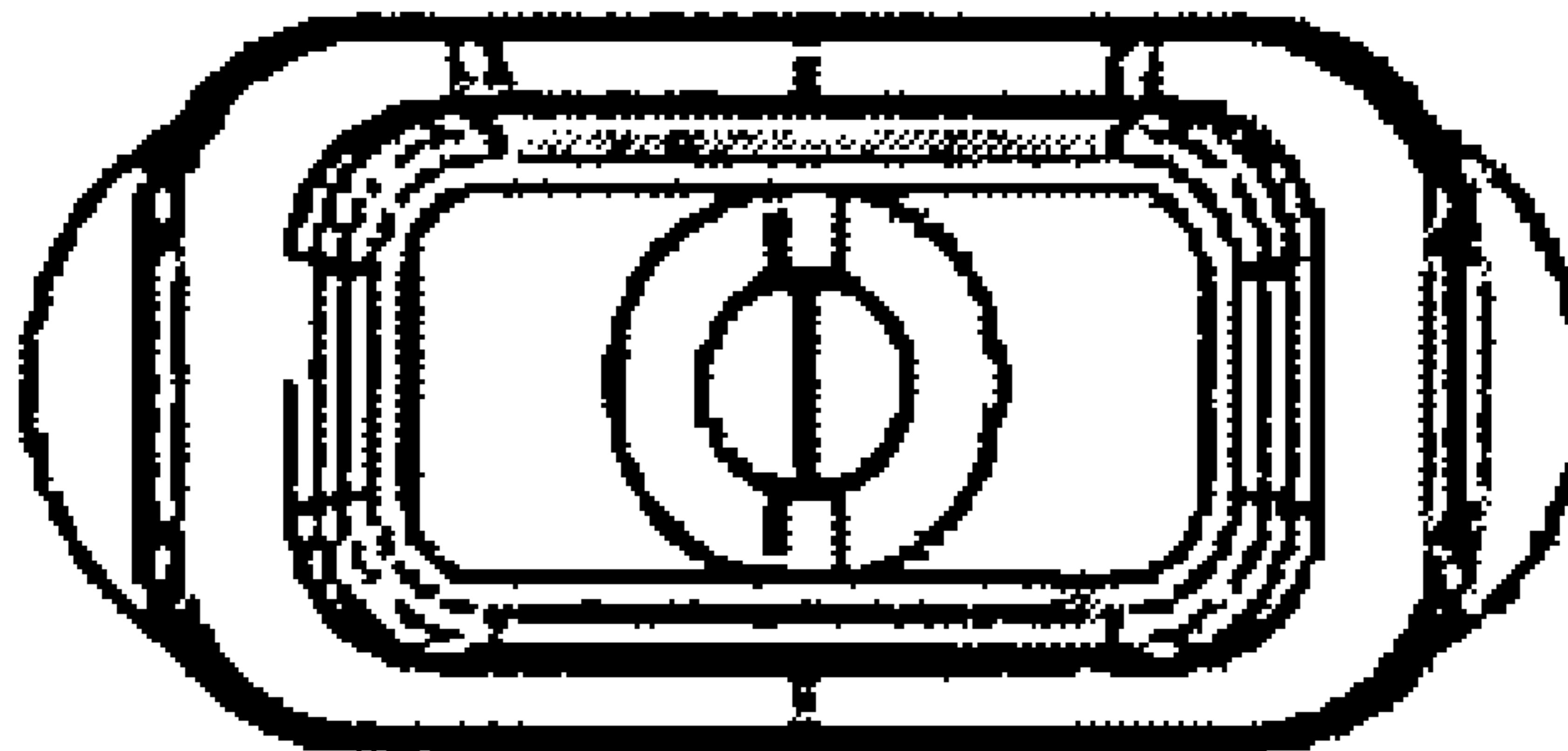
FIG. 1 is top view of the peak flow meter;
FIG. 2 is a front elevational view of the peak flow meter;
FIG. 3 is a side elevational view of the peak flow meter, the opposing side view is a mirror image of that shown in FIG. 3;
FIG. 4 is a back, perspective view of the peak flow meter; and,
FIG. 5 is a front, perspective view of the peak flow meter.

(56) **References Cited**

U.S. PATENT DOCUMENTS

D332,063 S * 12/1992 Bellofatto et al. D10/96
5,224,487 A * 7/1993 Bellofatto et al. 600/538
5,540,234 A * 7/1996 Lalui 600/538
5,560,371 A * 10/1996 Carvalho da Silva 600/538

1 Claim, 1 Drawing Sheet



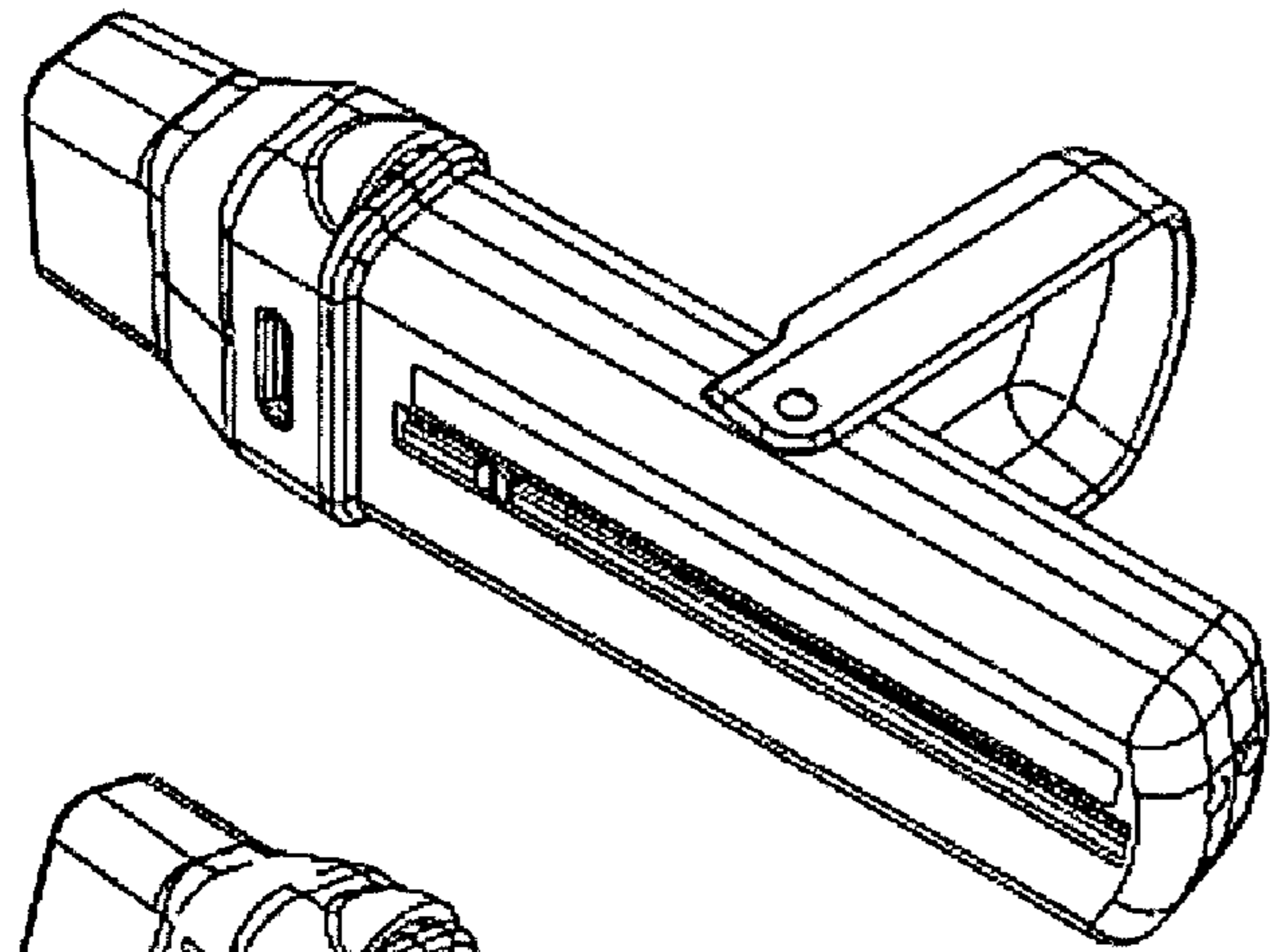


FIG. 5

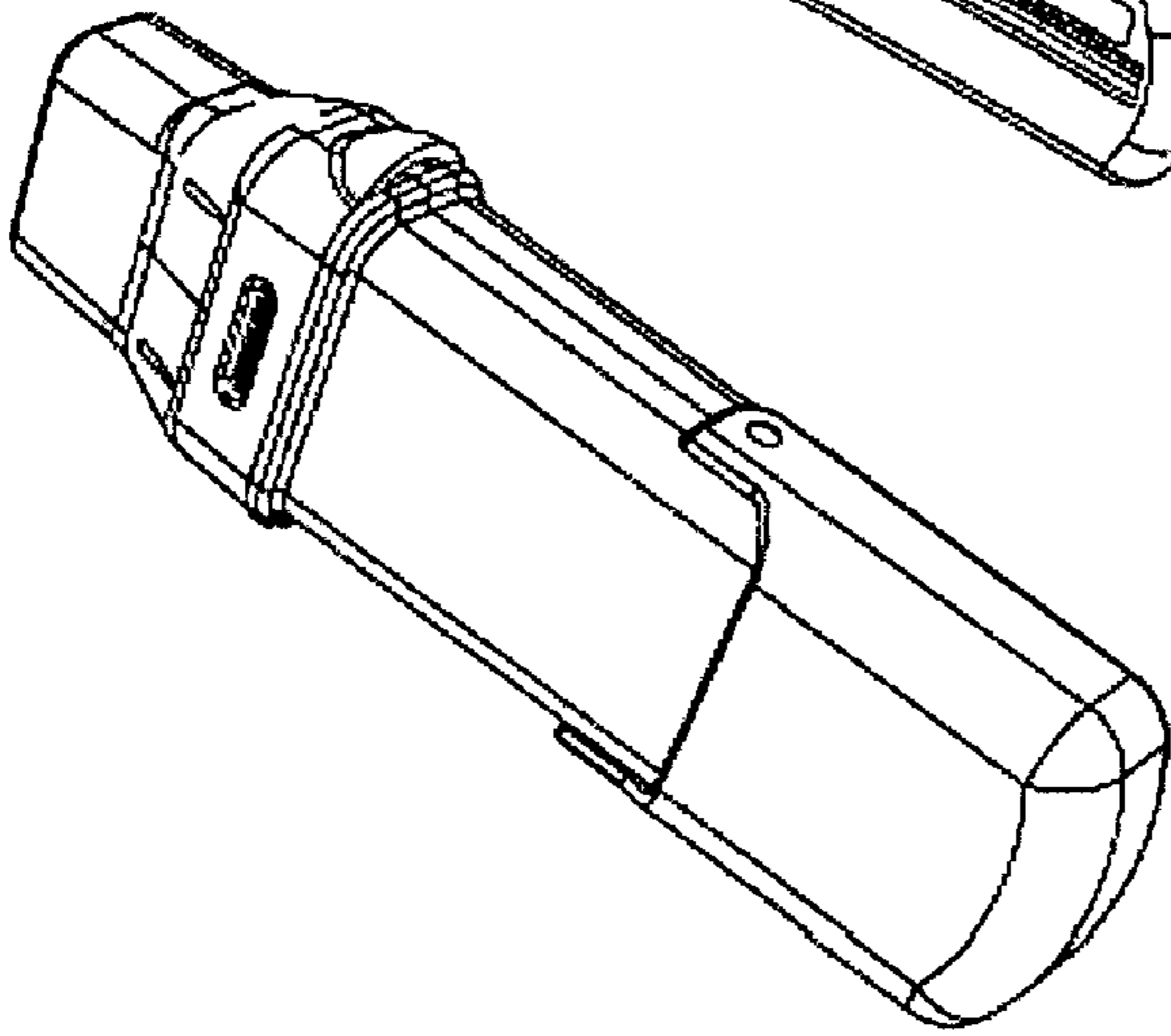


FIG. 4

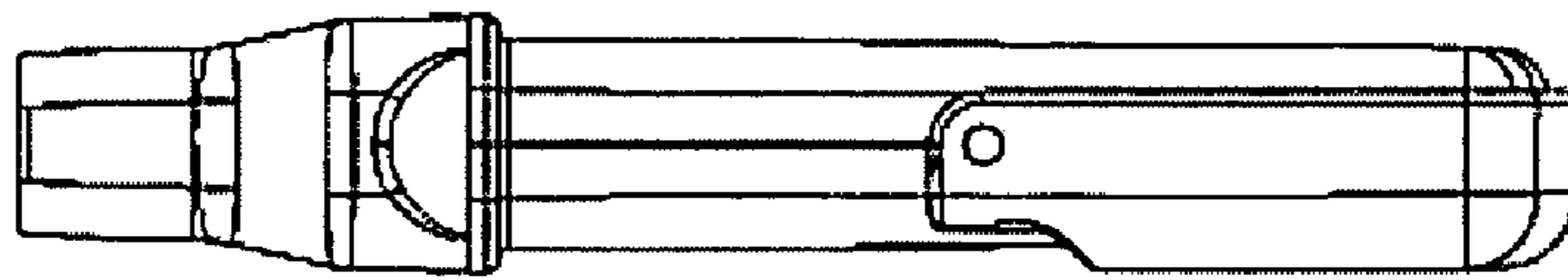


FIG. 3

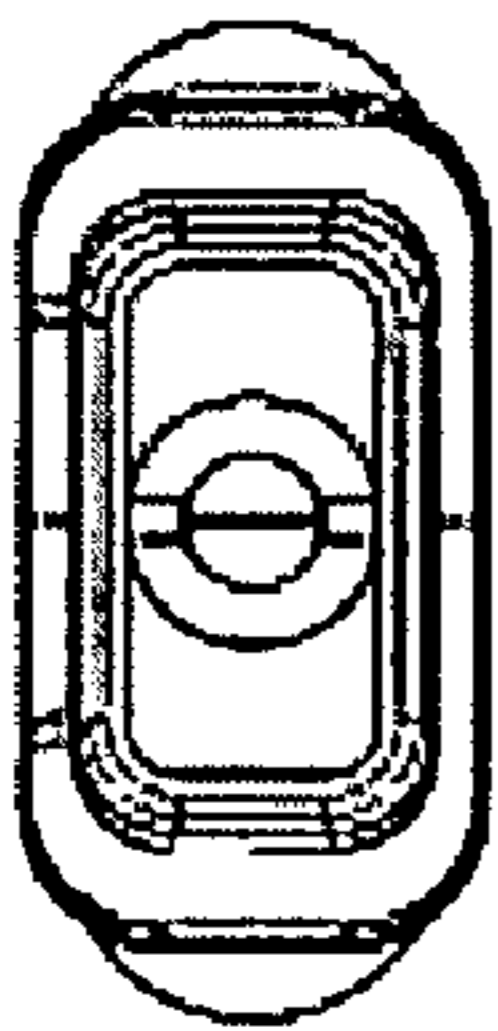


FIG. 1

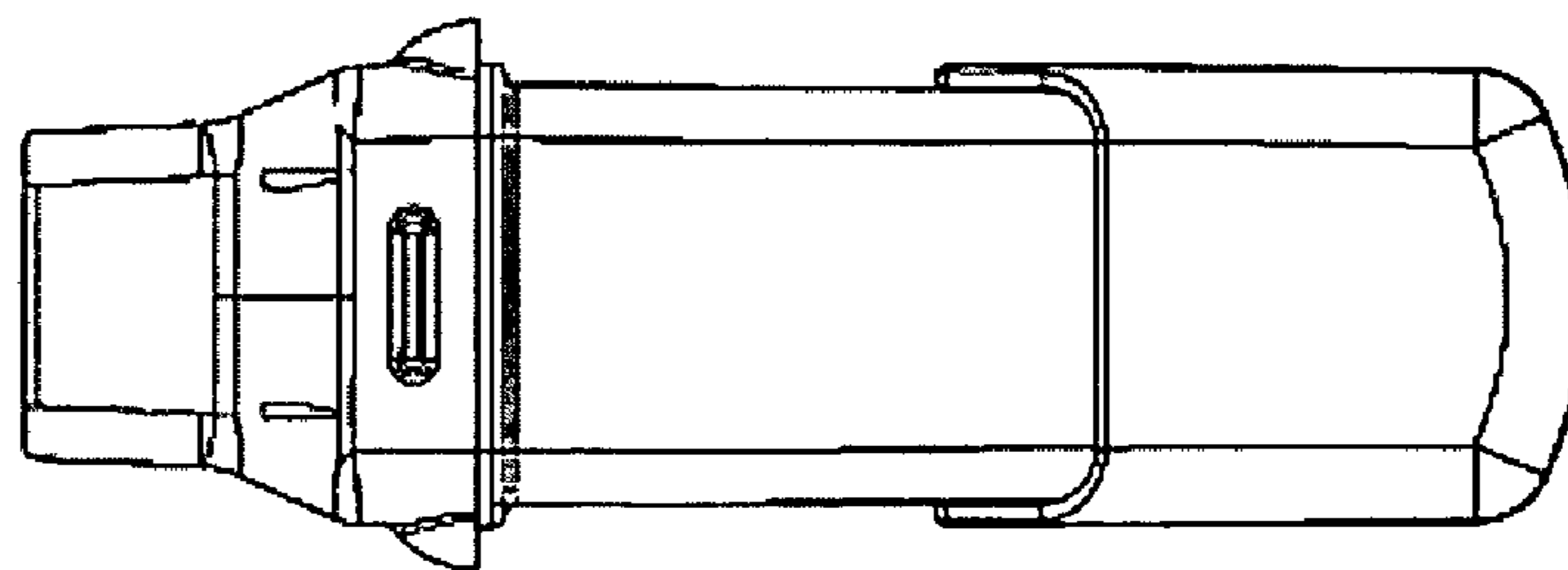


FIG. 2