



US00D586243S

(12) **United States Design Patent**  
**Park**

(10) **Patent No.:** **US D586,243 S**

(45) **Date of Patent:** **\*\* Feb. 10, 2009**

(54) **TEMPERATURE DETECTING APPARATUS FOR OVEN**

7,318,673 B2 \* 1/2008 Biscotti et al. .... 374/141

(75) Inventor: **James Ji-Hong Park**, Seoul (KR)

\* cited by examiner

(73) Assignee: **James Tech Co., Ltd.**, Seoul (KR)

*Primary Examiner*—Antoine D Davis

(74) *Attorney, Agent, or Firm*—Ladas and Parry LLP

(\*\*) Term: **14 Years**

(21) Appl. No.: **29/307,737**

(57) **CLAIM**

(22) Filed: **May 8, 2008**

I claim the ornamental design for temperature detecting apparatus for oven, as shown and described.

(30) **Foreign Application Priority Data**

**DESCRIPTION**

Apr. 10, 2008 (KR) ..... 30-2008-0015321

(51) **LOC (9) Cl.** ..... **10-04**

(52) **U.S. Cl.** ..... **D10/57**

(58) **Field of Classification Search** ..... D10/57;  
219/711; 99/331; 374/E1.011, 100, 141,  
374/33, 110, 137

See application file for complete search history.

FIG. 1 is a front/right-side/top perspective view of a temperature detecting apparatus for oven showing our new design; FIG. 2 is a front-side elevational view thereof; FIG. 3 is a left-side elevational view thereof; FIG. 4 is a right-side elevational view thereof; and, FIG. 5 is a top-side elevational view thereof.

(56) **References Cited**

The lines of the present design in FIGS. 1, 2 and 5 are abbreviated about 10 centimeters.

**U.S. PATENT DOCUMENTS**

D560,126 S \* 1/2008 Frake et al. .... D10/57

**1 Claim, 1 Drawing Sheet**

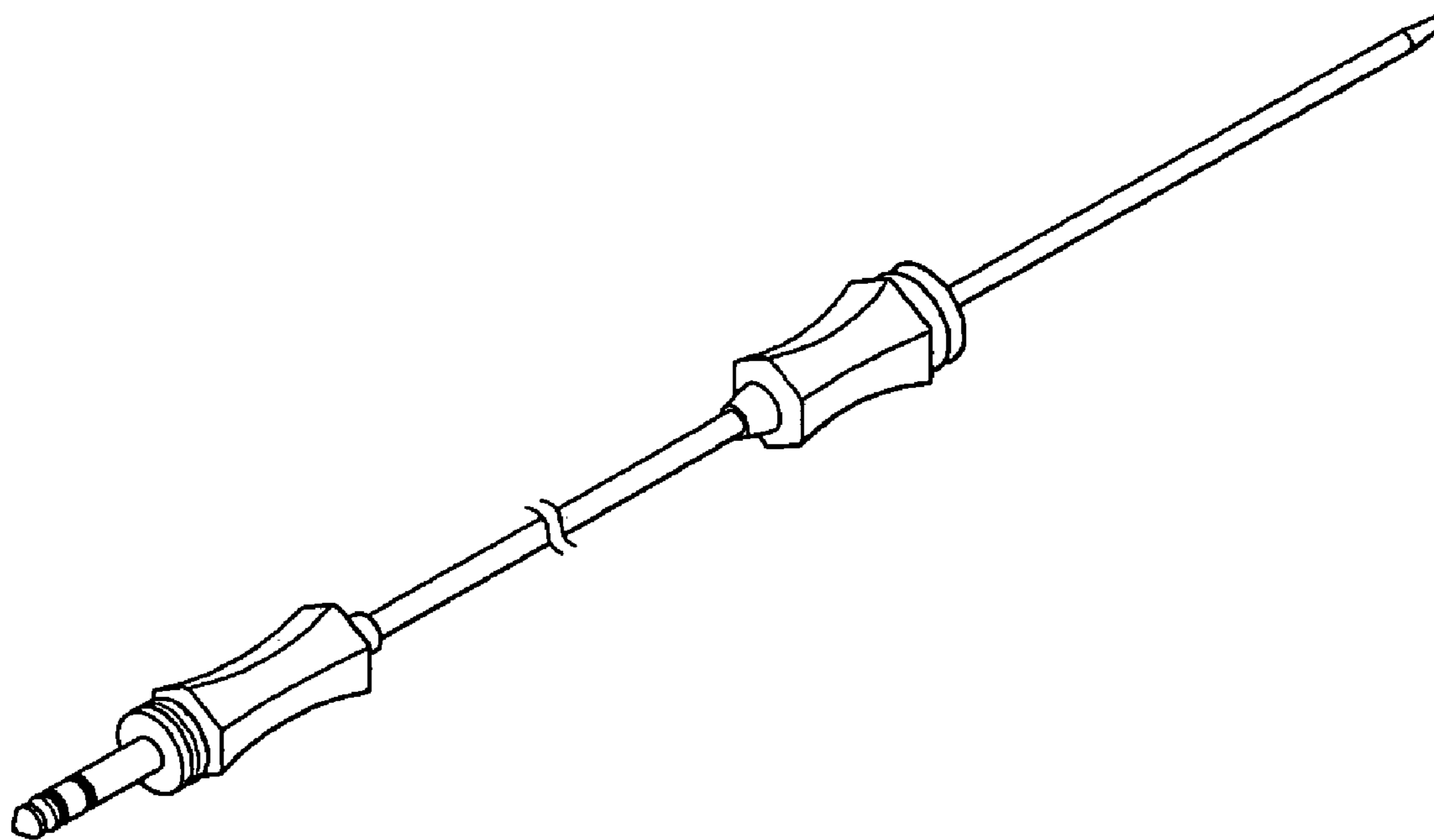


FIG. 1

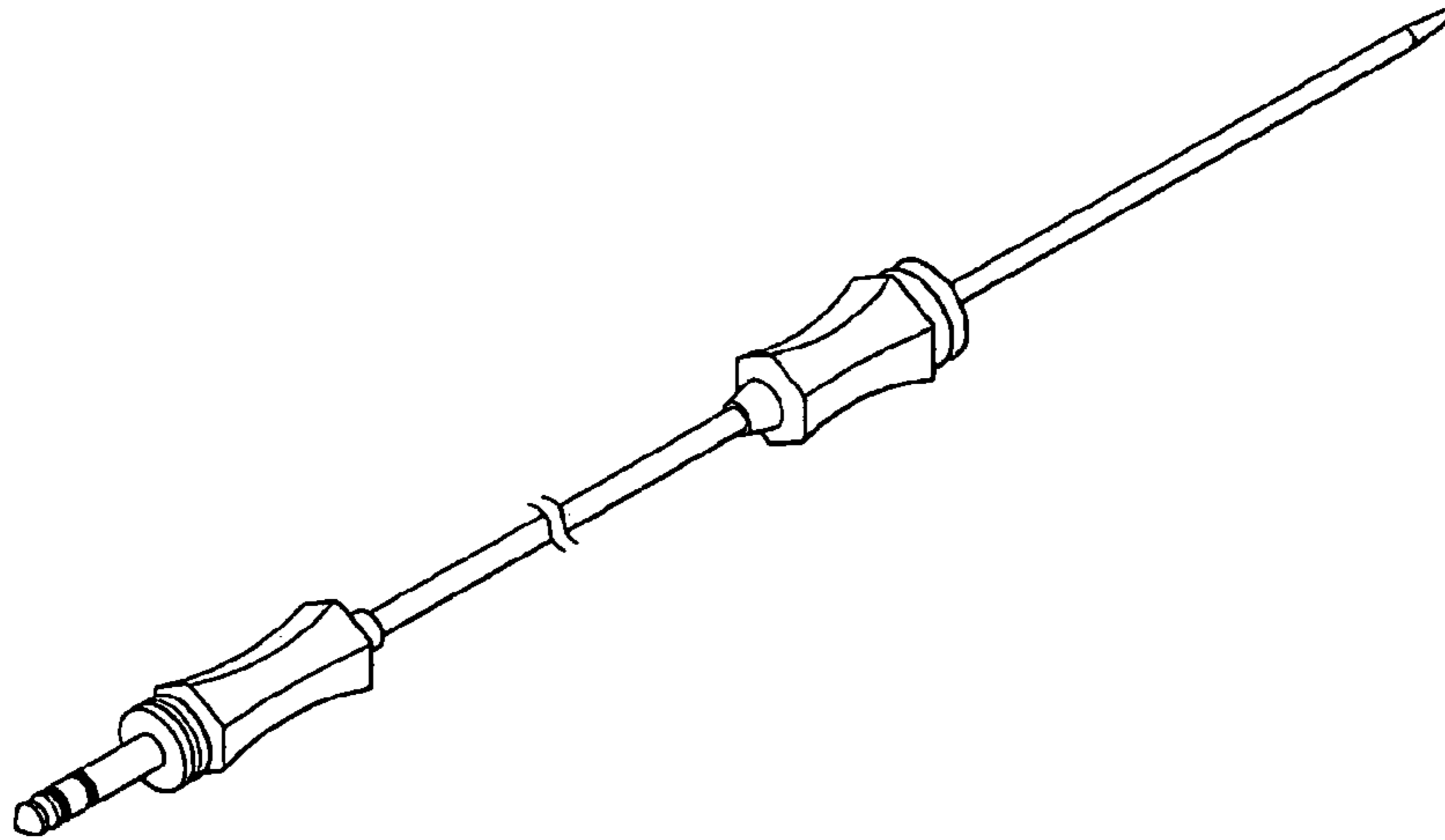


FIG. 2

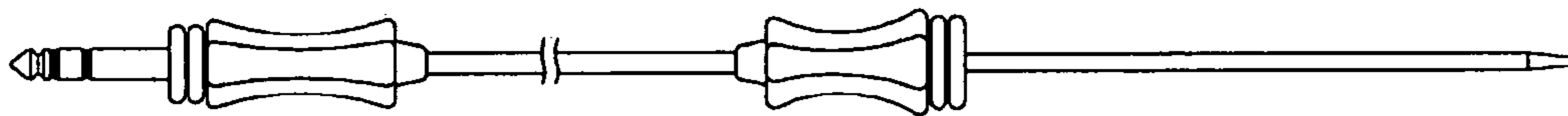


FIG. 3



FIG. 4



FIG. 5

