



US00D586242S

(12) **United States Design Patent**
Schoepfer

(10) **Patent No.:** **US D586,242 S**
(45) **Date of Patent:** **** Feb. 10, 2009**

(54) **WATCH**

(75) Inventor: **Eddy Schoepfer**, Gorgier (CH)

(73) Assignee: **Breitling SA**, Grenchen (CH)

(**) Term: **14 Years**

(21) Appl. No.: **29/289,259**

(22) Filed: **Jul. 13, 2007**

(30) **Foreign Application Priority Data**

Feb. 14, 2007 (WO) DM/068 573

(51) **LOC (9) Cl.** **10-02**

(52) **U.S. Cl.** **D10/39**

(58) **Field of Classification Search** D10/30-39,
D10/122-132; 368/276, 281, 282, 285, 288,
368/308, 319, 28, 80, 232, 223, 228
See application file for complete search history.

(56) **References Cited**

U.S. PATENT DOCUMENTS

- D77,439 S * 1/1929 Stegeman D10/38
- D83,533 S * 3/1931 Gruen D10/125
- 2,004,685 A * 6/1935 Best 24/265 WS
- D244,761 S * 6/1977 Sulek D10/38
- D269,767 S * 7/1983 Houlihan et al. D10/38
- D278,130 S * 3/1985 Houlihan et al. D10/38
- D404,319 S * 1/1999 Deleskiewicz D10/32
- D420,293 S * 2/2000 Parmigiani D10/30
- D440,887 S * 4/2001 Tripet D10/32
- D444,077 S * 6/2001 Blondin D10/39
- D452,171 S * 12/2001 Bodino D10/32
- D455,084 S * 4/2002 Mauboussin D10/39
- D455,970 S * 4/2002 Chia-Jeng D10/39
- D462,278 S * 9/2002 Wunderman D10/32
- D466,033 S * 11/2002 Dubarry D10/32
- D473,803 S * 4/2003 d'Origny D10/39
- D485,767 S * 1/2004 Lalo D10/30

- D487,230 S * 3/2004 Dubarry D10/39
- D490,000 S * 5/2004 Lassigne D10/32
- D491,473 S * 6/2004 Afshar D10/32
- D491,820 S * 6/2004 Bitetto D10/39
- D493,111 S * 7/2004 Afshar D10/32
- D494,072 S * 8/2004 Bitetto D10/39
- D494,477 S * 8/2004 Lalo D10/30
- D496,873 S * 10/2004 Nataf D10/125
- D497,811 S * 11/2004 Modolo D10/32
- D505,340 S * 5/2005 Lalo D10/30
- D508,421 S * 8/2005 Diltoer D10/39
- D510,707 S * 10/2005 Cheng D10/30
- D518,389 S * 4/2006 Jorst et al. D10/38
- D524,175 S * 7/2006 Zanette D10/38
- D531,063 S * 10/2006 Reginelli D10/32
- D531,524 S * 11/2006 Behling D10/38
- D548,625 S * 8/2007 Schoepfer D10/39
- D553,535 S * 10/2007 d'Origny D10/124
- D564,370 S * 3/2008 Bove et al. D10/38
- D564,908 S * 3/2008 Chodat D10/38

* cited by examiner

Primary Examiner—Lucy Lieberman

(74) *Attorney, Agent, or Firm*—Gottlieb, Rackman & Reisman

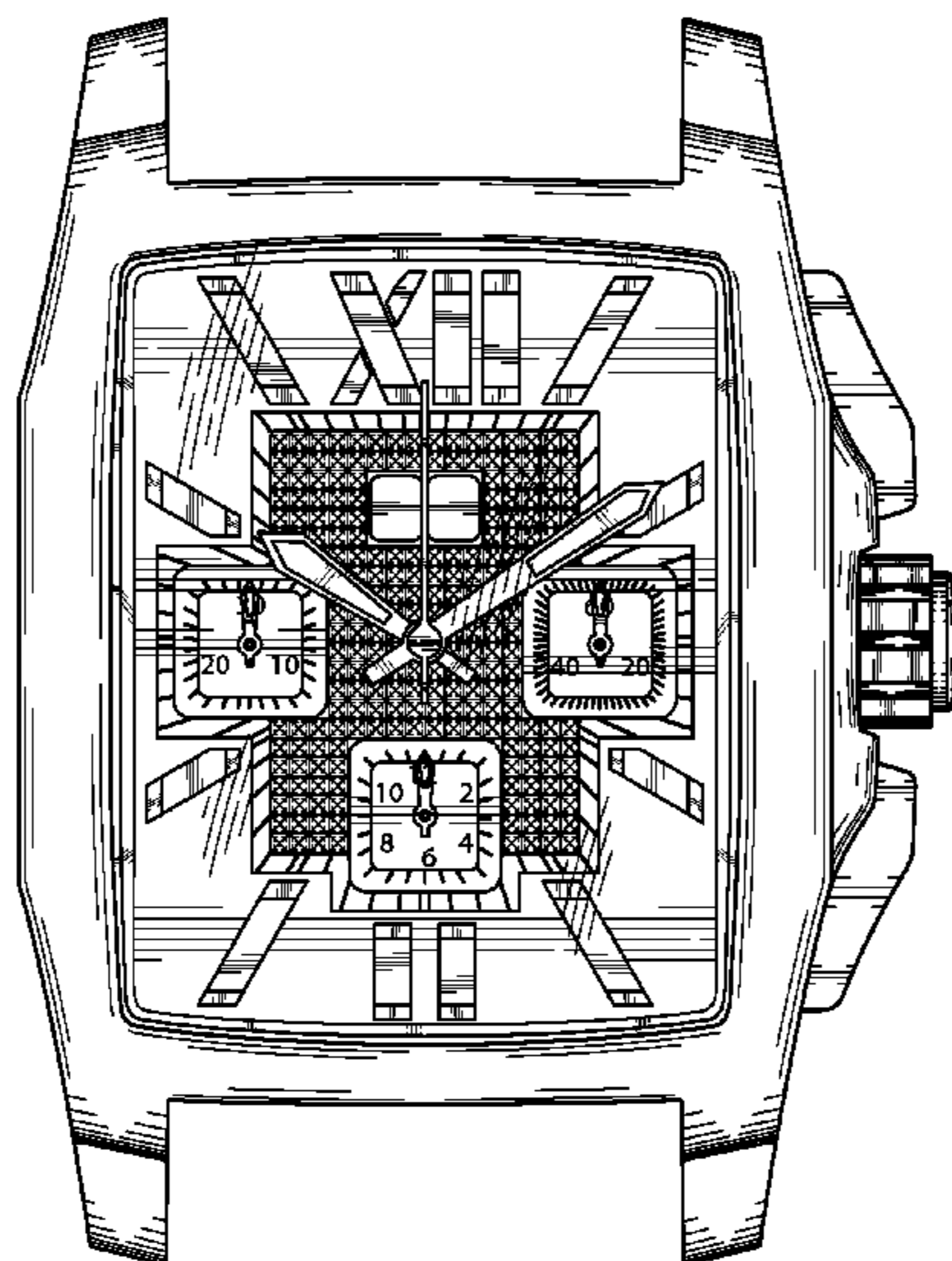
(57) **CLAIM**

The ornamental design for a watch, as shown.

DESCRIPTION

FIG. 1 is a front elevation of a watch showing my new design;
FIG. 2 is a rear elevation thereof;
FIG. 3 is a perspective view thereof;
FIG. 4 is a left side elevational view thereof;
FIG. 5 is a right side elevational view thereof;
FIG. 6 is a bottom plan view thereof; and,
FIG. 7 is a top plan view thereof.

1 Claim, 5 Drawing Sheets



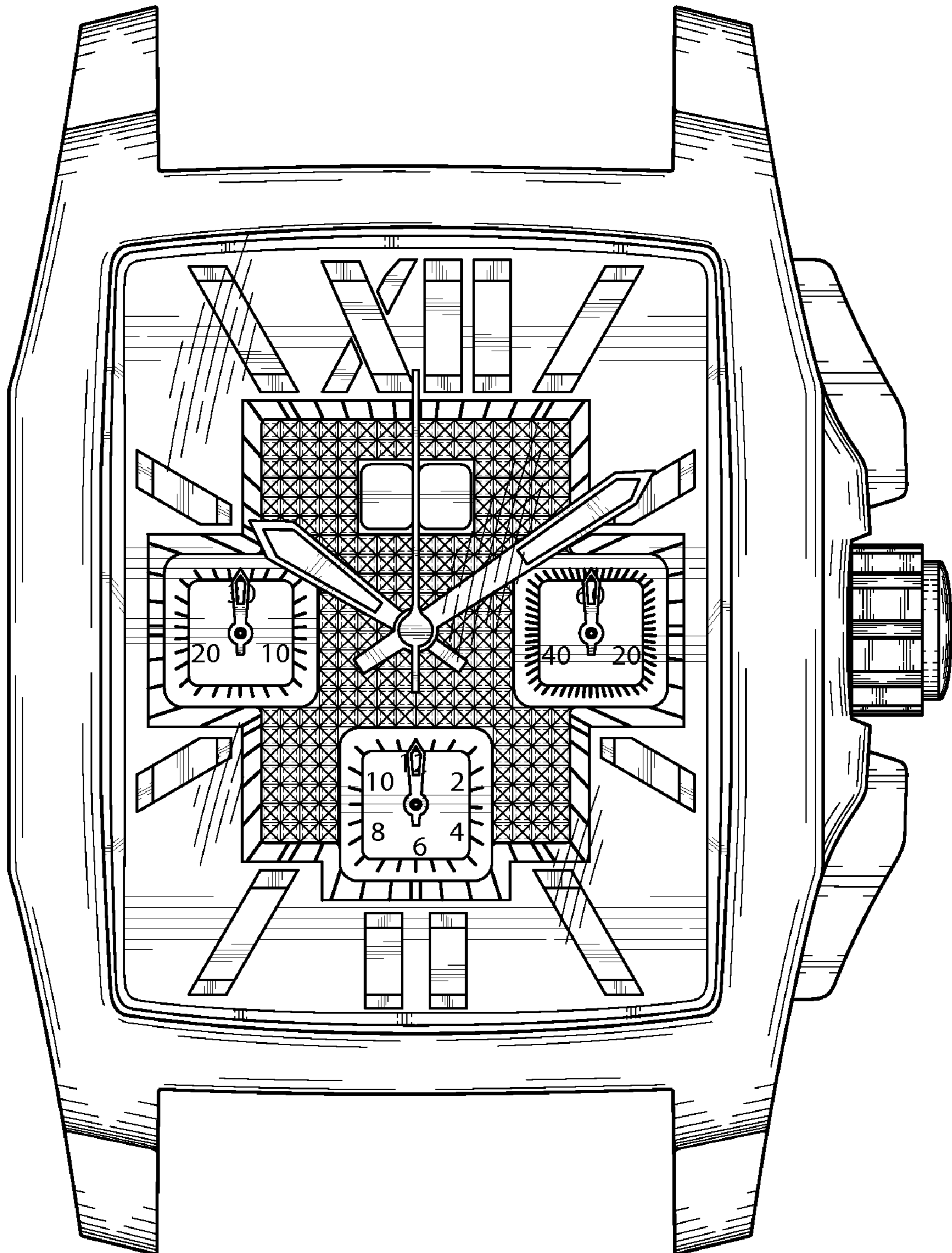


FIG. 1

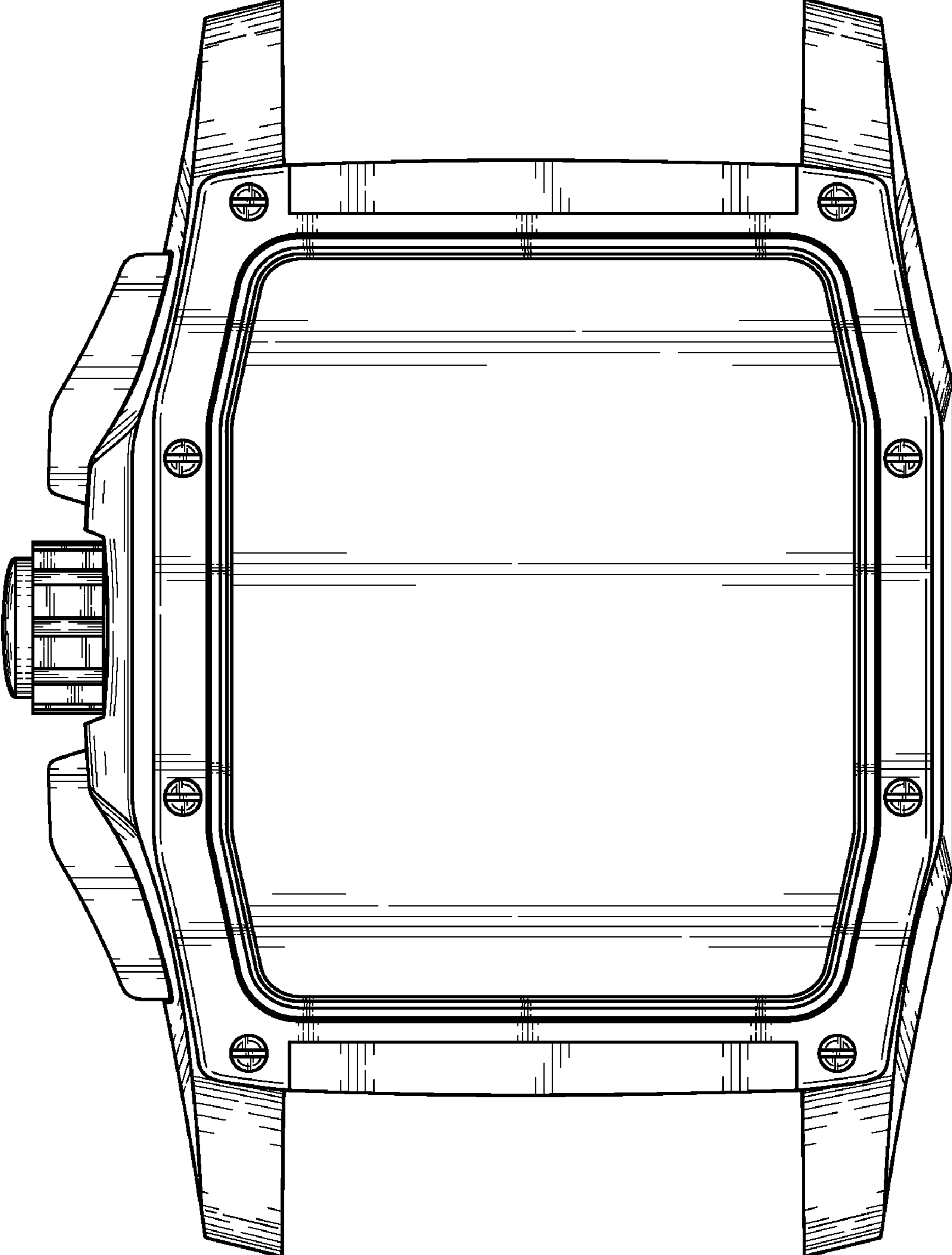


FIG. 2

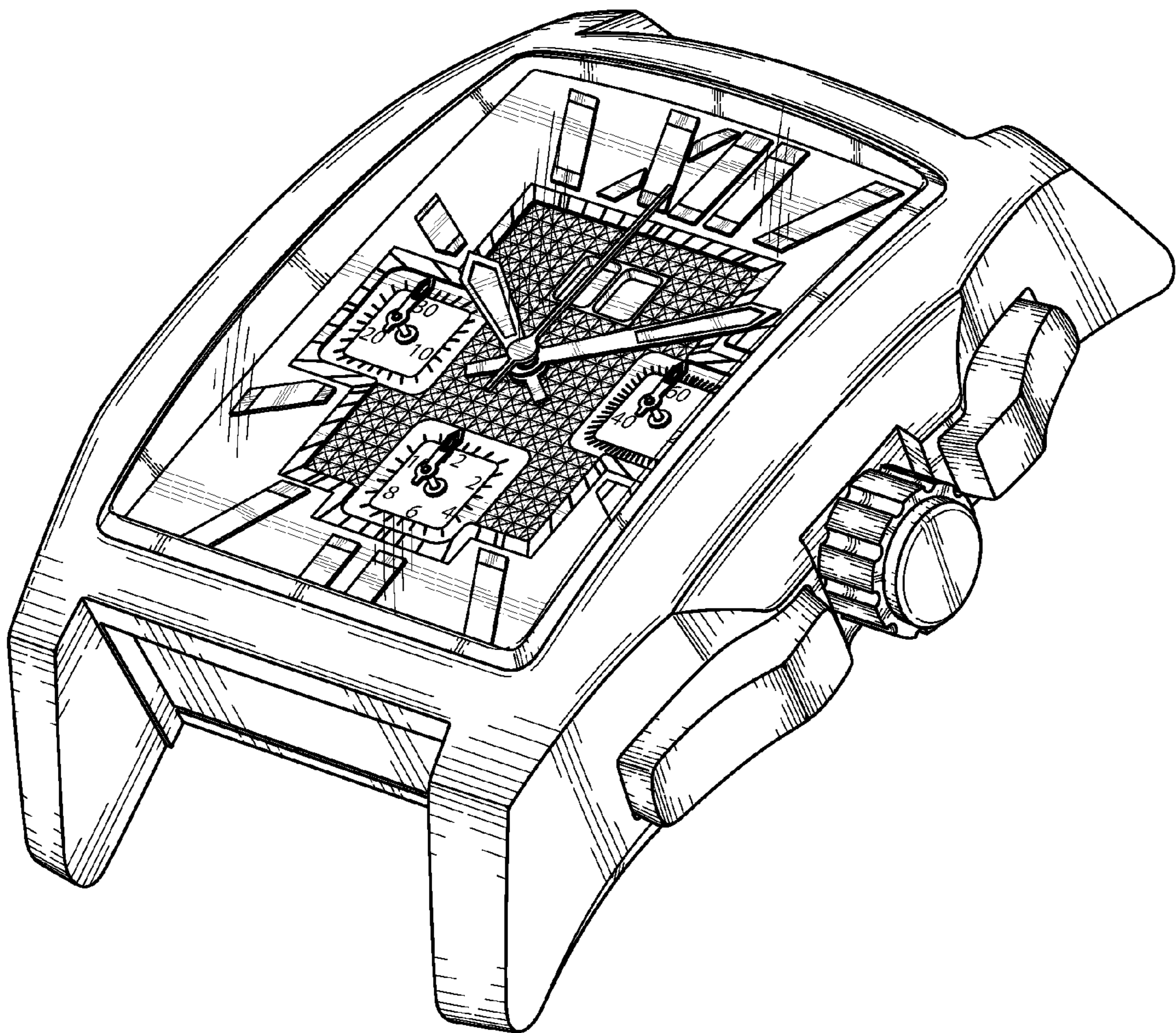


FIG. 3

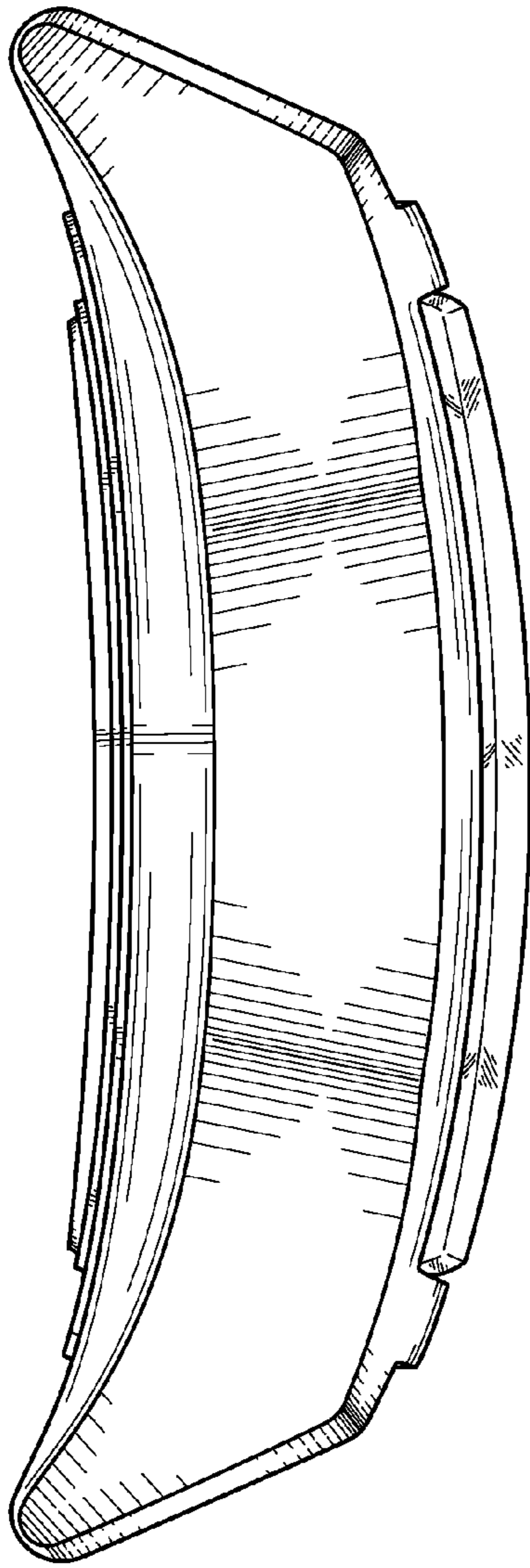


FIG. 4

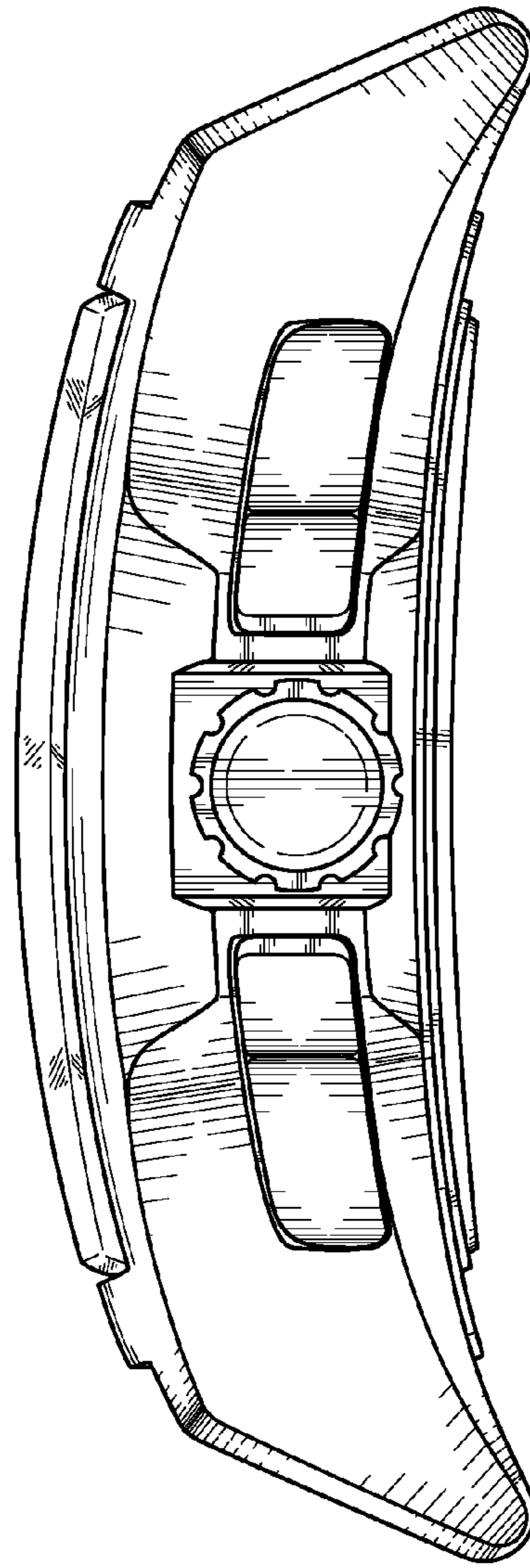


FIG. 5

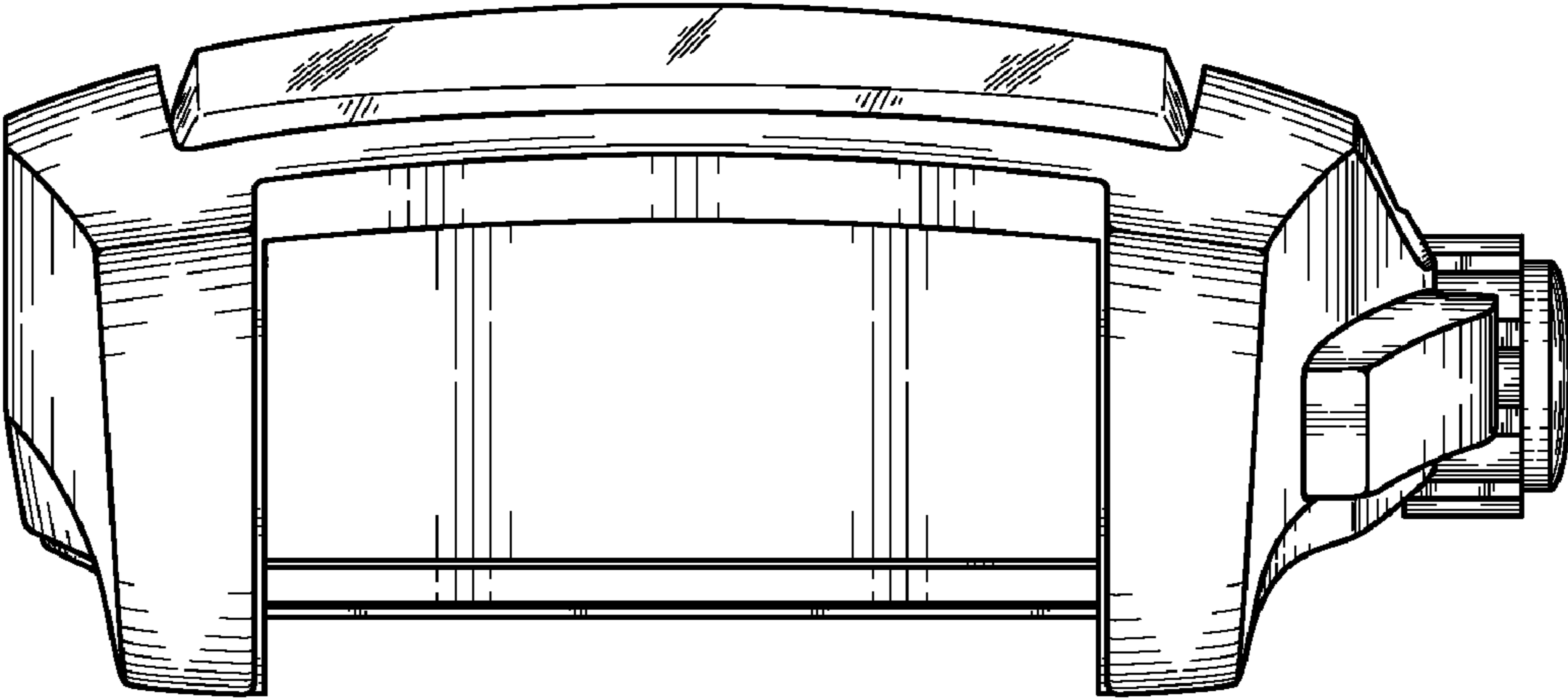


FIG. 6

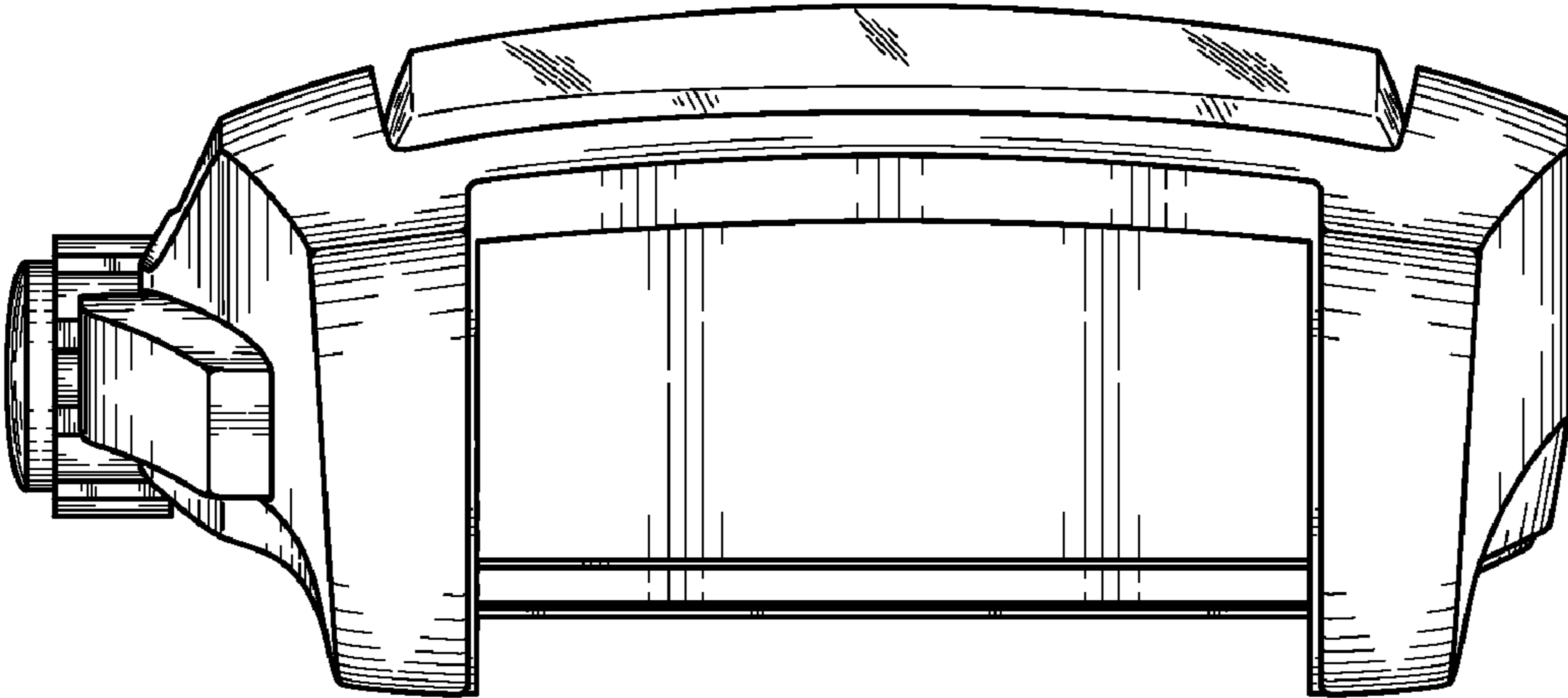


FIG. 7