



US00D586239S

(12) **United States Design Patent**
Modolo

(10) **Patent No.:** **US D586,239 S**
(45) **Date of Patent:** **** Feb. 10, 2009**

(54) **WRISTWATCH**

(75) Inventor: **Dino Modolo**, La Chaux-de-Fonds (CH)

(73) Assignee: **Bedat & Co. SA**, Geneva (CH)

(**) Term: **14 Years**

(21) Appl. No.: **29/322,789**

(22) Filed: **Aug. 12, 2008**

(30) **Foreign Application Priority Data**

Apr. 4, 2008 (CH) 135009

(51) **LOC (9) Cl.** **10-02**

(52) **U.S. Cl.** **D10/32**

(58) **Field of Classification Search** D10/30-39,
D10/122-132; 368/276, 281, 282, 285, 223,
368/228, 232, 80; D11/3

See application file for complete search history.

(56) **References Cited**

U.S. PATENT DOCUMENTS

D40,127 S *	7/1909	Starkey	D10/126
1,454,322 A *	5/1923	Loeb	368/277
D310,048 S *	8/1990	Dumas	D10/126
D323,992 S *	2/1992	Coveri	D10/32
D390,130 S *	2/1998	Kennedy	D10/32
D456,726 S *	5/2002	Finazzi	D10/39
D458,853 S *	6/2002	Finazzi	D10/39
D471,823 S *	3/2003	Dahmen	D10/32

D473,478 S *	4/2003	d'Origny	D10/39
D517,929 S *	3/2006	Rabassa	D10/39
D528,443 S *	9/2006	Bedat	D10/39
D542,676 S *	5/2007	Cheng	D10/38
D553,020 S *	10/2007	Sirmakes	D10/32
D565,429 S *	4/2008	Modolo	D10/32
D567,112 S *	4/2008	Giannini	D10/31
D567,678 S *	4/2008	Iff	D10/39
D570,712 S *	6/2008	Cattin	D10/32

* cited by examiner

Primary Examiner—Lucy Lieberman

(74) *Attorney, Agent, or Firm*—Sughrue Mion, PLLC

(57) **CLAIM**

The ornamental design for a wristwatch, as shown and described.

DESCRIPTION

FIG. 1 is a front and right side perspective view of a wristwatch showing my new design;

FIG. 2 is a front elevation thereof;

FIG. 3 is a rear elevation thereof;

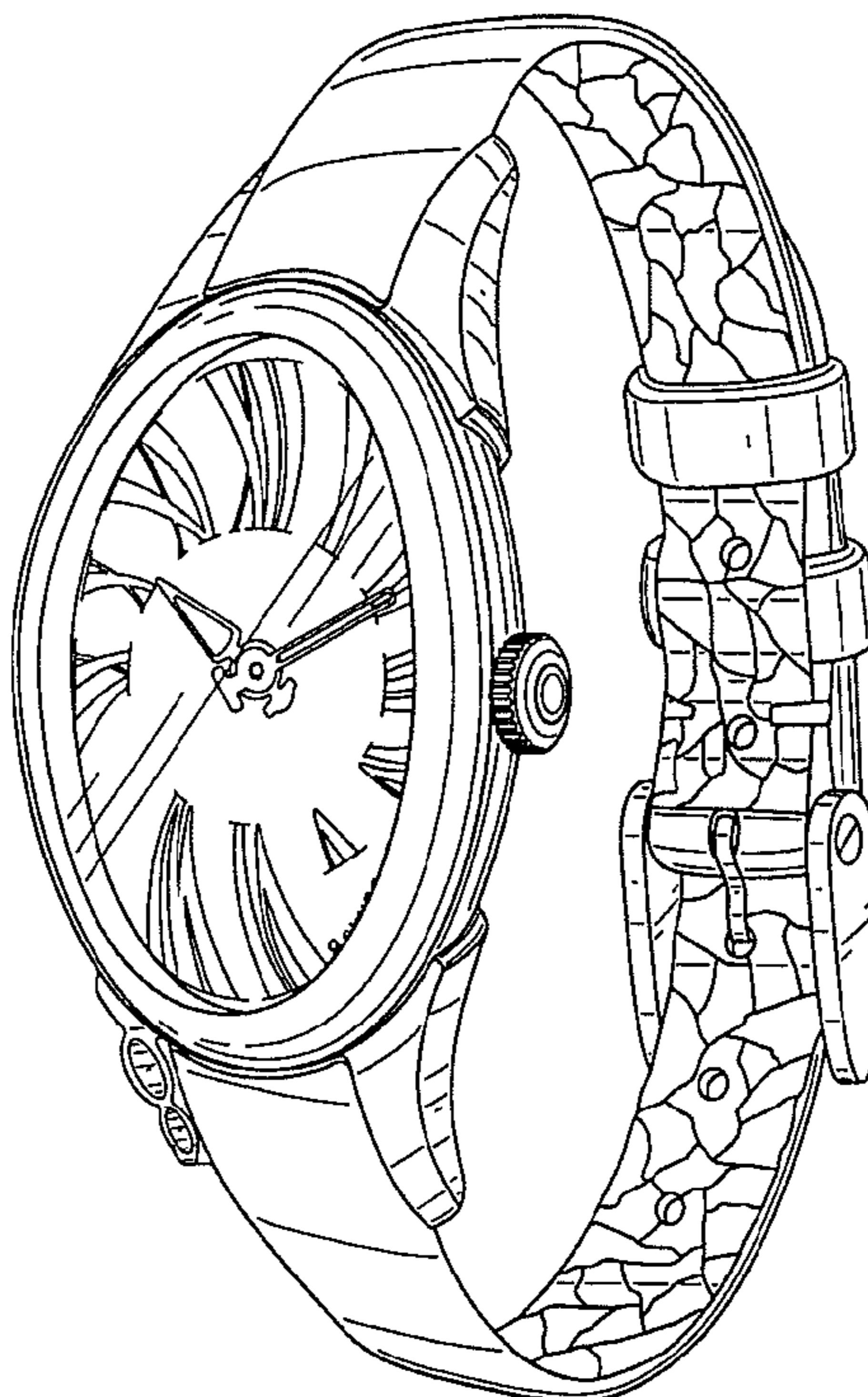
FIG. 4 is a right side elevational view thereof;

FIG. 5 is a top plan view thereof;

FIG. 6 is a left side elevational view thereof; and,

FIG. 7 is a bottom plan view thereof.

1 Claim, 2 Drawing Sheets



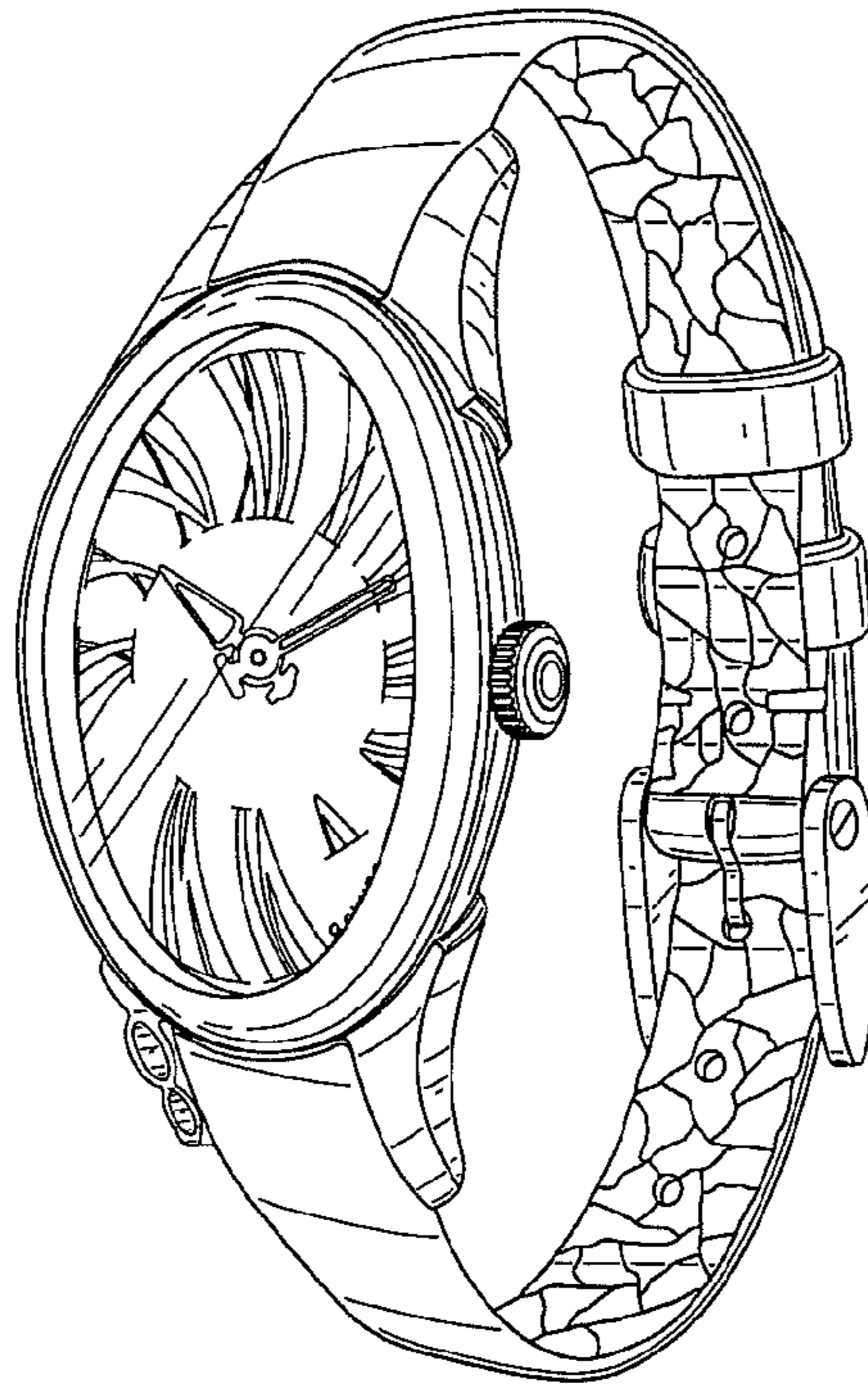


FIG. 1

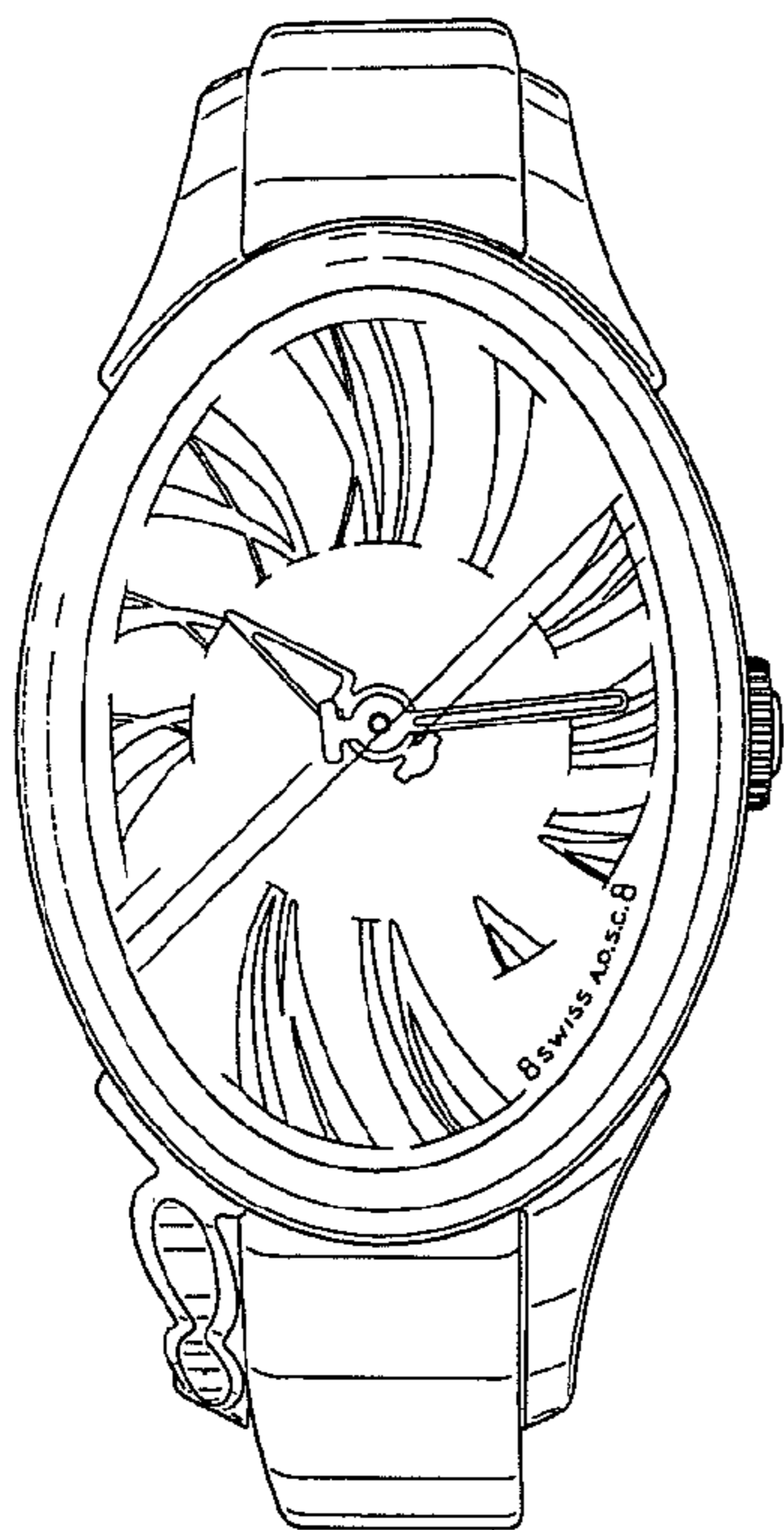


FIG. 2

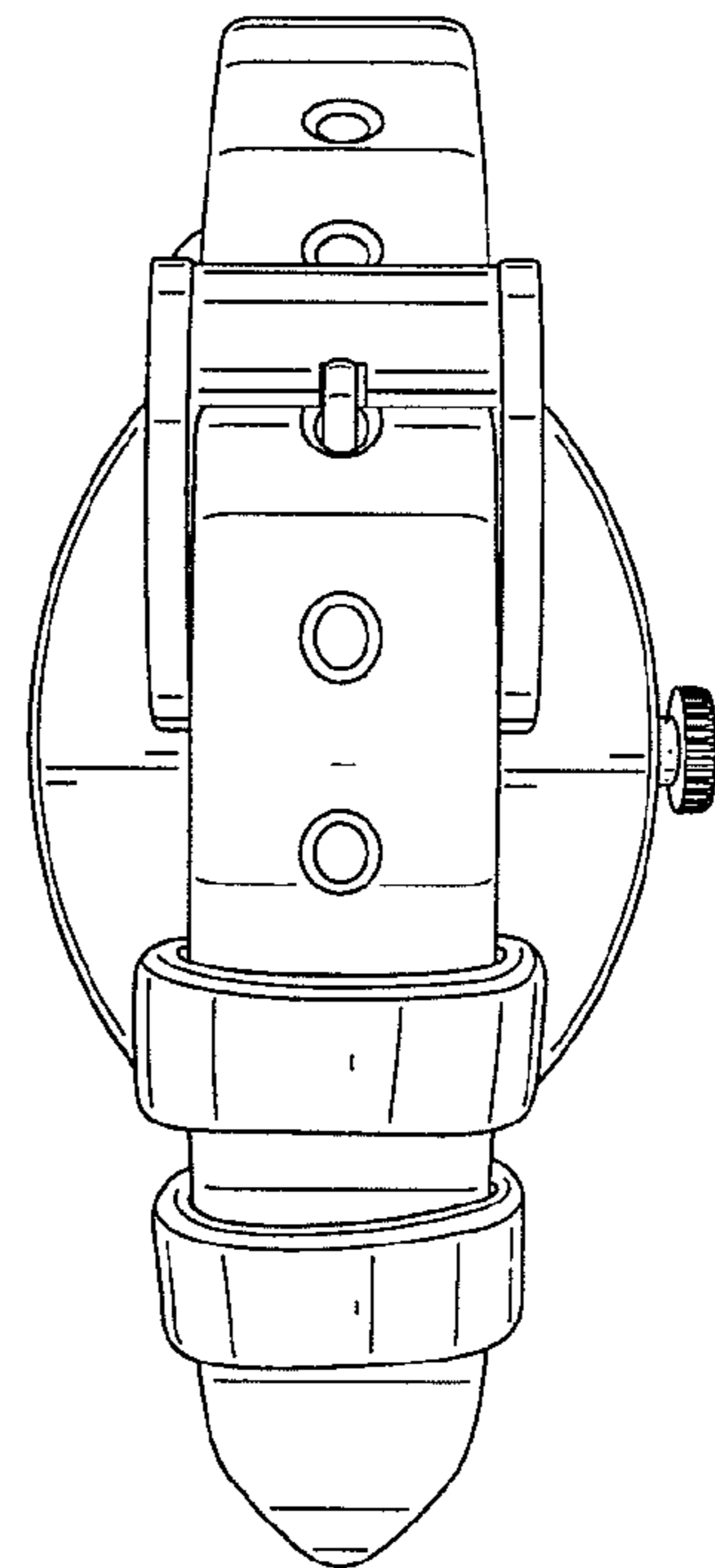


FIG. 3

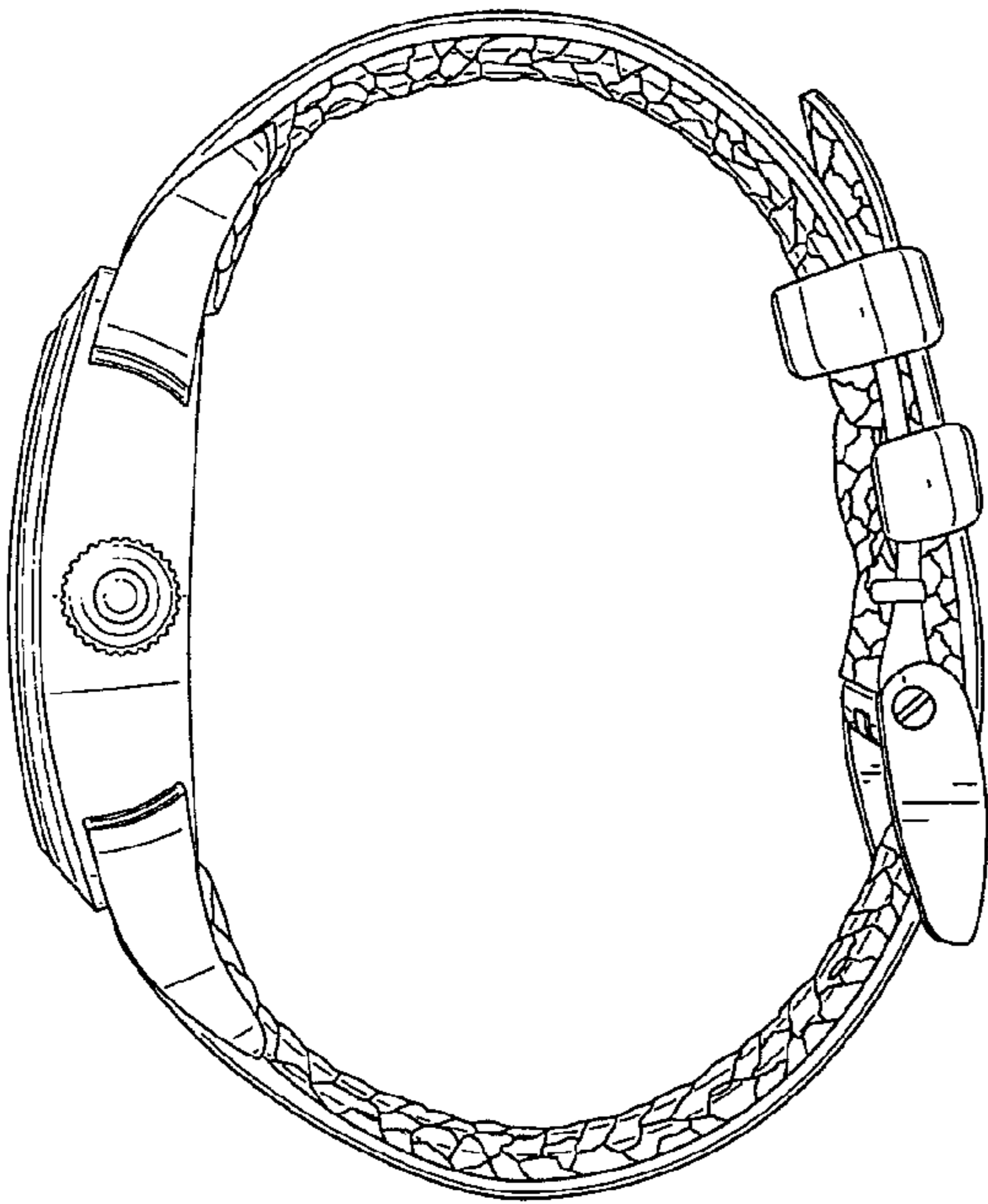


FIG. 4

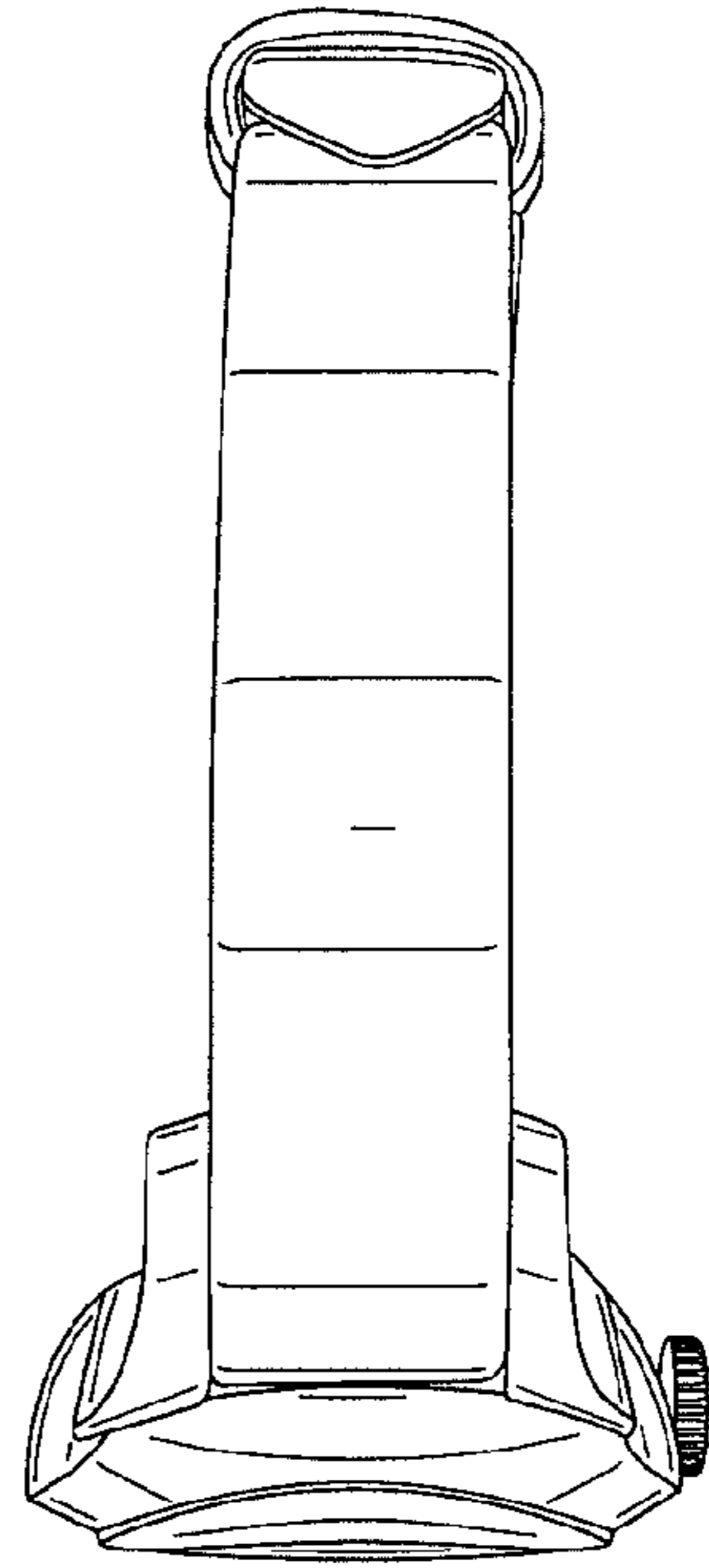


FIG. 5

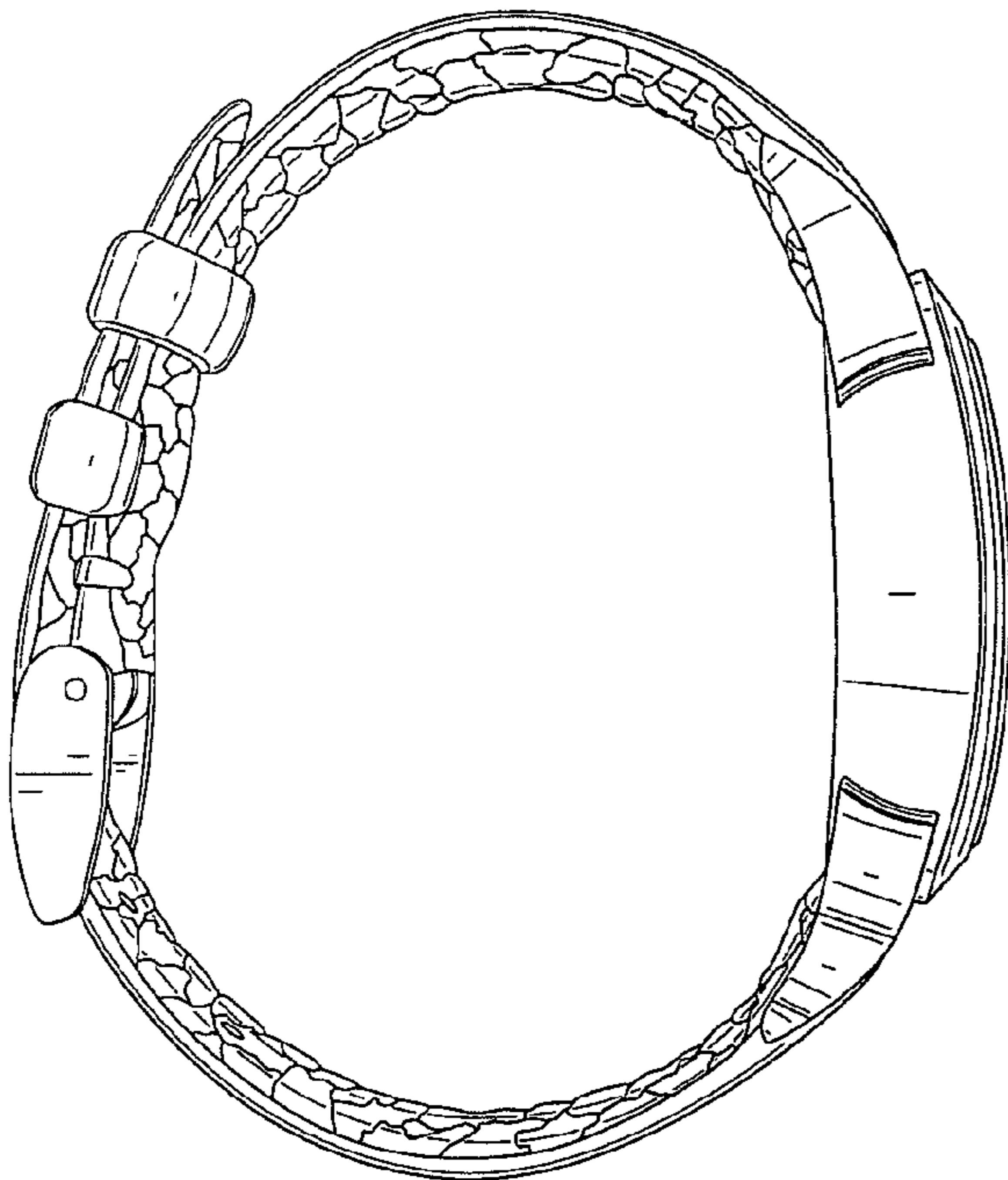


FIG. 6

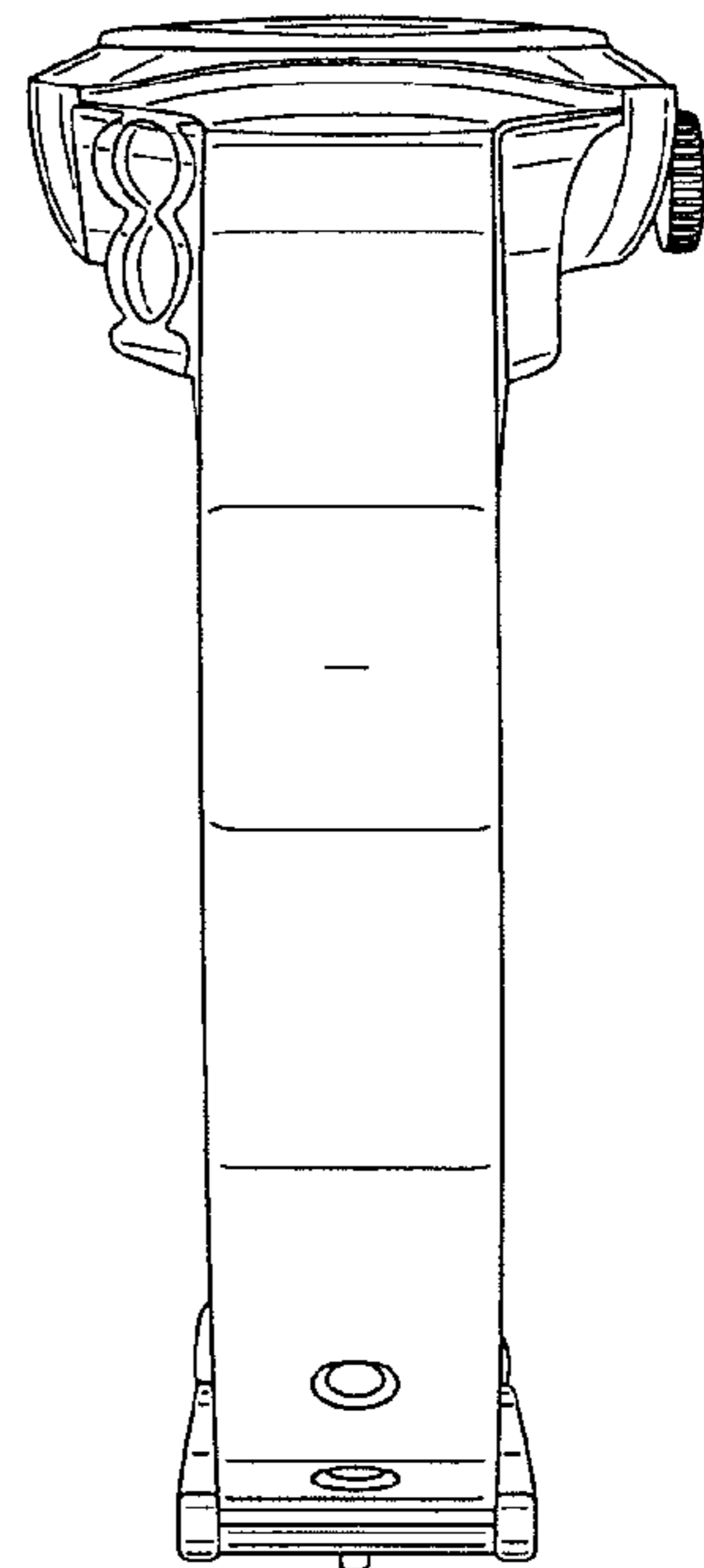


FIG. 7